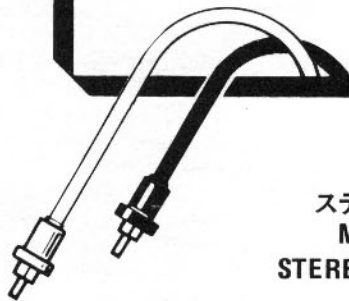
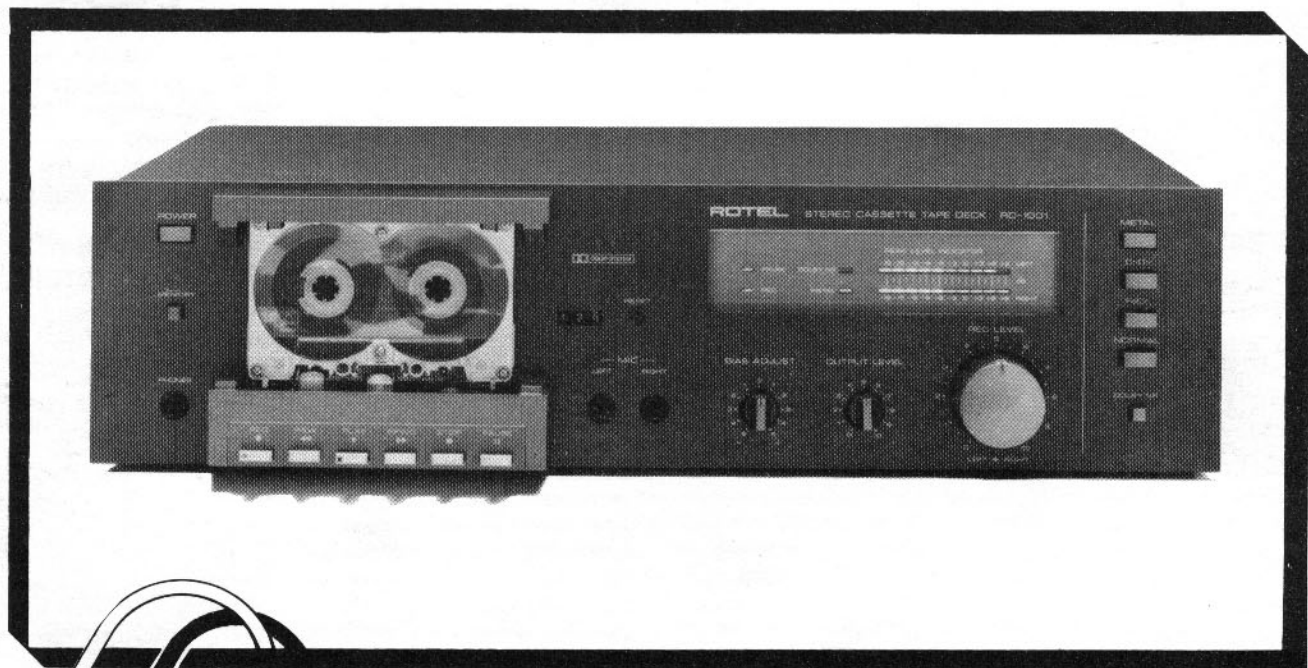


日本語
ENGLISH
DEUTSCH
FRANCAIS
NEDERLANDS
ESPAÑOL
ITALIANO
SVENSKA

OWNER'S MANUAL

Quality. Uncompromised.

ROTEL®



メタル対応
ステレオカセットデッキ
METAL CAPABILITY
STEREO CASSETTE DECK

RD-1001

WARNING: TO PREVENT FIRE OR SHOCK HAZARD, DO NOT EXPOSE THIS APPLIANCE TO RAIN OR MOISTURE

Write your SERIAL NUMBER here.
The number is located near the name plate on the unit's rear panel.

THE ROTEL CO., LTD.

1-36-8 Ohokayama, Meguro-ku, Tokyo, Japan

INTRODUCTION

We at Rotel want to thank you for purchasing our audio product. Rotel audio products are designed to use the latest electronic technology, and they incorporate our long experience as a specialist manufacturer of audio equipment. We are confident that you will find satisfaction in the high quality sound and top performance, and that you will find pleasure in the functional beauty achieved through human-engineering concept. Before starting operation, please read this instruction manual thoroughly and acquaint yourself with the proper mode of using the unit and all its connections.

We hope you will enjoy top-notch performance for many years to come.

POWER SUPPLY CONNECTION

For power the unit requires the normal house electrical current (AC). You may simply plug the unit into a wall outlet, or into your amplifier's switched or unswitched AC outlet. If it is plugged into a switched outlet, by leaving the power switch of the unit on, you will be able to maintain switching control for the RD-1001 with your amplifier. If it is connected to an unswitched outlet, like connecting to a wall outlet you must use the RD-1001's own power switch for switching control.

CAUTION: Do not apply power without first making sure the proper connections are completed. If you live in U.K. and your unit comes with 2-core cord without a plug, be sure to read the exclusive caution for U.K.

EXCLUSIVE NOTE FOR U.K.

If your unit comes with a 2-core cable without a plug, make certain live and neutral leads are connected to the proper terminals. Check that the terminals are screwed down firmly and no loose strands of wire are present.

IMPORTANT: The wires in this mains lead are coloured in accordance with the following code:

BLUE:	NEUTRAL
BROWN:	LIVE

As the colours of the wires in the mains lead of this apparatus may not correspond with the coloured markings identifying the terminals in your plug proceed as follows.

The wire which is coloured BLUE must be connected to the terminal which is marked with the letter N or coloured BLUE or BLACK. The wire which is coloured BROWN must be connected to the terminal which is marked with the letter L or coloured BROWN or RED.

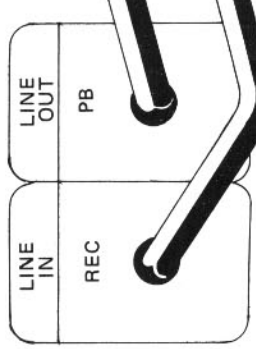
ENGLISH

INSTALLATION

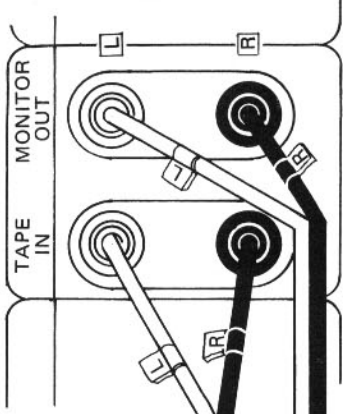
Be sure to place the unit in a level and flat place where it is free from humidity, vibration, high temperature and not exposed to direct sunlight. Be careful not to place the unit in a highly enclosed place such as near a wall or on a bookshelf. A poor ventilation will cause undesirable effects to the unit.

CONNECTION TO INTEGRATED AMPLIFIER

Two pairs of RCA cords for LINE IN/OUT extend out from the rear panel of the cassette deck. The cord from the LINE IN terminals of the deck should be plugged into the TAPE MONITOR OUT terminal of the amplifier, and the cord from LINE OUT terminal to the TAPE MONITOR IN terminal. RCA cords with white plugs are for left channel (L) connection, and cords with red plugs are for right channel (R).



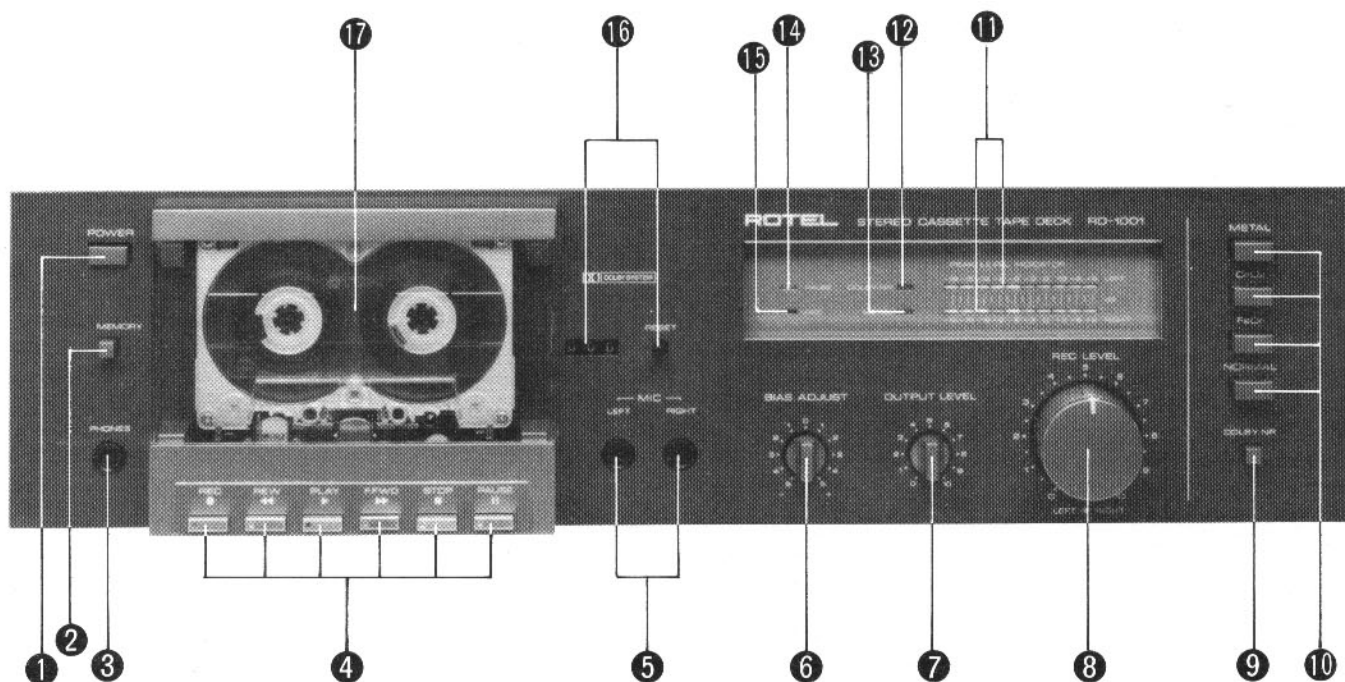
WHITE
RED



AMPLIFIER (REAR PANEL)

CASSETTE DECK

ENGLISH



SWITCHES AND CONTROLS

(1) Power Button

Depressed once, this button turns on power in the tape deck. Pressed a second time, the button is released and the unit is turned off.

(2) Memory Button

This button activates the unit memory of a starting position for playback or recording. When the button is depressed, the unit memorizes the "000" position on the tape counter. When REW button is depressed, the tape keeps winding until the counter reaches "999," at which point the tape stops automatically.

(3) Headphone Jack

For headphone listening from the deck, the headset is plugged into this jack. Before beginning, make sure the volume control of your amplifier is set to minimum. The Output Level Control knob (7) controls the volume level in headphone listening.

(4) Cassette Mechanism Controls

REC Button

To record, depress this button. The deck is now in the recording mode, and the tape should be winding.

REW Button

For rapid tape rewind, depress this button.

ENGLISH

PLAY Button

Depress this button to start the cassette for playback of recorded tape.

F.FWD Button

Depress this button to advance the tape rapidly forward.

STOP Button

Depress this button to stop the tape in any mode: record, playback, rewind or fast-forward. This button will release any transport button currently engaged.

PAUSE Button

Depress this button to stop the tape temporarily during recording or playback. To restart the tape, press this button a second time and return to the interrupted mode.

(5) Microphone Jacks

When making live recording with stereo microphones, insert the microphone plugs into these jacks. Make sure the right-hand microphone is connected to the right channel jack, and the left-hand microphone to the left channel jack. Be sure to unplug the microphones when recording from other sources.

(6) Bias Fine-adjust Control

This control lets you to obtain the optimum bias setting to match the property of tape being used when recording. Turn the knob towards the "+" side to increase the bias and towards "-" to decrease it. See "TAPE SELECTOR SETTING GUIDE" for details.

(7) Output Level Control

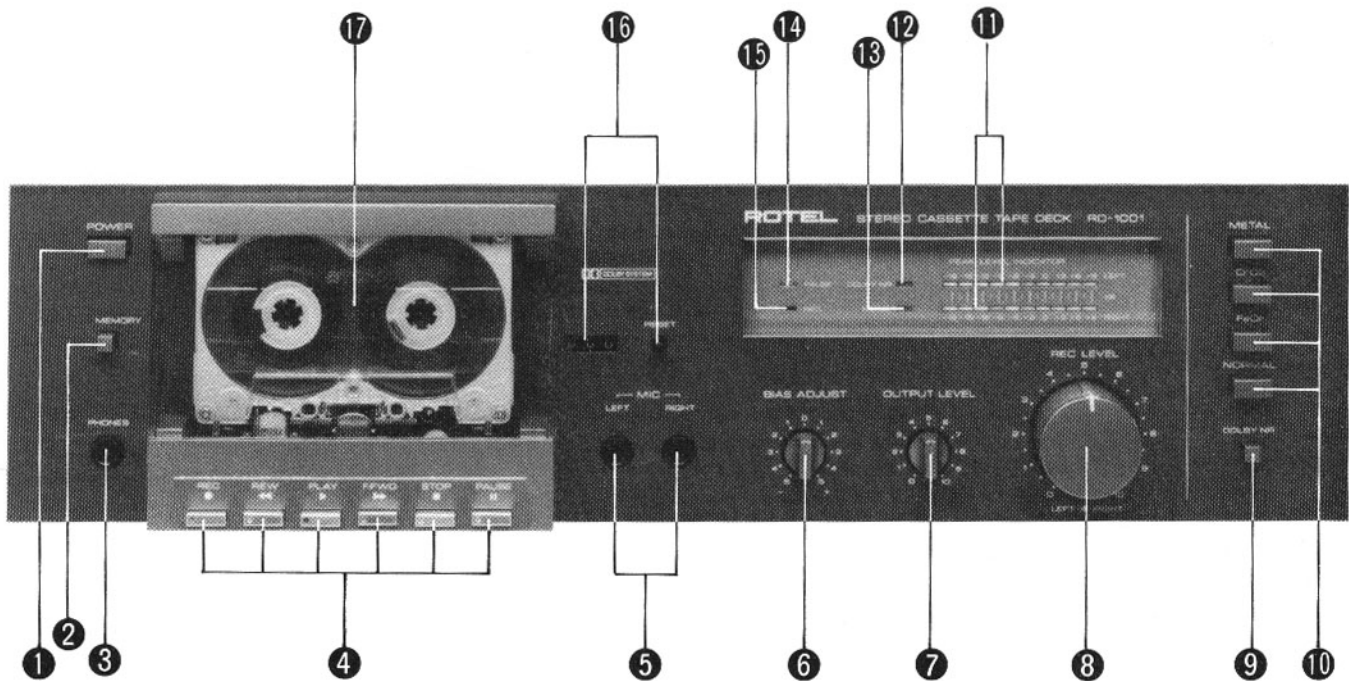
Used in playback. Turn the knob clockwise to increase level of output to be sent to the amplifier, and counterclockwise to decrease it. This control may be conveniently used to coordinate the output level of the deck with that of other program sources connected to the amplifier, such as tuner or turntable.

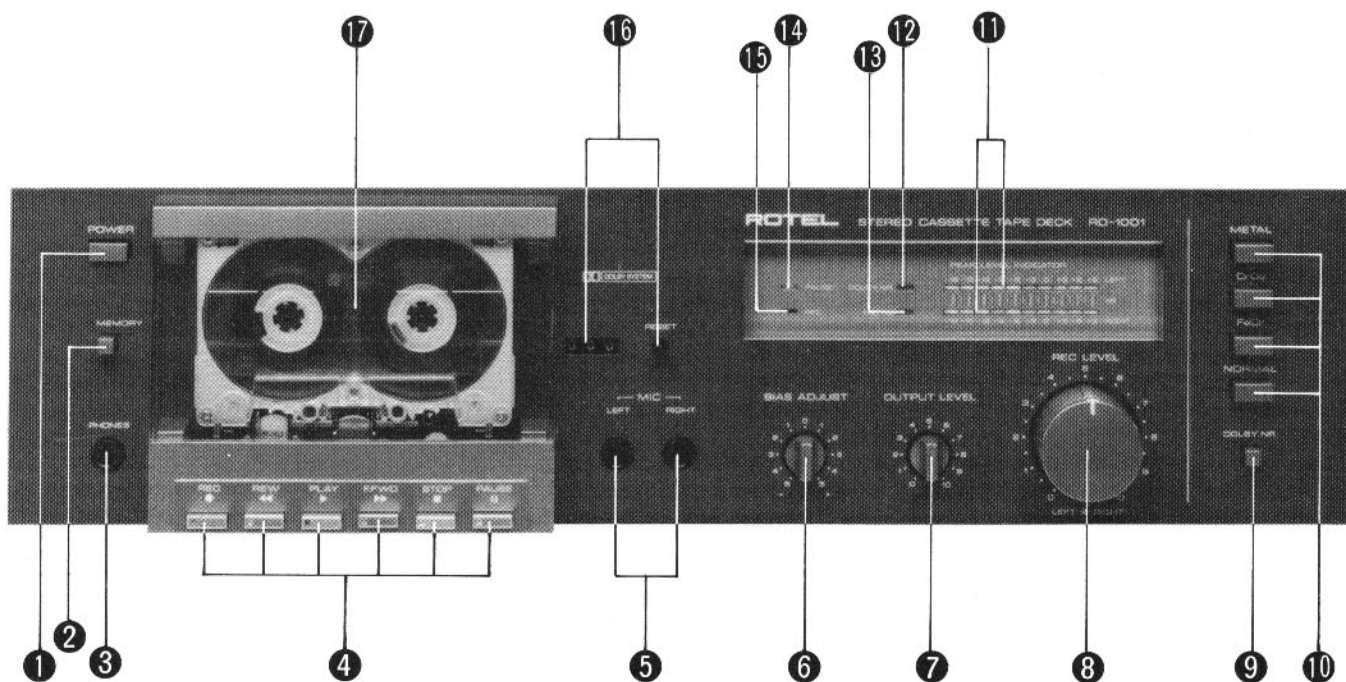
(8) Recording Level Control

Used to control the recording level of incoming signals, such as from a turntable, tuner, or microphones. This is a dual concentric knob which permits either separate or combined adjustment of both channels. Use the outer ring for the left channel, and the knob for the right channel.

(9) Dolby NR Switch

Depress this button to switch in the built-in Dolby NR circuit provided for high-frequency range noise reduction when you wish to record or





play back through Dolby NR circuit.

(10) Tape Selector

Used to select the appropriate recording bias and playback equalization, according to type of cassette tape used. Use the METAL button for metal tape, the CrO₂ button for chromium dioxide tape, the FeCr button for ferrichrome tape, and the NORMAL button for normal tape. See "TAPE SELECTOR SETTING GUIDE" for details of various brands of cassette tapes and their proper selector positions.

(11) Peak Level Indicator

Gives instantaneous display of recording or playback level for both left and right channels. Each row of 10 LEDs directly shows levels from -18dB to +9dB.

(12) Dolby NR Indicator

Glowes when Dolby NR switch is on, indicating the unit is in Dolby NR recording or playback mode.

(13) Metal Tape Indicator

Glowes when METAL button of the Tape Selector is depressed.

(14) PAUSE Indicator

Glowes to indicate tape motion is temporarily stopped when PAUSE button on the cassette control section is depressed.

(15) Recording Indicator

ENGLISH

Glows to indicate recording is in process when REC button on the cassette control section is depressed.

(16) Tape Counter and Reset Button

The three-digit tape counter indicates the amount of tape travel. Push the reset button to set the counter to "000." This counter is convenient in finding the beginning of a specific section of the tape or checking the amount of the remaining tape on a cassette.

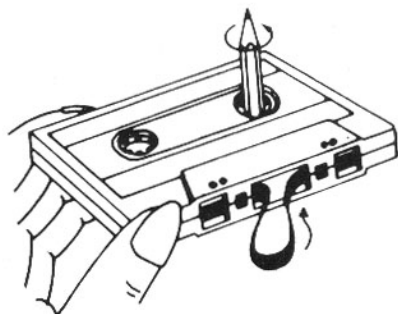
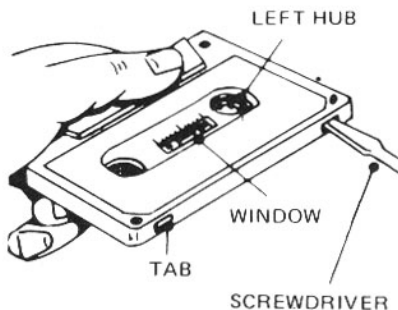
(17) Tape Holder

Cassette tape is loaded onto this holder.

TAPE SELECTOR SETTING GUIDE

TAPE SELECTOR POSITION	MANUFACTURE	BRAND	BIAS ADJUST CONTROL
NORMAL	TDK	OD	0
		AD	0
	FUJI FILM	Range 6	- 5
	SONY	AHF	0
		BHF	- 5
	MAXELL	UD	- 1
		XLI	- 1
SCOTCH	MASTER 120	- 2	
FeCr	SONY	DUAD	0
	BASF	FCR	- 3
CrO ₂	TDK	S A	- 5
	FUJI FILM	RANGE 4X	- 5
	SONY	JHF	0
	MAXELL	XL II	0
	SCOTCH	MASTER II	- 5
	BASF	SCR	- 2
METAL	TDK	MA	0
	FUJI FILM	Suger Range	0
	SONY	METALLIC	0
	MAXELL	MX	- 5
	SCOTCH	METAFINE	- 2

ENGLISH



tab and gently pry the tab off. Be sure the tab falls free from the cassette.

2. If one side only has been recorded, place the cassette on a table just as it has been removed from the recorder, with the side recorded facing up and the exposed tape area facing you. You should then remove the tab in the left-hand corner to prevent erasure of that side of the tape.

If you later wish to record over a previously recorded tape, simply place a piece of adhesive tape over the opening. This will allow you to make a new recording. Removal of the tape after recording will again insure against accidental erasure.

The cassette tape, when wound loosely on either hub, is likely to jam around the capstan and pinch roller during recording or playback. Therefore, if the tape is loose, insert a pencil into the more tightly wound hub, and turn it with the pencil until the slack is taken up. Always be sure to check that the tape is wound tightly before inserting a cassette in your deck.

BEFORE RECORDING OR PLAYBACK

1. Be certain that power connection and connection with amplifier are properly made.
2. When recording, be sure the safety tabs on the cassette tape are not removed.
3. Be sure to unplug the microphones from the deck when recording from other sources.
4. To load the cassette tape, hold it by the sides and fit the top under the upper projecting section of the cassette holder. Then gently push in the bottom portion of the cassette tape so that the two catches on the lower holder secure the cassette snugly. To unload the cassette, hold it by the sides, and first detach it from the lower holder by pulling gently. Then detach from the upper holder.
5. Be sure to attach the protection cover to the tape holder when the unit is not in use.

RECORDING

- When recording with microphones, the microphone plugs must be inserted properly into the left and right microphone jacks.
 - When recording from line sources, choose the desired program (tuner, turntable, etc.) on your amplifier.
1. When you wish to record using Dolby NR circuit, set the Dolby NR switch to ON position.
 2. Set the Tape Selector according to type of tape used.*
 3. Turn on the deck Power switch.
 4. Press REC and PAUSE buttons simultaneously.
 5. Adjust the recording level for left and right channels with Recording Level control so that the level indicator reading does not exceed 0dB position too frequently. (See figure.)

PEAK LEVEL INDICATOR



ENGLISH

6. After adjusting recording level, press the PAUSE button again to put the unit into recording mode and to start the tape.

7. Be careful to watch the level indication during recording as well. PAUSE button may be used to halt recording temporarily.

8. Press STOP button when recording is finished. When the end of the tape is reached, the REC button will automatically disengage and the tape stops.

* When setting the Tape Selector, also set the Bias Fine-adjust control to the appropriate position. See "TAPE SELECTOR SETTING GUIDE" for optimal setting.

PLAYBACK

1. When using Dolbyized tapes, set the Dolby NR switch to ON. For non-Dolbyized tapes, set the switch to OFF.

2. Set the Tape Selector to match the type of tape used.

3. Turn on the power switch on your amplifier, keeping its volume control set to minimum. When using headphones connected to the tape deck, the amplifier is not necessary.

4. Turn on the Power switch on the deck.

5. Depress PLAY button and playback will begin.

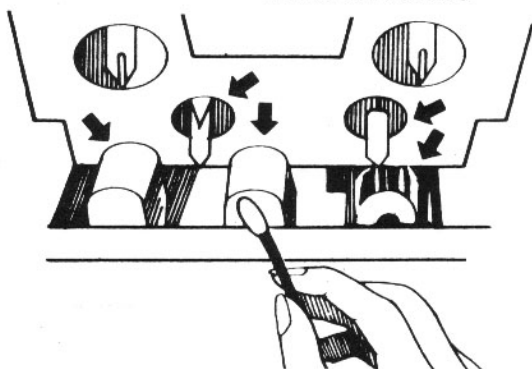
6. Using the Output Level control, adjust the output of the deck to the same level as other source, such as tuner or turntable, and set the volume control on the amplifier as desired. In headphone listening, the Output Level control will act as volume control.

7. To momentarily halt playback, depress the PAUSE button. When you wish to end playback, press the STOP button. When the tape comes to an end, it stops automatically and playback mode is disengaged.

HEAD CLEANING

The most frequent cause of failure to record in one or both channels, or of weak, distorted sound, is dirty tape heads and capstan. So, be sure to clean the heads, capstan, pinch roller and tape guides as often as possible using a "Q" tip dipped in ordinary rubbing alcohol or commercial liquid tape head cleaner. Thoroughly wipe the surface of the heads, capstan, roller and tape guide.

HEAD CLEANING



HEAD DEMAGNETIZING

The tape heads, capstan and tape guides gradually become magnetized with use, which will eventually affect the sound quality of your tapes. Demagnetizing should follow cleaning, but need not take place as often as cleaning, once after every 20 to 30 hours of use should suffice.

A demagnetizer may be purchased at a moderate cost from any dealer carrying tape recording accessories. Follow the instruction supplied with the demagnetizer.

Caution: Push the power switch off before you attempt demagnetizing.

SPECIFICATIONS

Heads	Sendust core (REC/PB) Low-interference shield-type ferrite/ permalloy combination (ERASE)		
Track	4-track/2-channel		
Tape Speed	4.8cm/sec.		
Motor	Electronically controlled DC motor		
Wow and Flutter0.1% (DIN) 0.05% (WRMS)		
Distortion (REC/PB, 400Hz)0.6% (METAL)		
Frequency Response			
Normal, LH30 to 14,000Hz \pm 3dB		
Chromium30 to 15,000Hz \pm 3dB		
FeCr30 to 16,000Hz \pm 3dB		
Metal30 to 17,000Hz \pm 3dB		
Signal-to-Noise Ratio	Dolby NR IN: 65dB (Chromium) Dolby NR OUT: 55dB		
Input Sensitivity/Impedance			
MIC0.3mV/10 kohms		
LINE25mV/47 kohms		
Output Level/Impedance			
LINE410mV/1 kohms		
Fast Wind Time (C-60)80 seconds		
Tape Selector	BIAS	EQUALIZER	BIAS ADJ.
Normal, LH100%	120 μ S	\pm 10%
Chromium150%	70 μ S	\pm 10%
FeCr110%	70 μ S	\pm 10%
Metal200%	70 μ S	\pm 10%

MISCELLANEOUS

Power Requirement120V/60Hz, 220V/60Hz, 240V/60Hz 120, 220, 240V/50-60Hz		
Power Consumption11 watts		
Dimensions (overall)W 430mm/16-15/16'' H 115mm/4-17/32'' D 294mm/11-9/16''		
Weight (net)5.2kg/11.44 lbs.		

Note: Specifications and design subject to modification without prior notice.

Dolby and Dolbyized are trademarks of Dolby Laboratories.
Noise reduction under license from Dolby Laboratories.