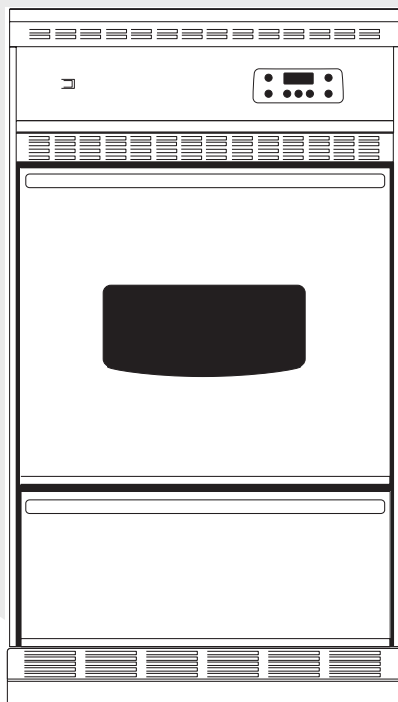


# Frigidaire

## Factory Parts Catalog



Product No.	FGB24L2ABD	FGB24L2ASD
	37454412C1064	37454412C1014
Series	24" gas	24" gas
Color	black	white
Market	North America	North America
Wiring Diagram	318046317	318046317
Owner's Guide	318200957	318200957
Installation Instructions	318201554	318201554
Service Data Sheet	318047420	318047420
Timer Guide	318200144	318200144

 **Electrolux**

Electrolux Major Appliances  
North & Latin America  
P.O. BOX 212378  
AUGUSTA, GA 30917

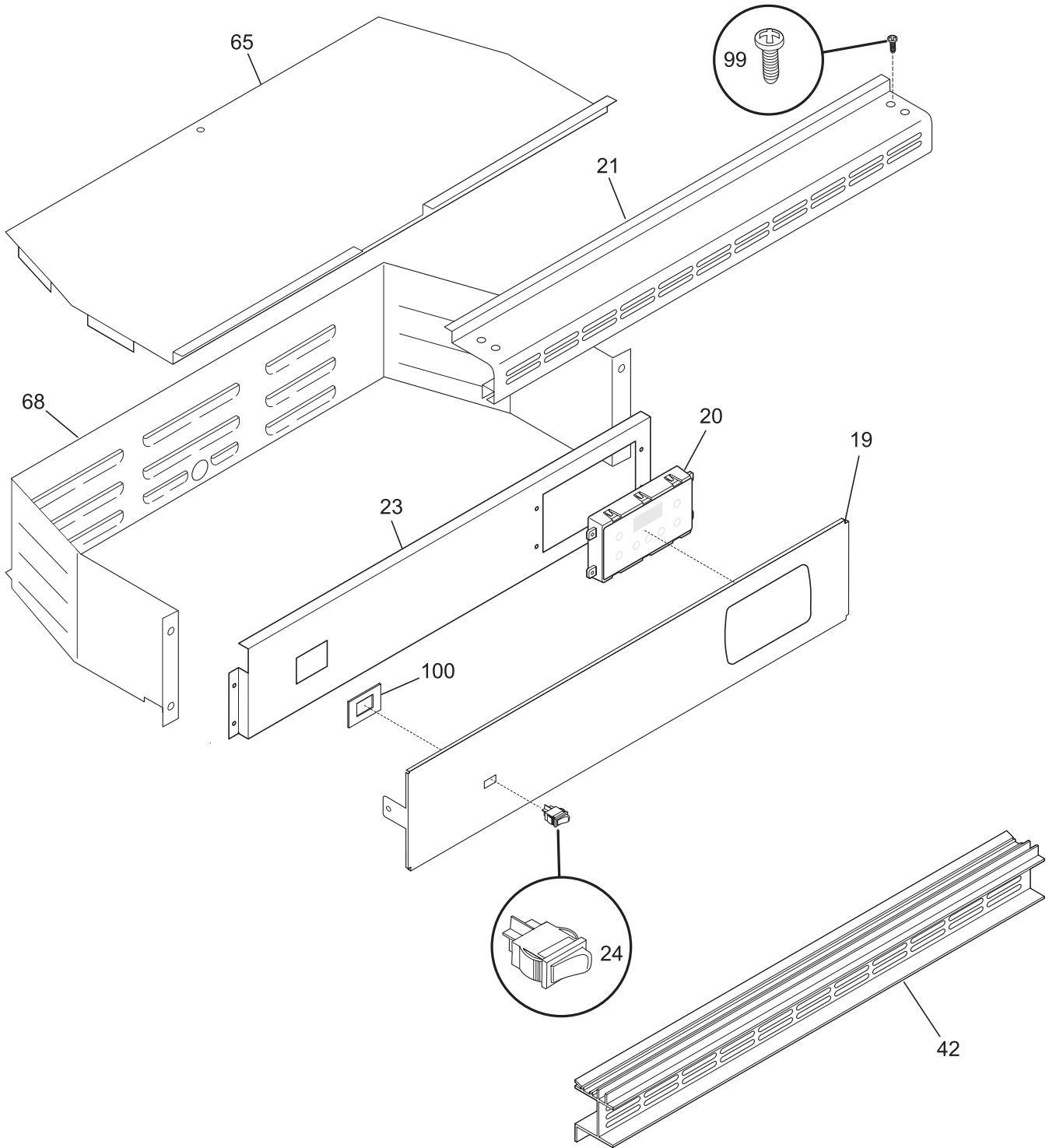
Publication No.  
**5995557047**  
09/12/15  
(EN/SERVICE/BJH)  
377

**SINGLE GAS WALL  
OVEN**

Model No.  
**FGB24L2A**

Copyright © 2009 Electrolux Home Products, Inc.  
All rights reserved.

**CONTROL PANEL**



LA9822G019A

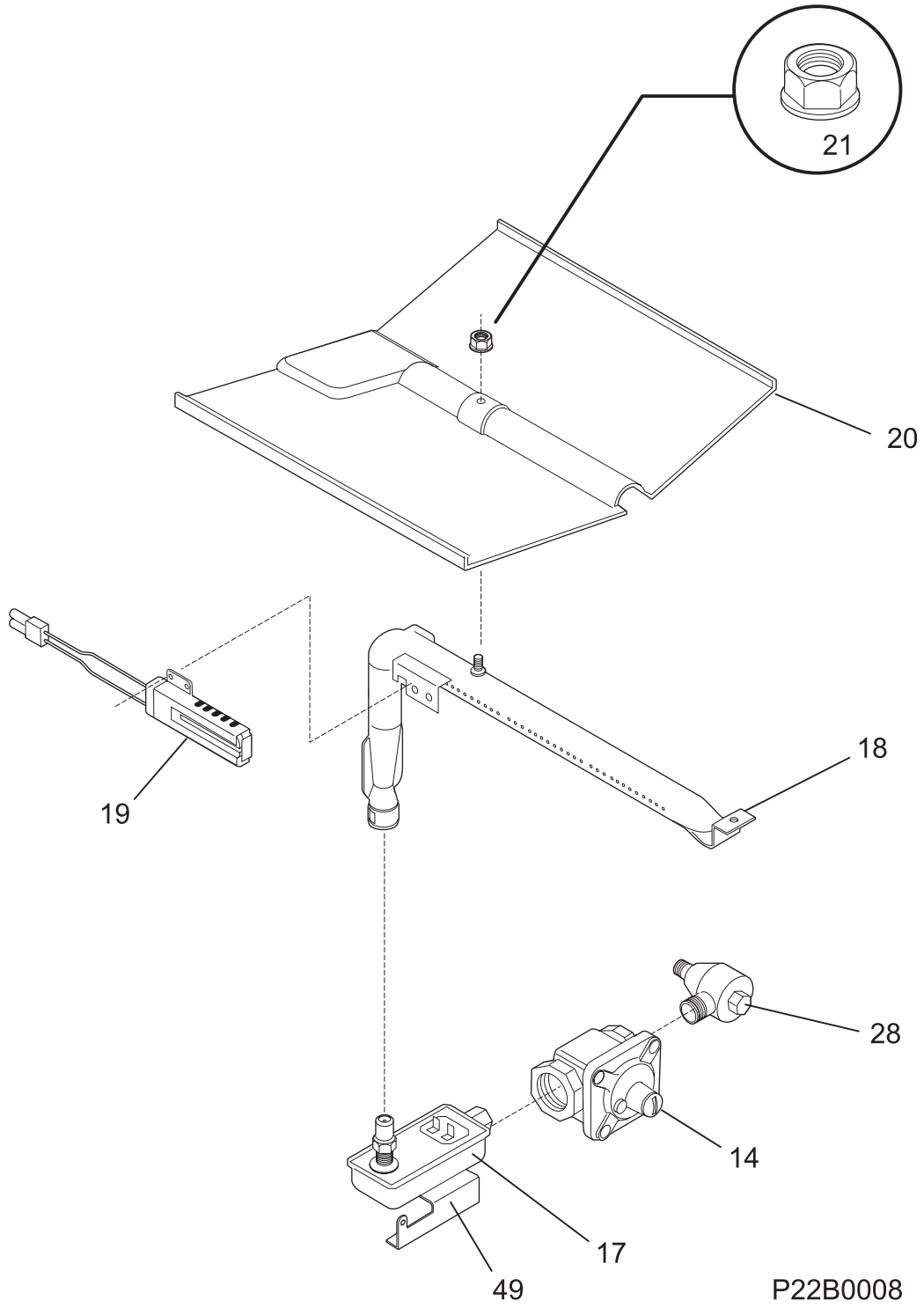
## CONTROL PANEL

---

*Model Index:*    **A** FGB24L2A (FGB24L2ABD)  
                           **B** FGB24L2A (FGB24L2ASD)

POS. NO	PART NO.		DESCRIPTION
19	7318234106	A -	Panel, control, black
19	7318234105	- B	Panel, control, white
20 #	7318185337	A -	Clock/Timer, EOC, black, ES100
20 #	7318185336	- B	Clock/Timer, EOC, white, ES100
20*	7318214401	A -	Overlay, clock, black
20*	7318214400	- B	Overlay, clock, white
21	7318176500	A -	Trim, top, black
21	7318176501	- B	Trim, top, white
23	7318015037	A B	Bracket, clock/timer mtg
24 #	7316005602	A -	Switch, rocker, black
24 #	7316005607	- B	Switch, rocker, white
42	7318027101	A -	Trim, center vent, black
42	75303271089	- B	Trim, center vent, white
65	7318038804	A B	Cover, control housing
68	75303302397	A B	Housing, control
99	75303307406	A -	Screw, 6-32 x 3/8, black, (2)
99	75303131766	- B	Screw, 6-32 x 0.375, top trim
100	7318112200	A B	Plate, mounting, rocker switch
*	75303211311	A B	Screw, 8-18 x 0.500
*	75303308458	A B	Screw, 10-24, (2)

**BURNER**

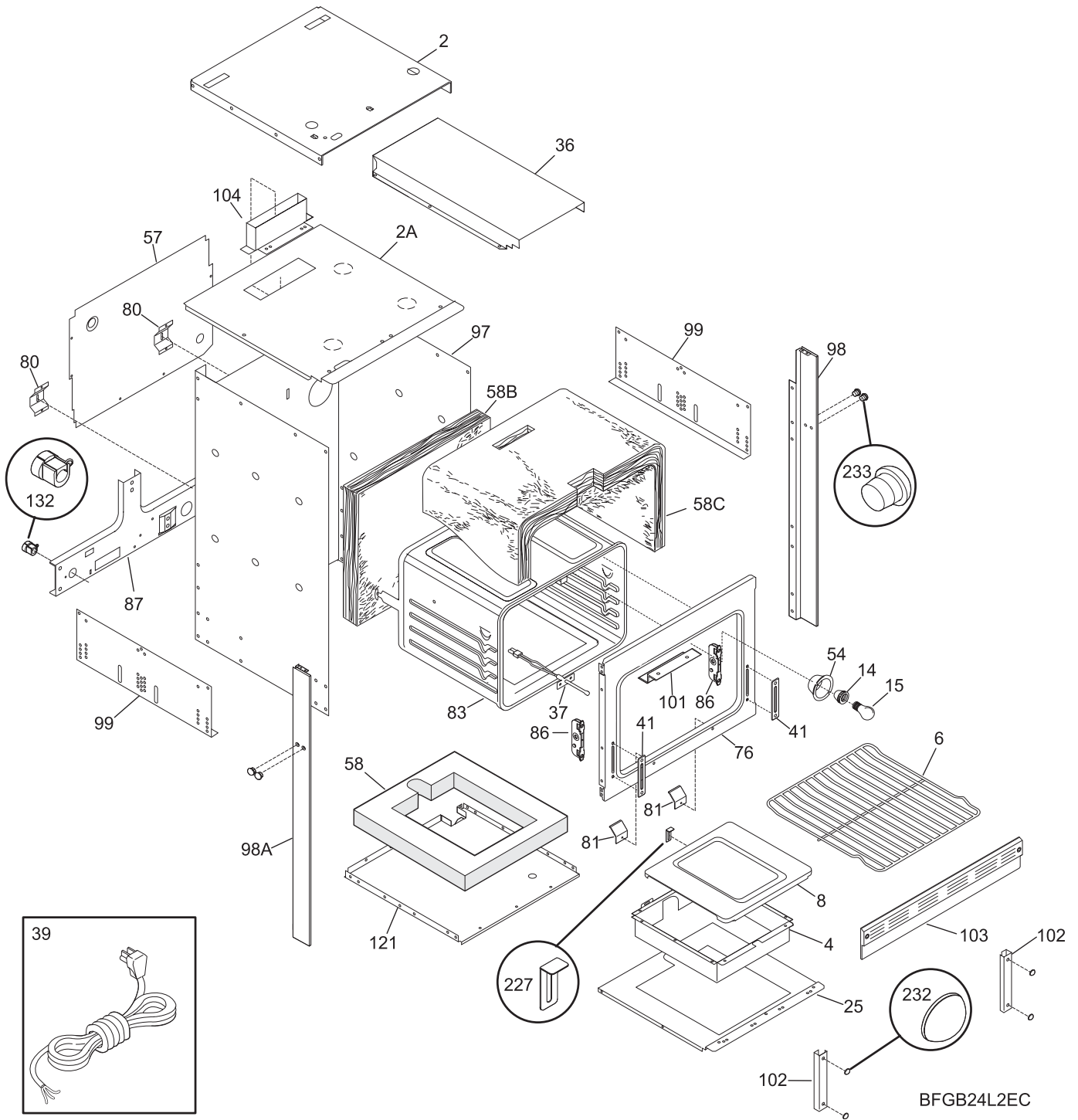


**BURNER**

*Model Index:*   **A** FGB24L2A (FGB24L2ABD)  
                           **B** FGB24L2A (FGB24L2ASD)

<b>POS. NO</b>	<b>PART NO.</b>		<b>DESCRIPTION</b>
14 #	75303210167	A B	Regulator, pressure
14*	75303311306	A B	Screw, 8-18 x 0.375, (6)
17 #	73203702	A B	Valve, safety
18 #	75303210787	A B	Burner, oven
19 #	7318177710	A B	Ignitor, oven burner
20	73203676	A B	Baffle, oven burner
21	73201885	A B	Nut, Keps, 10-24
28 #	75303295305	A B	Valve, shut off
49	75303308469	A B	Bracket, safety valve
*	708002868	A B	Screw, 10-24 x 0.500, probe, thrm brkt, shield, drwr, box
*	75303300195	A B	Screw, 10-32 x 0.375, (2)

**BODY**

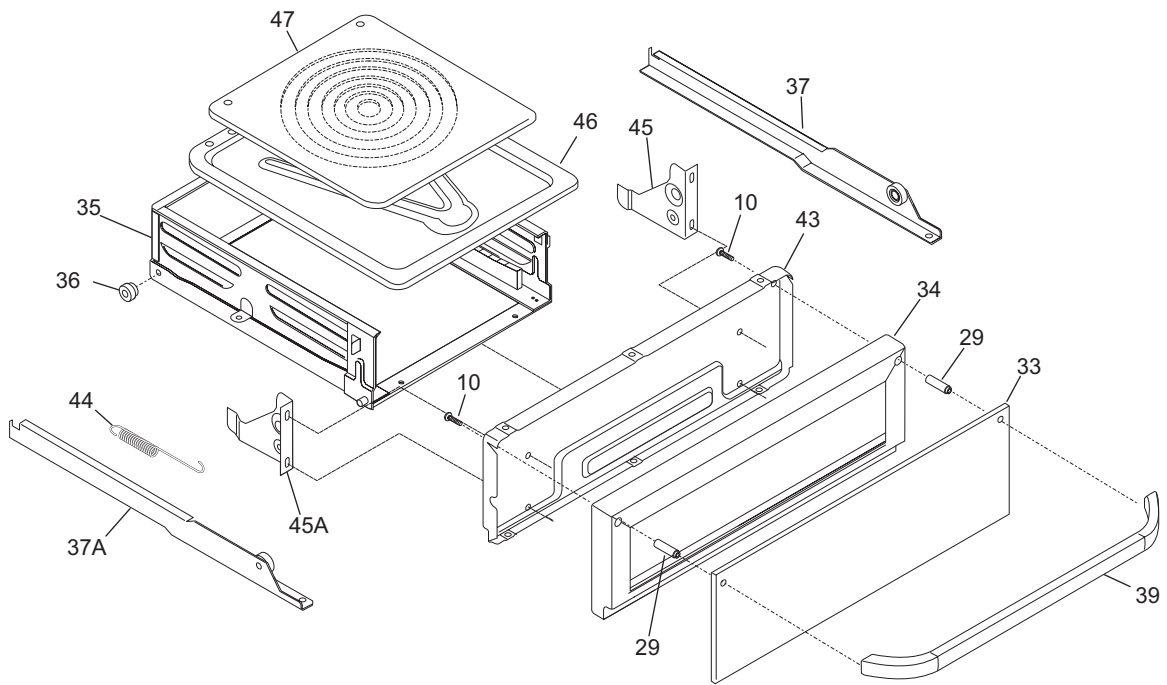
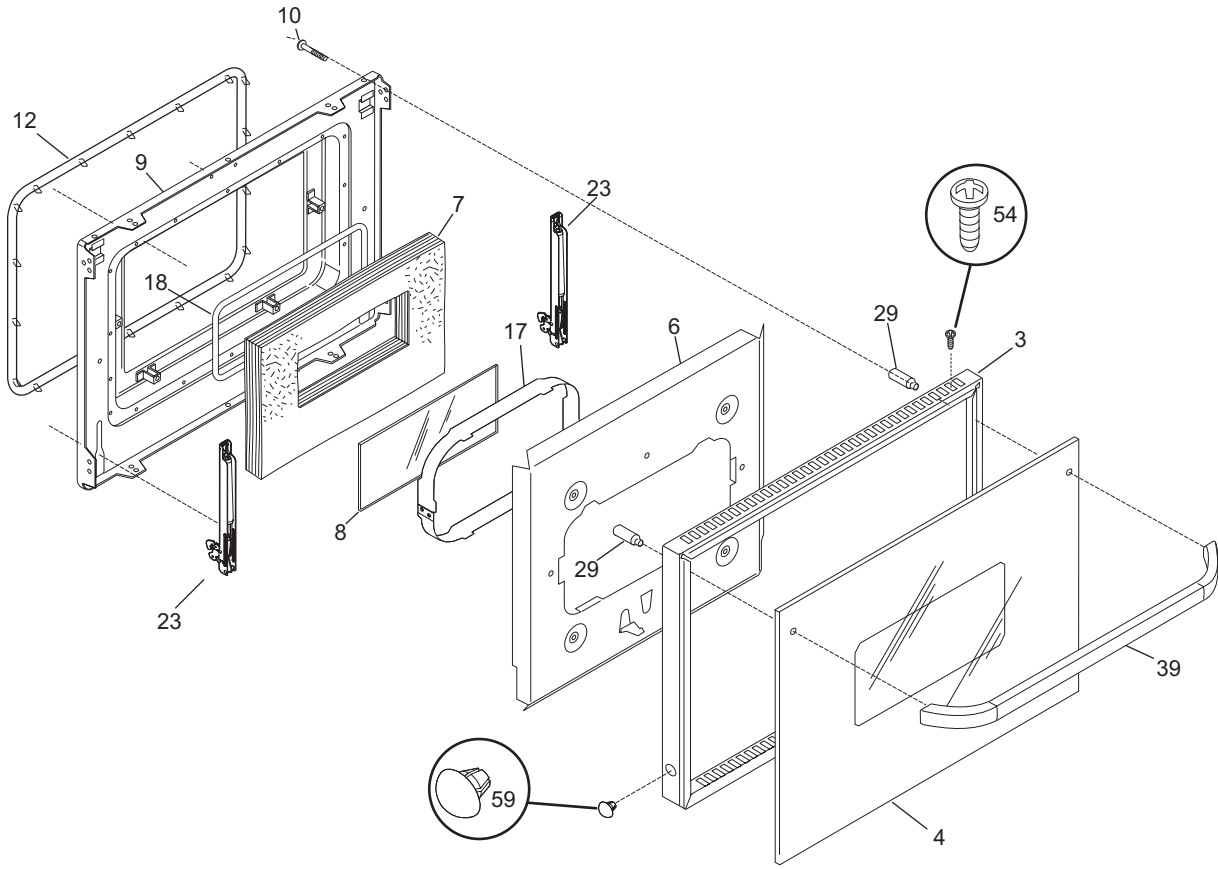


**BODY**

Model Index: A FGB24L2A (FGB24L2ABD)  
B FGB24L2A (FGB24L2ASD)

POS. NO	PART NO.		DESCRIPTION
2	7318101903	A B	Wrapper, top
2A	75303305035	A B	Shield, insulation
4	7318161500	A B	Box, oven burner
6	7318345216	A B	Rack, oven, (2)
8	7318121400	A B	Panel, oven bottom
14	7318224000	A B	Receptacle, oven light
15	75303013071	A B	Bulb/Lamp, light
25	7318179000	A B	Shield, insulation, base
36	7318176005	A B	Flue
37 #	7316217002	A B	Probe, oven temp
39	7318144007	A B	Cord, service
54	7318222400	A B	Housing, oven light
57	7318071130	A B	Shield, rear wall
58	7318285032	A B	Insulation, oven bottom
58B	7318285003	A B	Insulation, oven back
58C	7318285015	A B	Insulation, top & sides, oven wrapper
76	7318056141	A B	Front-oven
80	7318192400	A B	Spring, oven
81	75303323710	A B	Bracket, oven
83	7318089403	A B	Liner, oven assy
86	7318561100	A B	Receptacle, hinge, (2)
86*	75304461333	A B	Screw, 10-32 x 17/32
87	75303308475	A B	Bracket, safety valve
97	7318066804	A B	Wrapper, back & sides
98	7318176812	A -	Trim, side, black, inner, RH
98	7318176802	- B	Trim, side, inner, RH
98A	7318176813	A -	Trim, side, black, inner, LH
98A	7318176803	- B	Trim, side, inner, LH
99	7318284201	A B	Panel, adjustable, side, (2)
101	75303308474	A B	Shield, vent
102	73203688	A B	Support, oven front
103	75303316735	A -	Trim, base, black, lower
103	75303316734	- B	Trim, base, white, lower
104	7318170200	A B	Flue
121	7318145005	A B	Wrapper, base
132	73201437	A B	Strain relief
227	75303323958	A B	Retainer, oven bottom
232	7318147412	A B	Bumper, base
233	7318166800	A -	Plug, button, black
233	7318166801	- B	Plug, button, white
*	7318232517	A B	Wiring Harness, main
*	75304400192	A B	Retainer, wiring
*	708002868	A B	Screw, 10-24 x 0.500, probe, thrm brkt, shield, drwr, box
*	708011955	A B	Screw, 10-24 x 0.375, square drive
*	708016432	A B	Screw, truss head, 8-18 x 0.375
*	75303211311	A B	Screw, 8-18 x 0.500
*	75303323136	A B	Screw ground
*	75303323277	A B	Screw, 8-18 X 13/32
*	75303325980	A B	Screw, 10-32 x 0.437

DOOR/DRAWER



DFGB24L2ASD



---

**DOOR/DRAWER**


---

*Model Index:*   **A** FGB24L2A (FGB24L2ABD)  
                           **B** FGB24L2A (FGB24L2ASD)

<b>POS. NO</b>	<b>PART NO.</b>		<b>DESCRIPTION</b>
3	7318026520	A B	Trim, oven door, black
4	7318051516	A -	Glass, oven door, black, outer
4	7318051553	- B	Glass, oven door, white, outer
6	7318073600	A B	Shield, air wash
7	7318285037	A B	Insulation, oven door
8	7318381402	A B	Glass-oven door, heat barrier, lower oven
9	7318156615	A B	Liner, oven door
10	75303311217	A B	Screw, 10-24 x 2 3/16
12 #	75303316768	A B	Seal, oven door, lower oven
17	7318162601	A B	Support, glass
18	7318053204	A B	Seal, rope, lower oven
23	7318567104	A B	Hinge, oven door
29	7318014403	A B	Spacer, door
33	73203715	A -	Glass-drawer, front
33	75303308464	- B	Glass-drawer, front
34	7318116000	A B	Panel, front frame
35	7318107000	A B	Drawer, broiler
36	7318332200	A B	Roller, nylon
37	73203722	A B	Rail, drawer, RH
37A	73203723	A B	Rail, drawer, LH
39	7318362822	A -	Handle Assembly, door, black, w/spacer
39	7318362820	- B	Handle Assembly, door, white, w/spacer
43	7318107804	A B	Liner, broiler door
44	7318088300	A B	Spring, broiler
45	7318024400	A B	Hinge, broiler, RH
45A	7318024401	A B	Hinge, broiler, LH
46	7318126200	A B	Pan, broiler
47	7318126300	A B	Insert, broiler pan
54	75304436875	A B	Screw, 8-18 X 1/2, black
59	73202113	A B	Plug, button
*	75303300414	A B	Spacer, cork & rubber
*	75303323277	A B	Screw, 8-18 X 13/32

**WIRING DIAGRAM**

