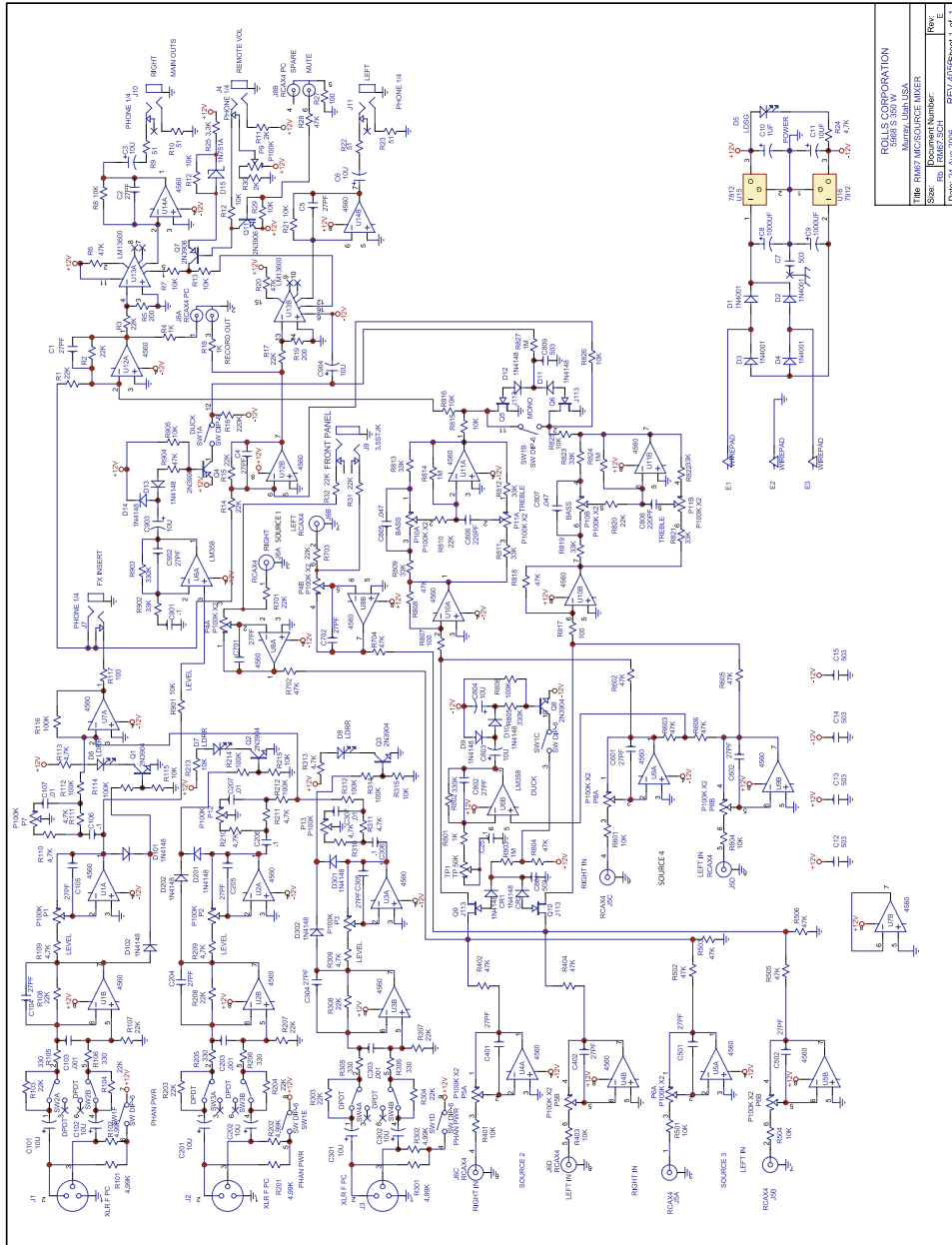


# ROLLS

## RM67 Mic/Source Mixer



ROLLS CORPORATION  
 3045 S 5200 W  
 Murray, Utah, USA  
 Title: RM67 MIC/SOURCE MIXER  
 Schematic Number: RM67-001  
 Date: 24-Aug-2006 REV: 005 Sheet 1 of 1



### FEATURES

- Three XLR balanced inputs with phantom power
- Four stereo Source inputs, including a resistor-mixed front panel 3.5mm input
- Tone controls for each Microphone input
- Clip indicators for each Microphone input
- Bass and Treble controls for the Source inputs
- 1/4" input for remote volume control
- RCA Record Out
- Master Output Level control
- 1/4" TRS balanced outputs
- Ducking with adjustable Sensitivity control

### SPECIFICATIONS

Input Impedance:	Mic:	600 Ohms XLR balanced
	Line:	22K Ohms
	Source:	22K Ohms gold plated RCA
	Mic Insert:	22K Ohms 1/4" TS unbal.
	Mic:	-14 dBV Mic level +20 dB Line level 24 dBV
	Source:	
Max Input Level:	Connectors:	3: XLR, 6: Stereo RCA, 3: 1/4" TRS, 1: 1/4" TS, 1: 3.5mm
	Phantom Power:	+12 VDC
	Output Level:	+17 dBV max
	Output Impedance:	51 Ohms
	Max Gain:	Mic: 60 dB Source: 26 dB
	Tone Controls:	+/-12 dB 100 Hz Bass +/-12 dB 11kHz Treble
	Nose Floor:	- 80 dB, THD: <.025%, S/N Ratio: 96 dB
	Size:	19" x 1.75" x 6" (48.3 x 4.5 x 15 cm)
	Weight:	5 lbs. (2.3 kg)

**NOTE: THIS GUIDE ASSUMES THE USER HAS A WORKING KNOWLEDGE OF AUDIO ELECTRONICS, BALANCED AND UNBALANCED CONNECTIONS, AND PROPER SIGNAL LEVEL SETTING.**



ROLLS CORPORATION  
 SALT LAKE CITY, UTAH  
 11/03

## INTRODUCTION

Thank you for your purchase of the Rolls RM67 Microphone/Source Mixer. The RM67 is a single rack space audio mixer with three XLR inputs and four stereo RCA source inputs. Talkover features have been included on Mic 1 and Source 4 for paging and music priority functions.

## INSPECTION

1. Unpack and inspect the RM67 box and package.  
If obvious physical damage is noticed, contact the carrier immediately to make a damage claim.
2. For warranty information, and to register your warranty, please visit our website at [www.rolls.com](http://www.rolls.com) and click on the Register Your Warranty Here button.

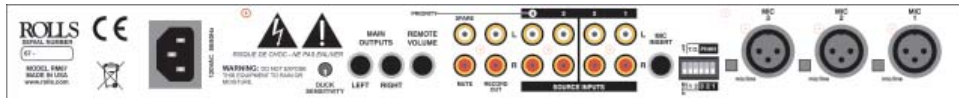
## DESCRIPTION

### FRONT PANEL



- Mic 1 - 3:** Adjust the level of signal from the corresponding Mic Input.  
**clip 1 - 3:** LED indicating overload in the channel. The LED lights 3dB below clipping.  
**TONE 1 - 3:** Adjusts the frequency content of the signal in the channel. When the control is turned counter-clockwise, the high frequencies are cut, when the control is turned clockwise, the low frequencies are cut.  
**IN 1:** 3.5mm Input jack - resistor mixed to Source Input 1.  
**Source 1 - 4:** Adjust the volume of input from the RCA Source Inputs, and the 3.5mm in.  
**Bass:** Adjusts the low frequencies of the Source signals only.  
**Treble:** Adjusts the high frequencies of the Source signals only.  
**Master Level:** Adjusts the overall volume of the RM67 Main Outputs.  
**pwr:** LED indicating power is applied to the RM67 and the unit is on.

### REAR PANEL



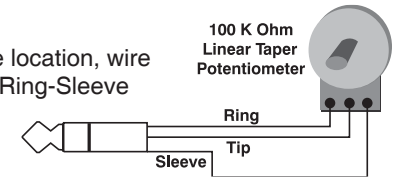
- Mic 1 - 3:** XLR inputs for dynamic or condenser microphones, or balanced line-level signals.  
**Mic/Line Switch:** Pads the XLR Mic input by 30 dB when pressed in.  
**DIP SWITCH:** Contains the small switches for engaging Mic 1 - 3 phantom power, the priority (Talk Over) functions, and the Mono/Stereo select.  
**MIC INSERT:** 1/4" TRS insert jack for adding external processing to the Mic signals. Tip = send, ring = return.  
**SOURCE INPUTS:** Stereo RCA jacks, Channels 1 - 4, for connection to stereo sources such as AM/FM tuners, cassette players, cd players, or video players.  
**RECORD OUT:** Stereo RCA jacks, contains all mixed signals before the Remote Volume jack, and Master Level control.  
**SPARE:** This RCA jack is not connected.  
**MUTE:** RCA jack for connection to a tip-to-ground muting circuit.  
**REMOTE VOLUME:** 1/4" TS jack for connection to a remote potentiometer for master volume control. 20K Ohm audio taper potentiometer is recommended.  
**MAIN OUTPUTS:** 1/4" TRS balanced Right and Left Outputs.  
**DUCK SENSITIVITY:** Adjusts the level of input signal required for ducking to occur. NOTE: The release time is effected by this setting, plus the level of input signal - the higher the input signal, the longer the release time.  
**IEC POWER INPUT:** Connect to the IEC power cable - and properly grounded ac outlet.

## CONNECTION

Connect low impedance microphones to the Mic inputs. If a paging microphone is being used, connect it to Mic Input 1 so it may be used with the Talk Over function. Connect source signals such as CD players, cassette players or video players to the RCA Source Inputs. If a jukebox is being connected, and you want its signal to mute the other source signals, connect it to Source input 4. Connect 3.5mm sources to the front panel input.

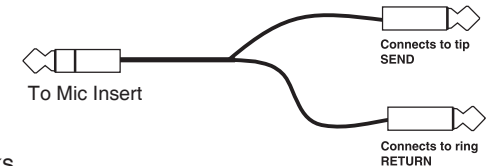
### Remote Volume Control

To control the overall volume of the RM67 in a remote location, wire a 100K ohm Linear Taper potentiometer to a 1/4" Tip-Ring-Sleeve plug as shown here.



### Mic Insert

To connect a signal processor to the RM67 microphone signal(s), use an insert plug, or cable wired as shown here.



Connect the Main Right and Left outputs to your power amplifiers. The RM67 output jacks will accommodate balanced or unbalanced connections. For unbalanced operation use 1/4" Tip Sleeve jacks, for balanced operation use 1/4" Tip Ring Sleeve jacks. If a 1/4" TRS to XLR cable is needed, wire the Tip of the 1/4" jack to pin 2 of the XLR, the Ring to pin 3, and the Sleeve to pin 1 or the shield.

### Mute

To mute all audio, connect an RCA plug to your muting circuitry. When the tip is shorted to the ground - all audio is muted.

Connect the RM67 to a properly grounded AC outlet.

## OPERATION

### DIP SWITCH SETTINGS

- If a microphone requires phantom power, move the Mic channel's corresponding PHAN DIP switch to the down position. This applies 12 volts dc phantom power to the indicated microphone.

- Talkover switch 1 (T.O. 1), when in the down position, all program material on all inputs will be "ducked" or muted when a signal is present at Mic 1. This function is used for paging.

- Talkover switch 2 (T.O. 2), when in the down position, Source 1,2, and 3 will be "ducked" or muted by the signals at Source 4.

This function is for jukebox priority. With a jukebox connected to Source input 4, and the Talkover switch 2 on (down), the other Source input signals such as background music, will be muted and only the jukebox will be heard.

- The Mono/Stereo switch selects the output mode. When the switch is up, the unit is in stereo mode. When the switch is down, the stereo signals are mixed to mono and sent to both the Right and Left Main output jacks. Either jack can be used as a mono output.

Adjust the Microphone levels for maximum input signal without clipping, and for a comfortable listening level. Adjust each Source level for a desired listening level.