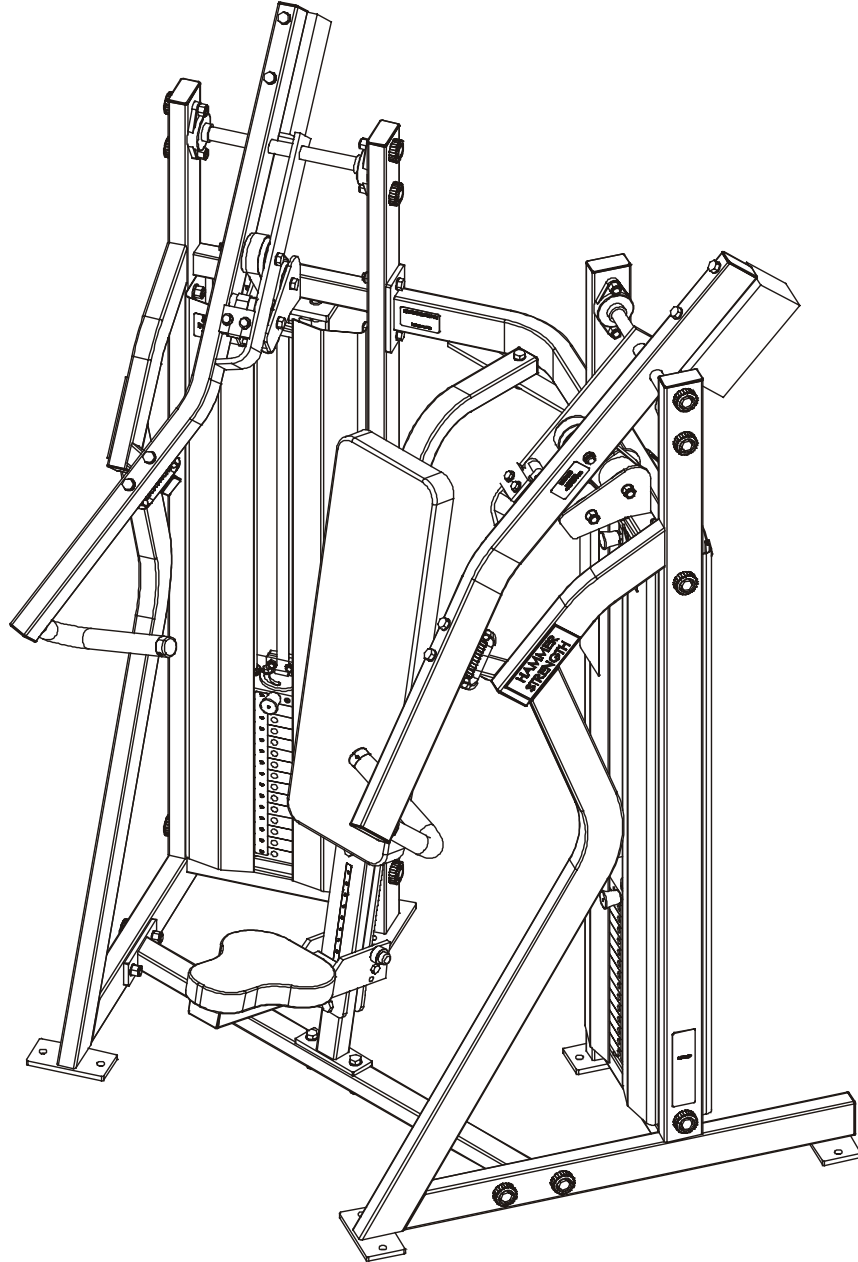


LifeFitness

**MTS - MOTION TECHNOLOGY SELECTORIZED
MTIP INCLINE PRESS S/N TIP030001 & ABOVE**



Customer Support Services PARTS MANUAL

MTIP INCLINE PRESS S/N TIP030001 & ABOVE

Notes:

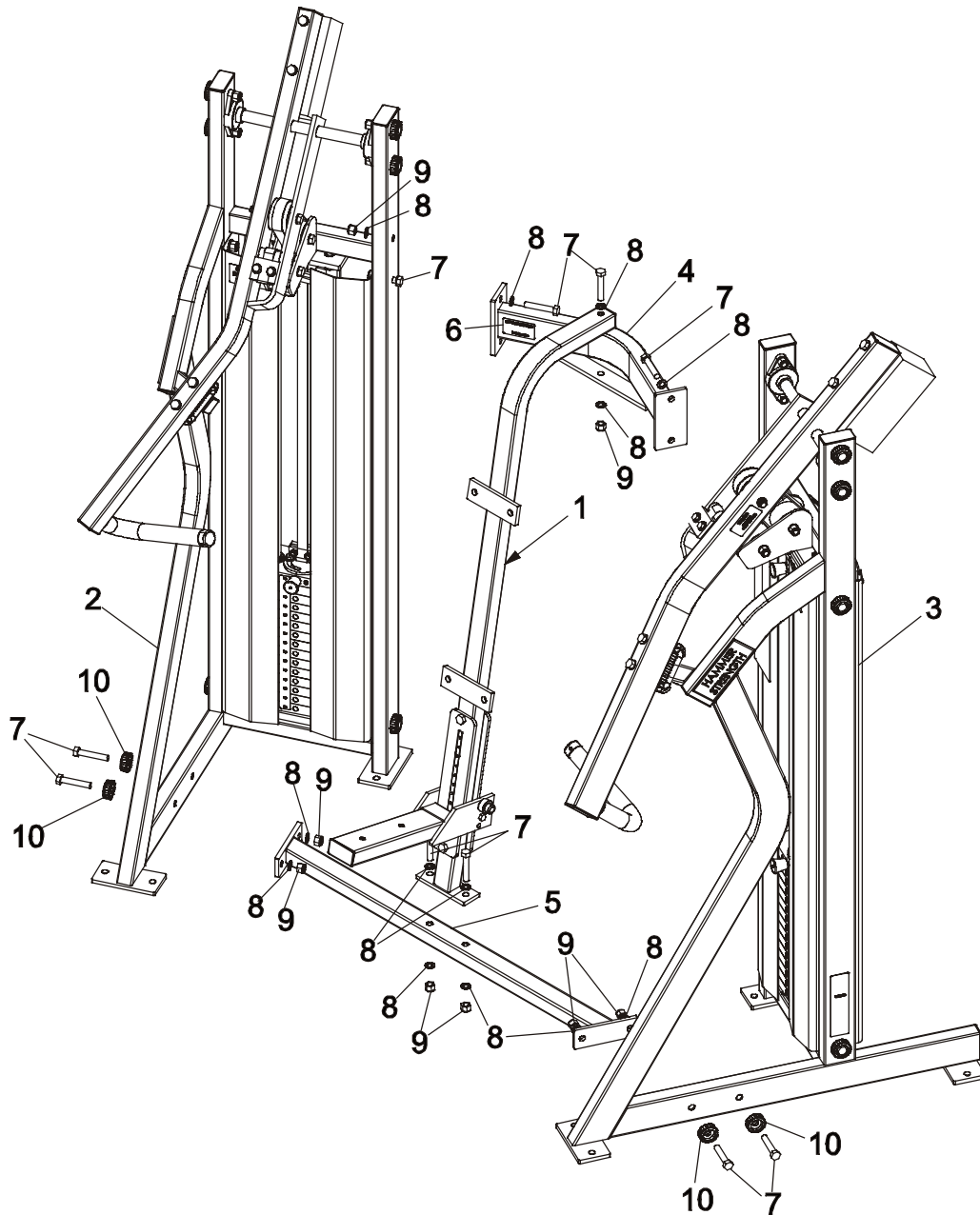
MTIP INCLINE PRESS S/N TIP030001 & ABOVE

Contents

	PAGE
COMPONENT ASSEMBLY.....	4
RIGHT SIDE FRAME ASSEMBLY.....	5
LEFT SIDE FRAME ASSEMBLY.....	6
RIGHT SIDE SHIELDS W/WEIGHT STACK.....	7
LEFT SIDE SHIELDS W/WEIGHT STACK.....	8
RIGHT MOVEMENT ARM	9
LEFT MOVEMENT ARM.....	10
PADS.....	11
SEAT FRAME WELDMENT.....	12
SEAT FRAME ASSEMBLY.....	13
SEAT ROLLER ASSEMBLY.....	14
INCREMENT WEIGHT	15
WEIGHT STACK.....	16
RIGHT SIDE DECALS	17
LEFT SIDE DECALS.....	18

MTIP INCLINE PRESS S/N TIP030001 & ABOVE

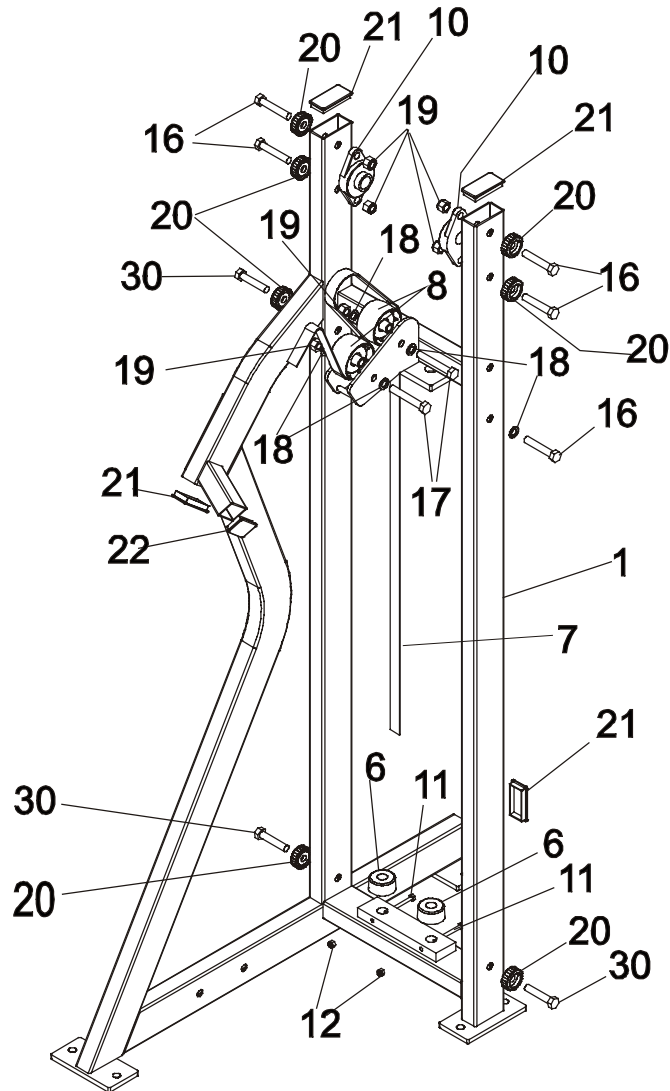
COMPONENT ASSEMBLY



ITEM NO.	QTY.	PART NO.	DESCRIPTION
1	1	MTIP-A0011	SEAT FRAME ASSEMBLY
2	1	MTIP-A0012	RIGHT SIDE FRAME ASSEMBLY
3	1	MTIP-A0013	LEFT SIDE FRAME ASSEMBLY
4	1	MTIP-S0010	BRACE WELDMENT, TOP
5	1	MTIP-S0011	CROSS BRACE, BOTTOM
6	1	M051-00299-A000	HAMMER PATENT DECAL
7	9	0017-00101-1573	1/2 X 2 3/4 Bolt
8	14	0017-00104-0379	1/2" Internal Lock Washer
9	9	0017-00103-0223	1/2" Thick Lock Nut
10	4	0017-00042-1041	HAMMER HEAD WASHER

MTIP INCLINE PRESS S/N TIP030001 & ABOVE

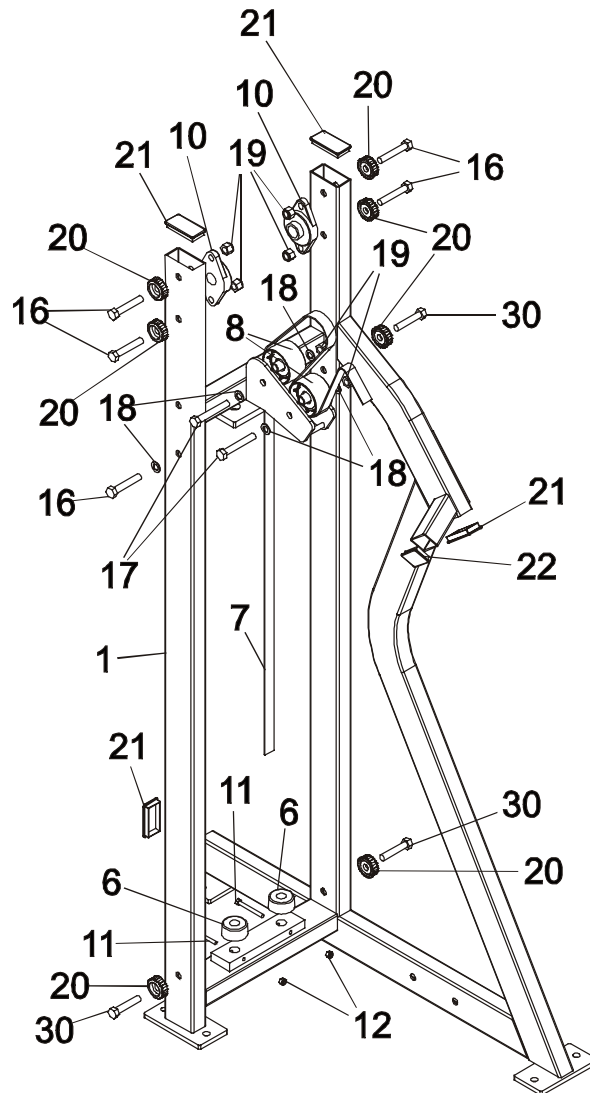
RIGHT SIDE FRAME ASSEMBLY



ITEM NO.	QTY.	PART NO.	DESCRIPTION
1	1	MTIP-S0008	MTIP Right Side Frame
6	2	0017-00042-0993	WEIGHT STACK DONUT 1" THICK
7	1	0017-00033-0855 (MTIP)	MTIP STRAP (76")
10	2	0017-00009-1034	Small Bearing
11	2	0017-00101-1585	1/4 X 2 1/2 Bolt
12	2	0017-00103-0226	1/4" Thick Lock Nut
16	5	0017-00101-1573	1/2 X 2 3/4 Bolt
17	2	0017-00101-1574	1/2 X 3 1/4 Bolt
18	5	0017-00104-0379	1/2" Internal Lock Washer
19	10	0017-00103-0223	1/2" Thick Lock Nut
20	7	0017-00042-1041	HAMMER HEAD WASHER
21	4	0017-00042-1038	1 1/2 X 3 End Cap
22	1	0017-00042-0945	1 1/2 X 2 Endcap
30	3	0017-00101-1572	1/2 X 2 1/2 Bolt

MTIP INCLINE PRESS S/N TIP030001 & ABOVE

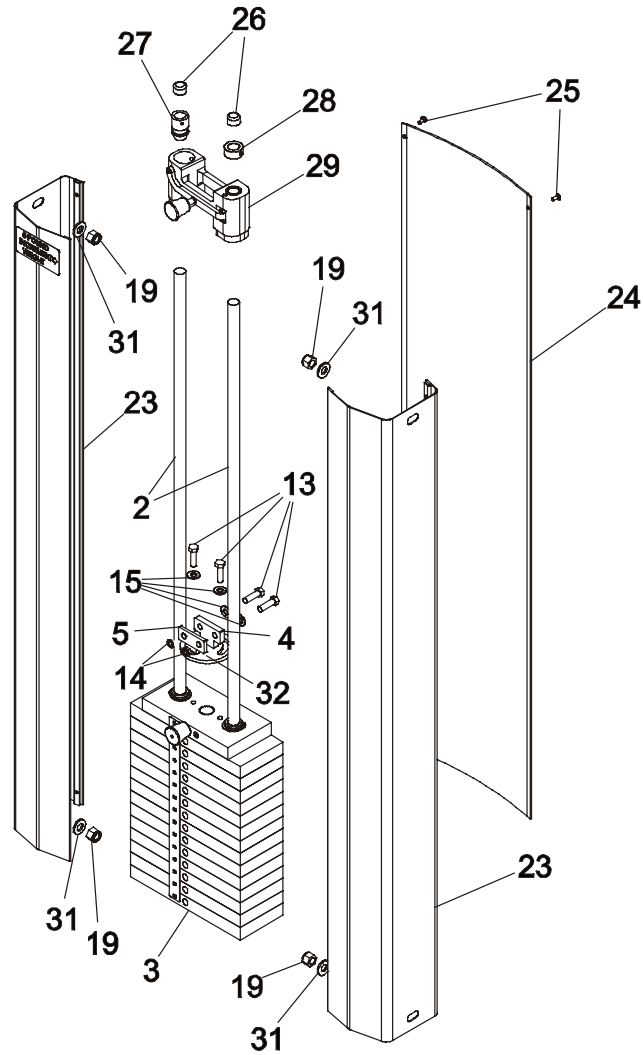
LEFT SIDE FRAME ASSEMBLY



ITEM NO.	QTY.	PART NO.	DESCRIPTION
1	1	MTIP-S0009	MTIP Left Side Frame
6	2	0017-00042-0993	WEIGHT STACK DONUT 1" THICK
7	1	0017-00033-0855 (MTIP)	MTIP STRAP (76")
8	2	0017-00009-1039	3" PULLEY ASSEMBLY
10	2	0017-00009-1034	Small Bearing
11	2	0017-00101-1585	1/4 X 2 1/2 Bolt
12	2	0017-00103-0226	1/4" Thick Lock Nut
16	5	0017-00101-1573	1/2 X 2 3/4 Bolt
17	2	0017-00101-1574	1/2 X 3 1/4 Bolt
18	5	0017-00104-0379	1/2" Internal Lock Washer
19	10	0017-00103-0223	1/2" Thick Lock Nut
20	7	0017-00042-1041	HAMMER HEAD WASHER
21	4	0017-00042-1038	1 1/2 X 3 End Cap
22	1	0017-00042-0945	1 1/2 X 2 Endcap
30	3	0017-00101-1572	1/2 X 2 1/2 Bolt

MTIP INCLINE PRESS S/N TIP030001 & ABOVE

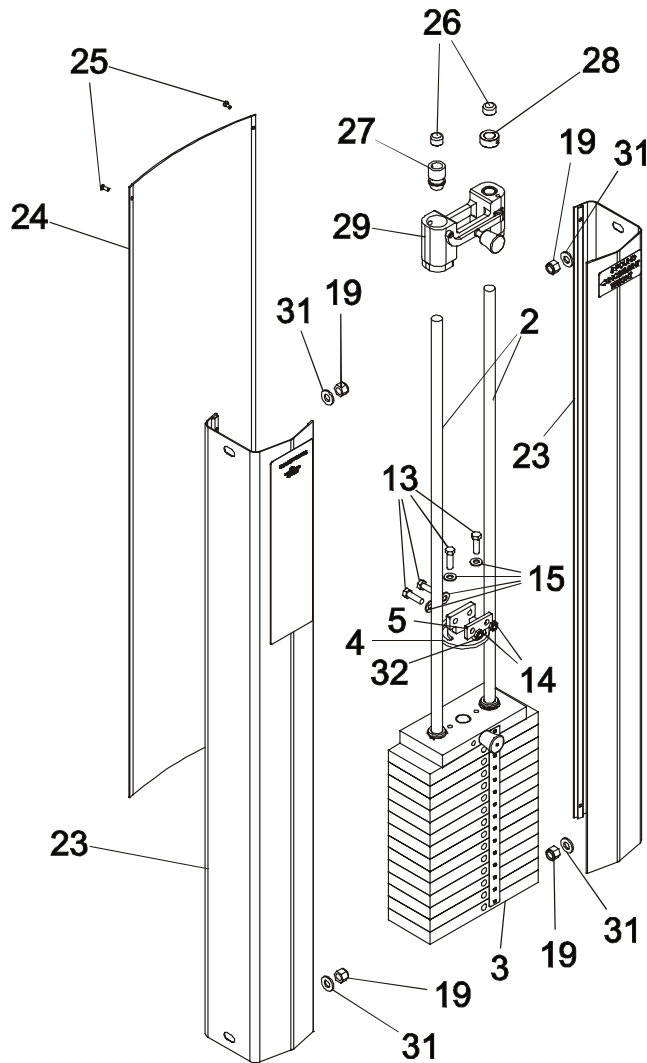
RIGHT SIDE SHIELDS W/WEIGHT STACK



ITEM NO.	QTY.	PART NO.	DESCRIPTION
2	2	0017-00009-0933 (MTIP)	Guide Rod (50.44")
3	1	AK50-WS018	MTS 150 LB WEIGHT STACK
4	1	AK50-S0025	BELT ATTACHMENT PLATE
5	1	0K50-P1121	Strap Clamp 2
13	4	0017-00101-1412	3/8 X 1 1/4 Bolt
14	2	0017-00103-0217	3/8" Thin Lock Nut
15	4	0017-00104-0377	3/8" Internal Lock Washer
19	10	0017-00103-0223	1/2" Thick Lock Nut
23	2	MTHR-P0040	MTS SIDE SHIELD
24	1	0K50-P1144 (FORMED)	SHIELD BACK PANEL
25	2	0017-00101-1587	SHIELD RIVET
26	2	0017-00042-0967	3/4 I.D. BLACK PLASTIC ROD CAP
27	1	0K50-P1110	GUIDE ROD COLLAR
28	1	0017-00009-1019	3/4" Lock Collar
29	1	AK50-S0021	Increment Weight Assembly
31	4	0017-00104-0311	1/2" SAE Flat Washer
32	1	0K50-P1132	BELT WRAP PEG

MTIP INCLINE PRESS S/N TIP030001 & ABOVE

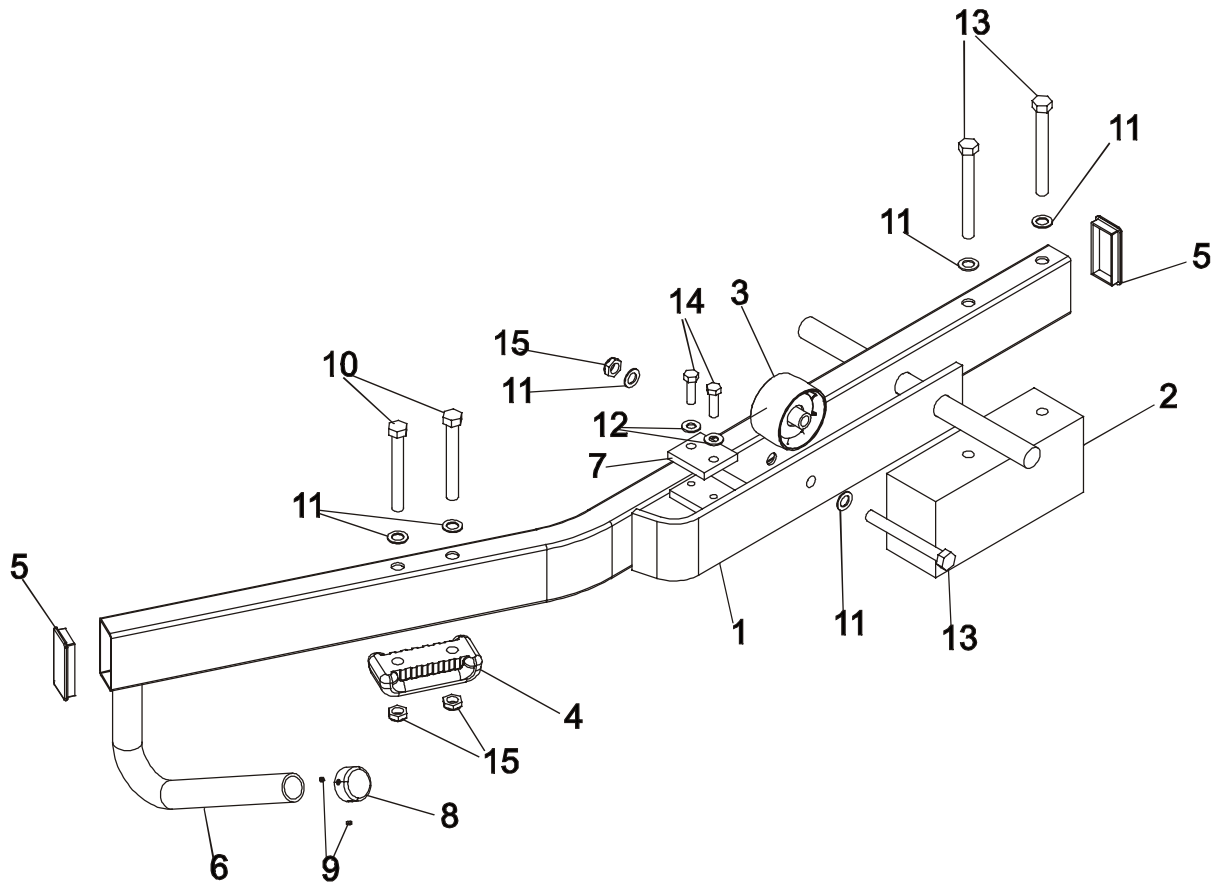
LEFT SIDE SHIELDS W/WEIGHT STACK



ITEM NO.	QTY.	PART NO.	DESCRIPTION
2	2	0017-00009-0933 (MTIP)	Guide Rod (50.44")
3	1	AK50-WS018	MTS 150 LB WEIGHT STACK
4	1	AK50-S0023	BELT ATTACHMENT PLATE
5	1	0K50-P1121	Strap Clamp 2
13	4	0017-00101-1412	3/8 X 1 1/4 Bolt
14	2	0017-00103-0217	3/8" Thin Lock Nut
15	4	0017-00104-0377	3/8" Internal Lock Washer
19	10	0017-00103-0223	1/2" Thick Lock Nut
23	2	MTHR-P0040	MTS SIDE SHIELD
24	1	0K50-P1144 (FORMED)	SHIELD BACK PANEL
25	2	0017-00101-1587	SHIELD RIVET
26	2	0017-00042-0967	3/4 I.D. BLACK PLASTIC ROD CAP
27	1	0K50-P1110	GUIDE ROD COLLAR
28	1	0017-00009-1019	3/4" Lock Collar
29	1	AK50-S0021	Increment Weight Assembly
31	4	0017-00104-0311	1/2" SAE Flat Washer
32	1	0K50-P1132	BELT WRAP PEG

MTIP INCLINE PRESS S/N TIP030001 & ABOVE

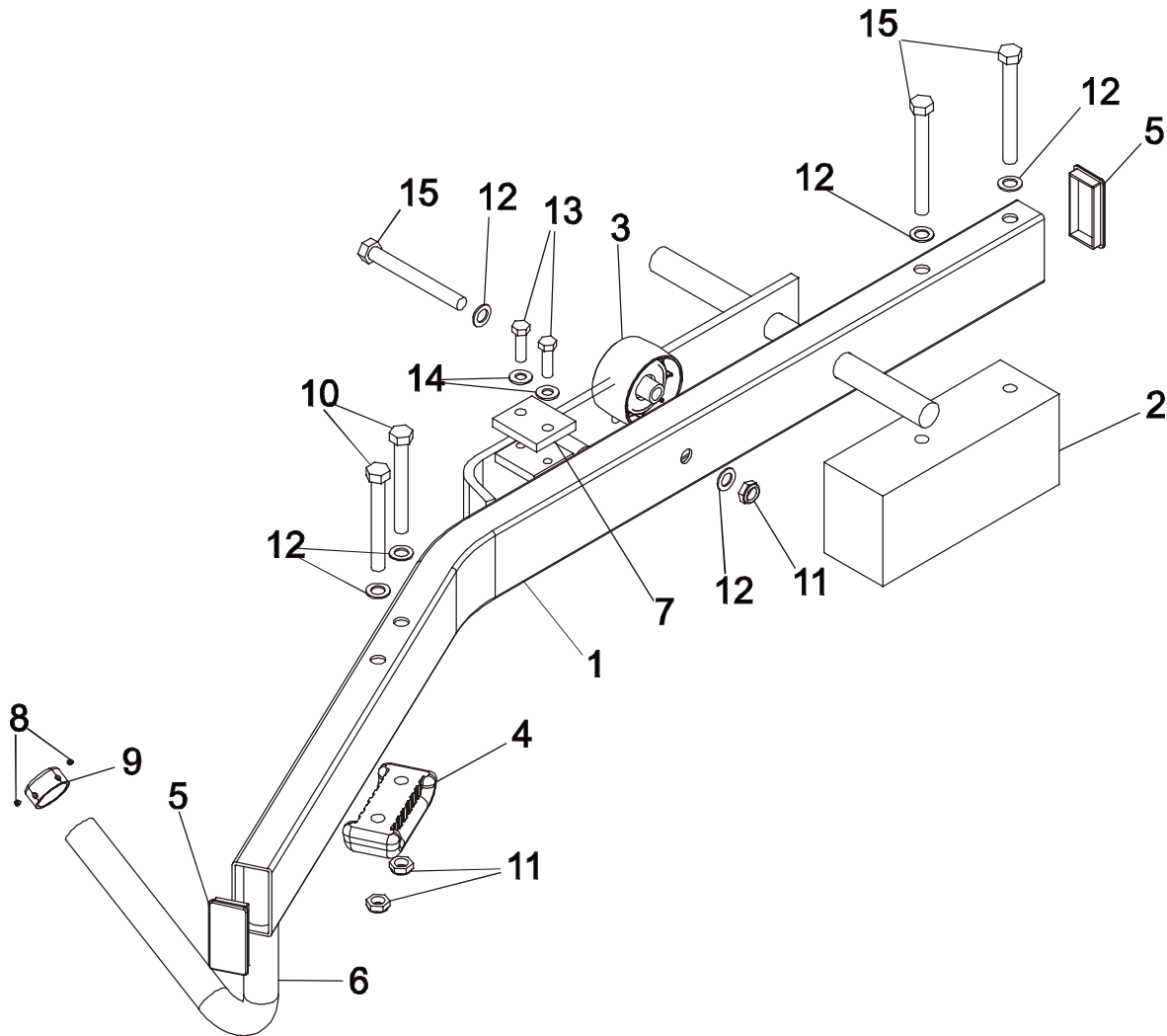
RIGHT MOVEMENT ARM



ITEM NO.	QTY.	PART NO.	DESCRIPTION
1	1	MTIP-S0014	MOVEMENT ARM (RIGHT)
2	1	0K50-P1134	Marm CW
3	1	0017-00009-1039	3" PULLEY ASSEMBLY
4	1	0017-00042-1040	HAMMER HEAD SMALL BUMPER
5	2	0017-00042-1038	1 1/2 X 3 End Cap
6	1	H-GRIP	MTIP HANDLE GRIP (15.3")
7	1	0K50-P1021	Strap Clamp 2
8	1	0K50-P0315-4000	END CAP
9	2	0017-00101-1406	10-32 X 1/8" SET SCREW
10	2	0017-00101-1580	1/2 X 4 Bolt
11	6	0017-00104-0379	1/2" Internal Lock Washer
12	2	0017-00104-0377	3/8" Internal Lock Washer
13	3	0017-00101-1579	1/2 X 4 1/2 Bolt
14	2	0017-00101-1412	3/8 X 1 1/4 Bolt
15	3	0017-00103-0224	1/2" Thin Lock Nut

MTIP INCLINE PRESS S/N TIP030001 & ABOVE

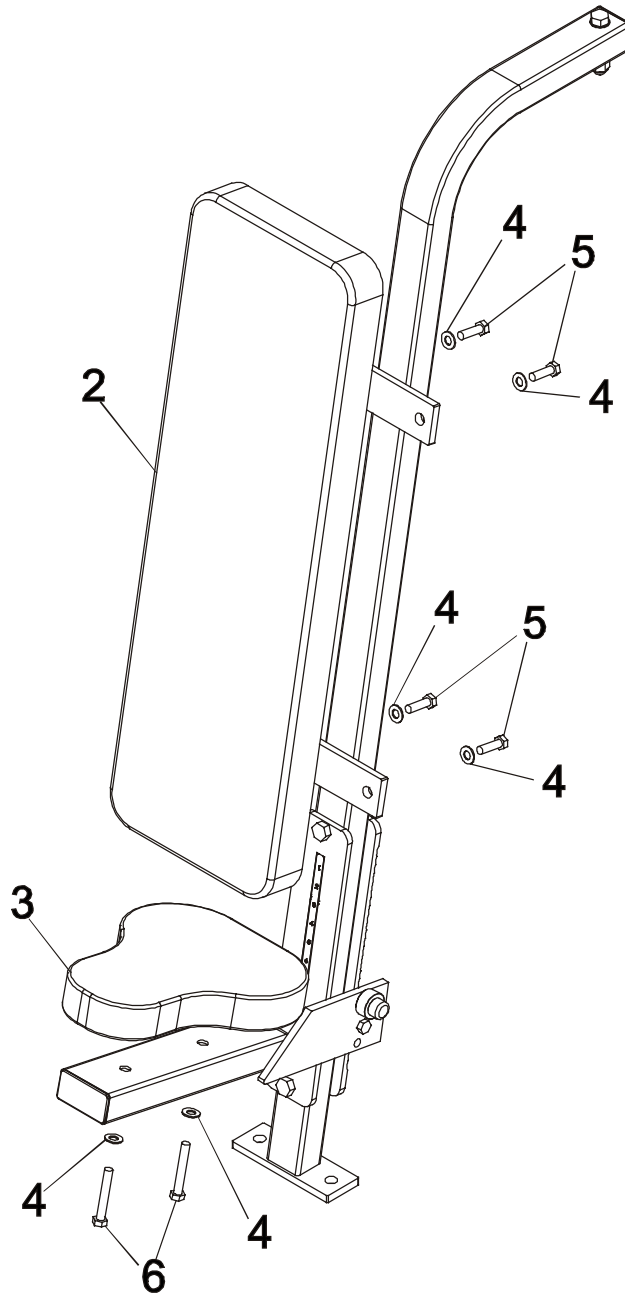
LEFT MOVEMENT ARM



ITEM NO.	QTY.	PART NO.	DESCRIPTION
1	1	MTIP-S0013	MOVEMENT ARM (LEFT)
2	1	0K50-P1134	Marm CW
3	1	0017-00009-1039	3" PULLEY ASSEMBLY
4	1	0017-00042-1040	HAMMER HEAD SMALL BUMPER
5	2	0017-00042-1038	1 1/2 X 3 End Cap
6	1	H-GRIP	MTIP HANDLE GRIP (15.3")
7	1	0K50-P1021	Strap Clamp 2
8	2	0017-00101-1406	10-32 X 1/8" SET SCREW
9	1	0K50-P0315-4000	END CAP
10	2	0017-00101-1580	1/2 X 4 Bolt
11	3	0017-00103-0224	1/2" Thin Lock Nut
12	6	0017-00104-0379	1/2" Internal Lock Washer
13	2	0017-00101-1412	3/8 X 1 1/4 Bolt
14	2	0017-00104-0377	3/8" Internal Lock Washer
15	3	0017-00101-1579	1/2 X 4 1/2 Bolt

MTIP INCLINE PRESS S/N TIP030001 & ABOVE

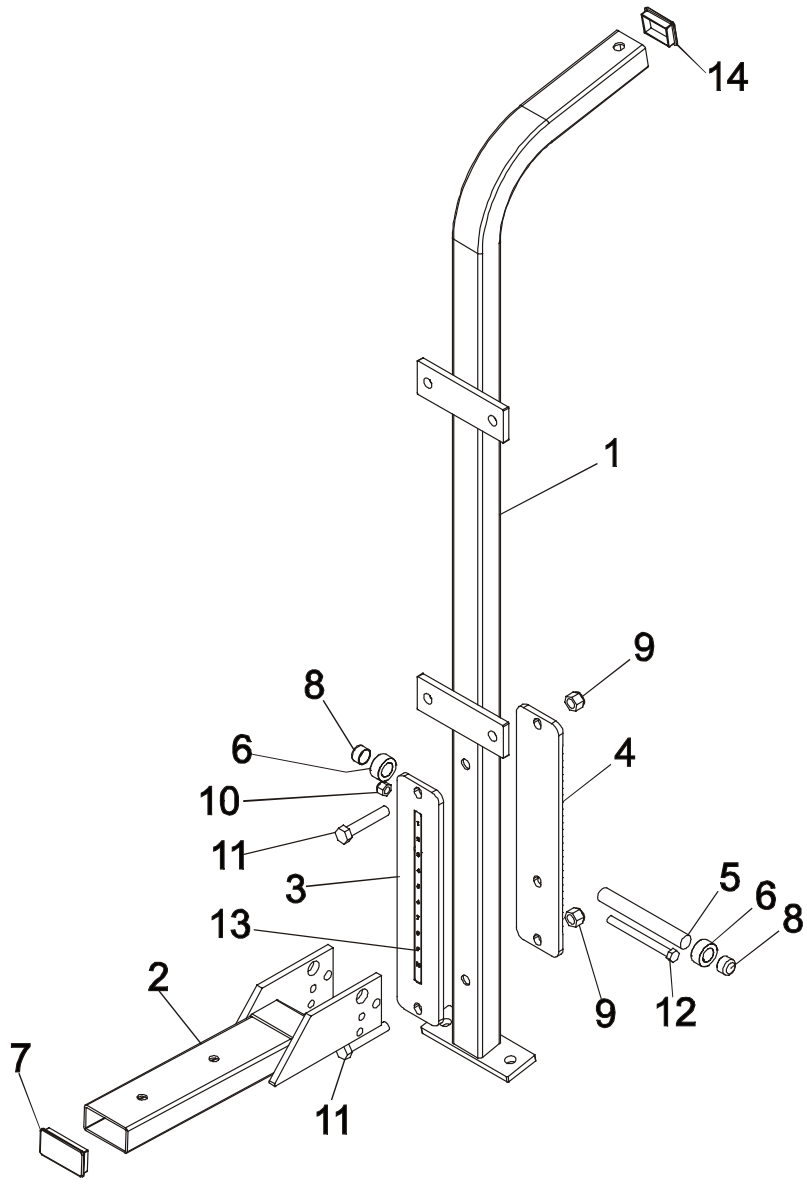
PADS



ITEM NO.	QTY.	PART NO.	DESCRIPTION
2	1	0K50-US063-0000	MTS 11 X 33 BACK
3	1	0K50-US065-0000	MTS BIKE SEAT
4	6	0017-00104-0313	3/8" SAE Flat Washer
5	4	0017-00101-1412	3/8 X 1 1/4 Bolt
6	2	0017-00101-1417	3/8 X 2 1/2 Bolt

MTIP INCLINE PRESS S/N TIP030001 & ABOVE

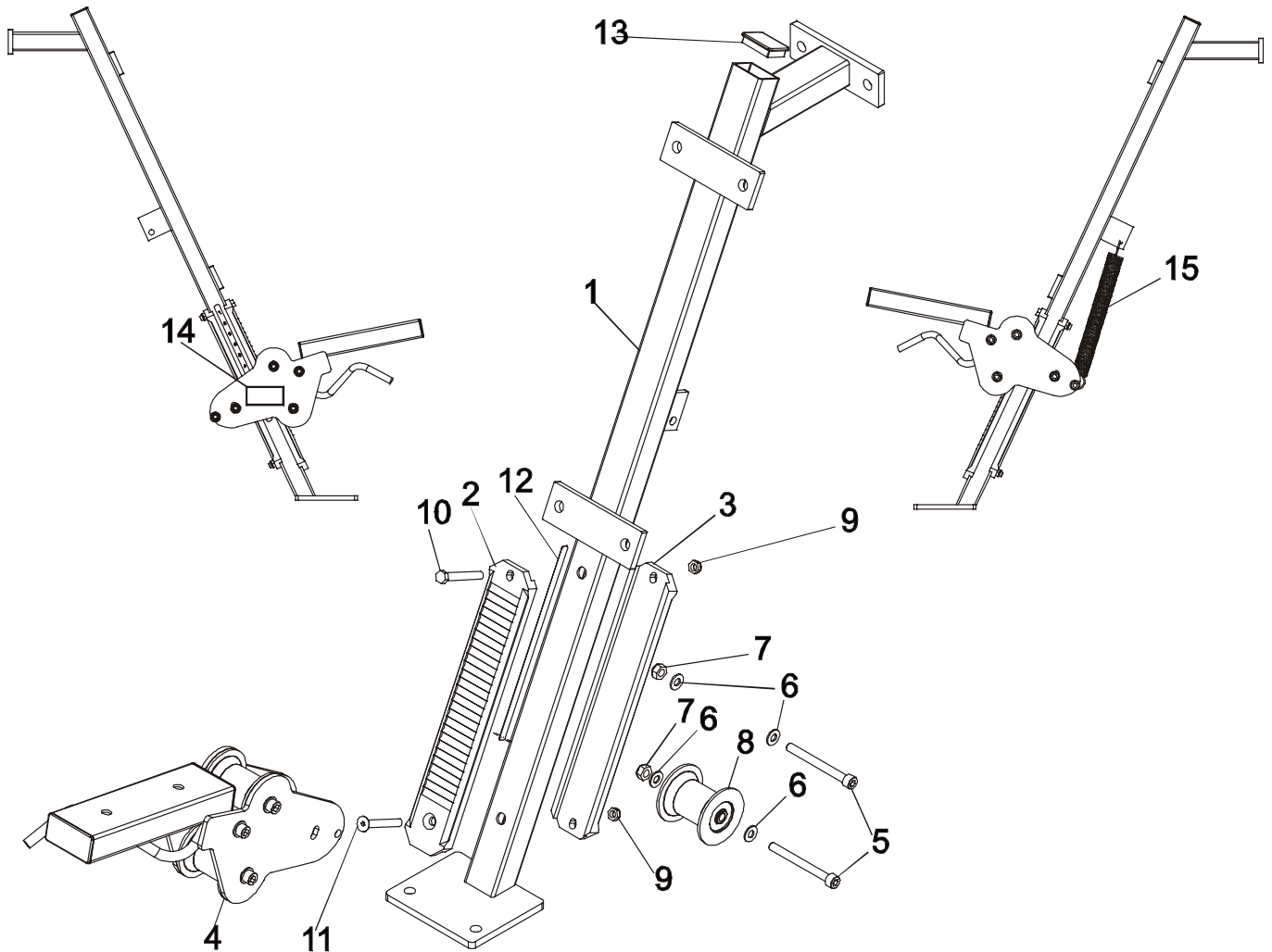
SEAT FRAME WELDMENT



ITEM NO.	QTY.	PART NO.	DESCRIPTION
1	1	MTIP-S0012	BACK FRAME WELDMENT, SEAT
2	1	OK50-S1001	MTS Standard Seat #1
3	1	OK50-P1017	Seatrack Front
4	1	OK50-P1018	Seatrack Back
5	1	OK50-P1007	Standard Hammer Seat Shaft
6	2	0017-00009-1019	3/4" Lock Collar
7	1	0017-00042-1038	1 1/2 X 3 End Cap
8	2	0017-00042-0967	3/4 I.D. BLACK PLASTIC ROD CAP
9	2	0017-00103-0223	1/2" Thick Lock Nut
10	1	0017-00103-0229	3/8" Thick Lock Nut
11	2	0017-00101-1573	1/2 X 2 3/4 Bolt
12	1	0017-00101-1567	3/8 X 4 1/4 Bolt
13	1	M051-00296-A000	SEAT ADJUSTMENT NUMBER STRIP
14	1	0017-00042-0945	1 1/2 X 2 Endcap

MTIP INCLINE PRESS S/N TIP030001 & ABOVE

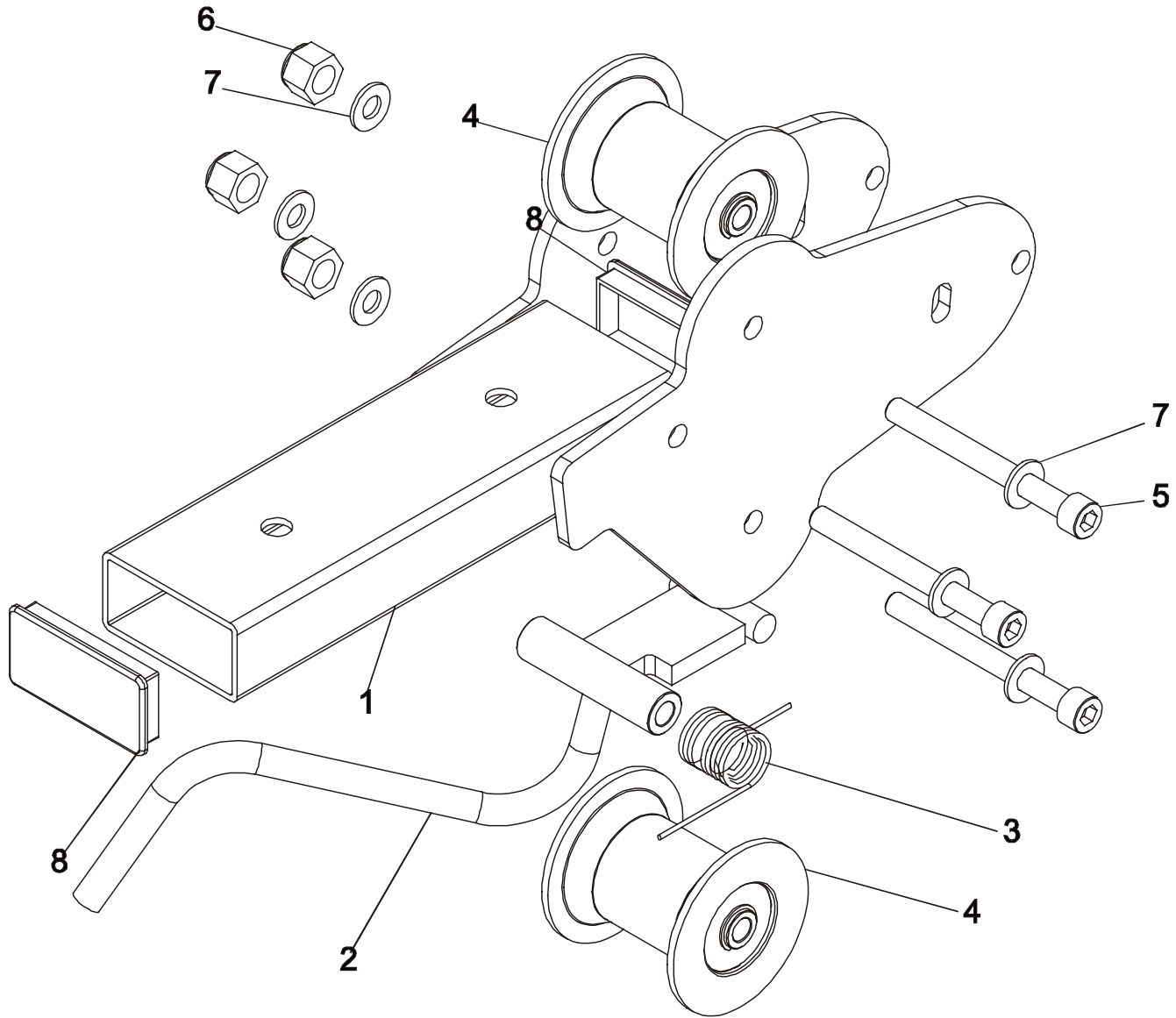
SEAT FRAME ASSEMBLY



ITEM NO.	QTY.	PART NO.	DESCRIPTION
1	1	MTDP-S0002	Seat Frame Weldment
2	1	7359401	Seatrack, Roller Serrated
3	1	7359501	Seatrack, Roller Flat
4	1	AK50-A1007	MTS SEAT#2 ASSM. (ROLLER)
5	2	0017-00101-1662	M10 X 64 HXS SOC CS ST ZN
6	4	0017-00104-0377	3/8" Internal Lock Washer
7	2	0017-00103-0289	10mm THIN NYLOC NUT
8	1	73763	ROLLER ASSM.
9	2	0017-00103-0217	3/8" Thin Lock Nut
10	1	0017-00101-1408	3/8 X 2 3/4 Bolt
11	1	0017-00101-1664	3/8" FLAT HEAD BOLT
12	1	M051-00296-A000	NUMBER STRIP (1-12)
13	1	0017-00042-0945	1 1/2 X 2 Endcap
14	1	M051-00602-A000	MTAB SEAT INSTR. DECAL
15	1	7442601	MTS SEAT EXTENSION SPRING

MTIP INCLINE PRESS S/N TIP030001 & ABOVE

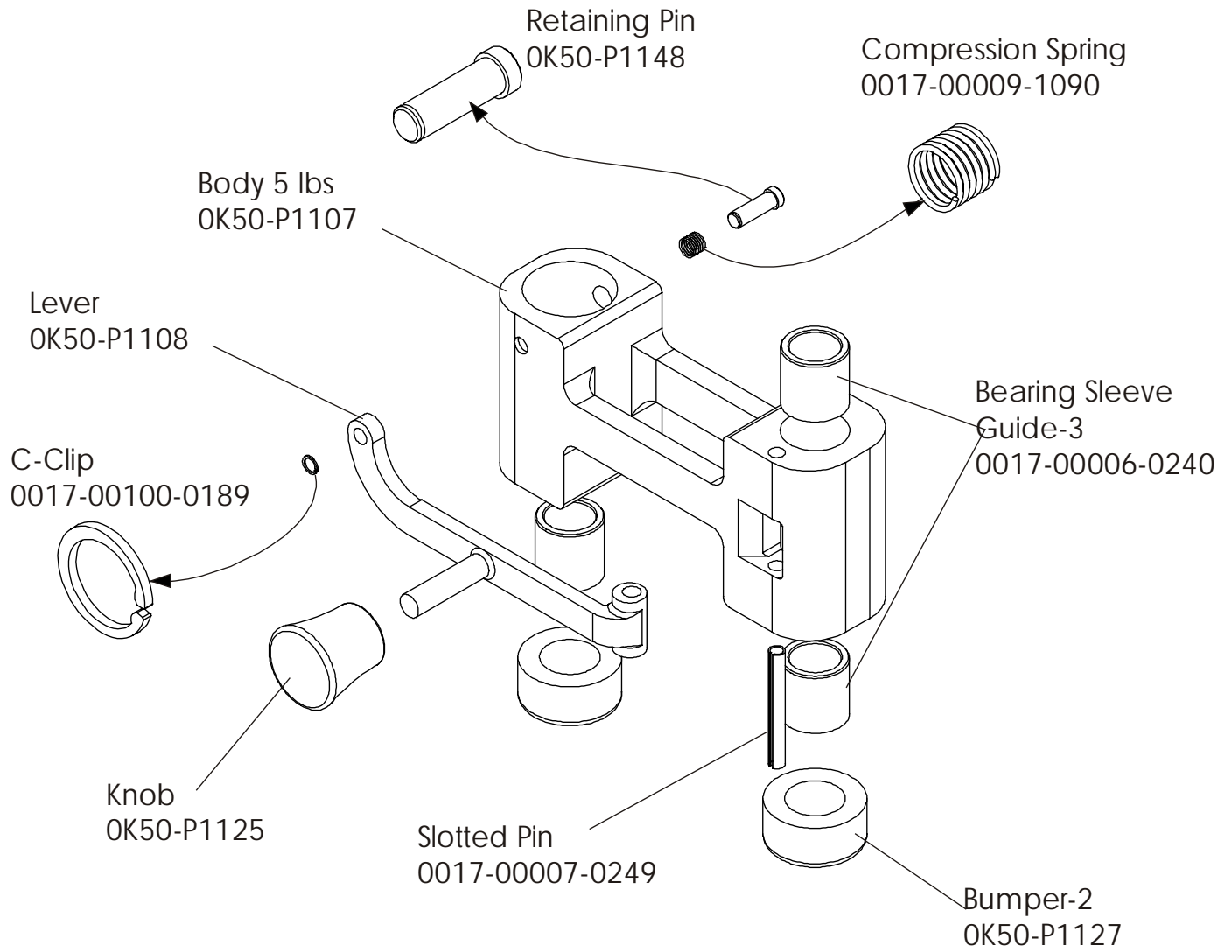
SEAT ROLLER ASSEMBLY



ITEM NO.	QTY.	PART NO.	DESCRIPTION
1	1	0K50-S1006	MTS SEAT #1 (ROLLER)
2	1	AK50-S0040-0000	WELDMENT, PS- ROLLER SEAT HANDLE
3	1	0017-00009-1110	TORSION SPRING, S.S.
4	2	73763	ROLLER ASSM.
5	3	0017-00101-1662	M10 X 64 HXS SOC CS ST ZN
6	3	0017-00103-0223	1/2" THICK NYLOC NUT
7	6	0017-00104-0377	3/8" Internal Lock Washer
8	2	0017-00042-1038	1.5" X 3.0" PLASTIC END CAP

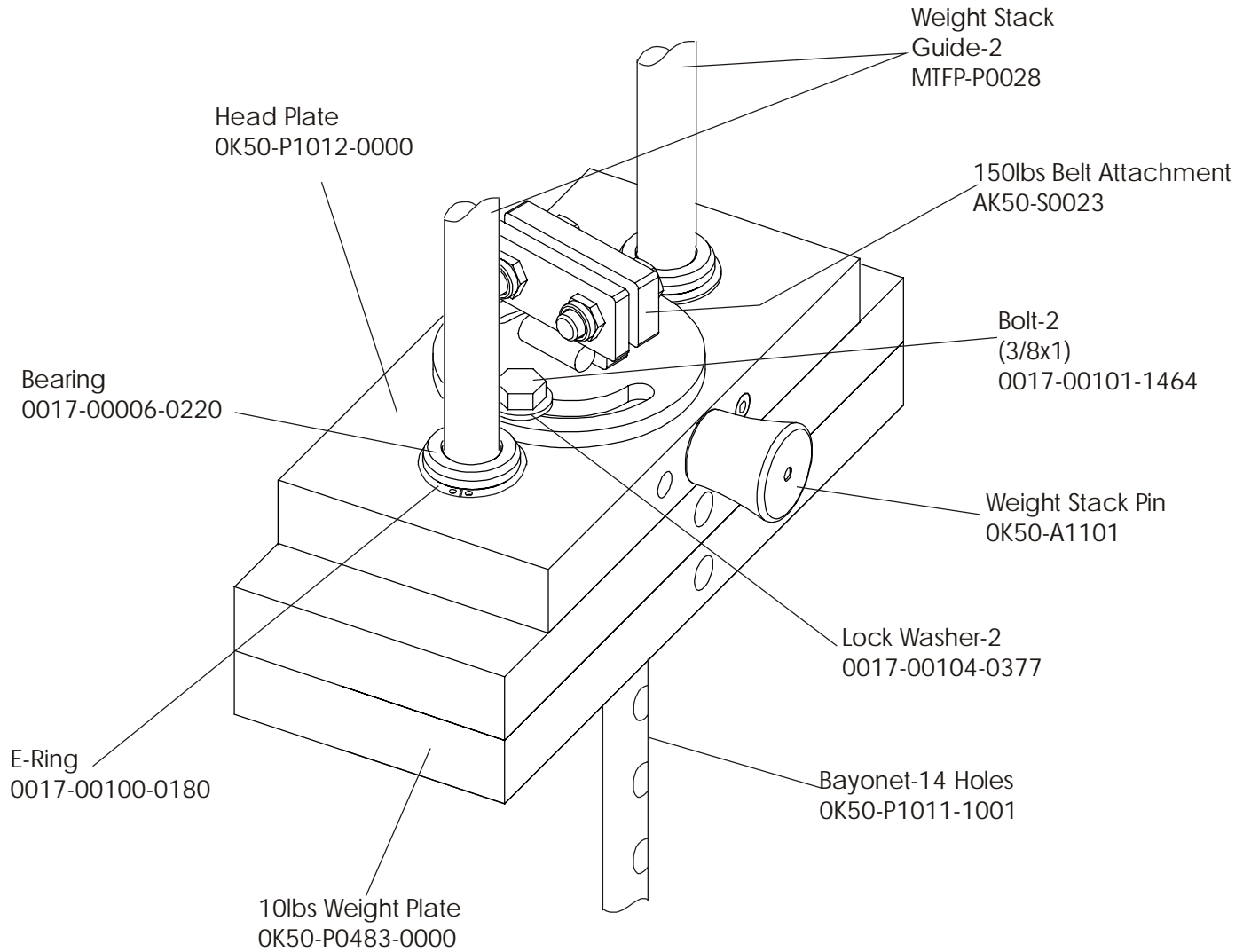
MTIP INCLINE PRESS S/N TIP030001 & ABOVE

INCREMENT WEIGHT



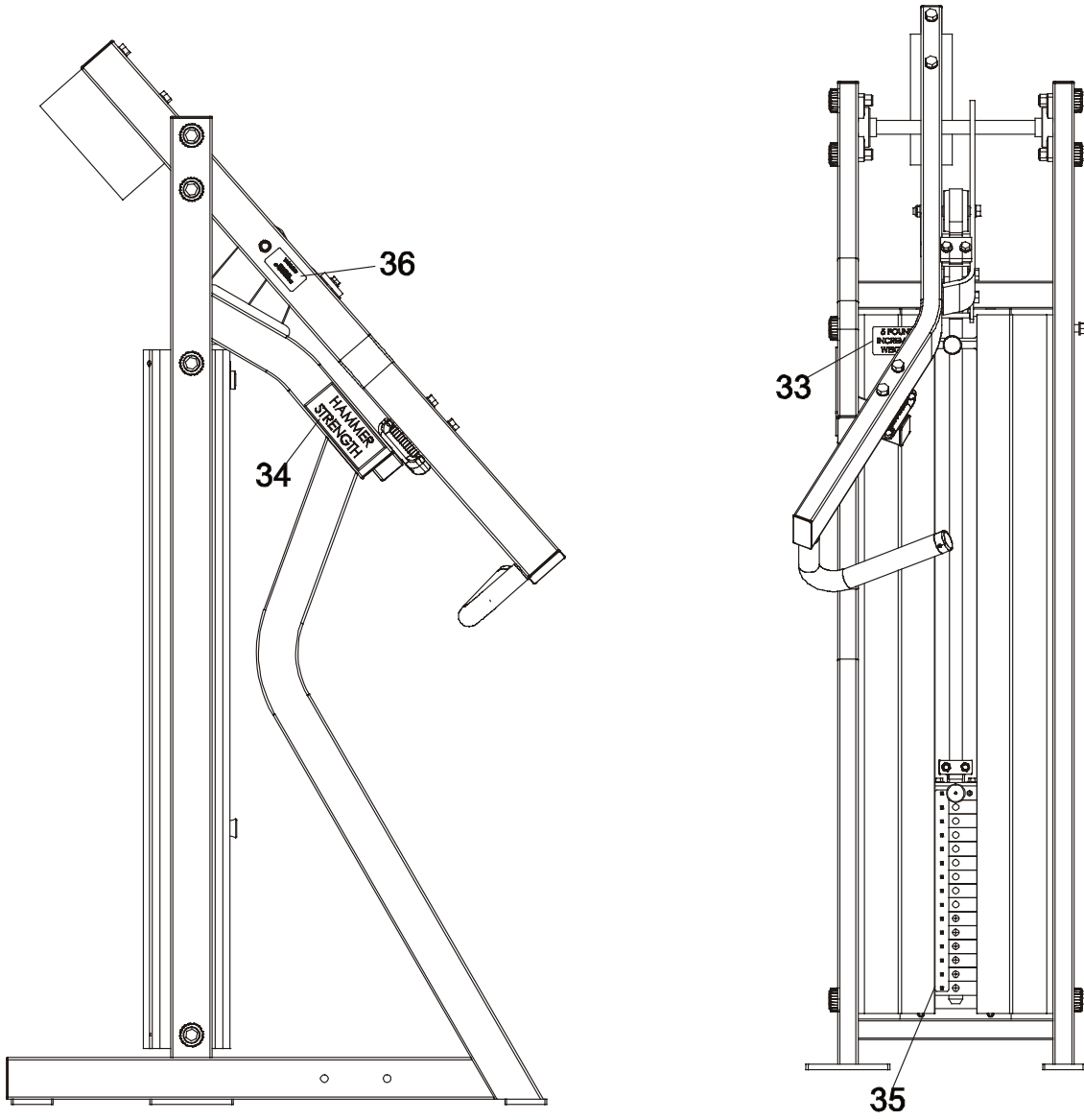
MTIP INCLINE PRESS S/N TIP030001 & ABOVE

WEIGHT STACK



MTIP INCLINE PRESS S/N TIP030001 & ABOVE

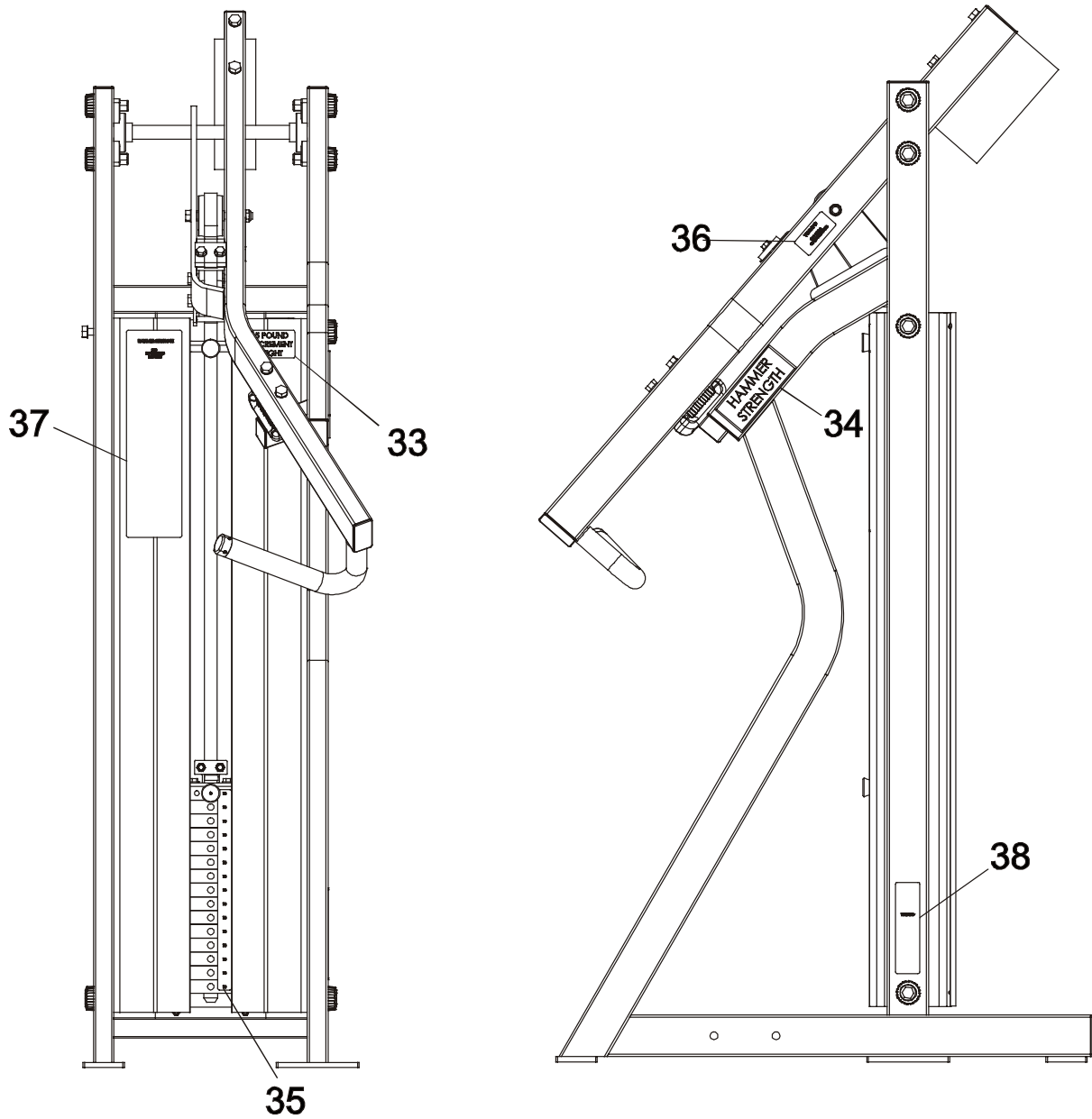
RIGHT SIDE DECALS



ITEM NO.	QTY.	PART NO.	DESCRIPTION
33	1	M051-00297-A000	INCREMENT WT. DECAL (RIGHT)
34	1	M051-00289-A000	HAMMER STRENGTH NAME PLATE
35	1	M051-00294-A000	WEIGHT STACK NUMBER STRIP
36	1	M051-00293-A000	WARNING DECAL

MTIP INCLINE PRESS S/N TIP030001 & ABOVE

LEFT SIDE DECALS



ITEM NO.	QTY.	PART NO.	DESCRIPTION
33	1	M051-00298-A000	INCREMENT WT. DECAL (LEFT)
34	1	M051-00289-A000	HAMMER STRENGTH NAME PLATE
35	1	M051-00294-A000	WEIGHT STACK NUMBER STRIP
36	1	M051-00293-A000	WARNING DECAL
37	1	M051-00291-A000	MTS INCLINE PRESS INSTRUCTIONAL DECAL
38	1	M051-00335-A000	WARNING DECAL