

# DISHWASHER

## Repair Parts List

MODEL NUMBER

MDB8600AWS

When requesting service or ordering parts, always provide the following information:

- Product Type
- Part Number
- Model Number
- Part Description

**MAYTAG**®

©2005 Maytag Services

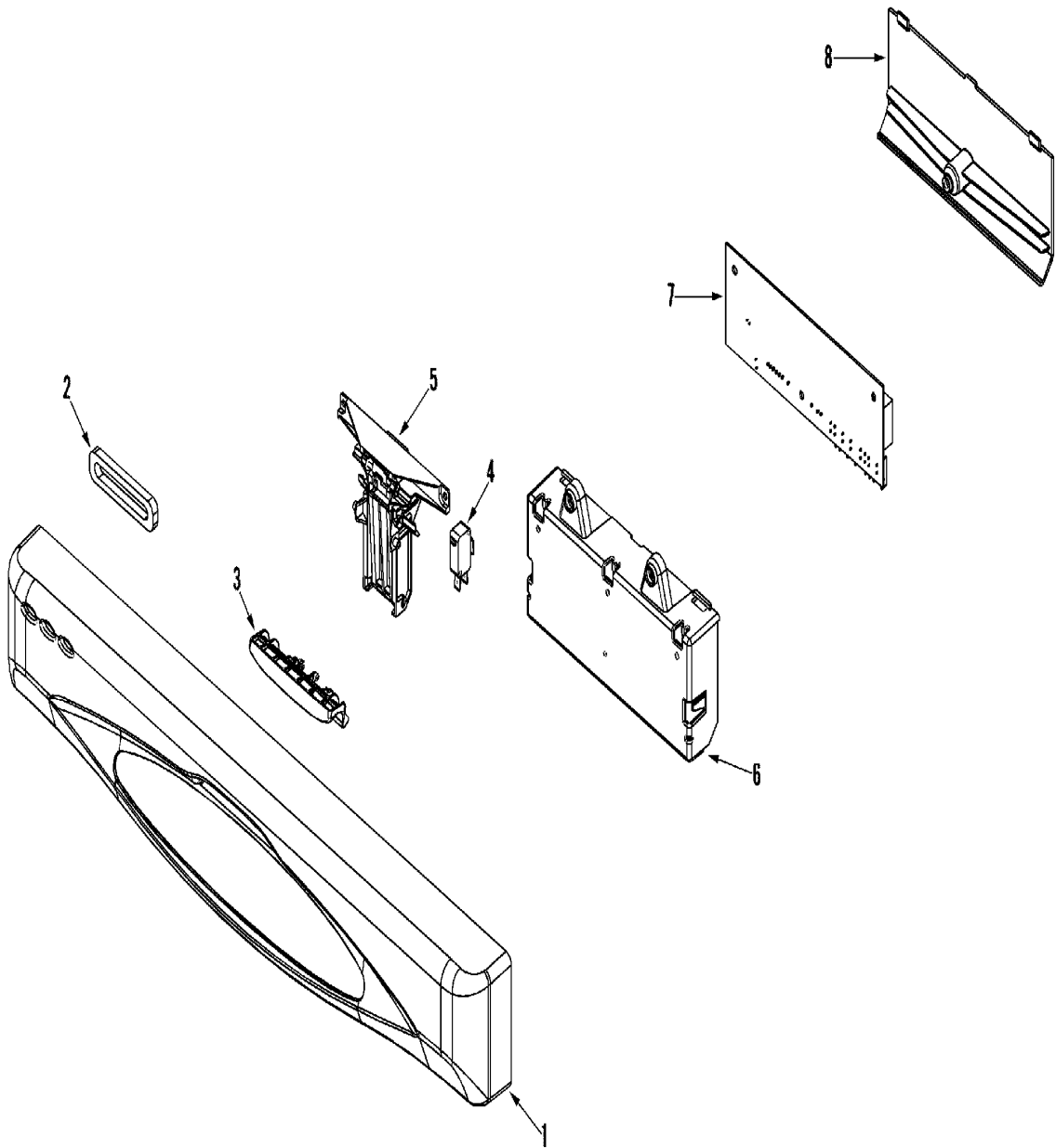
**Section: SUPPLEMENTAL INFORMATION**

No.	Part No.	Description	Series	Qty
-	99002563	MANUAL, USE & CARE (MDB-4)	10	1
-	16021814	TALL TUB SERVICE MANUAL	10	1
- N	99002907	GUIDE, ENERGY	14	1
-	99003119	GUIDE, ENERGY	22	1
-	99003348	GUIDE, ENERGY (REV C)	26	1
-	99002725	GUIDE, ENERGY	10	1
-	99002854	MISC. PARTS PACKAGE	10	1
-	DAX3400AXX	TOE PANEL SPACER KIT (BLK)	10	1
-	DAX3200AXE	TRIM STRIP KIT (WHT)	10	1
-	DAX3200AXN	TRIM STRIP KIT (BSQ)	10	1
-	DAX3000AXW	WOOD PANEL KIT (WHT)	10	1
-	DAX3000AXQ	WOOD PANEL KIT (BSQ)	10	1
-	DAX3000AXB	WOOD PANEL KIT (BLK)	10	1

\*Color Code (-)=Not Shown #=Series, Serial Prefix or Run No., N=Not Available

Section: CONTROL PANEL

Model: MDB8600AWS



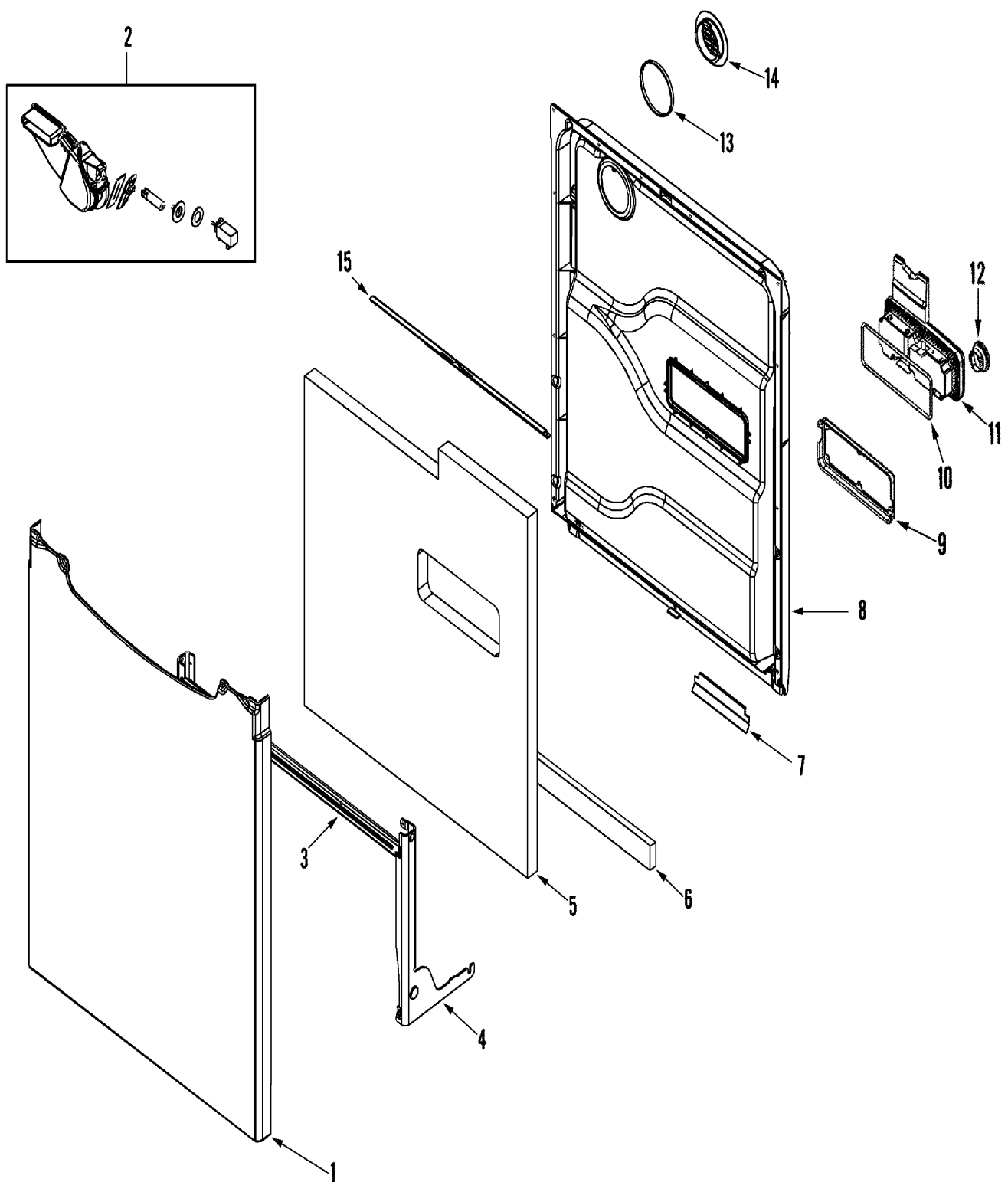
## Section: CONTROL PANEL

No.	Part No.	Description	Series	Qty
-	912615	SCREW, #8X1/2 HEX WASHER HEAD Note: SCREW, PANEL	10	4
1	99002787	PANEL, CONTROL (BLK)	10	1
2	99002573	VENT SEAL, CONTROL PANEL	10	1
3	99002577	HANDLE, LATCH (BLK)	10	1
4	99002751	SWITCH, DOOR	10	2
5	99002580	LATCH ASSEMBLY	10	1
6	99002576	HOUSING, BOARD (BASE)	10	1
-	912615	SCREW, #8X1/2 HEX WASHER HEAD Note: SCREW, HOUSING	10	2
7	99002978	BOARD, CONTROL	19	1
7	99002844	BOARD, CONTROL	11	1
7	99002726	BOARD, CONTROL	10	1
8	99002575	HOUSING, BOARD (TOP)	10	1
-	912615	SCREW, #8X1/2 HEX WASHER HEAD Note: SCREW, HOUSING	10	1
-	99002845	WIRE HARNESS, MICROPROCESSOR	11	1
- N	99002581	WIRE HARNESS, MICROPROCESSOR Note: (NEED TO ORDER CONTROL BOARD KIT 99002864)	10	1
-	99002986	WIRE HARNESS, MICROPROCESSOR	20	1

\*Color Code (-)=Not Shown #=Series, Serial Prefix or Run No., N=Not Available

Section: DOOR

Model: MDB8600AWS



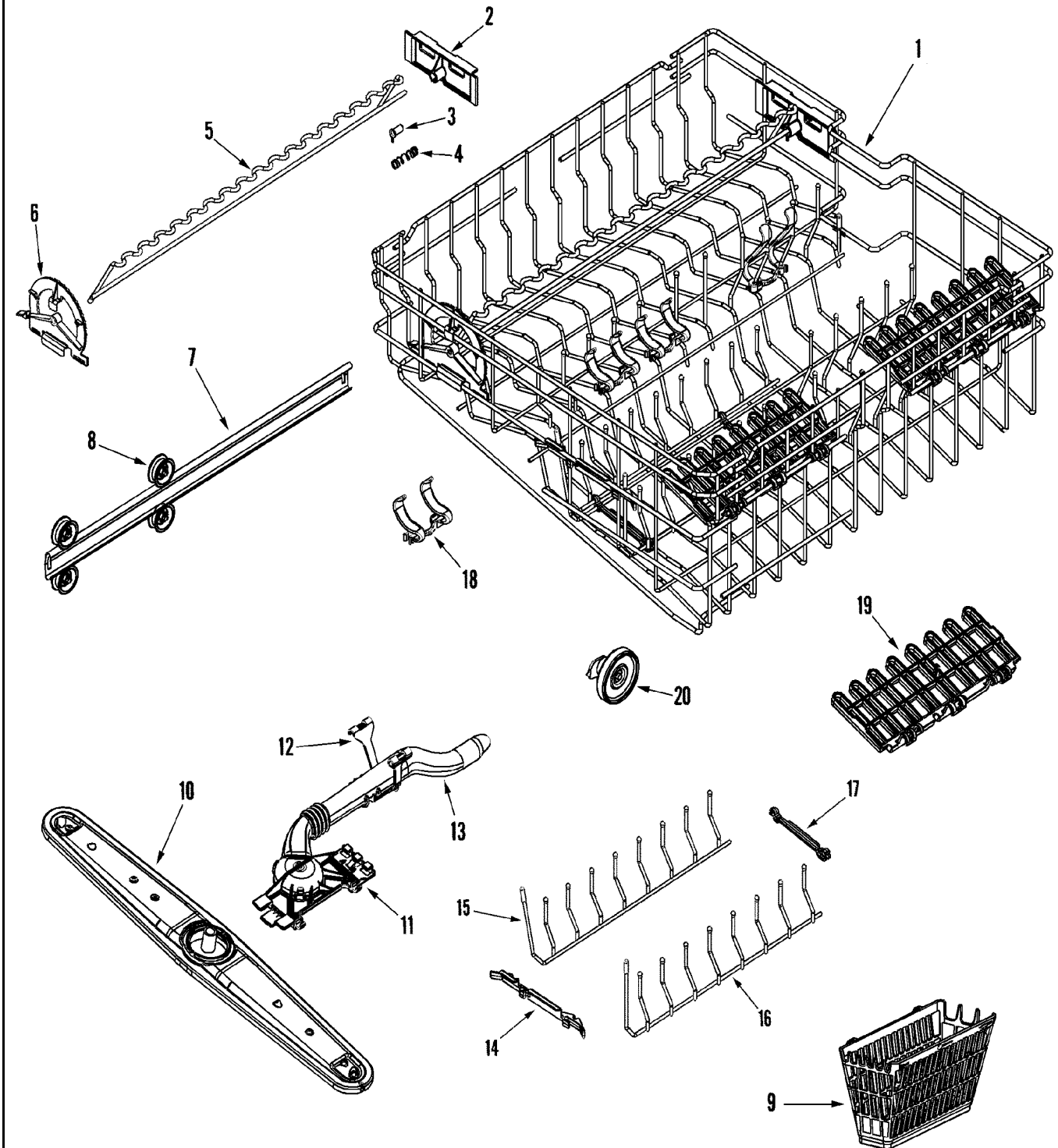
## Section: DOOR

No.	Part No.	Description	Series	Qty
1	99002771	PANEL, DECO (W/DAMPER-STNLS)	10	1
2	99002673	VENT HOUSING ASSEMBLY	10	1
3	N 99002604	CROSSBRACE, HINGE	13	1
3	N 99002604	CROSSBRACE, HINGE	10	2
4	99002929	BRACKET, HINGE (LT)	16	1
-	99001075	SCREW Note: SCREW, BRACKET	10	4
4	W10124350	NOT REQUIRED PART OR SEE NOTE Note: ***SEE NOTE*** (IF YOU NEED THE LEFT OR RIGHTHINGE BRACKET FOR MODELS PRIORTO SERIES 16 ORDER 12002134)	10	1
4	99002930	BRACKET, HINGE (RT)	16	1
5	Y99002587	INSULATION, DOOR	10	1
6	903233	FOAM STRIP, INSULATION	10	1
7	99002589	SEAL, DOOR (BTM)	10	2
-	99002756	PUSHNUT, STAINLESS	10	2
8	99002970	DOOR, INNER (W/DAMPER)	17	1
-	Y912620	SCREW Note: SCREW, DOOR	10	11
8	99002776	DOOR, INNER (W/DAMPER)	10	1
9	99002613	BRACKET, DISPENSER MOUNTING	10	1
-	912615	SCREW, #8X1/2 HEX WASHER HEAD Note: SCREW, BRACKET	10	6
10	99002270	SEAL, BASE	10	1
11	99002611	RINSE AID/DETERGENT DISPENSER	10	1
12	99002614	KNOB, RINSE AID (W/O-RING)	10	1
13	99002186	SEAL, DOOR VENT	10	1
14	99002590	BEZEL, DOOR VENT	10	1
-	Y912620	SCREW Note: SCREW, REINFORCEMENT	10	3
15	99002586	REINFORCEMENT, INNER DOOR	10	1

\*Color Code (-)=Not Shown #=Series, Serial Prefix or Run No., N=Not Available

Section: RACK ASSEMBLY (UPR)

Model: MDB8600AWS



DW15-99

## Section: RACK ASSEMBLY (UPR)

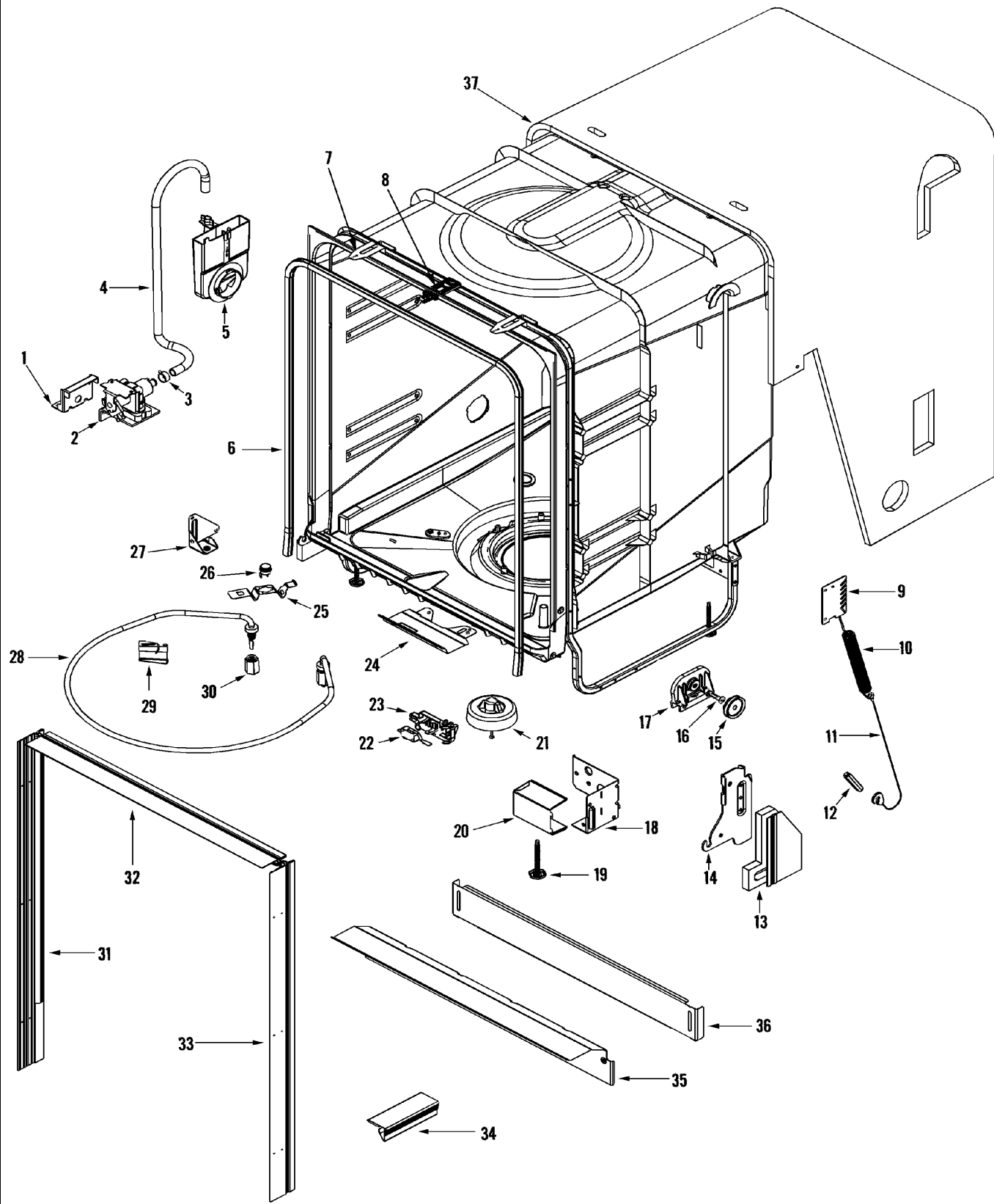
No.	Part No.	Description	Series	Qty
-	99002905	CAP, RACK (DARK GRAY)	10	1
1	99003019	RACK ASSEMBLY (UPR)	23	1
1	99002742	RACK ASSEMBLY (UPR)	10	1
2	99002712	VARILOCK (REAR)	10	1
3	99002714	CUP, VARILOCK	10	1
4	99002715	SPRING, VARILOCK	10	1
5	99002713	SUPPORT, VARILOCK	10	1
6	99002711	VARILOCK (FRT)	10	1
-	99002623	STOP, RACK (GRAY)	10	4
7	99002621	TRACK, RACK	10	2
-	Y912798	WASHER, TUB WHEEL	10	8
-	99002343	SHAFT, TUB WHEEL	10	8
8	99002622	WHEEL, TUB	10	8
9	99002620	BASKET, AUXILLARY (BLUE)	10	1
10	99002624	ARM, WASH (UPR)	10	1
11	99002669	CLIP, UPR WASH MANIFOLD (FRT)	10	1
12	99002670	CLIP, UPR WASH MANIFOLD (BACK)	10	1
13	99002679	WASH MANIFOLD ASSY (UPR)	10	1
14	99002710	LATCH, FOLD AWAY TINE	10	1
15	99002708	TINE, FOLD AWAY (LT)	10	1
16	99002707	TINE, FOLD AWAY (RT)	10	1
17	99002709	PIVOT, FOLD AWAY TINE	10	2
18	99002696	CLIP, CUP (BLUE)	10	3
19	99002671	SHELF, CUP (UPR)	10	2
20	99002781	WHEEL ASSEMBLY (UPR)	10	4

\*Color Code (-)=Not Shown #=Series, Serial Prefix or Run No., N=Not Available



Section: TUB

Model: MDB8600AWS



DW13-94

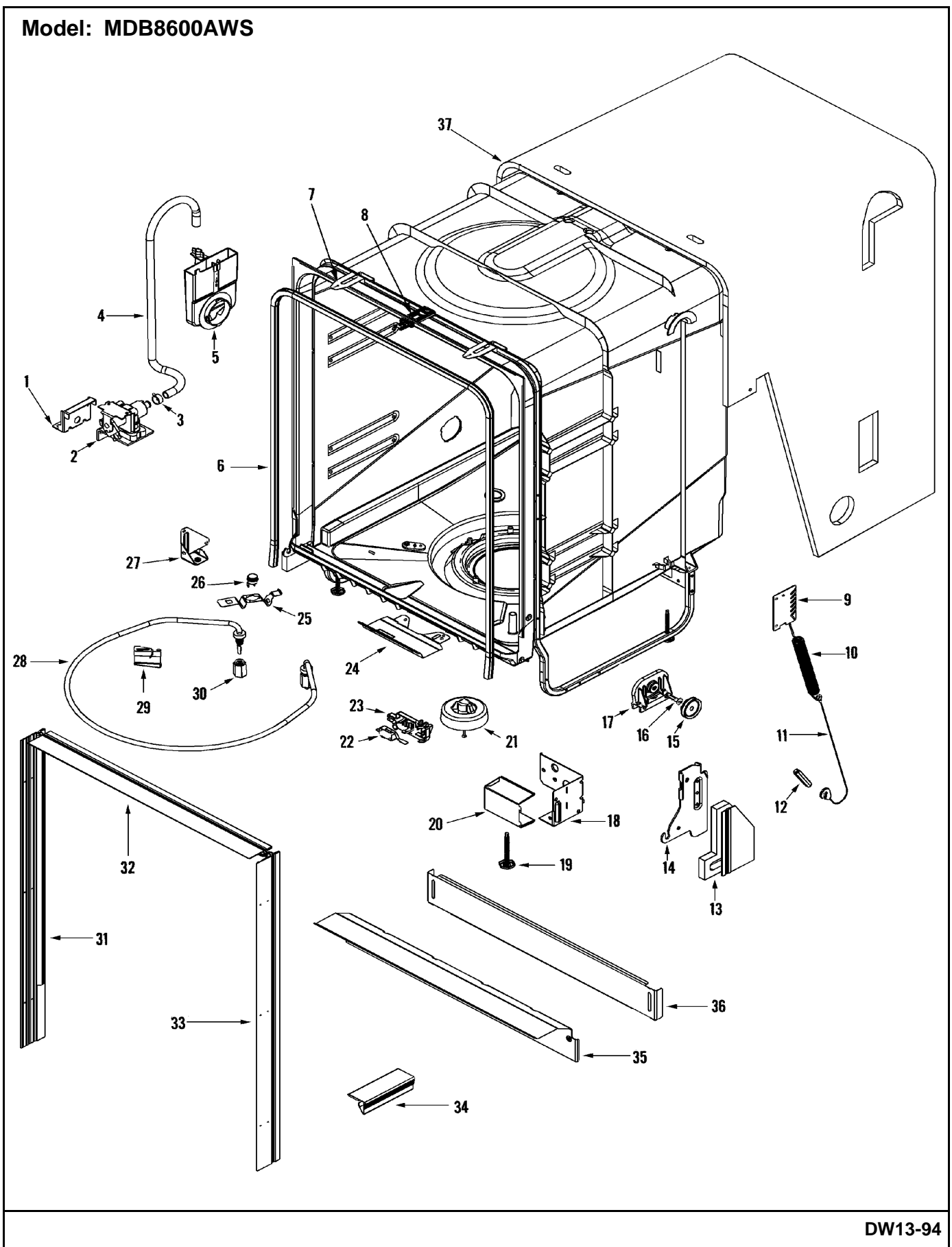
## Section: TUB

No.	Part No.	Description	Series	Qty
1	99002629	BRACKET, WATER VALVE	10	1
-	99002601	SCREW 10-32X.400 (T-20 HEAD) Note: SCREW, BRACKET	10	2
-	99002553	SCREW-#8X7/16 HEX WASHER HEAD Note: SCREW, VALVE	10	2
2	99002628	VALVE, WATER	10	1
2	99002975	VALVE, WATER	19	1
3	911856	CLAMP, SPRING	10	1
4	99002852	HOSE, INJECTOR	10	1
- N	99002955	FOAM BLOCK, AIR/WATER INLET Note: (APPLY TO PLASTIC TUB BELOW AIR WATER INLET)	10	1
-	99002646	SEAL, AIR/WATER INLET	10	1
-	99002647	COVER, AIR/WATER INLET	10	1
-	99002867	FOAM INSERT, AIR/WATER INLET	10	2
- N	99002954	FELT, AIR/WATER INLET Note: (APPLY TO PLASTIC TUB BELOW AIR WATER INLET)	10	1
5	99002645	INLET, AIR/WATER	10	1
6	99002588	SEAL, DOOR	10	1
7	99002648	BRACKET, CABINET MOUNTING	10	2
-	99002601	SCREW 10-32X.400 (T-20 HEAD) Note: SCREW, STRIKER	10	1
8	99002644	STRIKER, DOOR	10	1
-	99002601	SCREW 10-32X.400 (T-20 HEAD) Note: SCREW, BRACKET	10	4
9	99002610	BRACKET, SPRING ADJUSTMENT	10	2
10	99002598	SPRING, DOOR	10	2
11	99002605	CABLE, DOOR	10	2
12	99002606	LINK, DOOR CABLE	10	2
13	99002762	BACKER, HINGE SEAL (RT)	10	1
-	99002761	BACKER, HINGE SEAL (LT)	10	1
14	99002763	SUPPORT, HINGE (RT)	10	1
14	99002764	SUPPORT, HINGE (LT)	10	1
-	99002601	SCREW 10-32X.400 (T-20 HEAD) Note: SCREW, SUPPORT	10	4
15	99002608	ROLLER, CABLE BRACKET	10	2
16	99002609	SHOULDER BOLT, CABLE BRACKET	10	2
17	99002607	BRACKET, CABLE	10	2
-	99002601	SCREW 10-32X.400 (T-20 HEAD) Note: SCREW, BRACKET	10	4
-	99002601	SCREW 10-32X.400 (T-20 HEAD) Note: SCREW, BRACKET	10	2
18	99002637	BRACKET, JUNCTION BOX SUPPORT	10	1
19	99002635	LEG, LEVELING	10	4
20	99002638	COVER, JUNCTION BOX	10	1
-	912365	SCREW Note: SCREW, COVER	10	1
21	99002630	FLOAT	10	1
22	99002631	SWITCH, FLOAT	10	1
-	99002749	SCREW, STEEL HEX HD PLASITE Note: SCREW, PLATE	10	1
23	99002632	PLATE, SWITCH MOUNTING	10	1
-	99002858	CLIP, TINNERMAN	12	1
-	99002754	CLIP, WIRE	10	1
-	99002855	CLAMP, HARNESS	12	1
24	99002641	SHIELD, TUB	10	1
-	99002749	SCREW, STEEL HEX HD PLASITE Note: SCREW, SHIELD	10	1
24	99002856	SHIELD, TUB	12	1
25	99002634	CLIP, THERMOSTAT	10	1
26	99002633	THERMOSTAT, LIMITING	10	1
27	99002636	BRACKET, SUPPORT (LT)	10	1
-	99002601	SCREW 10-32X.400 (T-20 HEAD) Note: SCREW, BRACKET	10	2
28	99002625	HEATER	10	1
28	99002971	HEATER (W/GASKET)	18	1
-	99002973	GASKET, HEATER	18	2
29	99002626	BRACKET, HEATER SUPPORT	10	2
30	99002972	NUT, HEATER	18	2
30	99002627	NUT, HEATER	10	2

\*Color Code (-)=Not Shown #=Series, Serial Prefix or Run No., N=Not Available

Section: TUB

Model: MDB8600AWS



DW13-94

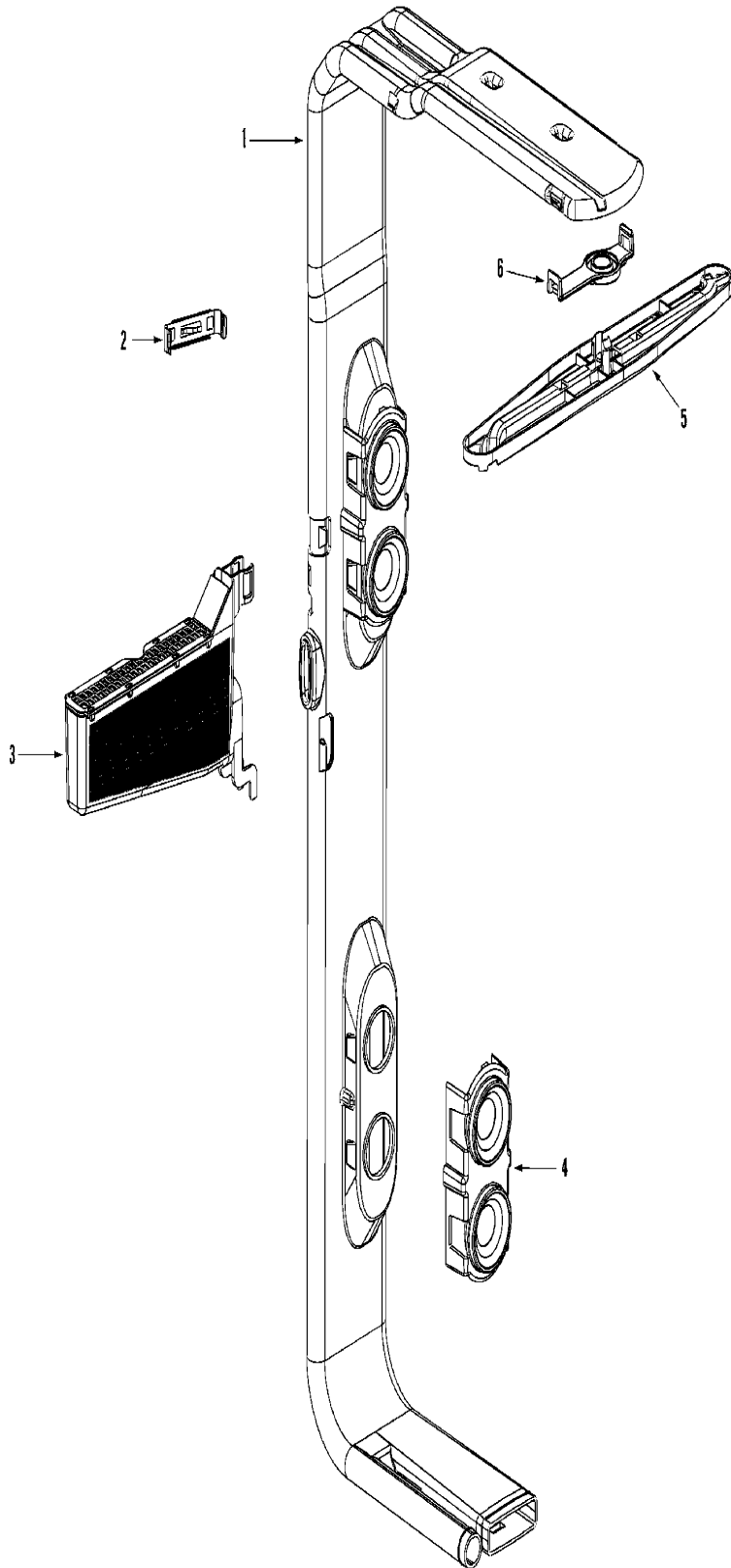
**Section: TUB**

No.	Part No.	Description	Series	Qty
-	Y913079	O-RING, HEATER	10	2
31	99002690	STRIP, TRIM/MOUNTING (LT)	10	1
-	99002692	SCREW, TRIM MOUNTING	10	4
32	99002723	STRIP, TRIM/MOUNTING (TOP)	10	1
33	99002691	STRIP, TRIM/MOUNTING (RT)	10	1
-	99002692	SCREW, TRIM MOUNTING	10	4
34	99002701	GAP SEAL, TOE KICK (BLK)	10	2
35	99002859	SUPPORT, FRONT (W/SEALS)(BLK)	10	1
-	912366	SCREW --++*** Note: SCREW, SUPPORT (BLK)	10	2
36	99002765	PANEL, TOE (W/DAMPER-BLK)	10	1
-	99002694	SOUND SEAL, TOE PANEL (BLK)	10	1
-	912366	SCREW --++*** Note: SCREW, PANEL (BLK)	10	2
-	99002640	FASTENER, INSULATION	10	2
37	99002849	INSULATION, TUB	10	1

\*Color Code (-)=Not Shown #=Series, Serial Prefix or Run No., N=Not Available

**Section: WATER DISTRIBUTION ASSEMBLY**

**Model: MDB8600AWS**



DW14-60

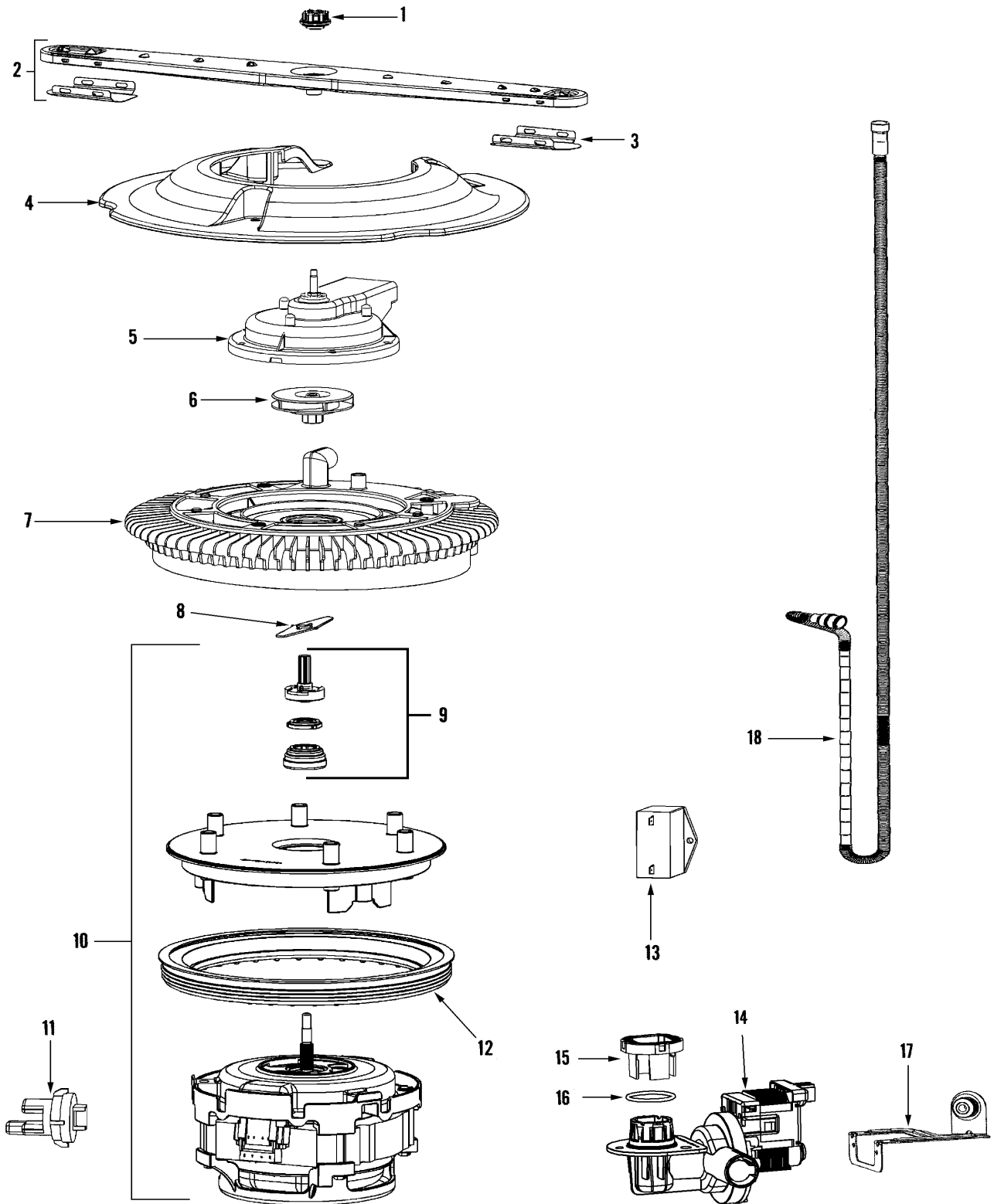
**Section: WATER DISTRIBUTION ASSEMBLY**

No.	Part No.	Description	Series	Qty
1	99002738	MANIFOLD, MAIN MULTI-LEVEL	10	1
2	99002643	BRACKET, MANIFOLD MOUNTING	10	2
-	W10124350	NOT REQUIRED PART OR SEE NOTE Note: (PART NO LONGER NEEDED AT SERIES 25)	25	0
3	99002846	FILTER, OVER-PRESSURE (W/CVR)	10	1
4	99002674	STATION, DOCKING (W/FLAPPER)	10	2
5	99002676	WASH ARM, TOP (W/RETAINER)	10	1
6	99002753	RETAINER, TOP WASH ARM	10	1

\*Color Code (-)=Not Shown #=Series, Serial Prefix or Run No., N=Not Available

Section: PUMP & MOTOR

Model: MDB8600AWS



DW14-59

## Section: PUMP & MOTOR

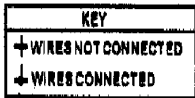
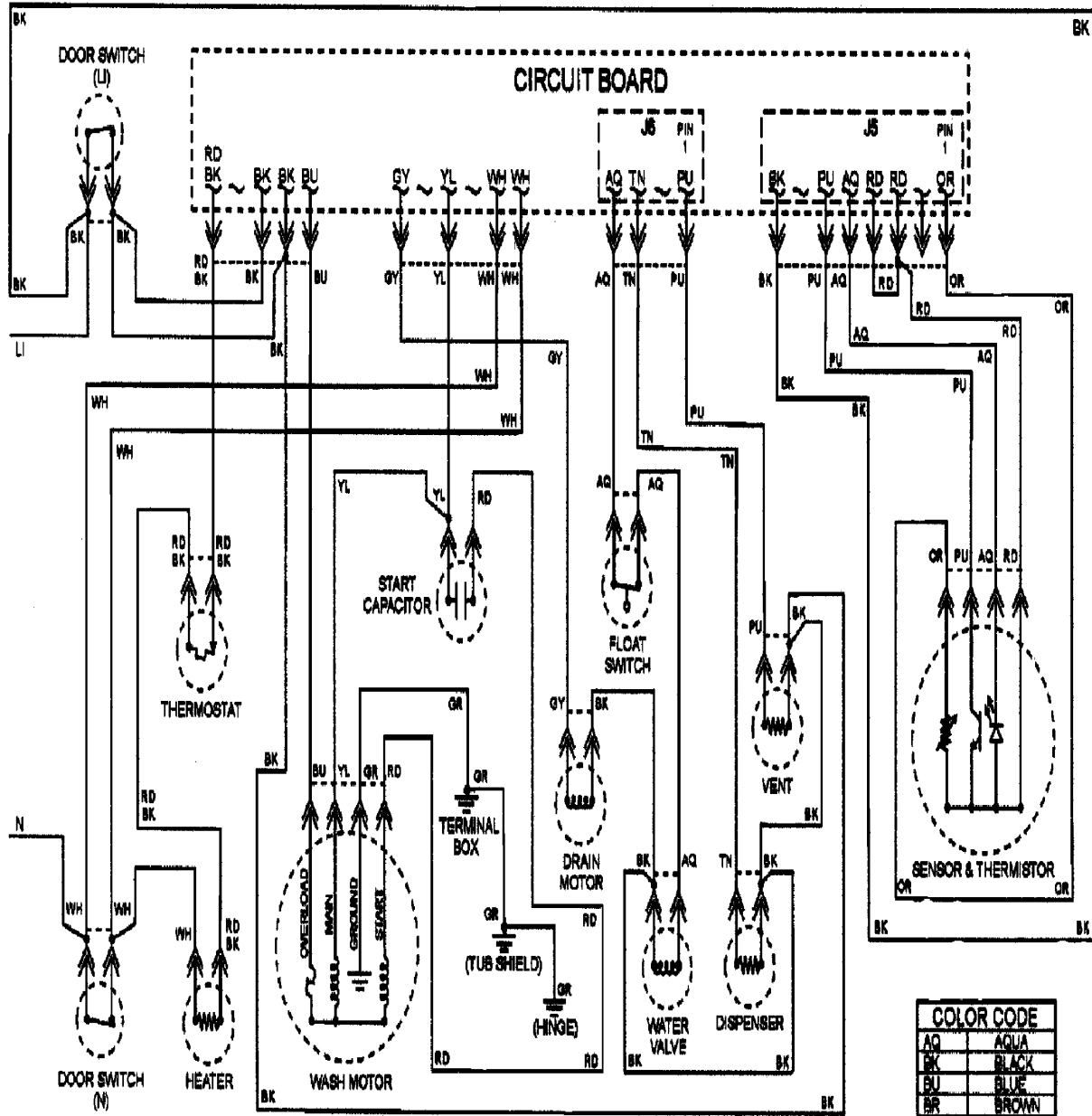
No.	Part No.	Description	Series	Qty
1	99002654	CAP, WASH ARM	10	1
2	99002678	WASH ARM, LOWER (W/SHIELDS)	10	1
3	99002653	SHIELD, RADIANT	10	2
-	99002666	SCREW Note: SCREW, GUARD	10	3
4	99002655	GUARD, FILTER (GRAY)	10	1
5	99002677	DISCHARGE HOUSING ASSY (UPR)	10	1
-	99002664	SCREW, DISCHARGE HOUSING	10	6
6	99002741	WASH IMPELLER ASSEMBLY	10	1
-	99002660	SCREW, IMPELLER	10	1
7	99002661	FILTER/FLOWPLATE ASSEMBLY	10	1
-	99002668	SCREW, STAINLESS PAN HEAD Note: SCREW, FILTER/FLOWPLATE	10	3
8	99002658	CHOPPER	10	1
9	99002981	WASH MOTOR SEAL KIT	20	1
9	99002760	WASH MOTOR SEAL KIT	10	1
10	99002759	WASH MOTOR ASSY SEAL NOT INCL Note: ORIG PART HAS SEAL. SUB PART WILL NOT HAVE SEAL. ORDER SEAL SEPERATELY.	10	1
10	99002980	WASH MOTOR ASSY SEAL NOT INCL	20	1
-	99002651	O-RING, TURBIDITY SENSOR	10	1
11	99002650	SENSOR, TURBIDITY	10	1
-	912615	SCREW, #8X1/2 HEX WASHER HEAD Note: SCREW, SENSOR	10	2
12	99002663	GASKET, PUMP	10	1
-	99002601	SCREW 10-32X.400 (T-20 HEAD) Note: SCREW, CAPACITOR	10	1
13	99002665	CAPACITOR, MOTOR	10	1
14	99002750	DRAIN PUMP ASSEMBLY	10	1
-	99002815	FLAPPER, DRAIN PUMP VALVE	10	1
15	99003058	FLAPPER, DRAIN FILTER	10	1
16	99002857	O-RING, DRAIN PUMP	10	1
-	99002657	SCREW, DRAIN PUMP MOUNTING	10	1
17	99002752	BRKT, DRAIN PUMP (W/GROMMET)	10	1
-	99002656	CLAMP, DRAIN HOSE (1-3/8")	10	1
18	99002652	HOSE, DRAIN	10	1

\*Color Code (-)=Not Shown #=Series, Serial Prefix or Run No., N=Not Available



# Section: WIRING INFORMATION

Model: MDB8600AWS



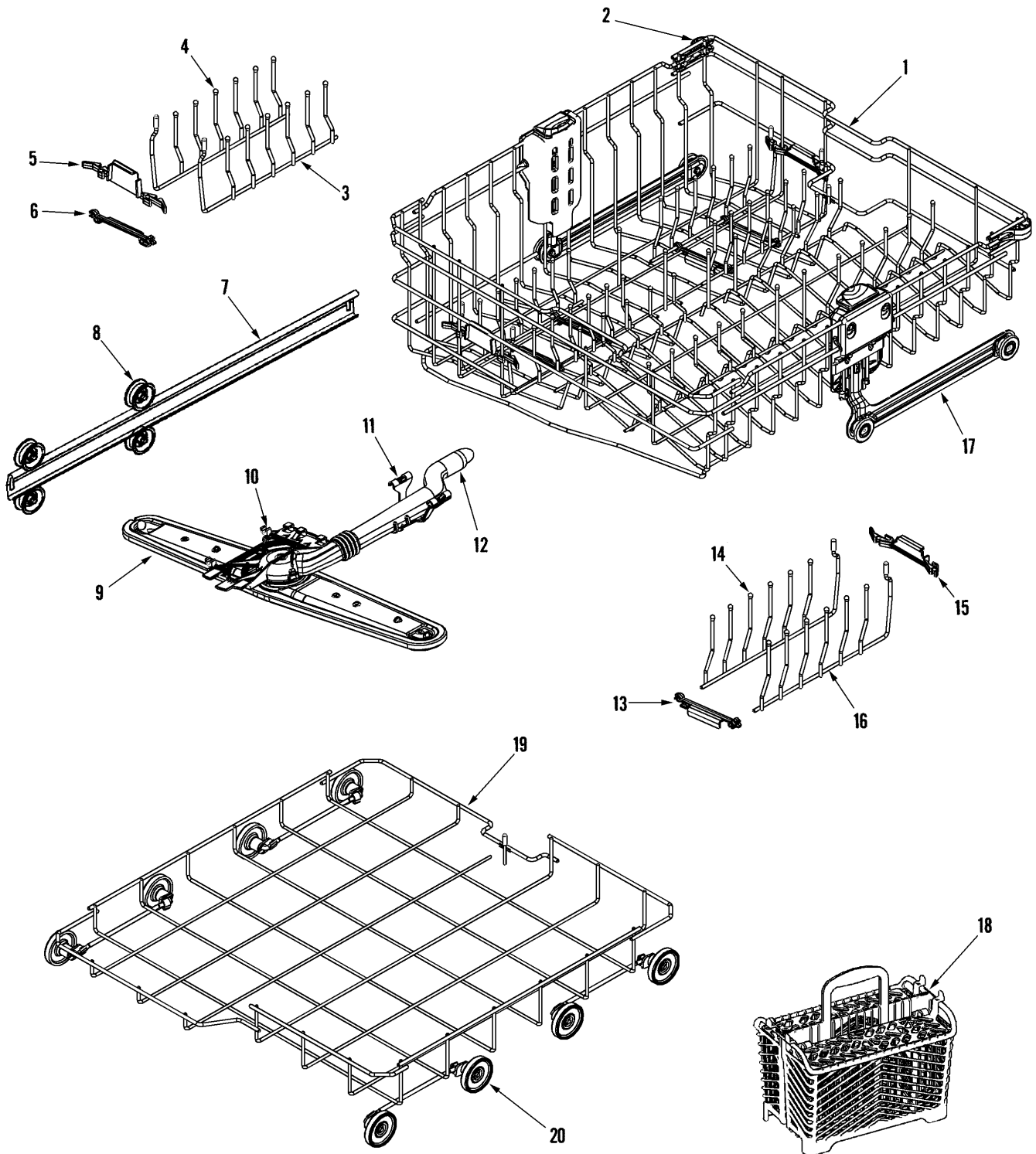
NOTE: SOME WIRES HAVE STRIPES. STRIPED WIRES ARE LABELED WITH THE SOLID COLOR FIRST AND THE STRIPE COLOR SECOND.

EXAMPLE: A RED WIRE WITH A BLACK STRIPE WOULD BE LABELED RD BK

COLOR CODE	
AQ	AQUA
BK	BLACK
BU	BLUE
BR	BROWN
GY	GRAY
GN	GREEN
OR	ORANGE
PK	PINK
PU	PURPLE
RD	RED
TN	TAN
WH	WHITE
YL	YELLOW

Section: RACK ASSEMBLY (MIDDLE/LWR)

Model: MDB8600AWS



DW15-100

## Section: RACK ASSEMBLY (MIDDLE/LWR)

No.	Part No.	Description	Series	Qty
-	99002905	CAP, RACK (DARK GRAY)	10	1
1	99002727	RACK ASSEMBLY (MIDDLE)	10	1
1	99003207	RACK ASSEMBLY (MIDDLE)	23	1
2	99002853	SNUGGER, RACK	10	2
3	Y00000000	SEE NOTE Note: FOR RIGHT TINE ORDER FRONT TINE ASSY(PART 99003639)	10	1
4	Y00000000	SEE NOTE Note: FOR LEFT TINE ORDER FRONT TINE ASSY(PART 99003639)	10	1
5	99002737	LATCH, FOLD AWAY TINE (FRT)	10	1
6	99002735	PIVOT, FOLD AWAY TINE	10	2
7	99002621	TRACK, RACK	10	2
-	99002623	STOP, RACK (GRAY)	10	4
-	99002343	SHAFT, TUB WHEEL	10	8
8	99002622	WHEEL, TUB	10	8
-	Y912798	WASHER, TUB WHEEL	10	8
-	99002740	SCREW, TRUSS HEAD (10-18X.75) Note: SCREW, WASH ARM	10	1
9	99002739	ARM, WASH (MIDDLE)	10	1
10	99002732	CLIP, MIDDLE MANIFOLD (FRT)	10	1
11	99002758	CLIP, MIDDLE MANIFOLD (BACK)	10	1
12	99002793	WASH MANIFOLD ASSY (MIDDLE)	10	1
13	99002735	PIVOT, FOLD AWAY TINE	10	2
14	Y00000000	SEE NOTE Note: FOR LEFT TINE ORDER REAR TINE ASSEMBLY (PART 99003640)	10	1
15	99002736	LATCH, FOLD AWAY TINE (REAR)	10	1
16	Y00000000	SEE NOTE Note: FOR RIGHT TINE ORDER REAR TINEASSEMBLY (PART 99003640)	10	1
-	99003020	STABILIZER, RACK ADJUSTER	23	1
-	99003178	LEVER, ADJUSTER (BLUE)	23	2
17 N	99002783	ADJUSTER, RACK (RT) Note: (MUST ORDER RACK ASSEMBLY)	10	1
-	99003010	SCREW (T15) 8-18 X .500	23	11
- N	99002782	ADJUSTER, RACK (LT) Note: (MUST ORDER RACK ASSEMBLY)	10	1
-	99003009	RACK ADJUSTER ASSEMBLY (RT)	23	1
-	99003008	RACK ADJUSTER ASSEMBLY (LT)	23	1
-	99003011	COVER, RACK ADJUSTER (GRAY)	23	2
-	99002730	BASKET, SPLIT/FIT	10	2
-	99002731	COVER, SPLIT/FIT BASKET	10	2
18	99002729	SPLIT/FIT BASKET	10	1
19	99002962	PAN RACK ASSEMBLY	17	1
-	99002905	CAP, RACK (DARK GRAY)	10	1
19	99002728	PAN RACK ASSEMBLY	10	1
20	99002780	WHEEL ASSEMBLY (LWR)	10	8

\*Color Code (-)=Not Shown #=Series, Serial Prefix or Run No., N=Not Available

