

# HP ProLiant MicroServer User Guide

## Abstract

This document is for the person who installs, administers, and troubleshoots servers and storage systems. HP assumes you are qualified in the servicing of computer equipment and trained in recognizing hazards in products with hazardous energy levels.



Part Number: 615717-006  
December 2012  
Edition: 6

© Copyright 2010, 2012 Hewlett-Packard Development Company, L.P.

The information contained herein is subject to change without notice. The only warranties for HP products and services are set forth in the express warranty statements accompanying such products and services. Nothing herein should be construed as constituting an additional warranty. HP shall not be liable for technical or editorial errors or omissions contained herein.

Microsoft®, Windows®, and Windows Server® are U.S. registered trademarks of Microsoft Corporation.

AMD® is a trademark of Advanced Micro Devices, Inc.

---

# Contents

Operations.....	6
Power up the server .....	6
Power down the server.....	6
Open the panel door .....	6
Setup.....	8
Optional installation services .....	8
Optimum environment.....	8
Temperature requirements.....	8
Power requirements .....	8
Electrical grounding requirements .....	9
Installing hardware options.....	9
Powering up and configuring the server .....	9
Installing the operating system.....	10
Registering the server.....	10
Hardware options installation.....	11
Introduction .....	11
Preventing electrostatic discharge .....	11
Removal and replacement tools.....	12
Server warnings and cautions .....	12
HP MicroServer Remote Access Card.....	13
Resetting the MicroServer Remote Access Card password to default.....	13
SATA drive options.....	14
Optical disc drive.....	16
RDX drive option .....	20
Memory options.....	24
Memory subsystem architecture .....	24
Single-rank and dual-rank DIMMs.....	25
UDIMM maximum memory configurations.....	25
Installing DIMMs .....	25
HP Trusted Platform Module option .....	27
Installing the Trusted Platform Module board .....	28
Retaining the recovery key/password .....	29
Enabling the Trusted Platform Module.....	30
Software and configuration utilities .....	31
ROM-Based Setup Utility .....	31
Auto-configuration process.....	31
Boot options .....	31
ProLiant MicroServer Insight Diagnostics.....	32
Management tools.....	32
MicroServer Remote Access Card .....	32
USB support.....	32
Keeping the system current .....	32
Current drivers and utilities .....	32
Operating System Version Support .....	33

Subscriber's choice .....	33
Embedded SATA RAID feature .....	33
Configuring the SATA RAID feature.....	33
Enabling the SATA RAID feature in RBSU.....	33
Creating a RAID volume .....	33
Installing the embedded SATA RAID driver .....	34
Required hardware .....	34
USB diskette and CD-ROM drives .....	34
Installing the Embedded SATA RAID driver with a USB diskette drive.....	35
Installing the Embedded SATA RAID driver by using Virtual Floppy .....	35
Installing an operating system .....	35
Installing a supported Microsoft® Windows® OS.....	36
Installing a supported Linux OS .....	36
<b>Troubleshooting .....</b>	<b>37</b>
Pre-diagnostic steps .....	37
Important safety information.....	37
Symptom information .....	39
Preparing the server for diagnosis.....	40
Common problem resolution .....	41
Troubleshooting flowcharts .....	43
Start diagnosis flowchart .....	43
General diagnosis flowchart .....	44
Power-on problems flowchart .....	46
POST problems flowchart .....	47
OS boot problems flowchart .....	49
Server fault indications flowchart .....	50
Hardware problems.....	51
Power problems .....	52
General hardware problems .....	53
Internal system problems.....	56
System open circuits and short circuits.....	62
External device problems.....	62
Mouse and keyboard problems.....	63
Network controller problems .....	64
Software problems .....	65
Operating system problems .....	65
Operating system updates .....	66
Restoring to a backed-up version .....	66
When to reconfigure or reload software .....	67
Linux operating systems.....	67
Application software problems .....	67
Firmware maintenance.....	68
Types of ROM.....	68
ROMPaq utility diskette or USB drive key.....	69
Current firmware versions .....	69
Updating firmware .....	69
Drivers .....	70
Operating system information you need .....	70
<b>Battery replacement .....</b>	<b>72</b>
<b>Regulatory compliance notices .....</b>	<b>74</b>
Regulatory compliance identification numbers.....	74

Federal Communications Commission notice.....	74
FCC rating label.....	74
FCC Notice, Class A Equipment.....	74
FCC Notice, Class B Equipment.....	74
Declaration of conformity for products marked with the FCC logo, United States only.....	75
Modifications.....	75
Cables.....	75
Canadian notice (Avis Canadien).....	75
European Union regulatory notice.....	76
Disposal of waste equipment by users in private households in the European Union.....	76
Japanese notice.....	77
BSMI notice.....	77
Korean notice.....	77
Chinese notice.....	78
Laser compliance.....	78
Battery replacement notice.....	78
Taiwan battery recycling notice.....	79
Power cord statement for Japan.....	79
Acoustics statement for Germany (Geräuschemission).....	79
<b>Electrostatic discharge.....</b>	<b>80</b>
Preventing electrostatic discharge.....	80
Grounding methods to prevent electrostatic discharge.....	80
<b>Support and other resources.....</b>	<b>81</b>
HP contact information.....	81
Customer Self Repair.....	81
Before you contact HP.....	88
<b>Acronyms and abbreviations.....</b>	<b>89</b>
<b>Documentation feedback.....</b>	<b>91</b>
<b>Index.....</b>	<b>92</b>

---


# Operations

## Power up the server

To power up the server, press the Power On/Standby button.

## Power down the server

---

 **WARNING:** To reduce the risk of personal injury, electric shock, or damage to the equipment, remove the power cord to remove power from the server. The front panel Power On/Standby button does not completely shut off system power. Portions of the power supply and some internal circuitry remain active until AC power is removed.

---

 **IMPORTANT:** If installing a hot-plug device, it is not necessary to power down the server.


---

1. Back up the server data.
2. Shut down the operating system as directed by the operating system documentation.
3. Press the Power On/Standby button to place the server in standby mode. When the server activates standby power mode, the system power LED changes to amber.
4. Disconnect the power cords.


The system is now without power.

## Open the panel door

---

 **WARNING:** To reduce the risk of personal injury from hot surfaces, allow the drives and the internal system components to cool before touching them.

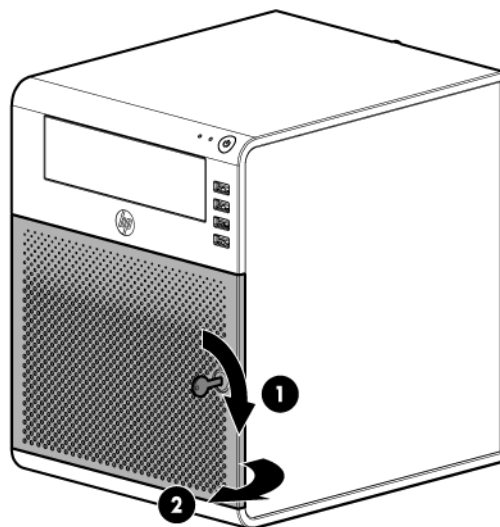
---

 **CAUTION:** Do not operate the server for long periods with the access panel open or removed. Operating the server in this manner results in improper airflow and improper cooling that can lead to thermal damage.

---

1. Power down the server (on page 6).
2. Using the HP ProLiant MicroServer key, unlock the panel door.
3. If necessary, remove any components or cables that might prevent access to the panel door.

4. Open the panel door of the server.



For server-specific information, see the installation sheet that ships with the server.

---

# Setup

## Optional installation services

Delivered by experienced, certified engineers, HP Care Pack services help you keep your servers up and running with support packages tailored specifically for HP ProLiant systems. HP Care Packs let you integrate both hardware and software support into a single package. A number of service level options are available to meet your needs.

HP Care Pack Services offer upgraded service levels to expand the standard product warranty with easy-to-buy, easy-to-use support packages that help you make the most of your server investments. Some of the Care Pack services are:

- Hardware support
  - 6-hour call-to-repair
  - 4-hour 13x5 same day
  - 4-hour 24x7 same day
  - 4-hour same business day
- Install services for hardware

For more information on Care Packs, see the HP website (<http://www.hp.com/services/carepack>).

## Optimum environment

When installing the server, select a location that meets the environmental standards described in this section.

### Temperature requirements

To ensure continued safe and reliable equipment operation, install or position the system in a well-ventilated, climate-controlled environment.

The maximum recommended ambient operating temperature (TMRA) for most server products is 35°C (95°F). The temperature in the room where the rack is located must not exceed 35°C (95°F).



**CAUTION:** To reduce the risk of damage to the equipment when installing third-party options:

- Do not permit optional equipment to impede airflow around the server or to increase the internal rack temperature beyond the maximum allowable limits.
- Do not exceed the manufacturer's TMRA.

### Power requirements

Installation of this equipment must comply with local and regional electrical regulations governing the installation of information technology equipment by licensed electricians. This equipment is designed to operate in installations covered by NFPA 70, 1999 Edition (National Electric Code) and NFPA-75, 1992



(code for Protection of Electronic Computer/Data Processing Equipment). For electrical power ratings on options, refer to the product rating label or the user documentation supplied with that option.



**WARNING:** To reduce the risk of personal injury, fire, or damage to the equipment, do not overload the AC supply branch circuit that provides power to the rack. Consult the electrical authority having jurisdiction over wiring and installation requirements of your facility.



**CAUTION:** Protect the server from power fluctuations and temporary interruptions with a regulating uninterruptible power supply. This device protects the hardware from damage caused by power surges and voltage spikes and keeps the system in operation during a power failure.

When installing more than one server, you may need to use additional power distribution devices to safely provide power to all devices. Observe the following guidelines:

- Balance the server power load between available AC supply branch circuits.
- Do not allow the overall system AC current load to exceed 80 percent of the branch circuit AC current rating.
- Do not use common power outlet strips for this equipment.
- Provide a separate electrical circuit for the server.

## Electrical grounding requirements

The server must be grounded properly for proper operation and safety. In the United States, you must install the equipment in accordance with NFPA 70, 1999 Edition (National Electric Code), Article 250, as well as any local and regional building codes. In Canada, you must install the equipment in accordance with Canadian Standards Association, CSA C22.1, Canadian Electrical Code. In all other countries, you must install the equipment in accordance with any regional or national electrical wiring codes, such as the International Electrotechnical Commission (IEC) Code 364, parts 1 through 7. Furthermore, you must be sure that all power distribution devices used in the installation, such as branch wiring and receptacles, are listed or certified grounding-type devices.

Because of the high ground-leakage currents associated with multiple servers connected to the same power source, HP recommends the use of a PDU that is either permanently wired to the building's branch circuit or includes a nondetachable cord that is wired to an industrial-style plug. NEMA locking-style plugs or those complying with IEC 60309 are considered suitable for this purpose. Using common power outlet strips for the server is not recommended.

## Installing hardware options

Install any hardware options before initializing the server. For options installation information, refer to the option documentation. For server-specific information, refer to "Hardware options installation (on page 11)."

## Powering up and configuring the server

To power up the server, press the Power On/Standby button.

For detailed information on configuring the server, see the server installation sheet.

# Installing the operating system

For the latest information on supported operating systems, see the HP website (<http://www.hp.com/go/supportos>).

To install an operating system on the server, insert the operating system DVD into the DVD-ROM drive (optional) and then reboot the server. The updates are available on the HP website (<http://www.hp.com/support>).

To begin the installation process, follow the on-screen instructions .

# Registering the server

To register the server, see the HP Registration website (<http://register.hp.com>).

---

# Hardware options installation

## Introduction

If more than one option is being installed, read the installation instructions for all the hardware options and identify similar steps to streamline the installation process.



**WARNING:** To reduce the risk of personal injury from hot surfaces, allow the drives and the internal system components to cool before touching them.

---



**CAUTION:** To prevent damage to electrical components, properly ground the server before beginning any installation procedure. Improper grounding can cause electrostatic discharge.

---

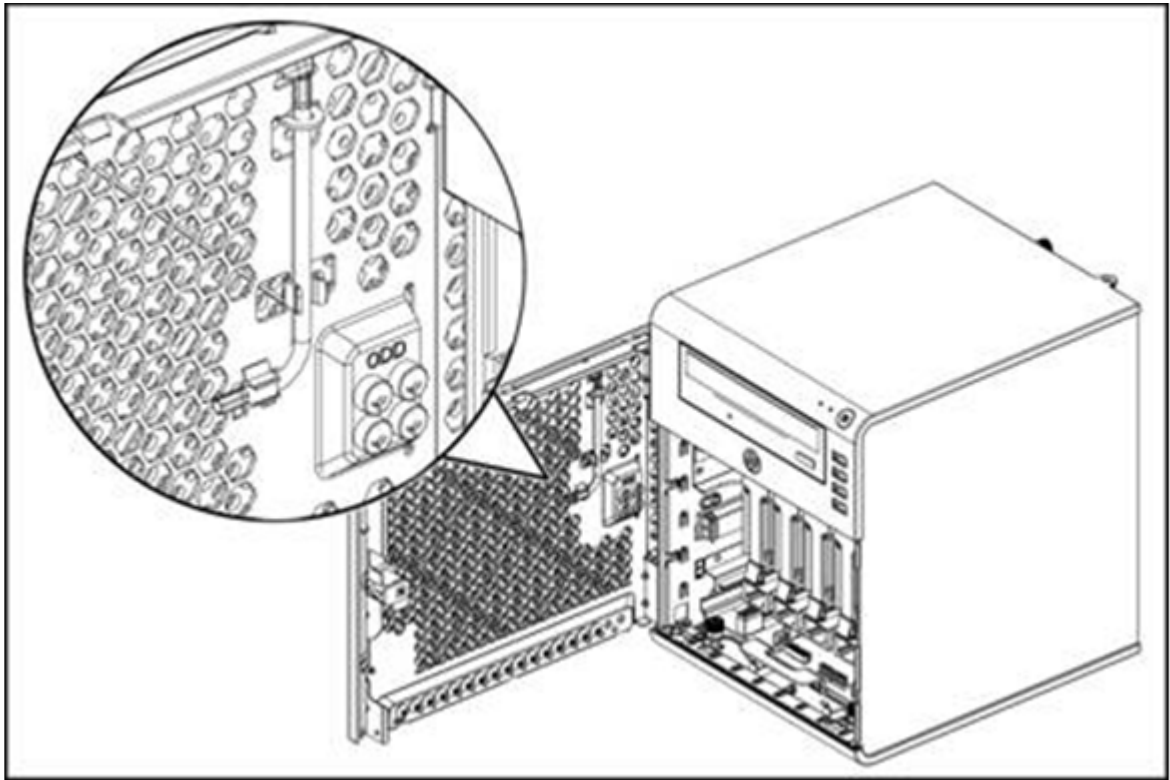
## Preventing electrostatic discharge

To prevent damaging the system, be aware of the precautions you need to follow when setting up the system or handling parts. A discharge of static electricity from a finger or other conductor may damage system boards or other static-sensitive devices. This type of damage may reduce the life expectancy of the device.

To prevent electrostatic damage:

- Avoid hand contact by transporting and storing products in static-safe containers.
- Keep electrostatic-sensitive parts in their containers until they arrive at static-free workstations.
- Place parts on a grounded surface before removing them from their containers.
- Avoid touching pins, leads, or circuitry.
- Always be properly grounded when touching a static-sensitive component or assembly.

# Removal and replacement tools



In performing any hardware configuration procedures, you might need the following items:

- System screwdriver (secured to the front panel door)  
All hardware screws used in the server can be removed or fastened by using the system screwdriver.
- Spare screws, located on the back side of the front panel door.

The following references and software tools might also be used:

- IPMI Event Log
- Diagnostics software

## Server warnings and cautions



---

**WARNING:** To reduce the risk of personal injury from hot surfaces, allow drives and internal system components to cool before touching them.

---



---

**CAUTION:** The server must always be operated with the system covers on. Proper cooling is not achieved when the system covers are removed.

---



---

**CAUTION:** When installing hardware or performing maintenance procedures requiring access to internal components, HP recommends that you first back up all server data to avoid loss.

---



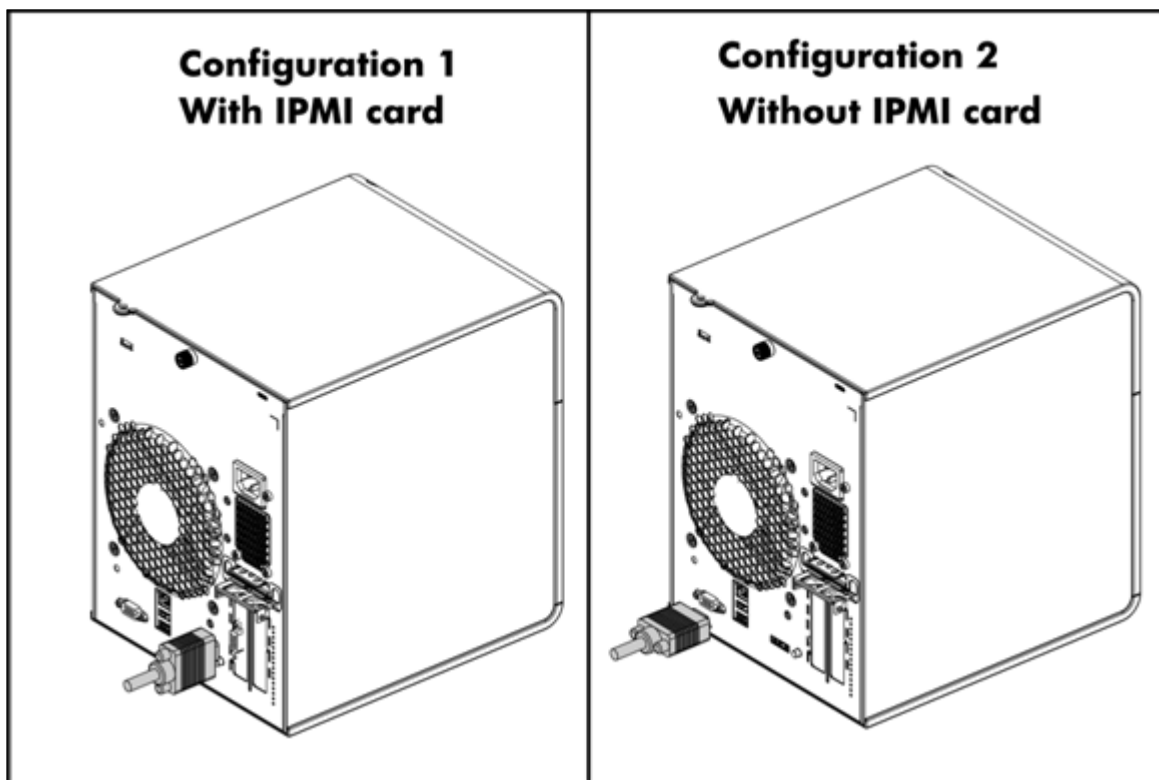
**IMPORTANT:** Before removing any serviceable parts, determine whether the part is hot plug or non-hot plug. If the device is non-hot plug, you must power down the server. Non-hot plug devices in the server include the processor, all boards, memory modules, fan, expansion boards, and all system drives.



**IMPORTANT:** Review the specifications of a new component before installing it to verify that it is compatible with the server. When you integrate new components into the system, record the model number, serial number, and any other pertinent information for future reference. After completing any removal or replacement procedure, run the diagnostics program to verify that all components operate properly.

## HP MicroServer Remote Access Card

The operating system has the BMC Setup function when the IPMI card is installed into the server. By BIOS default, the server exports the VGA port through the VGA connector on the IPMI card automatically when the IPMI card is plugged. You can use the RJ45 port (LAN port) on the IPMI card to connect the WebUI of BMC.



## Resetting the MicroServer Remote Access Card password to default

You can use the IPMI tool via KCS to reset the administrator password to "password."

Use the following Linux `ipmitool` command:

```
ipmitool raw 18 47 82 2 0x70 0x61 0x73 0x73 0x77 0x6f 0x72 0x64 0x00 0x00  
0x00 0x00 0x00 0x00 0x00 0x00 0x00 0x00 0x00 0x00
```

The password is encrypted and stored in flash memory. If you update the firmware, all data, passwords and configurations are reset to default.

The MicroServer Remote Access Card supports following character categories:

- Uppercase letters: A, B, C
- Lowercase letters: a, b, c
- Numbers: 0, 1, 2, 3, 4, 5, 6, 7, 8, 9
- Symbol (Special characters): ` ~ @ # \$ % & \* ( ) \_ - + = { } [ ] \ | ; : " ' < > , . ? /

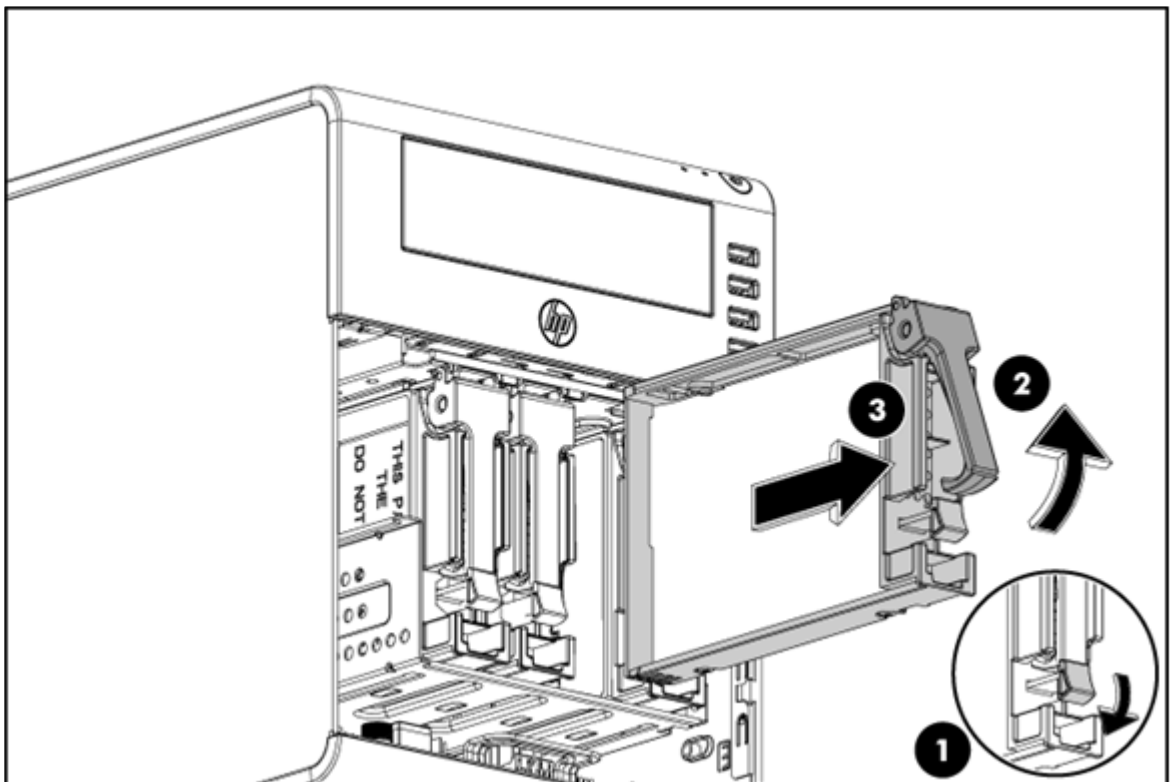
## SATA drive options

For more information about product features, specifications, options, configurations, and compatibility, see the product QuickSpecs on the HP Product Bulletin website (<http://www.hp.com/go/productbulletin>).

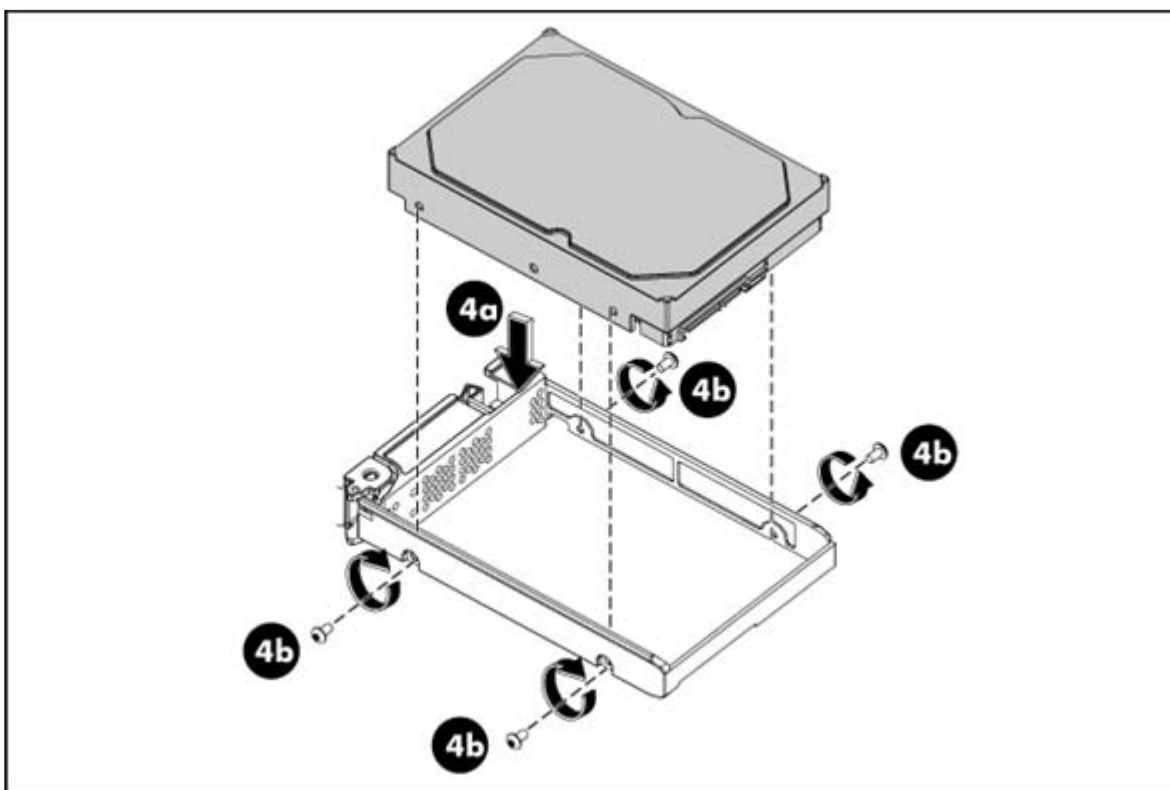
The HP ProLiant MicroServer supports up to four non-hot-plug hard drives.

To install the component:

1. Power down the server (on page 6).
2. Place the server on a flat, level work surface.
3. Open the panel door (on page 6).
4. Remove the drive:
  - a. Press the drive carrier button to release the ejector lever.
  - b. Use the ejector lever to pull the drive out of the cage.Make sure to support the drive when pulling it out of the cage.

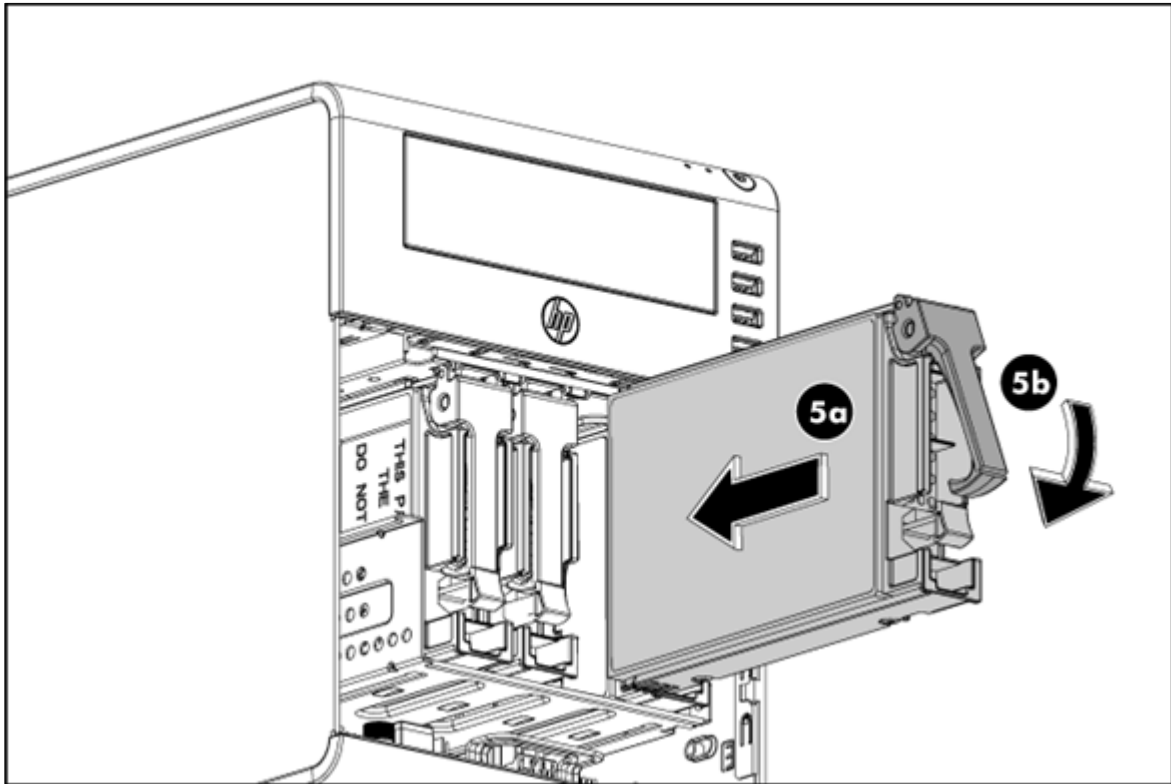


5. Remove four spare drive screws from the rear side of the panel door.
6. Install the drive in the drive carrier:
  - a. Align the drive inside the carrier.
  - b. Use the screws to secure the drive in the carrier.



7. Install the drive in the drive bay:
  - a. Slide the drive assembly into the drive bay.

- b. Close the ejector lever to secure the drive.



8. Close the panel door.
9. Use the HP ProLiant MicroServer key to lock the panel door.

## Optical disc drive

For more information about product features, specifications, options, configurations, and compatibility, see the product QuickSpecs on the HP Product Bulletin website (<http://www.hp.com/go/productbulletin>).

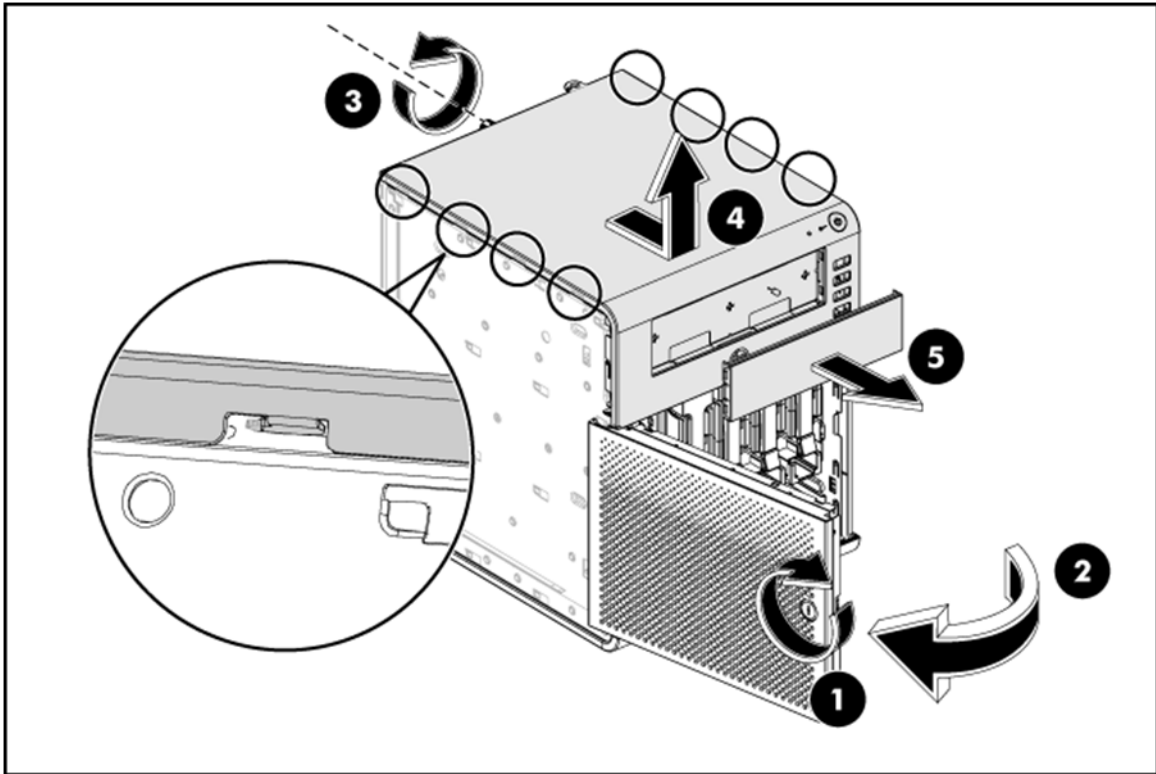
The removable media drive bay supports an optical drive, a tape drive or an RDX drive. The section describes how to install an optical drive. For information on how to install an RDX drive, see "RDX drive option (on page 20)."

To install the component:

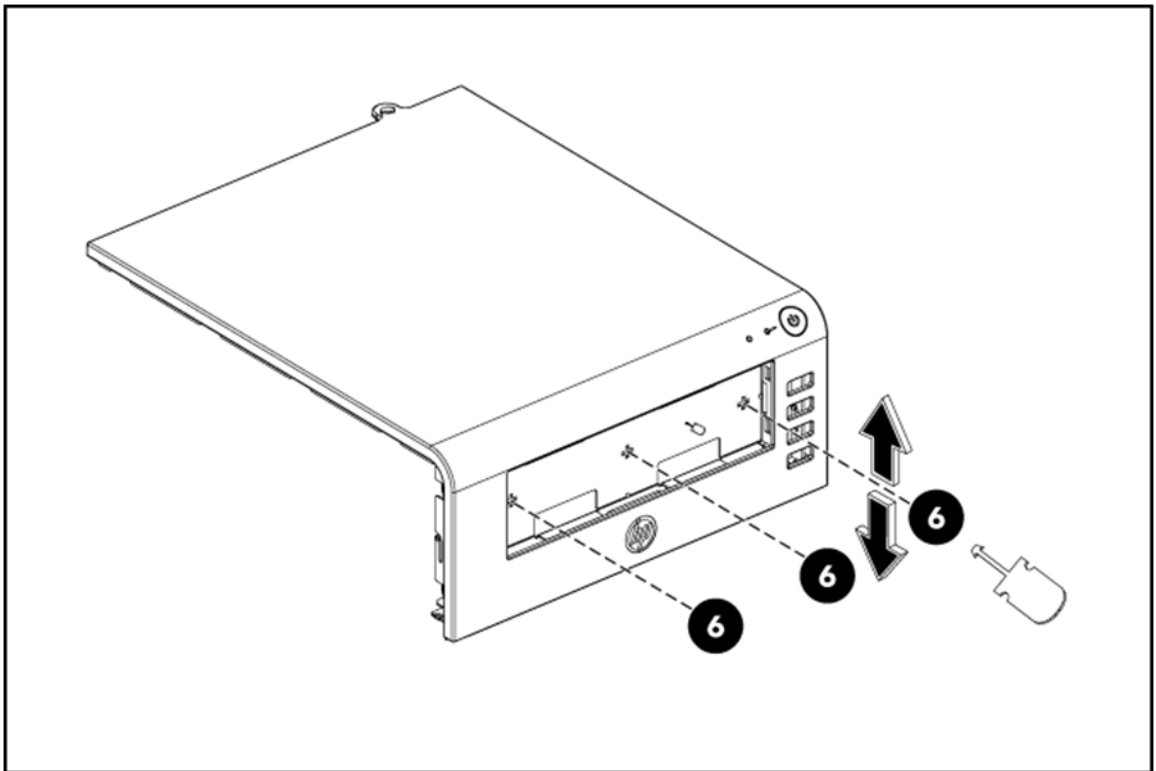
1. Power down the server (on page 6).
2. Place the server on a flat, level work surface.
3. Open the panel door (on page 6).
4. Loosen the rear thumbscrew that locks the top panel on the chassis.



5. Slide the top panel forward, and then lift it to release it from the chassis.

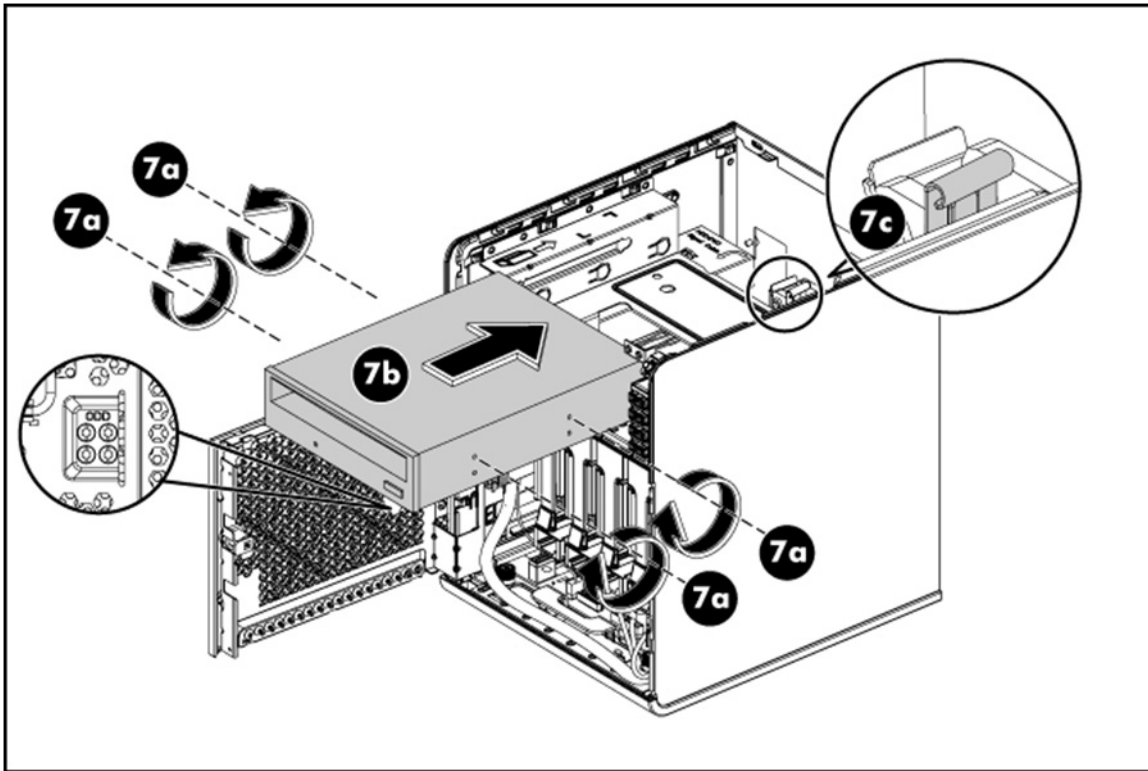


6. Use a screwdriver to toggle the metal faceplate off the top panel.  
The metal faceplate is no longer needed when the removable media drive bay is occupied.



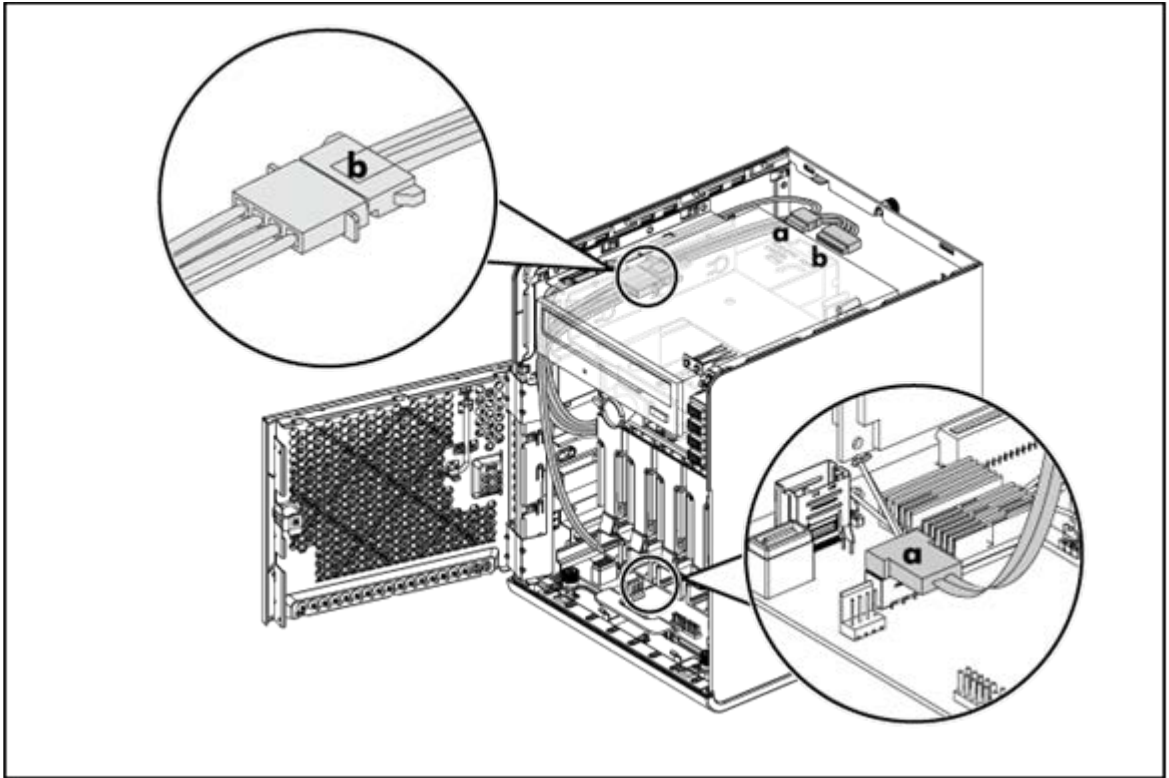
7. Install the optical drive:

- a. Remove four spare drive screws from the rear side of the panel door.
- b. Install the screws onto the drive.
- c. Slide the drive into the media drive bay until it clicks into place.



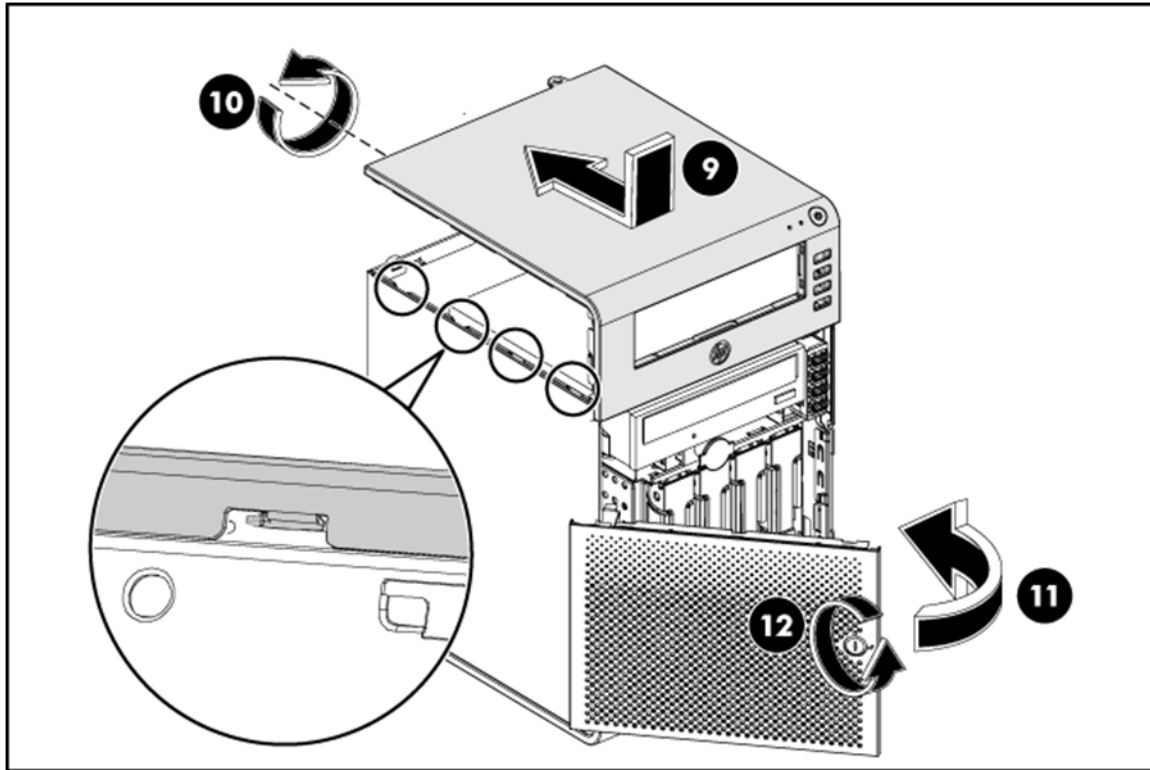
- 8. Connect the optical drive cables:
  - a. Connect the data cable to the optical drive, and then connect the end to the system board (J24).

- b. Connect the power cable to the optical drive, and then connect the other end to the power supply unit optical drive power connector (P6).



9. Slide the top panel back onto the chassis.
10. Tighten the rear thumbscrew to lock the top panel in place.
11. Close the panel door.

12. Use the HP ProLiant MicroServer key to lock the panel door.



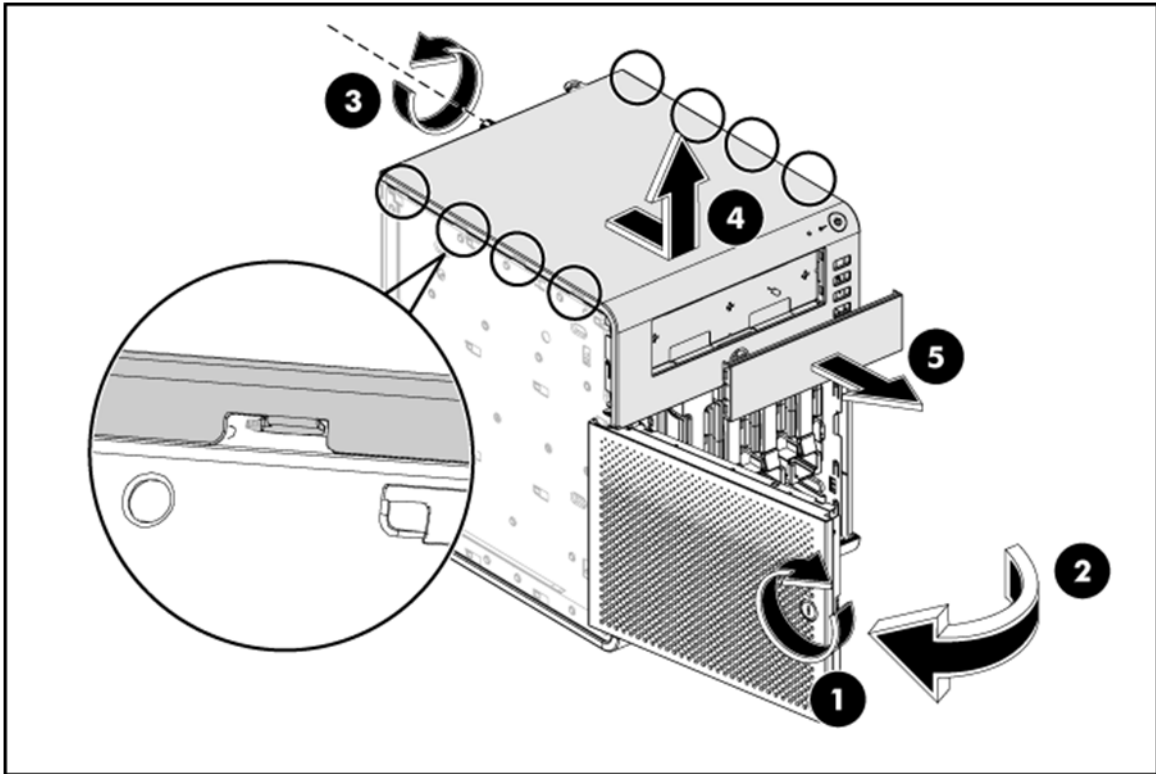
## RDX drive option

For more information about product features, specifications, options, configurations, and compatibility, see the product QuickSpecs on the HP Product Bulletin website (<http://www.hp.com/go/productbulletin>).

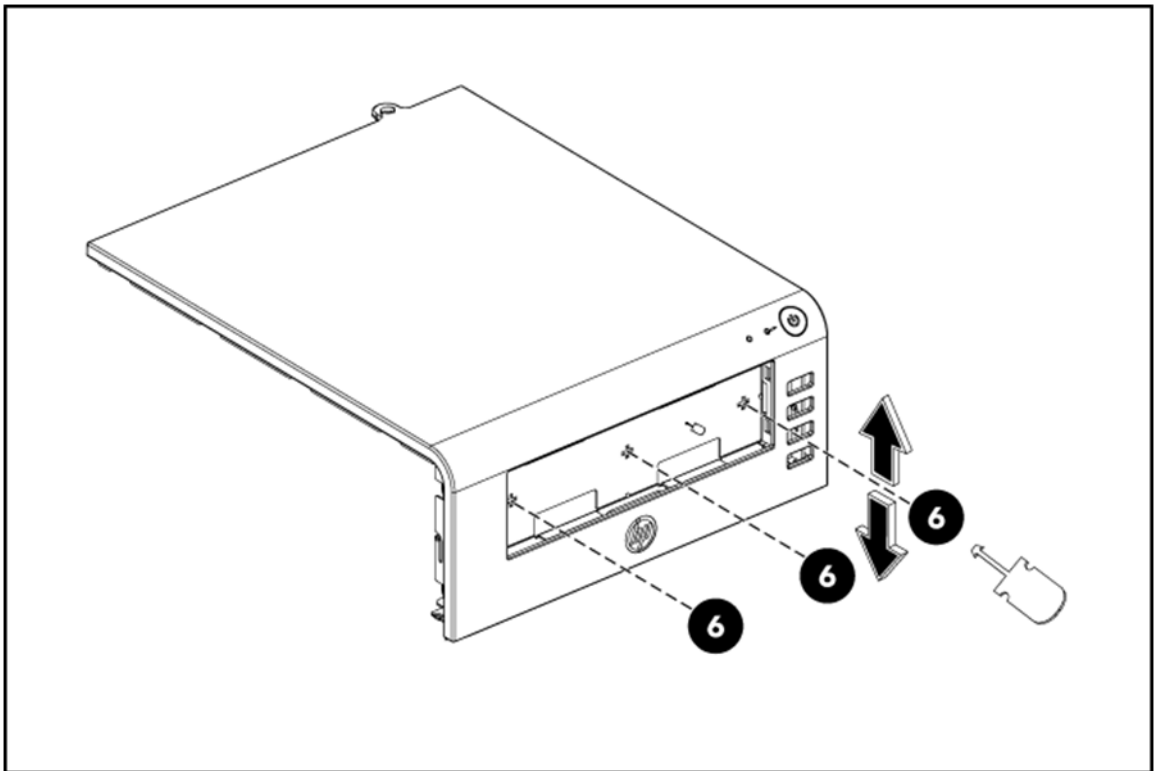
To install the component:

1. Power down the server (on page 6).
2. Place the server on a flat, level work surface.
3. Open the panel door (on page 6).
4. Loosen the rear thumbscrew that locks the top panel on the chassis.

- Slide the top panel forward, and then lift it to release it from the chassis.

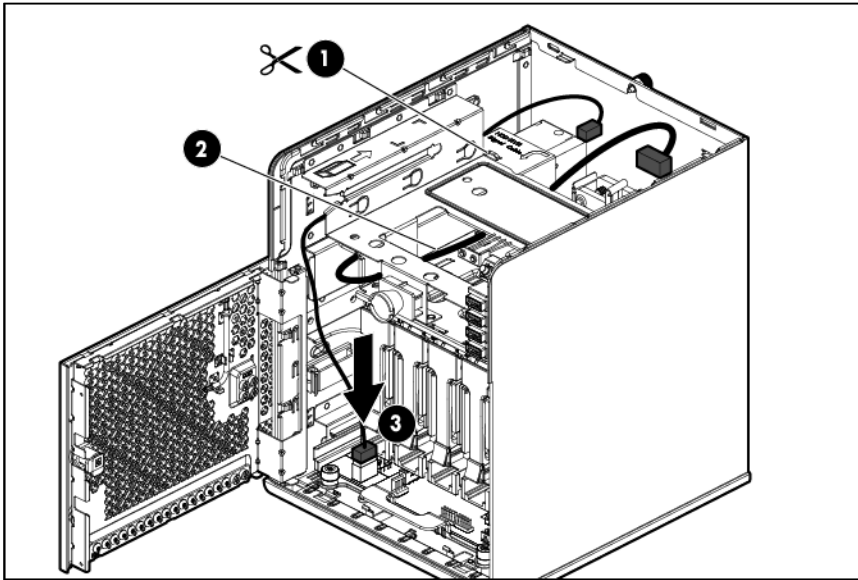


- Use a screwdriver to toggle the metal faceplate off the top panel.  
The metal faceplate is no longer needed when the removable media drive bay is occupied.

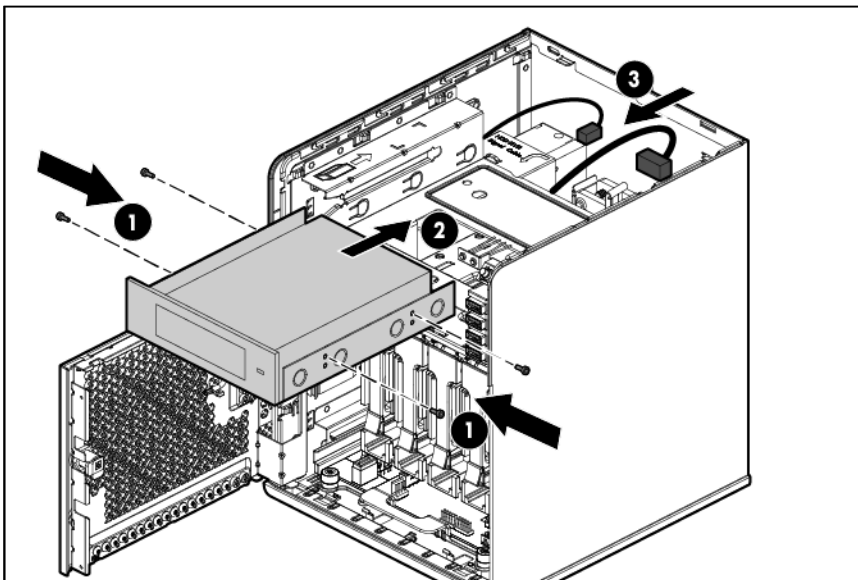


- Connect the RDX cables:

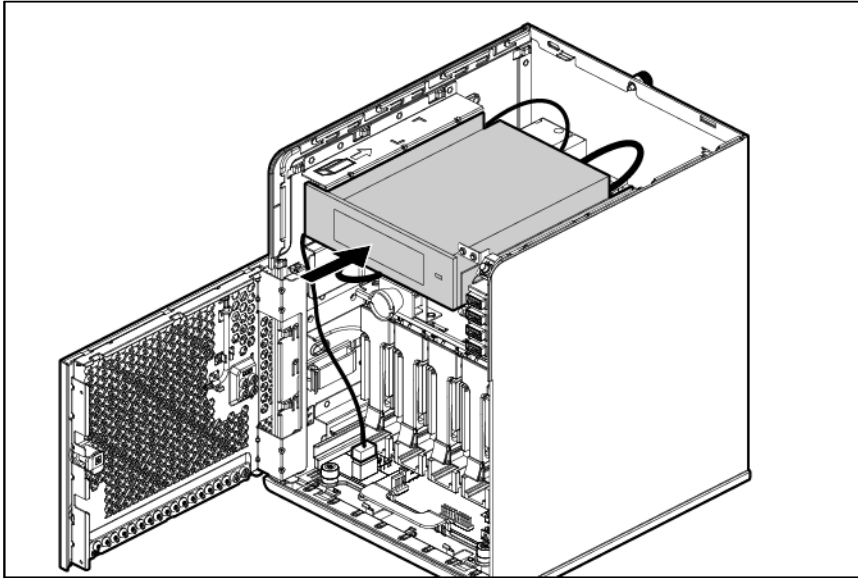
- a. Cut the cable tie securing the P6 power cable, and then route the cable along the underside of the media drive bay.
- b. Connect the data cable to the USB connector on the system board, and then route the cable up and through the cable tunnel on the left side of the media drive bay.



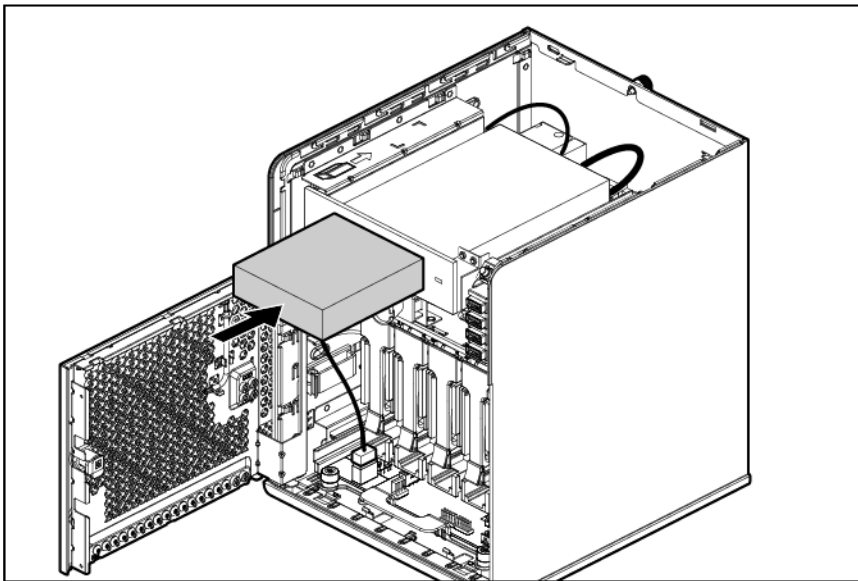
- 8. Install the RDX drive:
  - a. Remove four spare drive screws from the rear side of the panel door.
  - b. Install the screws onto the drive.
  - c. Connect the data and power cables to the drive.



- d. Slide the drive into the media drive bay until it clicks into place.

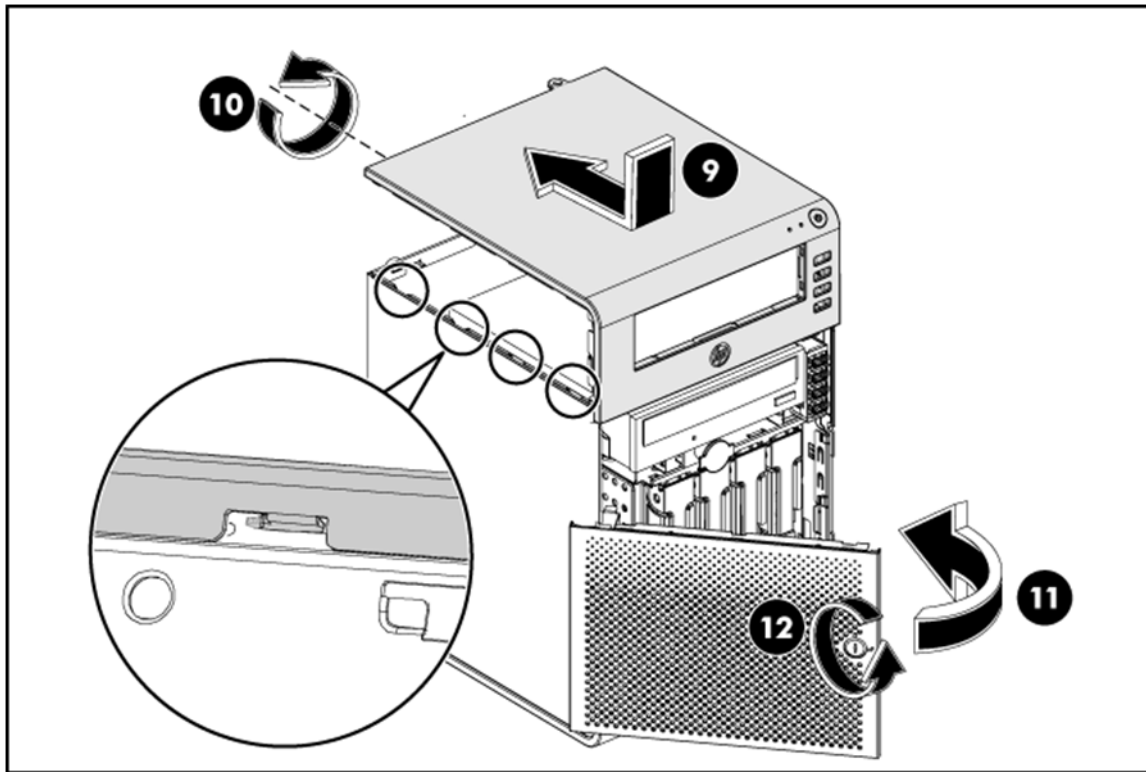


9. Install the RDX disk cartridge into the drive.



10. Slide the top panel back onto the chassis.
11. Tighten the rear thumbscrew to lock the top panel in place.
12. Close the panel door.

13. Use the HP ProLiant MicroServer key to lock the panel door.



## Memory options

The memory subsystem in this server can support DIMM and UDIMM. Both types are referred to as DIMMs when the information applies to both types. When specified as UDIMM, the information applies to that type only. All memory installed in the server must be the same type.

The server supports single- and dual-rank DIMMs operating at 800 MHz, with a maximum memory capacity of 8 GB.

## Memory subsystem architecture

The memory subsystem in this server is divided into channels. Each processor supports two channels, and each channel supports two DIMM slots, as shown in the following table.

Channel	Slot	Slot number
1	A	1
2	B	2

This multi-channel architecture provides enhanced performance in Advanced ECC mode. This architecture also enables the Mirrored Memory and Lockstep memory modes. This server supports UDIMMs.

DIMM slots in this server are identified by number and by letter. Letters identify the slots to populate for specific AMP modes. Slot numbers are reported by ROM messages during boot and are included in error reporting.



## Single-rank and dual-rank DIMMs

DIMM configuration requirements are based on these classifications:

- Single-rank DIMM—One set of memory chips that is accessed while writing to or reading from the memory.
- Dual-rank DIMM—Two single-rank DIMMs on the same module, with only one rank accessible at a time.

The server memory control subsystem selects the proper rank within the DIMM when writing to or reading from the DIMM.

Dual-rank DIMMs provide the greatest capacity with the existing memory technology. For example, if current DRAM technology supports 2-GB single-rank DIMMs, a dual-rank DIMM would be 4 GB.

## UDIMM maximum memory configurations

The server supports a maximum of 8 GB using 4-GB dual-rank UDIMMs.

## Installing DIMMs



---

**CAUTION:** To avoid damage to the hard drives, memory, and other system components, the air baffle, drive blanks, and access panel must be installed when the server is powered up.

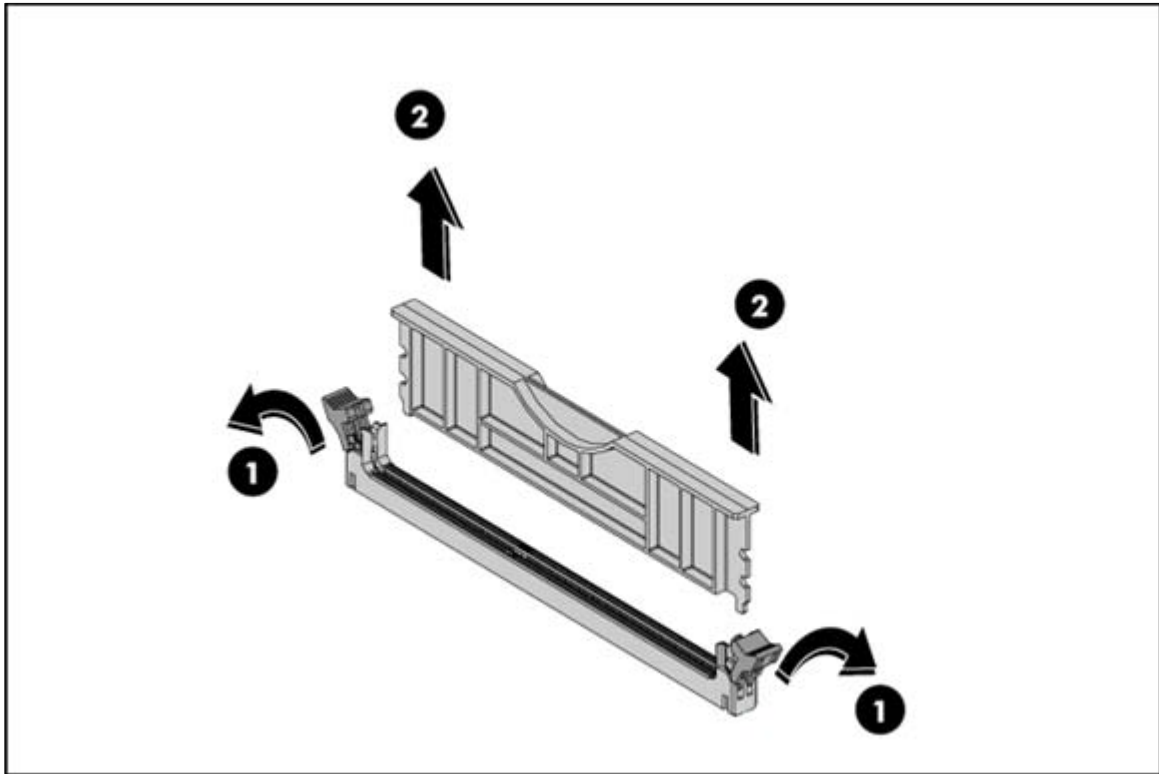
---

For more information about product features, specifications, options, configurations, and compatibility, see the product QuickSpecs on the HP Product Bulletin website (<http://www.hp.com/go/productbulletin>).

To remove the component:

1. Power down the server (on page 6).
2. Place the server on a flat, level work surface.
3. Open the panel door (on page 6).

4. Open the DIMM slot latches.



5. Remove the DIMM.
6. Close the panel door.
7. Use the HP ProLiant MicroServer key to lock the panel door.

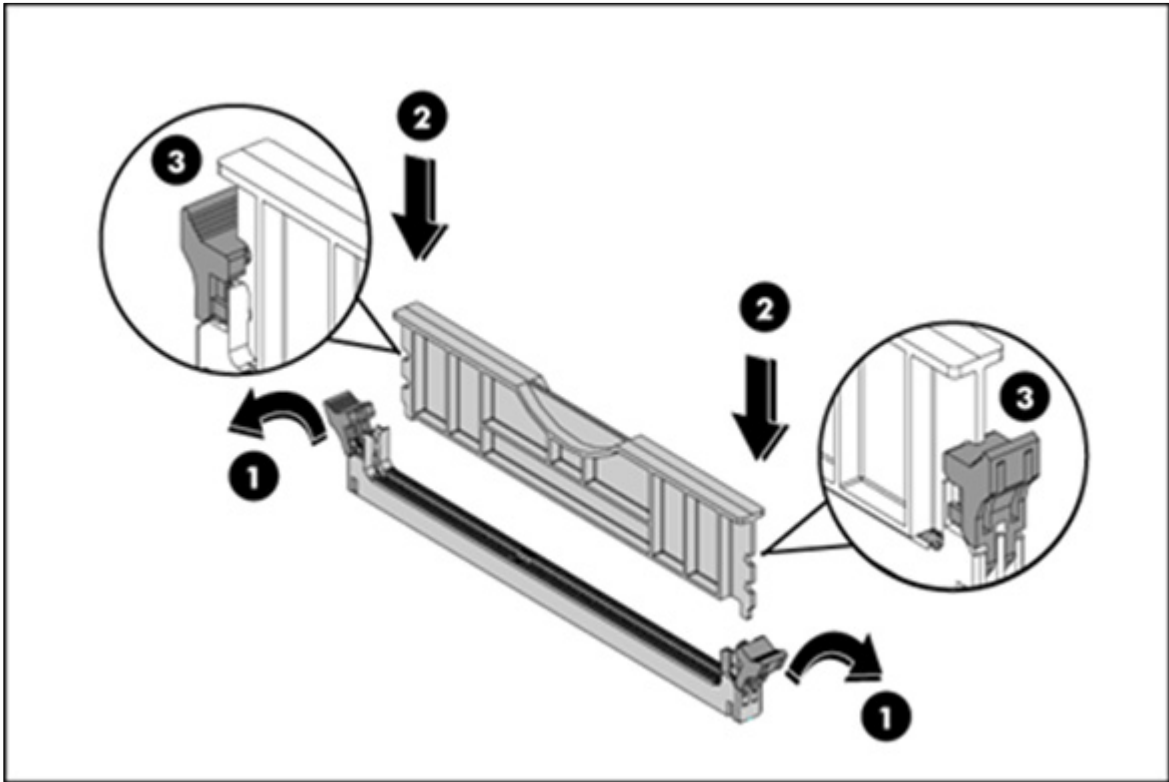
To install the component:

1. Power down the server (on page 6).
2. Place the server on a flat, level work surface.
3. Open the panel door (on page 6).
4. Locate an empty DIMM slot on the system board.
5. Open the DIMM slot latches.

**CAUTION:** The DIMM slots are structured to ensure proper installation. If you try to insert a DIMM but it does not fit easily into the slot, you may have positioned it incorrectly. Reverse the orientation of the DIMM and insert it again.

6. Install the memory module.
  - a. Completely open the holding clips securing the module.
  - b. Align the notch on the bottom edge of the memory module with the keyed surface of the DIMM slot, and then fully press the memory module into the slot until the latches snap back into place.

- c. Lock the holding clicks to secure the memory module in place.



7. Close the panel door.
8. Use the HP ProLiant MicroServer key to lock the panel door.

## HP Trusted Platform Module option

For more information about product features, specifications, options, configurations, and compatibility, see the product QuickSpecs on the HP Product Bulletin website (<http://www.hp.com/go/productbulletin>).

Use these instructions to install and enable a TPM on a supported server. This procedure includes three sections:

1. Installing the Trusted Platform Module board (on page 28).
2. Retaining the recovery key/password (on page 29).
3. Enabling the Trusted Platform Module (on page 30).

Enabling the TPM requires accessing RBSU ("ROM-Based Setup Utility" on page 31). For more information about RBSU, see the HP website (<http://www.hp.com/go/ilomgmtengine/docs>).

TPM installation requires the use of drive encryption technology, such as the Microsoft Windows BitLocker Drive Encryption feature. For more information on BitLocker, see the Microsoft website (<http://www.microsoft.com>).

---

**CAUTION:** Always observe the guidelines in this document. Failure to follow these guidelines can cause hardware damage or halt data access.


---

When installing or replacing a TPM, observe the following guidelines:


- Do not remove an installed TPM. Once installed, the TPM becomes a permanent part of the system board.
- When installing or replacing hardware, HP service providers cannot enable the TPM or the encryption technology. For security reasons, only the customer can enable these features.
- When returning a system board for service replacement, do not remove the TPM from the system board. When requested, HP Service provides a TPM with the spare system board.
- Any attempt to remove an installed TPM from the system board breaks or disfigures the TPM security rivet. Upon locating a broken or disfigured rivet on an installed TPM, administrators should consider the system compromised and take appropriate measures to ensure the integrity of the system data.
- When using BitLocker, always retain the recovery key/password. The recovery key/password is required to enter Recovery Mode after BitLocker detects a possible compromise of system integrity.
- HP is not liable for blocked data access caused by improper TPM use. For operating instructions, see the encryption technology feature documentation provided by the operating system.

## Installing the Trusted Platform Module board

---

 **WARNING:** To reduce the risk of personal injury, electric shock, or damage to the equipment, remove the power cord to remove power from the server. The front panel Power On/Standby button does not completely shut off system power. Portions of the power supply and some internal circuitry remain active until AC power is removed.


---

 **WARNING:** To reduce the risk of personal injury from hot surfaces, allow the drives and the internal system components to cool before touching them.

---

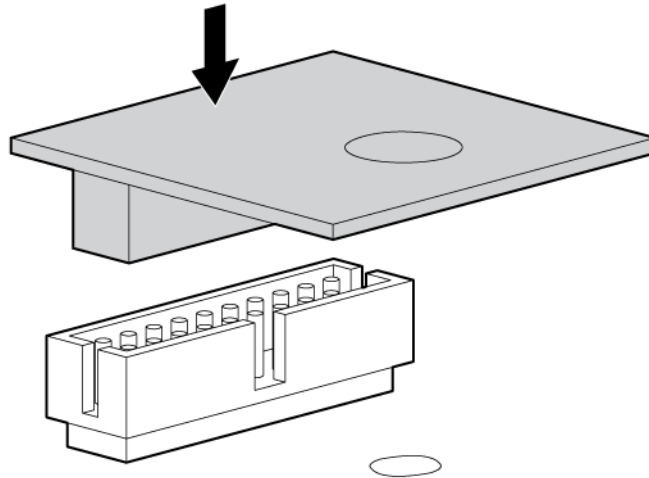
1. Power down the server (on page 6).
2. Place the server on a flat, level work surface.
3. Open the panel door (on page 6).
4. Locate the TPM connector, making sure you do not remove it from the system.

---

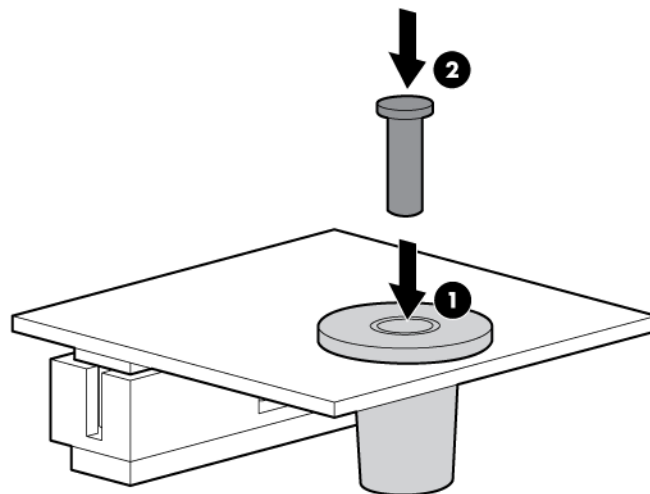
 **CAUTION:** Any attempt to remove an installed TPM from the system board breaks or disfigures the TPM security rivet. Upon locating a broken or disfigured rivet on an installed TPM, administrators should consider the system compromised and take appropriate measures to ensure the integrity of the system data.

---

5. Install the TPM board. Press down on the connector to seat the board.



6. Install the TPM security rivet by pressing the rivet firmly into the system board.



7. Close the panel door.
8. Power up the server (on page 6).

## Retaining the recovery key/password

The recovery key/password is generated during BitLocker™ setup, and can be saved and printed after BitLocker™ is enabled. When using BitLocker™, always retain the recovery key/password. The recovery key/password is required to enter Recovery Mode after BitLocker™ detects a possible compromise of system integrity.

To help ensure maximum security, observe the following guidelines when retaining the recovery key/password:


- Always store the recovery key/password in multiple locations.
- Always store copies of the recovery key/password away from the server.

- Do not save the recovery key/password on the encrypted hard drive.

## Enabling the Trusted Platform Module

Press the F10 key to access BIOS Setup. See the BIOS setup information for the specific procedure to enable the TPM on a ProLiant 100 Series server or a ProLiant MicroServer.

---

 **CAUTION:** When a TPM is installed and enabled on the server, data access is locked if you fail to follow the proper procedures for updating the system or option firmware, replacing the system board, replacing a hard drive, or modifying OS application TPM settings.

---

For more information on firmware updates and hardware procedures, see the *HP Trusted Platform Module Best Practices White Paper* on the HP website (<http://www.hp.com/support>).

For more information on adjusting TPM usage in BitLocker™, see the Microsoft website (<http://technet.microsoft.com/en-us/library/cc732774.aspx>).

---

# Software and configuration utilities

## ROM-Based Setup Utility

RBSU, an embedded configuration utility, performs a wide range of configuration activities that may include:

- Configuring system devices and installed options
- Displaying system information
- Selecting the primary boot controller
- Configuring memory options

For more information on RBSU, see the *HP ROM-Based Setup Utility User Guide* or the HP website (<http://www.hp.com/support/smartstart/documentation>).

## Auto-configuration process

The auto-configuration process runs when you boot the server for the first time. During the power-up sequence, the system ROM configures the entire system without needing any intervention. During this process, the ORCA utility, in most cases, configures the array to a default setting based on the number of drives connected to the server.

---

**NOTE:** The server may not support all the following examples.

---

**NOTE:** If the boot drive is not empty or has been written to in the past, ORCA does not automatically configure the array. You must run ORCA to configure the array settings.

---

Drive configuration	RAID function (smart array controller)	RAID function (software)
2	0 or 1	0 or 1

To change any ORCA default settings and override the auto-configuration process, when prompted press the **Ctrl+F** key.

To change any default settings in the auto-configuration process (such as the operating system and primary boot controller), execute RBSU, when prompted, by pressing the **F10** key. After the settings are selected, exit RBSU and allow the server to reboot automatically.

## Boot options

Near the end of the boot process, the boot options screen is displayed. This screen is visible for several seconds before the system attempts to boot from a supported boot device. During this time, you can do the following:

- Access RBSU by pressing the **F10** key.

- Force a PXE Network boot by pressing the **F12** key.

## ProLiant MicroServer Insight Diagnostics

The ProLiant MicroServer Insight Diagnostics utility displays information about the server hardware and tests the system to verify proper operation. The utility can be accessed through the HP website (<http://www.hp.com>).

## Management tools

### MicroServer Remote Access Card

The HP MicroServer remote access card is a standard component of selected HP MicroServer that provides server health and remote server manageability. HP MicroServer remote access card includes a dedicated network interface. This design makes HP MicroServer remote access card independent of the host server and its operating system. The HP MicroServer remote access card provides remote access to any authorized network client, sends alerts, and provides other server management functions.

Using HP MicroServer remote access card, you can do the following:

- Remotely power up, power down, or reboot the host server
- Send alerts from HP MicroServer remote access card, regardless of the state of the host server

## USB support

HP provides both standard USB 2.0 support and legacy USB 2.0 support. Standard support is provided by the OS through the appropriate USB device drivers. Before the OS loads, HP provides support for USB devices through legacy USB support, which is enabled by default in the system ROM.

Legacy USB support provides USB functionality in environments where USB support is not available normally. Specifically, HP provides legacy USB functionality for the following:

- POST
- RBSU
- Diagnostics
- DOS
- Operating environments which do not provide native USB support

## Keeping the system current

### Current drivers and utilities

For the latest drivers and utilities information on supported operating systems, see the HP website (<http://www.hp.com/support>).



**IMPORTANT:** Always perform a backup before installing or updating device drivers.

---



# Operating System Version Support

For information about specific versions of a supported operating system, refer to the operating system support matrix (<http://www.hp.com/go/supportos>).

## Subscriber's choice

HP's Subscriber's Choice is a customizable subscription sign-up service that customers use to receive personalized email product tips, feature articles, driver and support alerts, or other notifications.

To create a profile and select notifications, refer to the HP website (<http://www.hp.com/go/subscriberschoice>).

## Embedded SATA RAID feature

The AMD SB820M chipset in the system board enables SATA RAID functionality (RAID 0 and RAID 1). For more information on this embedded SATA RAID controller, see the AMD website (<http://www.amd.com>).


## Configuring the SATA RAID feature

To configure the SATA RAID feature, do the following:

1. Enable SATA RAID functionality in RBSU ("[Enabling the SATA RAID feature in RBSU](#)" on page 33).
2. Create a RAID volume.

## Enabling the SATA RAID feature in RBSU

---

 **CAUTION:** Back up any data stored on the hard drives before proceeding. The configuration process erases all data on the hard drives.

---

1. Power up the server. If the server is already powered, save all data, exit all open applications, and restart.

---

**NOTE:** Enabling the RAID option in RBSU is only necessary for installation of the RAID driver. If this option is not enabled, the OS loads the standard ATA driver from the OS media.

---


2. During POST, press the **F10** key to launch RBSU. If you fail to press **F10** before POST, you will need to restart the server.
3. In the Advanced menu screen, select **IDE Configuration**.
4. Set the **SATA Controller Mode** field to **RAID**.
5. Press **F10**, then select **Yes** to save the changes and close RBSU. The server automatically reboots.
6. Create a RAID volume.

## Creating a RAID volume

1. Enable SATA RAID functionality in RBSU ("[Enabling the SATA RAID feature in RBSU](#)" on page 33).
2. After the system reboots, to activate the RAID option ROM Utility, press **Ctrl+F**.
3. Verify that two SATA drives are installed.

4. In the Main menu screen, select **LD View/LD Define Menu**, and then press **Ctrl+C**. The system prompts you to select levels for RAID 0 and RAID 1.
5. Select a RAID level, and give the assignment to the hard disks.
6. To provide the LD Name, press **Ctrl+Y** and save the setting.

---

 **CAUTION:** Back up any data stored on the hard drives before proceeding. The configuration process erases all data on the hard drives.

---

7. After the configuration is complete, to exit the utility, press **Esc**.

## Installing the embedded SATA RAID driver

AMD provides the SATA RAID feature through use of the Storage Manager. This feature enables RAID functionality (RAID 0 or RAID 1) for the embedded SATA controller in the system.

### Required hardware

Installing the Embedded SATA RAID driver requires a diskette drive or a CD-ROM drive.

In a Microsoft® Windows® OS environment, driver installation is supported only with a USB diskette drive, HP MicroServer remote access card Virtual Floppy, or Virtual Floppy with the embedded SATA RAID Windows® driver.

Some servers do not ship with these drives as standard hardware.

### Diskette and CD-ROM drive options

To acquire a diskette drive option or CD-ROM drive option for a server, contact an HP authorized reseller.

For the name of the nearest HP authorized reseller:

- In the United States, call 1-800-345-1518.
- In Canada, call 1-800-263-5868.
- In other locations, refer to the HP website (<http://www.hp.com>).

### HP Integrated Virtual Floppy and CD-ROM drives

HP MicroServer remote access card provides diskette drive and CD-ROM drive functionality through the HP MicroServer remote access card Virtual Floppy and CD-ROM features.

### USB diskette and CD-ROM drives

For driver installation purposes, a USB diskette drive and USB CD-ROM drive are sufficient, unless otherwise indicated in driver-specific documentation.

---

**NOTE:** Do not use a USB drive key in place of the diskette drive. The OS does not support driver installation from a USB drive key.

---

**NOTE:** HP recommends the use of HP standard USB disk drives.

---

HP provides both standard USB 2.0 support and legacy USB 2.0 support. Standard support is provided by the OS through the appropriate USB device drivers. Before the OS loads, HP provides support for USB devices through legacy USB support, which is enabled by default in the system ROM.

Legacy USB support provides USB functionality in environments where USB support is not available normally. Specifically, HP provides legacy USB functionality for the following:

- POST
- RBSU
- Diagnostics
- DOS
- Operating environments which do not provide native USB support

## Installing the Embedded SATA RAID driver with a USB diskette drive

1. Boot the server, and then press **F10** to enter the RBSU.
2. In the Advanced menu screen, select **IDE configuration**, and then set the SATA Controller Mode field to RAID.
3. Press **F10** to save, and then exit RBSU. The server will reboot.
4. When prompted to enter the RAID Option ROM Utility, press **Ctrl+F**.
5. Create an array, and then exit the RAID Option ROM Utility. The POST process continues.
6. Install the operating system ("[Installing the operating system](#)" on page 10).

For information about installing an operating system, see the documentation that shipped with the server.

## Installing the Embedded SATA RAID driver by using Virtual Floppy

1. Ensure that a network cable is connected to the HP MicroServer remote access card NIC port on the rear of the server.
2. Boot the server, and then press **F10** to enter the RBSU.
3. In the Advanced menu screen, select **IDE Configuration** and then set the SATA Controller Mode field to **RAID**.
4. Exit RBSU. The server will reboot.
5. Create the diskette.
6. Insert the driver diskette into the remote PC diskette drive.
7. Use HP MicroServer remote access card Virtual Floppy to access the PC diskette drive.
8. Power up the server (on page 6).
9. Install the operating system ("[Installing the operating system](#)" on page 10).

## Installing an operating system

To install an OS, download the SATA RAID driver and create a driver diskette with the software and instructions from the HP website (<http://www.hp.com/support>).

## Installing a supported Microsoft® Windows® OS

1. Insert the OS CD and reboot the system.
2. When prompted, press the **F6** key to install a third-party driver.

---

**NOTE:** Press **F6** within 5 seconds to enable the system to recognize the controller. If the system fails to recognize the controller, restart this procedure.

---

3. Insert the SATA RAID driver diskette created earlier. The system prompts the next action.
4. Press the **S** key to specify the driver from the diskette. Then, press the **Enter** key. The OS searches the diskette for a suitable driver.
5. After locating the AMD Embedded SATA RAID driver, press **Enter**.
6. Follow the remaining on-screen instructions to complete the installation.

## Installing a supported Linux OS

To install a supported Linux OS, see the OS documentation.



---

**IMPORTANT:** This server supports an AMD embedded SATA RAID controller. However, in the server, this controller is not supported under the Linux operating system. For more information on the embedded SATA RAID controller, see the AMD website (<http://www.amd.com>).

---

# Troubleshooting

## Pre-diagnostic steps



**WARNING:** To avoid potential problems, ALWAYS read the warnings and cautionary information in the server documentation before removing, replacing, reseating, or modifying system components.



**IMPORTANT:** This guide provides information for multiple servers. Some information may not apply to the server you are troubleshooting. Refer to the server documentation for information on procedures, hardware options, software tools, and operating systems supported by the server.

1. Review the important safety information (on page 37).
2. Gather symptom information (on page 39).
3. Prepare the server for diagnosis.
4. Use the Start diagnosis flowchart (on page 43) to begin the diagnostic process.

## Important safety information

Familiarize yourself with the safety information in the following sections before troubleshooting the server.



### Important safety information

Before servicing this product, read the *Important Safety Information* document provided with the server.

## Symbols on equipment

The following symbols may be placed on equipment to indicate the presence of potentially hazardous conditions.



This symbol indicates the presence of hazardous energy circuits or electric shock hazards. Refer all servicing to qualified personnel.

**WARNING:** To reduce the risk of injury from electric shock hazards, do not open this enclosure. Refer all maintenance, upgrades, and servicing to qualified personnel.



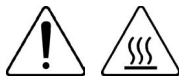
This symbol indicates the presence of electric shock hazards. The area contains no user or field serviceable parts. Do not open for any reason.

**WARNING:** To reduce the risk of injury from electric shock hazards, do not open this enclosure.



This symbol on an RJ-45 receptacle indicates a network interface connection.

**WARNING:** To reduce the risk of electric shock, fire, or damage to the equipment, do not plug telephone or telecommunications connectors into this receptacle.



This symbol indicates the presence of a hot surface or hot component. If this surface is contacted, the potential for injury exists.

**WARNING:** To reduce the risk of injury from a hot component, allow the surface to cool before touching.



20.41-27.22 kg  
47.18-60 lb

This symbol indicates that the component exceeds the recommended weight for one individual to handle safely.

**WARNING:** To reduce the risk of personal injury or damage to the equipment, observe local occupational health and safety requirements and guidelines for manual material handling.



These symbols, on power supplies or systems, indicate that the equipment is supplied by multiple sources of power.

**WARNING:** To reduce the risk of injury from electric shock, remove all power cords to completely disconnect power from the system.

## Warnings and cautions



**WARNING:** Only authorized technicians trained by HP should attempt to repair this equipment. All troubleshooting and repair procedures are detailed to allow only subassembly/module-level repair. Because of the complexity of the individual boards and subassemblies, no one should attempt to make repairs at the component level or to make modifications to any printed wiring board. Improper repairs can create a safety hazard.



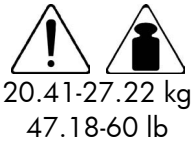
**WARNING:** To reduce the risk of personal injury or damage to the equipment, be sure that:

- The leveling feet are extended to the floor.
- The full weight of the rack rests on the leveling feet.
- The stabilizing feet are attached to the rack if it is a single-rack installation.
- The racks are coupled together in multiple-rack installations.
- Only one component is extended at a time. A rack may become unstable if more than one component is extended for any reason.



**WARNING:** To reduce the risk of electric shock or damage to the equipment:

- Do not disable the power cord grounding plug. The grounding plug is an important safety feature.
- Plug the power cord into a grounded (earthed) electrical outlet that is easily accessible at all times.
- Unplug the power cord from the power supply to disconnect power to the equipment.
- Do not route the power cord where it can be walked on or pinched by items placed against it. Pay particular attention to the plug, electrical outlet, and the point where the cord extends from the server.



---

**WARNING:** To reduce the risk of personal injury or damage to the equipment:

- Observe local occupation health and safety requirements and guidelines for manual handling.
  - Obtain adequate assistance to lift and stabilize the chassis during installation or removal.
  - The server is unstable when not fastened to the rails.
  - When mounting the server in a rack, remove the power supplies and any other removable module to reduce the overall weight of the product.
- 



**CAUTION:** To properly ventilate the system, you must provide at least 7.6 cm (3.0 in) of clearance at the front and back of the server.

---



**CAUTION:** The server is designed to be electrically grounded (earthed). To ensure proper operation, plug the AC power cord into a properly grounded AC outlet only.

---

## Symptom information

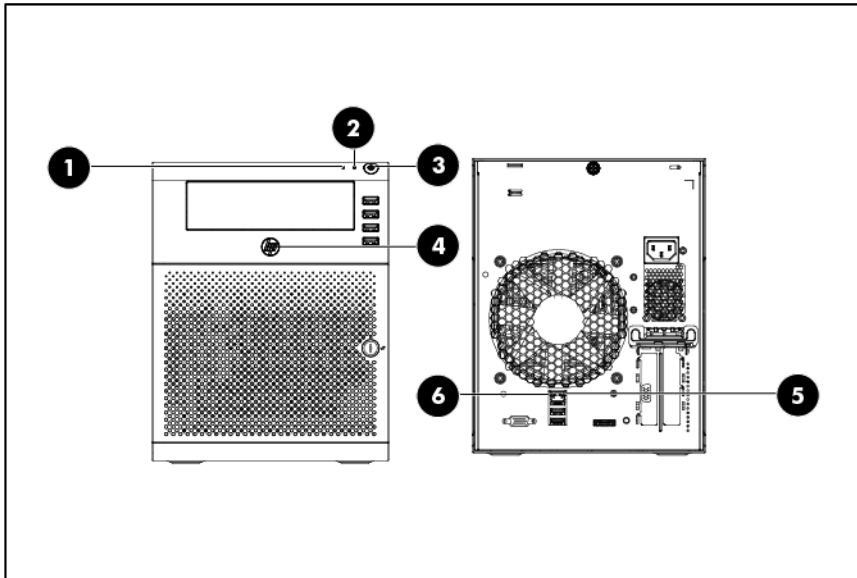
Before troubleshooting a server problem, collect the following information:

- What events preceded the failure? After which steps does the problem occur?
- What has been changed since the time the server was working?
- Did you recently add or remove hardware or software? If so, did you remember to change the appropriate settings in the server setup utility, if necessary?
- How long has the server exhibited problem symptoms?
- If the problem occurs randomly, what is the duration or frequency?

To answer these questions, the following information may be useful:

- Run ProLiant MicroServer Insight Diagnostics (on page 32) and use the survey page to view the current configuration or to compare it to previous configurations.
- For information, see your hardware and software records.

- See the server LEDs and their status.



Item	Indicators	Status	Description
1	NIC LED	Blinking green	Ongoing activity
2	HDD LED	Blinking green	Ongoing activity
3	Power button	Amber/Green	Standby mode/Power on mode
4	Health LED	Amber/Blue/Red	Non-critical issue/Ongoing activity/Critical issue
5	Network port	Blinking green	Ongoing network activity
6	Network port	Green	10/100/1000M connection

#### Health LED Behavior:

- Critical issues
  - CPU initial failed
  - Memory initial failed
  - Fan failure or missing
  - Memory uncorrectable ECC
- Non-critical issues
  - Voltage fault
  - Temperature fault

## Preparing the server for diagnosis

1. Be sure the server is in the proper operating environment with adequate power, air conditioning, and humidity control. Refer to the server documentation for required environmental conditions.
2. Record any error messages displayed by the system.
3. Remove all diskettes and CDs from the media drives.
4. Power down the server and peripheral devices if you will be diagnosing the server offline. Always perform an orderly shutdown, if possible. This means you must:



- a. Exit any applications.
  - b. Exit the operating system.
  - c. Power down the server (on page 6).
5. Disconnect any peripheral devices not required for testing (any devices not necessary to power up the server). Do not disconnect the printer if you want to use it to print error messages.

For more information, see the DIMM handling guidelines and the hard drive guidelines.

## Common problem resolution

Loose connections (on page 41)

Service notifications (on page 41)

Firmware updates (on page 41)

DIMM handling guidelines (on page 42)

Hard drive guidelines ("SATA hard drive guidelines" on page 42)

SATA hard drive LED (on page 42)

### Loose connections

#### Action:

- Be sure all power cords are securely connected.
- Be sure all cables are properly aligned and securely connected for all external and internal components.
- Remove and check all data and power cables for damage. Be sure no cables have bent pins or damaged connectors.
- If a fixed cable tray is available for the server, be sure the cords and cables connected to the server are routed correctly through the tray.
- Be sure each device is properly seated. Avoid bending or flexing circuit boards when reseating components.
- If a device has latches, be sure they are completely closed and locked.
- Check any interlock or interconnect LEDs that may indicate a component is not connected properly.
- If problems continue to occur, remove and reinstall each device, checking the connectors and sockets for bent pins or other damage.
- For HP ProLiant BL c-Class Server Blades, be sure the OA tray is seated properly.

### Service notifications

To view the latest service notifications, refer to the HP website (<http://www.hp.com/go/bizsupport>). Select the appropriate server model, and then click the **Troubleshoot a Problem** link on the product page.

### Firmware updates

Download firmware updates from the following locations:


- The most recent version of a particular server or option firmware from the HP Support website (<http://www.hp.com/support>)
- Components for option firmware updates available from the HP Support website (<http://www.hp.com/support>)

HP offers a subscription service that can provide notification of firmware updates. For more information, see "Subscriber's Choice (on page 33)."

For detailed information on updating firmware, see "Firmware maintenance (on page 68)."

## DIMM handling guidelines

---

 **CAUTION:** Failure to properly handle DIMMs can cause damage to DIMM components and the system board connector.

---

When handling a DIMM, observe the following guidelines:

- Avoid electrostatic discharge (on page 80).
- Always hold DIMMs by the side edges only.
- Avoid touching the connectors on the bottom of the DIMM.
- Never wrap your fingers around a DIMM.
- Avoid touching the components on the sides of the DIMM.
- Never bend or flex the DIMM.

When installing a DIMM, observe the following guidelines:

- Before seating the DIMM, align the DIMM with the slot.
- To align and seat the DIMM, use two fingers to hold the DIMM along the side edges.
- To seat the DIMM, use two fingers to apply gentle pressure along the top of the DIMM.

For more information, see the HP website

([http://h20000.www2.hp.com/bizsupport/TechSupport/Document.jsp?lang=en&cc=us&objectID=c00868283&jumpid=reg\\_R1002\\_USEN](http://h20000.www2.hp.com/bizsupport/TechSupport/Document.jsp?lang=en&cc=us&objectID=c00868283&jumpid=reg_R1002_USEN)).

## SATA hard drive guidelines

When adding hard drives to the server, follow these general guidelines:

- The system automatically sets all drive numbers.
- If only one hard drive is used, install it in the bay with the lowest drive number.
- Drives must be the same capacity to provide the greatest storage space efficiency when drives are grouped together in the same drive array.

## SATA hard drive LED

---

**NOTE:** Predictive failure alerts can occur only when the server is connected to a Smart Array controller.

---

Online/activity LED (green)	Interpretation
On	Activity
Off	No Activity

## Troubleshooting flowcharts

To effectively troubleshoot a problem, HP recommends that you start with the first flowchart in this section, "Start diagnosis flowchart (on page 43)," and follow the appropriate diagnostic path. If the other flowcharts do not provide a troubleshooting solution, follow the diagnostic steps in "General diagnosis flowchart (on page 44)." The General diagnosis flowchart is a generic troubleshooting process to be used when the problem is not server-specific or is not easily categorized into the other flowcharts.

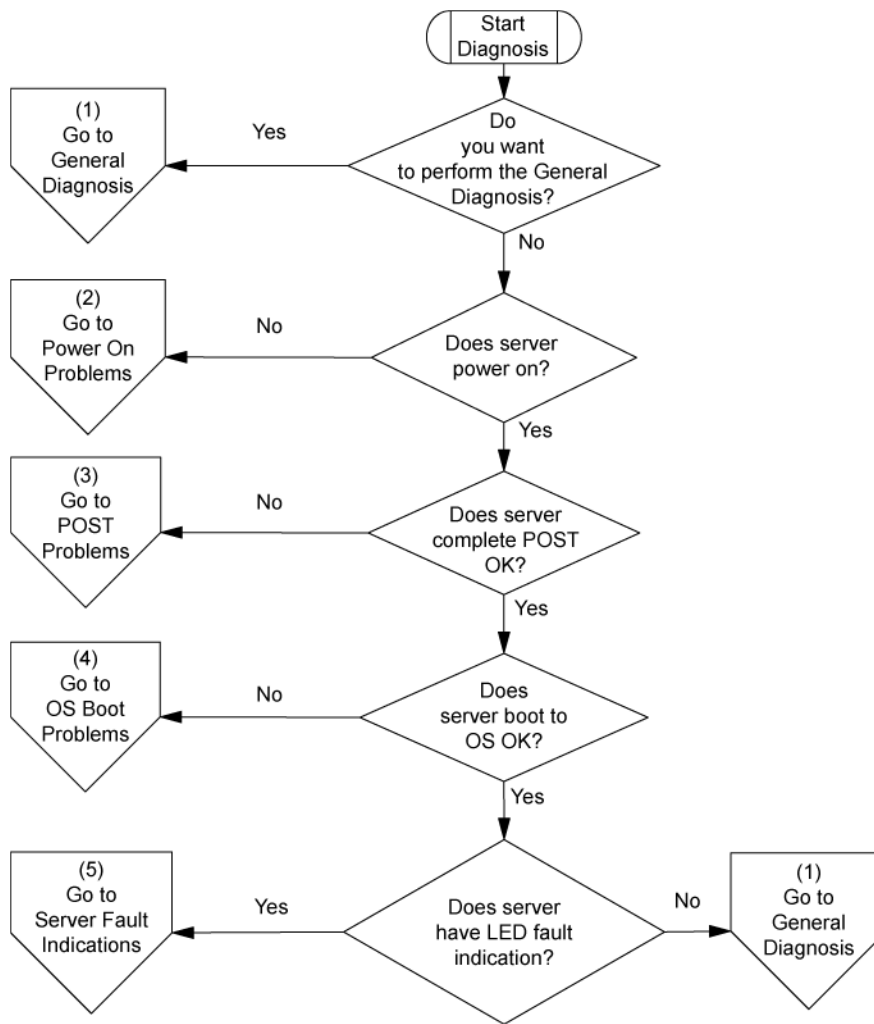
The available flowcharts include:

- Start diagnosis flowchart (on page 43)
- General diagnosis flowchart (on page 44)
- Server power-on problems flowchart ("Power-on problems flowchart" on page 46)
- POST problems flowchart (on page 47)
- OS boot problems flowchart (on page 49)
- Server fault indications flowchart (on page 50)

## Start diagnosis flowchart

Use the following flowchart and table to start the diagnostic process.

Item	See
1	"General diagnosis flowchart (on page 44)"
2	"Power-on problems flowchart (on page 46)"
3	"POST problems flowchart (on page 47)"
4	"OS boot problems flowchart (on page 49)"
5	"Server fault indications flowchart (on page 50)"

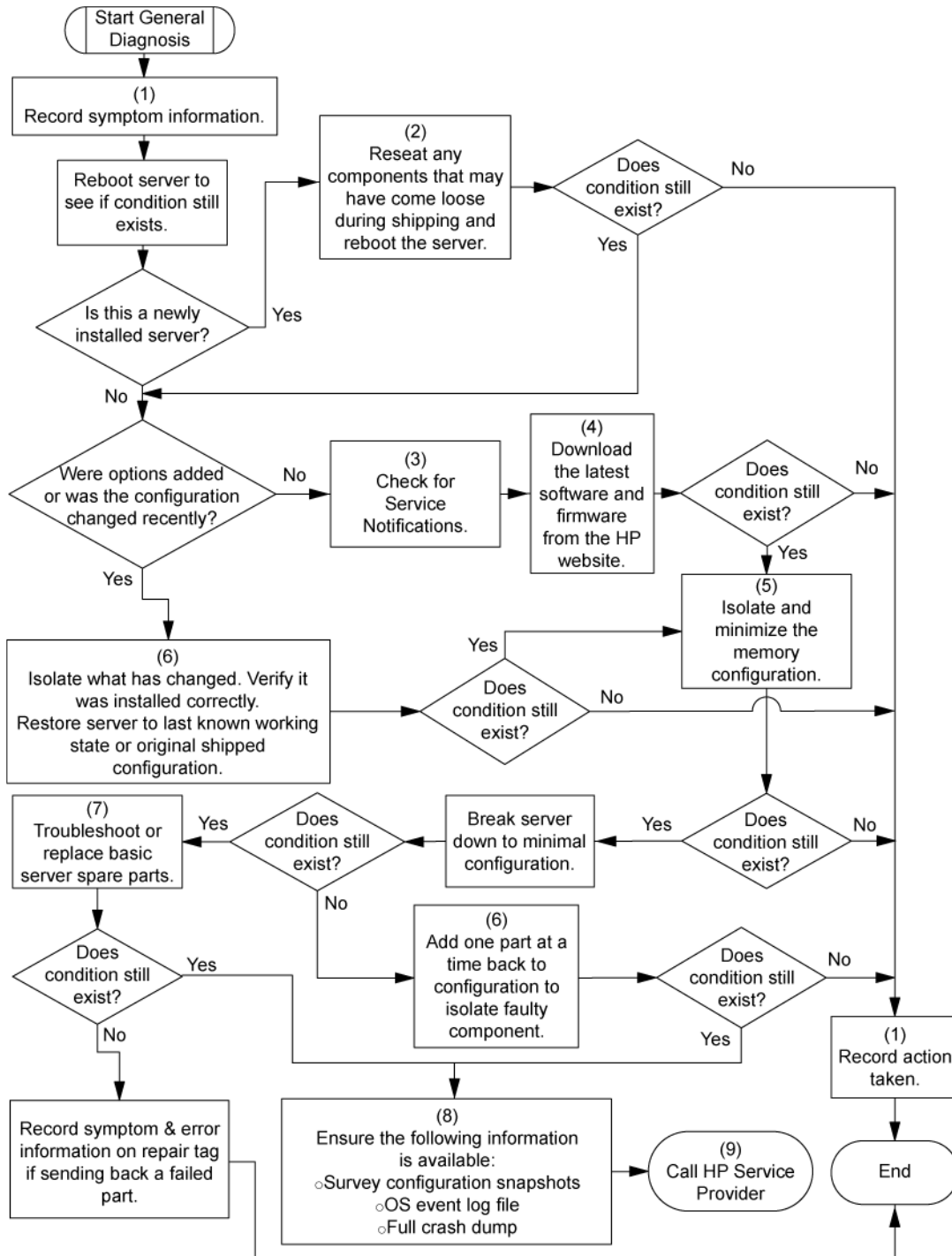


## General diagnosis flowchart

The General Diagnosis flowchart provides a generic approach to troubleshooting. If you are unsure of the problem, or if the other flowcharts do not correct the problem, use the following flowchart.

Item	See
1	"Symptom information (on page 39)"
2	"Loose connections (on page 41)"
3	"Service notifications (on page 41)"
4	The most recent version of a particular server or option firmware is available on the HP website ( <a href="http://www.hp.com/support">http://www.hp.com/support</a> ).
5	"General memory problems are occurring (on page 60)"
6	<ul style="list-style-type: none"> <li>• Server maintenance and service guide, located on the HP website (<a href="http://www.hp.com/products/servers/platforms">http://www.hp.com/products/servers/platforms</a>)</li> <li>• "Hardware problems (on page 51)"</li> <li>• Server maintenance and service guide, located on the HP website (<a href="http://www.hp.com/products/servers/platforms">http://www.hp.com/products/servers/platforms</a>)</li> </ul>

Item	See
7	<ul style="list-style-type: none"> <li>Server maintenance and service guide, located on the HP website (<a href="http://www.hp.com/products/servers/platforms">http://www.hp.com/products/servers/platforms</a>)</li> <li>"Hardware problems (on page 51)"</li> </ul>
8	<ul style="list-style-type: none"> <li>"Server information you need"</li> <li>"Operating system information you need (on page 70)"</li> </ul>
9	"HP contact information (on page 81)"



# Power-on problems flowchart

## Symptoms:

- The server does not power on.
- The system power LED is off or amber.

---

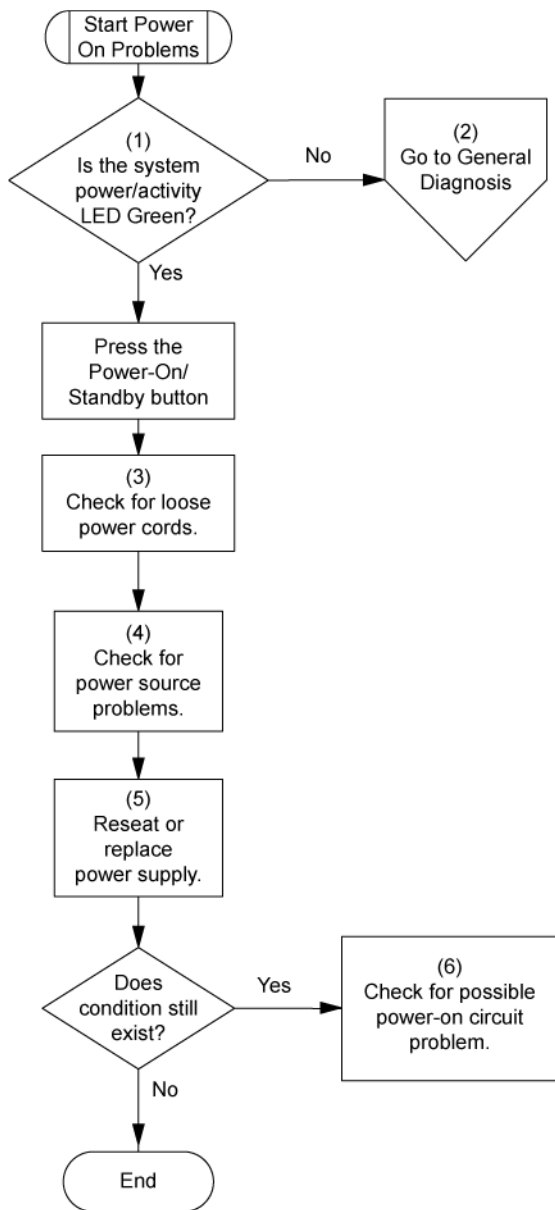
**NOTE:** For the location of server LEDs and information on their statuses, refer to the server documentation.

---

## Possible causes:

- Improperly seated or faulty power supply
- Loose or faulty power cord
- Power source problem
- Power on circuit problem
- Improperly seated component or interlock problem
- Faulty internal component

Item	See
1	Server maintenance and service guide, located on the HP website ( <a href="http://www.hp.com/products/servers/platforms">http://www.hp.com/products/servers/platforms</a> )
2	"General diagnosis flowchart (on page 44)"
3	"Loose connections (on page 41)"
4	"Power source problems (on page 52)"
5	<ul style="list-style-type: none"><li>• "Power supply problems (on page 52)"</li><li>• Server maintenance and service guide, located on the HP website (<a href="http://www.hp.com/products/servers/platforms">http://www.hp.com/products/servers/platforms</a>)</li></ul>
6	"System open circuits and short circuits (on page 62)"



## POST problems flowchart

Symptoms:

- Server does not complete POST

---

**NOTE:** The server has completed POST when the system attempts to access the boot device.

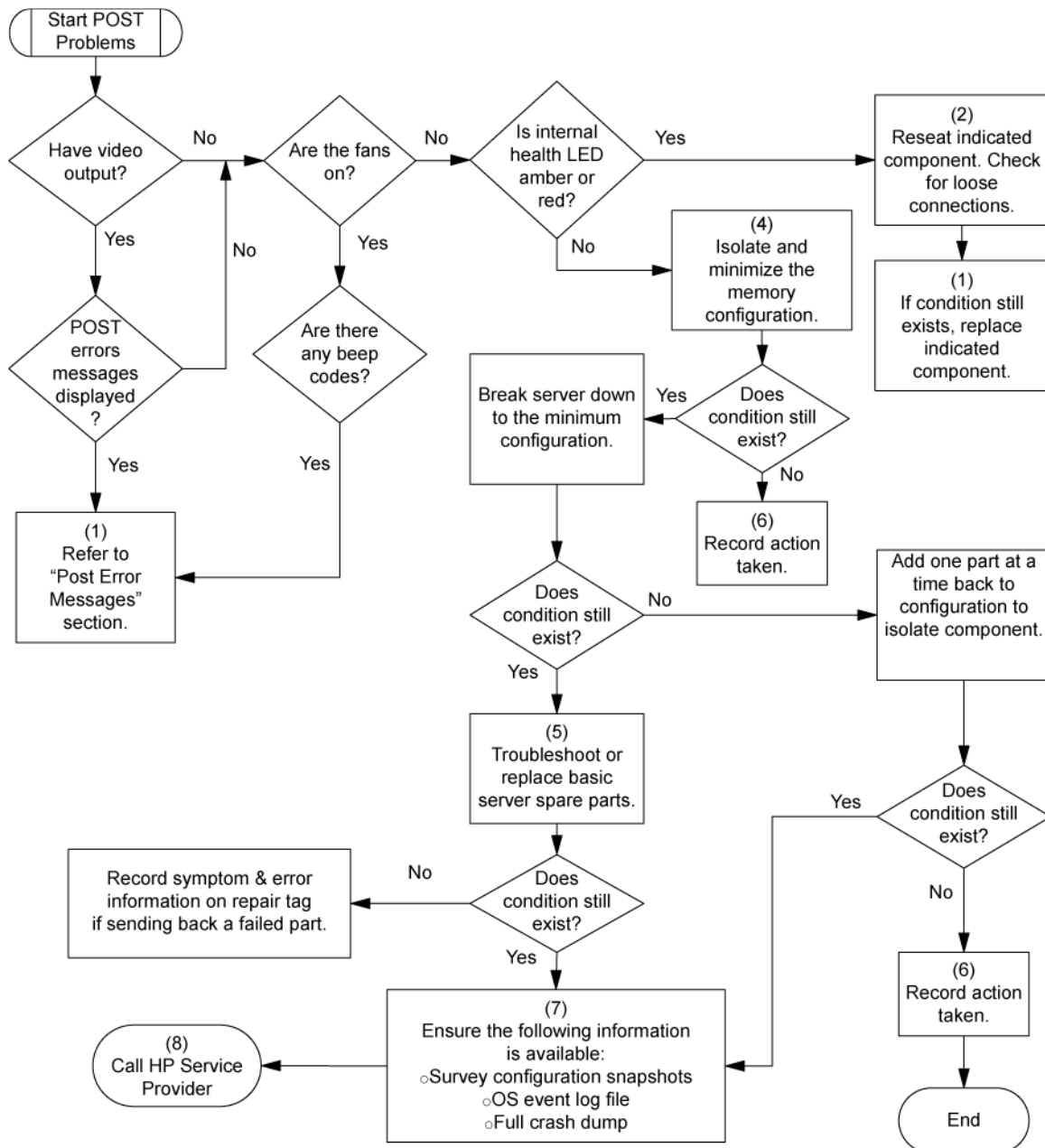
---

- Server completes POST with errors

Possible problems:

- Improperly seated or faulty internal component
- Faulty KVM device
- Faulty video device

Item	See
1	Server maintenance and service guide, located on the HP website ( <a href="http://www.hp.com/products/servers/platforms">http://www.hp.com/products/servers/platforms</a> )
2	"Loose connections (on page 41)"
3	"General memory problems are occurring (on page 60)"
4	<ul style="list-style-type: none"> <li>"Hardware problems (on page 51)"</li> <li>Server maintenance and service guide, located on the HP website (<a href="http://www.hp.com/products/servers/platforms">http://www.hp.com/products/servers/platforms</a>)</li> </ul>
5	"Symptom information (on page 39)"
6	<ul style="list-style-type: none"> <li>"Server information you need"</li> <li>"Operating system information you need (on page 70)"</li> </ul>
7	"HP contact information (on page 81)"





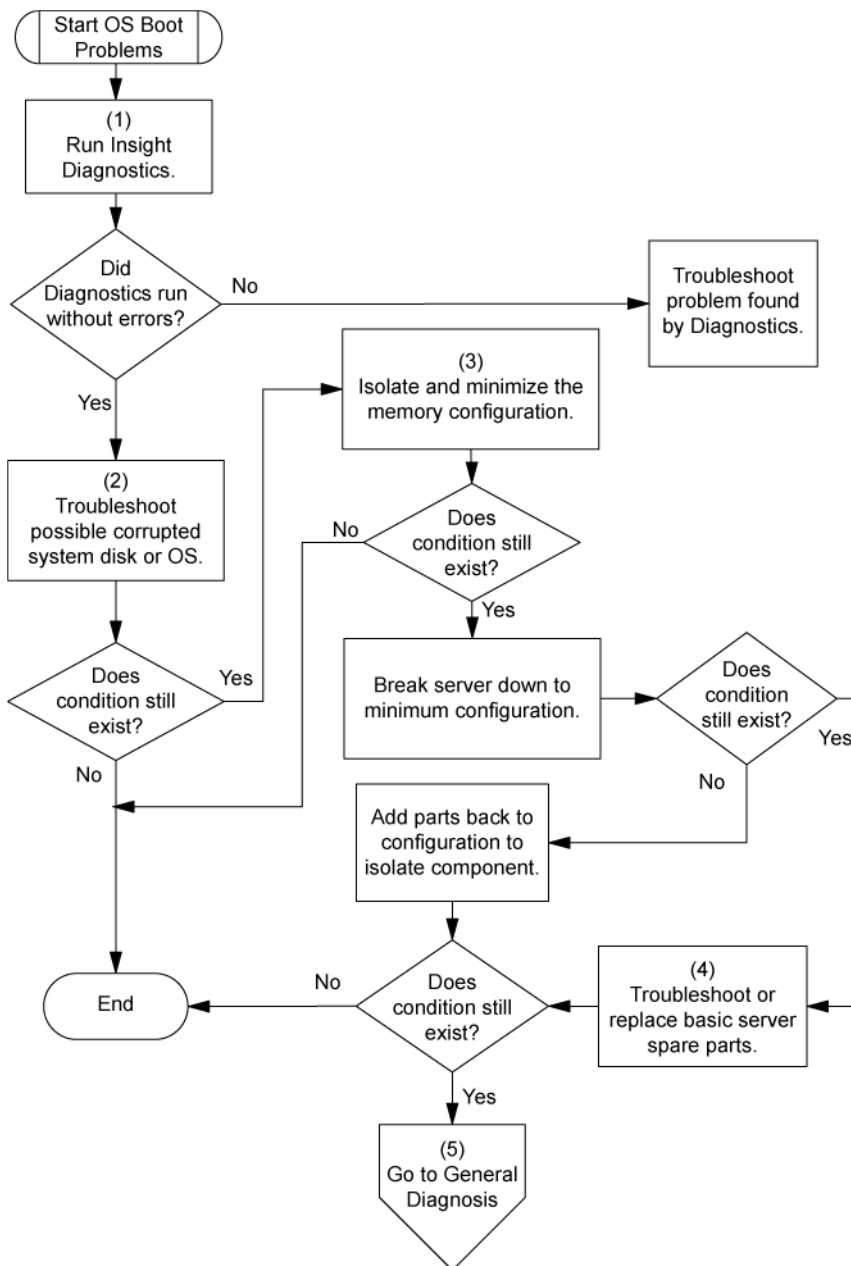
# OS boot problems flowchart

Symptom: Server does not boot a previously installed operating system.

Possible causes:

- Corrupted operating system
- Hard drive subsystem problem

Item	See
1	"HP Insight Diagnostics ("ProLiant MicroServer Insight Diagnostics" on page 32)"
2	<ul style="list-style-type: none"><li>• "Operating system problems (on page 65)"</li><li>• "HP contact information (on page 81)"</li></ul>
3	"General memory problems are occurring (on page 60)"
4	<ul style="list-style-type: none"><li>• "Hardware problems (on page 51)"</li><li>• Server maintenance and service guide, located on the HP website (<a href="http://www.hp.com/products/servers/platforms">http://www.hp.com/products/servers/platforms</a>)</li></ul>
5	"General diagnosis flowchart (on page 44)"



## Server fault indications flowchart

Symptom: Server boots, but the internal health LED or external health LED is red or amber.

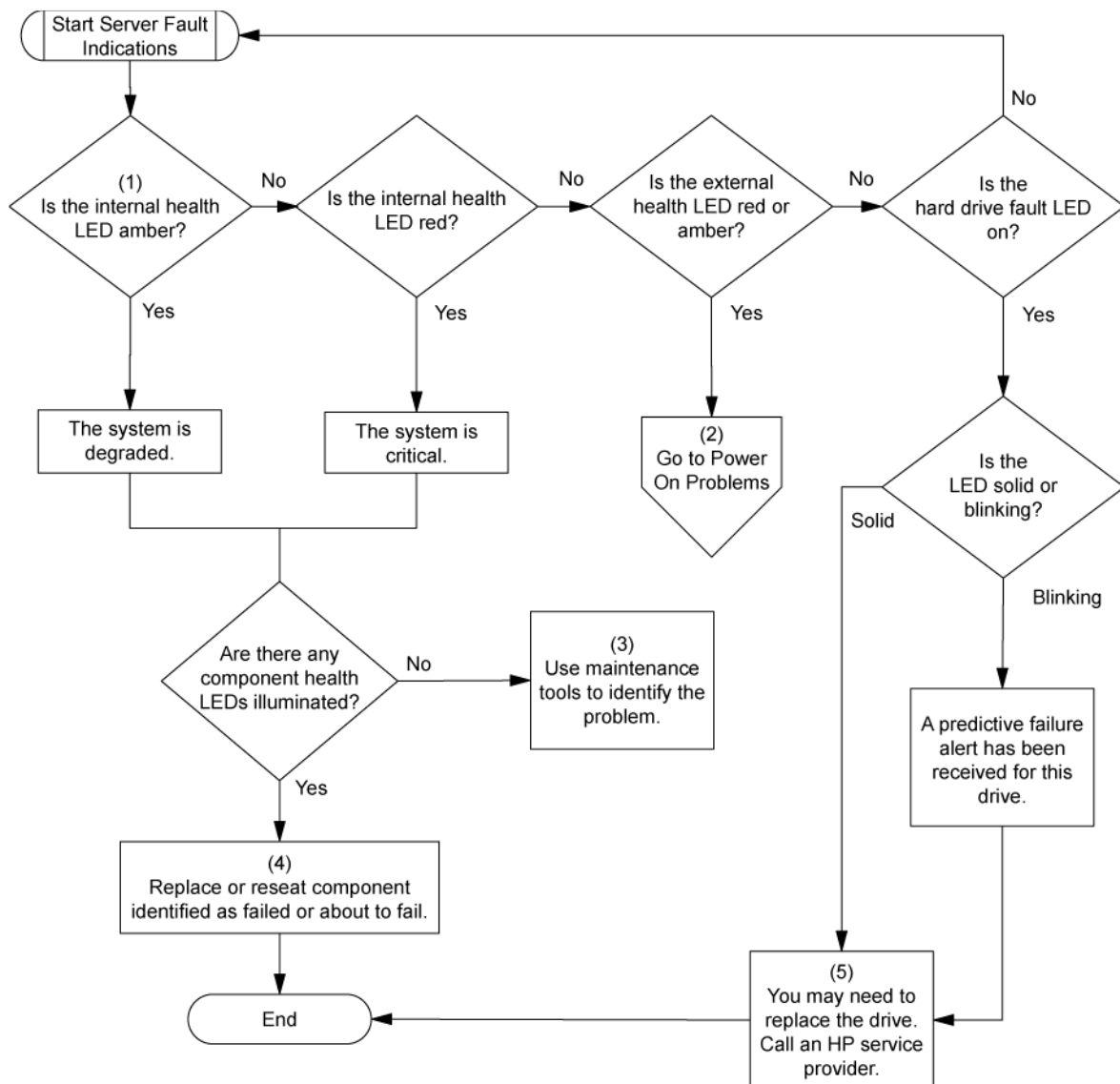
**NOTE:** For the location of server LEDs and information on their statuses, refer to the server documentation.

Possible causes:

- Improperly seated or faulty internal or external component
- Unsupported component installed
- Redundancy failure

- System overtemperature condition

Item	See
1	Server maintenance and service guide, located on the HP website ( <a href="http://www.hp.com/products/servers/platforms">http://www.hp.com/products/servers/platforms</a> )
2	"Power-on problems flowchart (on page 46)"
3	"HP Insight Diagnostics ("ProLiant MicroServer Insight Diagnostics" on page 32)"
4	<ul style="list-style-type: none"> <li>• "Hardware problems (on page 51)"</li> <li>• Server maintenance and service guide, located on the HP website (<a href="http://www.hp.com/products/servers/platforms">http://www.hp.com/products/servers/platforms</a>)</li> </ul>
5	"HP contact information (on page 81)"



## Hardware problems

Power problems (on page 52)

- General hardware problems (on page [53](#))
- Internal system problems (on page [56](#))
- System open circuits and short circuits (on page [62](#))
- External device problems (on page [62](#))
- Mouse and keyboard problems (on page [63](#))
- Network controller problems (on page [64](#))

## Power problems

### Power source problems

**Action:**

1. Press the Power On/Standby button to be sure it is on. If the server has a Power On/Standby button that returns to its original position after being pressed, be sure you press the switch firmly.
2. Plug another device into the grounded power outlet to be sure the outlet works. Also, be sure the power source meets applicable standards.
3. Replace the power cord with a known functional power cord to be sure it is not faulty.
4. Replace the power strip with a known functional power strip to be sure it is not faulty.
5. Have a qualified electrician check the line voltage to be sure it meets the required specifications.
6. Be sure the proper circuit breaker is in the On position.
7. If Enclosure Dynamic Power Capping or Enclosure Power Limit is enabled on supported servers, be sure there is sufficient power allocation to support the server. For more information, see the following documents:
  - o The *HP Power Capping and HP Dynamic Power Capping for ProLiant servers* technology brief on the HP website (<http://h20000.www2.hp.com/bc/docs/support/SupportManual/c01549455/c01549455.pdf>)
  - o The *HP BladeSystem Onboard Administrator User Guide* on the HP website (<http://www.hp.com/go/bladeSystem/documentation>)
8. Be sure no loose connections exist ("[Loose connections](#)" on page [41](#)).

### Power supply problems

**Action:**

1. Be sure no loose connections (on page [41](#)) exist.
2. If the power supplies have LEDs, be sure they indicate that each power supply is working properly. Refer to the server documentation. If LEDs indicate a problem with a power supply, replace the power supply.
3. Be sure the system has enough power, particularly if you recently added hardware, such as hard drives. Additional power supplies may be required. Use the server documentation for product-specific information.

## UPS problems

### UPS is not working properly

**Action:**

1. Be sure the UPS batteries are charged to the proper level for operation. See the UPS documentation for details.
2. Be sure the UPS power switch is in the On position. See the UPS documentation for the location of the switch.
3. Be sure the UPS software is updated to the latest version. Use the Power Management software located on the Power Management CD.
4. Be sure the power cord is the correct type for the UPS and the country in which the server is located. See the UPS reference guide for specifications.
5. Be sure the line cord is connected.
6. Be sure each circuit breaker is in the On position, or replace the fuse if needed. If this occurs repeatedly, contact an authorized service provider.
7. Check the UPS LEDs to be sure a battery or site wiring problem has not occurred. See the UPS documentation.
8. If the UPS sleep mode is initiated, disable sleep mode for proper operation. The UPS sleep mode can be turned off through the configuration mode on the front panel.
9. Change the battery to be sure damage was not caused by excessive heat, particularly if a recent air conditioning outage has occurred.

---

**NOTE:** The optimal operating temperature for UPS batteries is 25°C (77°F). For approximately every 8°C to 10°C (16°F to 18°F) average increase in ambient temperature above the optimal temperature, battery life is reduced by 50 percent.

---

### Low battery warning is displayed

**Action:**

1. Plug the UPS into an AC grounded outlet for at least 24 hours to charge the batteries, and then test the batteries. Replace the batteries if necessary.
2. Be sure the alarm is set appropriately by changing the amount of time given before a low battery warning. Refer to the UPS documentation for instructions.

### One or more LEDs on the UPS is red

**Action:** Refer to the UPS documentation for instructions regarding the specific LED to determine the cause of the error.

## General hardware problems

### Problems with new hardware

**Action:**

1. Be sure the hardware being installed is a supported option on the server. For a list of supported options, see the server documentation. Remove unsupported hardware.

2. Refer to the release notes included with the hardware to be sure the problem is not caused by a last minute change to the hardware release. If no documentation is available, refer to the HP support website (<http://www.hp.com/support>).
3. Be sure the new hardware is installed properly. Refer to the device, server, and operating system documentation to be sure all requirements are met.  
Common problems include:
  - o Incomplete population of a memory bank
  - o Installation of a processor without a corresponding PPM
  - o Installation of a SCSI device without termination or without proper ID settings
  - o Setting of an IDE device to Primary/Secondary when the other device is set to CS
  - o Connection of the data cable, but not the power cable, of a new device
4. Be sure no memory, I/O, or interrupt conflicts exist.
5. Be sure no loose connections (on page 41) exist.
6. Be sure all cables are connected to the correct locations and are the correct lengths. For more information, refer to the server documentation.
7. Be sure other components were not unseated accidentally during the installation of the new hardware component.
8. Be sure all necessary software updates, such as device drivers, ROM updates, and patches, are installed and current. For example, if you are using a Smart Array controller, you need the latest Smart Array Controller device driver.
9. Be sure all device drivers are the correct ones for the hardware. Uninstall any incorrect drivers before installing the correct drivers.
10. Press the **F10** key to run the BIOS Setup Utility after boards or other options are installed or replaced to be sure all system components recognize the changes. If you do not run the utility, you may receive a POST error message indicating a configuration error. After you check the settings in the BIOS setup menu, press the **F10** key to save and exit the utility, and then restart the server.
11. Be sure all switch settings are set correctly. For additional information about required switch settings, refer to the labels located on the inside of the server access panel or the server documentation.
12. Be sure all boards are properly installed in the server.
13. Run ProLiant MicroServer Insight Diagnostics (on page 32) to see if it recognizes and tests the device.
14. Uninstall the new hardware.

## Unknown problem

### Action:

1. Disconnect power to the server.
2. Following the guidelines and cautionary information in the server documentation, strip the server to its most basic configuration by removing every card or device that is not necessary to start the server. Keep the monitor connected to view the server startup process.
3. Reconnect power, and then power the system on.
  - o If the video does not work, refer to "Video problems (on page 62)."

---

**⚠ CAUTION:** Only authorized technicians trained by HP should attempt to remove the system board. If you believe the system board requires replacement, contact HP Technical Support ("[HP contact information](#)" on page 81) before proceeding.

---

- If the system fails in this minimum configuration, one of the primary components has failed. If you have already verified that the processor, PPM, power supply, and memory are working before getting to this point, replace the system board. If not, be sure each of those components is working.
- If the system boots and video is working, add each component back to the server one at a time, restarting the server after each component is added to determine if that component is the cause of the problem. When adding each component back to the server, be sure to disconnect power to the server and follow the guidelines and cautionary information in the server documentation.

## Third-party device problems

### Action:

1. Refer to the server and operating system documentation to be sure the server and operating system support the device.
2. Be sure the latest device drivers are installed.
3. Refer to the device documentation to be sure the device is properly installed. For example, a third-party PCI or PCI-X board may be required to be installed on the primary PCI or PCI-X bus, respectively.

### Testing the device

#### Action:

1. Uninstall the device.  
If the server works with the device removed and uninstalled, a problem exists with the device, the server does not support the device, or a conflict exists with another device.
2. If the device is the only device on a bus, be sure the bus works by installing a different device on the bus.
3. Restarting the server each time to determine if the device is working, move the device:
  - a. To a different slot on the same bus (not applicable for PCI Express)
  - b. To a PCI, PCI-X, or PCI Express slot on a different bus
  - c. To the same slot in another working server of the same or similar designIf the board works in any of these slots, either the original slot is bad or the board was not properly seated. Reinsert the board into the original slot to verify.
4. If you are testing a board (or a device that connects to a board):
  - a. Test the board with all other boards removed.
  - b. Test the server with only that board removed.

---

**⚠ CAUTION:** Clearing NVRAM deletes the configuration information. Refer to the server documentation for complete instructions before performing this operation or data loss could occur.

---

5. Clearing NVRAM can resolve various problems. Clear the NVRAM, but do not use the backup .SCI file if prompted. Have available any .CFG, .OVL, or .PCF files that are required.

# Internal system problems

## CD-ROM and DVD drive problems

### System does not boot from the drive

**Action:**

1. Be sure the drive boot order is set so that the server boots from the CD-ROM drive first.
2. If the CD-ROM drive jumpers are set to CS (the factory default), be sure the CD-ROM drive is installed as device 0 on the cable so that it is in position for the server to boot from the drive.
3. Be sure no loose connections (on page 41) exist.
4. Be sure the media from which you are attempting to boot is not damaged and is a bootable CD.
5. If attempting to boot from a USB CD-ROM drive, refer to the operating system and server documentation to be sure both support booting from a USB CD-ROM drive.

### Data read from the drive is inconsistent, or drive cannot read data

**Action:**

1. Clean the drive and media.
2. If a paper or plastic label has been applied to the surface of the CD or DVD in use, remove the label and any adhesive residue.
3. Be sure the inserted CD or DVD format is valid for the drive. For example, be sure you are not inserting a DVD into a drive that only supports CDs.

### Drive is not detected

**Action:**

1. Be sure no loose connections (on page 41) exist.
2. Refer to the drive documentation to be sure cables are connected as required.
3. Be sure the cables are working properly. Replace with known functional cables to test whether the original cables were faulty.
4. Be sure the correct, current driver is installed.

## DAT drive problems

### Sense error codes are displayed

**Action:** Refer to the *Troubleshooting DAT Drives* white paper for information on DAT drive sense error codes. Search for it on the HP website (<http://www.hp.com>).

### DAT drive error or failure occurs

**Action:**

1. Be sure drivers, software, and firmware are upgraded to the latest revisions.
2. Clean the drive at least four times to be sure that the heads are clean and to eliminate dirty heads as the possible cause of the failure.



DAT drives require cleaning every 8 to 25 hours of use or they may fail intermittently when using marginal or bad media. Be sure you are following the proper cleaning procedures described in the device and server documentation.

---

**NOTE:** New DAT tapes may contain debris that will contaminate the DAT drive read/write head. If using new tapes for backup, clean the DAT drive frequently.

---

### DAT drive is providing poor performance

**Action:** Be sure the drive is not being used to backup more data than is recommended for the drive. DAT drives are designed with optimum and maximum data backup sizes. Refer to the drive documentation to determine the appropriate data backup size for the drive.

### Latest firmware indicates a defective tape, or head clogs occur regularly

**Action:** Replace the tape.

### Other errors are occurring

**Action:** Replace the drive.

## Diskette drive problems

### Diskette drive light stays on

**Action:**

1. Be sure no loose connections (on page 41) exist.
2. Be sure the diskette is not damaged. Run the diskette utility on the diskette (CHKDSK on some systems).
3. Be sure the diskette is properly inserted. Remove the diskette and reinsert correctly into the drive.
4. Be sure the diskette drive is cabled properly. Refer to the server documentation.

### A problem has occurred with a diskette transaction

**Action:** Be sure the directory structure on the diskette is not bad. Run the diskette utility to check for fragmentation (CHKDSK on some systems).

### Diskette drive cannot read a diskette

**Action:**

1. If the diskette is not formatted, format the diskette.
2. Check the type of drive you are using and be sure you are using the correct diskette type.

### Drive is not found

**Action:** Be sure no loose connections (on page 41) exist with the drive.

### Non-system disk message is displayed

**Action:**

1. Remove the non-system diskette from the drive.

2. Check for and disconnect any non-bootable USB devices.

### Diskette drive cannot write to a diskette

**Action:**

1. If the diskette is not formatted, format the diskette.
2. Be sure the diskette is not write protected. If it is, use another diskette or remove the write protection.
3. Be sure you are attempting to write to the proper drive by checking the drive letter in the path statement.
4. Be sure enough space is available on the diskette.

## Fan problems

### General fan problems are occurring

**Action:**

1. Be sure the fans are properly seated and working.
  - a. Follow the procedures and warnings in the server documentation for removing the access panels and accessing and replacing fans.
  - b. Unseat, and then reseat, each fan according to the proper procedures.
  - c. Replace the access panels, and then attempt to restart the server.
2. Be sure the fan configuration meets the functional requirements of the server. Refer to the server documentation.
3. Be sure no ventilation problems exist. If you have been operating the server for an extended period of time with the access panel removed, airflow may have been impeded, causing thermal damage to components. Refer to the server documentation for further requirements.
4. Be sure no POST error messages are displayed while booting the server that indicate temperature violation or fan failure information. Refer to the server documentation for the temperature requirements for the server.
5. Replace any required non-functioning fans and restart the server. Refer to the server documentation for specifications on fan requirements.
6. Be sure all fan slots have fans or blanks installed. Refer to the server documentation for requirements.
7. Verify the fan airflow path is not blocked by cables or other material.

## Hard drive problems

### System completes POST but hard drive fails

**Action:**

1. Be sure no loose connections (on page 41) exist.
2. Be sure no device conflict exists.
3. Be sure the hard drive is properly cabled and terminated if necessary.
4. Be sure the hard drive data cable is working by replacing it with a known functional cable.
5. Run ProLiant MicroServer Insight Diagnostics (on page 32) and replace failed components as indicated.

## No hard drives are recognized

### Action:

1. Be sure no power problems (on page 52) exist.
2. Check for loose connections (on page 41).
3. Be sure that the controller supports the hard drives being installed.
4. Be sure the controller has the most recent firmware.
5. If the controller supports license keys and the configuration is dual domain, be sure the license key is installed.

## Hard drive is not recognized by the server

### Action:

1. Check the LEDs on the hard drive to be sure they indicate normal function. Refer to the server documentation or the HP website (<http://www.hp.com>) for information on hard drive LEDs.
2. Be sure no loose connections (on page 41) exist.
3. Remove the hard drive and be sure the configuration jumpers are set properly.
4. If using an array controller, be sure the hard drive is configured in an array. Run the array configuration utility.
5. Be sure the drive is properly configured. Refer to the drive documentation to determine the proper configuration.
6. If it is a non-hot-plug drive, be sure a conflict does not exist with another hard drive. Check for SCSI ID conflicts.
7. Be sure the correct drive controller drivers are installed.

## A new hard drive is not recognized

### Action:

1. Be sure the drive is supported. To determine drive support, see the server documentation or the HP website (<http://www.hp.com/go/bizsupport>).
2. Be sure the drive bay is not defective by installing the hard drive in another bay.
3. Run ProLiant MicroServer Insight Diagnostics (on page 32). Then, replace failed components as indicated.
4. When the drive is a replacement drive on an array controller, be sure that the drive is the same type and of the same or larger capacity than the original drive.

## Data is inaccessible

### Action:

1. Be sure the files are not corrupt. Run the repair utility for the operating system.
2. Be sure no viruses exist on the server. Run a current version of a virus scan utility.
3. When a TPM is installed and is being used with BitLocker™, be sure the TPM is enabled in RBSU ("ROM-Based Setup Utility" on page 31). See the TPM replacement recovery procedure in the operating system documentation.
4. When migrating encrypted data to a new server, be sure to follow the recovery procedures in the operating system documentation.

## Server response time is slower than usual

**Action:** Be sure the hard drive is not full, and increase the amount of free space on the hard drive, if needed. It is recommended that hard drives should have a minimum of 15 percent free space.

## Memory problems

### General memory problems are occurring

**Action:**

- Isolate and minimize the memory configuration. Use care when handling DIMMs ("[DIMM handling guidelines](#)" on page 42).
  - Be sure the memory meets the server requirements and is installed as required by the server. Some servers may require that memory banks are populated fully or that all memory within a memory bank must be the same size, type, and speed. To determine if the memory is installed properly, see the server documentation.
  - Check any server LEDs that correspond to memory slots.
  - If you are unsure which DIMM has failed, test each bank of DIMMs by removing all other DIMMs. Then, isolate the failed DIMM by switching each DIMM in a bank with a known working DIMM.
  - Remove any third-party memory.
- To test the memory, run ProLiant MicroServer Insight Diagnostics (on page 32).

### Server is out of memory

**Action:**

1. Be sure the memory is configured properly. Refer to the application documentation to determine the memory configuration requirements.
2. Be sure no operating system errors are indicated.
3. Be sure a memory count error ("[Memory count error exists](#)" on page 60) did not occur. Refer to the message displaying memory count during POST.

### Memory count error exists

**Action:**

1. Be sure the memory modules are supported by the server. See the server documentation.
2. Be sure the memory modules are installed correctly in a supported configuration. See the server documentation.
3. Be sure the memory modules are seated properly ("[DIMM handling guidelines](#)" on page 42).
4. Be sure there are no operating system errors indicated.
5. Restart the server and check to see if the error message is still displayed.
6. Run ProLiant MicroServer Insight Diagnostics (on page 32). Then, replace failed components as indicated.

### Server fails to recognize existing memory

**Action:**

1. Reseat the memory. Use care when handling DIMMs ("[DIMM handling guidelines](#)" on page 42).

2. Be sure the memory is configured properly. See the server documentation.
3. Be sure a memory count error did not occur ("Memory count error exists" on page 60). See the message displaying memory count during POST.

## Server fails to recognize new memory

### Action:

1. Be sure the memory is the correct type for the server and is installed according to the server requirements. Refer to the server documentation or HP website (<http://www.hp.com>).
2. Be sure you have not exceeded the memory limits of the server or operating system. Refer to the server documentation.
3. Be sure the memory is properly seated.
4. Be sure no conflicts are occurring with existing memory. Run the server setup utility.
5. Test the memory by installing the memory into a known working server. Be sure the memory meets the requirements of the new server on which you are testing the memory.
6. Replace the memory. Refer to the server documentation.

## PPM problems

**Action:** If the PPMs are not integrated on the system board:



---

**CAUTION:** Do not operate the server for long periods with the access panel open or removed. Operating the server in this manner results in improper airflow and improper cooling that can lead to thermal damage.

---

1. If applicable, check the PPM LEDs to identify if a PPM failure occurred. For information on LEDs, refer to the server documentation.
2. Reseat each PPM, and then restart the server.
3. If reseating the PPMs is not effective, remove all but one PPM, restart the server to see if the PPM is working, and then install each PPM individually, cycling power each time. Follow the warnings and cautionary information in the server documentation.

## Processor problems

### Action:

1. If applicable, check the processor LEDs to identify if a PPM failure occurred. For information on LEDs, refer to the server documentation.
2. Be sure each processor is supported by the server and is installed properly. Refer to the server documentation for processor requirements.
3. Be sure the server ROM is up to date.
4. Be sure you are not mixing processor stepping, core speeds, or cache sizes if this is not supported on the server. Refer to the server documentation for more information.



---

**CAUTION:** Removal of some processors and heatsinks require special considerations for replacement, while other processors and heatsinks are integrated and cannot be reused once separated. For specific instructions for the server you are troubleshooting, refer to processor information in the server user guide.

---

5. If the server has only one processor installed, replace it with a known functional processor. If the problem is resolved after you restart the server, the original processor failed.
6. If the server has multiple processors installed, test each processor:
  - a. Remove all but one processor from the server. Replace each with a processor terminator board or blank, if applicable to the server.
  - b. If the server includes PPMs that are not integrated on the system board, remove all PPMs from the server except for the PPM associated with the remaining processor.
  - c. Replace the remaining processor with a known functional processor. If the problem is resolved after you restart the server, a fault exists with one or more of the original processors. Install each processor and its associated PPM (if applicable) one by one, restarting each time, to find the faulty processor or processors. Be sure the processor configurations at each step are compatible with the server requirements.

## System open circuits and short circuits

### Action:



---

**CAUTION:** Do not operate the server for long periods with the access panel open or removed. Operating the server in this manner results in improper airflow and improper cooling that can lead to thermal damage.

---

1. Check the server LEDs to see if any statuses indicate the source of the problem. For LED information, refer to the server documentation.
2. Remove all power sources to the server.
3. Be sure no loose connections (on page 41) exist in the area.
4. Be sure each component in the area is working. Refer to the section for each component in this guide.

If you cannot determine the problem by checking the specific area, perform each of the following actions. Restart the server after each action to see if the problem has been corrected.

- Reseat all I/O expansion boards.
- Be sure no loose connections (on page 41) exist in the rest of the server, particularly with the cables that connect to the system board.
- Be sure no foreign material exists, such as screws, bits, or slot bracket blanks, that may be short circuiting components.

## External device problems

### Video problems

#### Screen is blank for more than 60 seconds after you power up the server

##### Action:

1. Power up the monitor and be sure the monitor light is on, indicating that the monitor is receiving power.
2. Be sure the monitor power cord is plugged into a working grounded (earthed) AC outlet.
3. Be sure the monitor is cabled to the intended server or KVM connection.
4. Be sure no loose connections (on page 41) exist.

- For rack-mounted servers, check the cables to the KVM switch and be sure the switch is correctly set for the server. You may need to connect the monitor directly to the server to be sure the KVM switch has not failed.
  - For tower-model servers, check the cable connection from the monitor to the server, and then from the server to the power outlet.
5. Press any key, or type the password, and wait a few moments for the screen to activate to be sure the energy saver feature is not in effect.
  6. Be sure the video driver is current. Refer to the third-party video adapter documentation for driver requirements.
  7. Be sure a video expansion board has not been added to replace onboard video, making it seem like the video is not working. Disconnect the video cable from the onboard video, and then reconnect it to the video jack on the expansion board.

---

**NOTE:** All servers automatically bypass onboard video when a video expansion board is present.

---

8. Press any key, or type the password, and wait a few moments for the screen to activate to be sure the power-on password feature is not in effect. You can also tell if the power-on password is enabled if a key symbol is displayed on the screen when POST completes.  
If you do not have access to the password, you must disable the power-on password by using the Password Disable switch on the system board. Refer to the server documentation.
9. If the video expansion board is installed in a PCI Hot Plug slot, be sure the slot has power by checking the power LED on the slot, if applicable. Refer to the server documentation.
10. Be sure the server and the operating system support the video expansion board.

### Monitor does not function properly with energy saver features

**Action:** Be sure the monitor supports energy saver features, and if it does not, disable the features.

### Video colors are wrong

**Action:**

- Be sure the 15-pin VGA cable is securely connected to the correct VGA port on the server and to the monitor.
- Be sure the monitor and any KVM switch are compatible with the VGA output of the server.

### Slow-moving horizontal lines are displayed

**Action:** Be sure magnetic field interference is not occurring. Move the monitor away from other monitors or power transformers.

## Mouse and keyboard problems

**Action:**

1. Be sure no loose connections (on page 41) exist. If a KVM switching device is in use, be sure the server is properly connected to the switch.
  - For rack-mounted servers, check the cables to the switch box and be sure the switch is correctly set for the server.

- For tower model servers, check the cable connection from the input device to the server.
- 2. If a KVM switching device is in use, be sure all cables and connectors are the proper length and are supported by the switch. Refer to the switch documentation.
- 3. Be sure the current drivers for the operating system are installed.
- 4. Be sure the device driver is not corrupted by replacing the driver.
- 5. Restart the system and check whether the input device functions correctly after the server restarts.
- 6. Replace the device with a known working equivalent device (another similar mouse or keyboard).
  - If the problem still occurs with the new mouse or keyboard, the connector port on the system I/O board is defective. Replace the board.
  - If the problem no longer occurs, the original input device is defective. Replace the device.
- 7. Be sure the keyboard or mouse is connected to the correct port. Determine whether the keyboard lights flash at POST or the NumLock LED illuminates. If not, change port connections.
- 8. Be sure the keyboard or mouse is clean.

## Network controller problems

### Network controller is installed but not working

**Action:**

1. Check the network controller LEDs to see if any statuses indicate the source of the problem. For LED information, refer to the network controller documentation.
2. Be sure no loose connections (on page 41) exist.
3. Be sure the network cable is working by replacing it with a known functional cable.
4. Be sure a software problem has not caused failure. Refer to the operating system documentation for guidelines on adding or replacing PCI Hot Plug devices, if applicable.
5. Be sure the server and operating system support the controller. Refer to the server and operating system documentation.
6. Be sure the controller is enabled in the BIOS Setup Utility.
7. Check the PCI Hot Plug power LED to be sure the PCI slot is receiving power, if applicable.
8. Be sure the server ROM is current.
9. Be sure the controller drivers are current.
10. Be sure a valid IP address is assigned to the controller and that the configuration settings are correct.
11. Run ProLiant MicroServer Insight Diagnostics (on page 32). Then replace failed components as indicated.

### Network controller has stopped working

**Action:**

1. Check the network controller LEDs to see if any statuses indicate the source of the problem. For LED information, refer to the network controller documentation.
2. Be sure the correct network driver is installed for the controller and that the driver file is not corrupted. Reinstall the driver.
3. Be sure no loose connections (on page 41) exist.



4. Be sure the network cable is working by replacing it with a known functional cable.
5. Check the PCI Hot Plug power LED to be sure the PCI slot is receiving power, if applicable.
6. Be sure the network controller is not damaged.
7. Run ProLiant MicroServer Insight Diagnostics (on page 32). Then replace failed components as indicated.

## Network controller stopped working when an expansion board was added

### Action:

1. Be sure no loose connections (on page 41) exist.
2. Be sure the server and operating system support the controller. Refer to the server and operating system documentation.
3. Be sure the new expansion board has not changed the server configuration, requiring reinstallation of the network driver.
  - a. Uninstall the network controller driver for the malfunctioning controller in the operating system.
  - b. Restart the server, run BIOS Setup Utility, and be sure the server recognizes the controller and resources are available for the controller.
  - c. Restart the server, and then reinstall the network driver.
4. Refer to the operating system documentation to be sure the correct drivers are installed.
5. Refer to the operating system documentation to be sure that the driver parameters match the configuration of the network controller.

## Problems are occurring with the network interconnect blades

**Action:** Be sure the network interconnect blades are properly seated and connected.

# Software problems

The best sources of information for software problems are the operating system and application software documentation, which may also point to fault detection tools that report errors and preserve the system configuration.

Other useful resources include ProLiant MicroServer Insight Diagnostics (on page 32). Use either utility to gather critical system hardware and software information and to help with problem diagnosis.

## Operating system problems

### Operating system locks up

**Action:** Scan for viruses with an updated virus scan utility.

### General protection fault occurs

A general protection fault, or general protection error, occurs when the Microsoft operating system terminates suddenly with an error, including but not limited to:

- Miscalculating the amount of RAM needed for an allocation

- Transferring execution to a segment that is not executable
- Writing to a read-only or a code segment
- Loading a bad value into a segment register
- Using a null pointer

A GPF is immediately identifiable by a blue screen with white text, and the text may contain information that identifies the problem.

**Action:**

- Remove any newly installed software or hardware to verify that they are not the cause.
- Boot the server in Safe Mode or Last Known Good Configuration.

If neither of these actions resolve the problem, contact an authorized service provider. For more information about debugging tools or specific GPF messages, refer to the Microsoft website (<http://www.microsoft.com/whdc/devtools/debugging/default.msp>).

## Errors are displayed in the error log

**Action:** Follow the information provided in the error log, and then refer to the operating system documentation.

## Problems occur after the installation of a service pack

**Action:** Follow the instructions for updating the operating system ("[Operating system updates](#)" on page 66).

## Operating system updates

Use care when applying operating system updates (Service Packs, hotfixes, and patches). Before updating the operating system, read the release notes for each update. If you do not require specific fixes from the update, it is recommended that you do **not** apply the updates. Some updates overwrite files specific to HP.

If you decide to apply an operating system update:

1. Perform a full system backup.
2. Apply the operating system update, using the instructions provided.
3. Install the current drivers.

If you apply the update and have problems, locate files to correct the problems on the HP website (<http://www.hp.com/support>).

## Restoring to a backed-up version

If you recently upgraded the operating system or software and cannot resolve the problem, you can try restoring a previously saved version of the system. Before restoring the backup, make a backup of the current system. If restoring the previous system does not correct the problem, you can restore the current set to be sure you do not lose additional functionality.

Refer to the documentation provided with the backup software.

## When to reconfigure or reload software

If all other options have not resolved the problem, consider reconfiguring the system. Before you take this step, do the following:

1. Weigh the projected downtime of a software reload against the time spent troubleshooting intermittent problems. It may be advantageous to start over by removing and reinstalling the problem software.
2. Be sure the server has adequate resources (processor speed, hard drive space, and memory) for the software.
3. Be sure the server ROM is current and the configuration is correct.
4. Be sure you have printed records of all troubleshooting information you have collected to this point.
5. Be sure you have two good backups before you start. Test the backups using a backup utility.
6. Check the operating system and application software resources to be sure you have the latest information.
7. If the last-known functioning configuration does not work, try to recover the system with operating system recovery software:
  - o Microsoft® operating systems:  
Windows Server® 2008—Automated System Recovery Diskette. If the operating system was factory-installed, click **Start>All Programs>Accessories>System Tools** to access the backup utility. Refer to the operating system documentation for more information.
  - o Linux—Refer to the operating system documentation for information.

## Linux operating systems

For troubleshooting information specific to Linux operating systems, refer to the Linux for ProLiant website (<http://h18000.www1.hp.com/products/servers/linux>).

## Application software problems

### Software locks up

**Action:**

1. Check the application log and operating system log for entries indicating why the software failed.
2. Check for incompatibility with other software on the server.
3. Check the support website of the software vendor for known problems.
4. Review log files for changes made to the server which may have caused the problem.
5. Scan the server for viruses with an updated virus scan utility.

### Errors occur after a software setting is changed

**Action:** Check the system logs to determine what changes were made, and then change settings to the original configuration.

## Errors occur after the system software is changed

**Action:** Change settings to the original configuration. If more than one setting was changed, change the settings one at a time to isolate the cause of the problem.

## Errors occur after an application is installed

**Action:**

- Check the application log and operating system log for entries indicating why the software failed.
- Check system settings to determine if they are the cause of the error. You may need to obtain the settings from the server setup utility and manually set the software switches. Refer to the application documentation, the vendor website, or both.
- Check for overwritten files. Refer to the application documentation to find out which files are added by the application.
- Reinstall the application.
- Be sure you have the most current drivers.

## Firmware maintenance

HP has developed technologies to help ensure that HP servers provide maximum uptime with minimal maintenance. Many of these technologies also reduce server management efforts, enabling administrators to work on issues and resolve problems without taking servers offline.

The process of updating system or option firmware is referred to as a flash process or **flashing the ROM**. A firmware or ROM flash removes the existing version of firmware from the ROM and replaces it with a more recent version.

Update the firmware to do the following:

- Support new hardware, such as a processor revision
- Support new features
- Correct problems in a previous firmware version

Without the correct firmware version, the server and hardware options may not function properly.

## Types of ROM

Types of ROMs include:

- System ROM (on page [68](#))
- Option ROMs (on page [69](#))

## System ROM

All ProLiant servers have a system ROM.

A system reboot is required for a ROM upgrade to take effect. For disaster recovery or ROM downgrade purposes, backups of the most current ROM image are available in either redundant ROM or a ROM backup.

## Automatic backup

A backup copy of the ROM image existing on the target server is made in the ROM image backup subdirectory:

```
\CPQSYSTEM\FWBACKUP\SYSTEM
```

For additional information, see the *HP Online ROM Flash User Guide* on the HP website (<http://www.hp.com/support/smartstart/documentation>).

## Option ROMs

Types of option ROMs include array controller ROMs.

## ROMPaq utility diskette or USB drive key

The bootable ROMPaq diskette or USB drive key contains all the necessary system files, option ROM image files, and the configuration files required to upgrade the ROM firmware.

This procedure is most effective when flashing the ROM on a small number of servers located in close proximity.

To flash the ROM using ROMPaq:

1. Download the system ROMPaq utility diskette or USB drive key for each target server. ROMPaq downloads are available on the HP website (<http://www.hp.com/support>).
2. Shut down each target server, and then reboot using the correct ROMPaq diskette or USB drive key for that server.
3. Follow the interactive session in the ROMPaq utility, and then select the devices to be flashed.
4. After the ROMPaq utility flashes the ROM for the selected devices, cycle power manually to reboot the system back into the operating system.

Option ROMPaqs have been retired as an upgrade delivery method for storage options. Firmware upgrades for storage options are now delivered using Smart Components and Smart Component deployment utilities.

For additional information about the ROMPaq utility, see the server documentation or the HP website (<http://www.hp.com/support>).

## Current firmware versions

### Automatic firmware updates

Subscriber's Choice (<http://www.hp.com/go/subscriberschoice>)

### Manual firmware updates

Download the latest firmware updates from the HP website (<http://www.hp.com/support>).

## Updating firmware

To verify the firmware version, use ProLiant MicroServer Insight Diagnostics (on page [32](#)).

To update the firmware:

1. Check the firmware version on the device.
2. Determine the latest firmware version available.

3. If a TPM is installed and enabled on the server, disable BitLocker™ before updating the firmware. For more information, see the operating system documentation.
4. Update the firmware to the current version supported for the hardware configuration.
5. Verify the firmware update by checking the firmware version.
6. If a TPM is installed and enabled on the server, enable BitLocker™ after the firmware update is complete. For more information, see the operating system documentation.

## Drivers

HP drivers and utilities can be found on the HP website (<http://www.hp.com>). For the latest drivers and information on supported operating systems, refer to the HP website (<http://www.hp.com/support>).



---

**IMPORTANT:** Always perform a backup before installing or updating device drivers.

---

## Operating system information you need

Depending on the problem, you may be asked for certain pieces of information. Be prepared to access the information listed in the following sections, based on operating system used.

### Microsoft® operating systems

Collect the following information:

- Whether the operating system was factory installed
- Operating system version number
- A current copy of the following files:
  - Boot.ini
  - Memory.dmp
  - Event logs
  - Dr. Watson log (drwtsn32.log) if a user mode application, such as the Insight Agents, is having a problem
  - IRQ and I/O address information in text format
- An updated Emergency Repair Diskette
- If HP drivers are installed:
  - Version of the drivers used
  - List of drivers
- The drive subsystem and file system information:
  - Number and size of partitions and logical drives
  - File system on each logical drive
- Current level of Microsoft® Windows® Service Packs and Hotfixes installed
- A list of each third-party hardware component installed, with the firmware revision
- A list of each third-party software component installed, with the version

- A detailed description of the problem and any associated error messages

## Linux operating systems

Collect the following information:

- Operating system distribution and version  
Look for a file named `/etc/distribution-release` (for example, `/etc/redhat-release`)
- Kernel version in use
- Output from the following commands (performed by root):
  - `lspci -v`
  - `uname -a`
  - `cat /proc/meminfo`
  - `cat /proc/cpuinfo`
  - `rpm -ga`
  - `dmesg`
  - `lsmod`
  - `ps -ef`
  - `ifconfig -a`
  - `chkconfig -list`
  - `mount`
- Contents of the following files:
  - `/var/log/messages`
  - `/etc/modules.conf` or `etc/conf.modules`
  - `/etc/lilo.conf` or `/etc/grub.conf`
  - `/etc/fstab`
- If HP drivers are installed:
  - Version of the drivers used
  - List of drivers
- A list of each third-party hardware component installed, with the firmware revisions
- A list of each third-party software component installed, with the versions
- A detailed description of the problem and any associated error messages

# Battery replacement

If the server no longer automatically displays the correct date and time, you may need to replace the battery that provides power to the real-time clock. Under normal use, battery life is 5 to 10 years.



**WARNING:** The computer contains an internal lithium manganese dioxide, a vanadium pentoxide, or an alkaline battery pack. A risk of fire and burns exists if the battery pack is not properly handled. To reduce the risk of personal injury:

- Do not attempt to recharge the battery.
- Do not expose the battery to temperatures higher than 60°C (140°F).
- Do not disassemble, crush, puncture, short external contacts, or dispose of in fire or water.
- Replace only with the spare designated for this product.

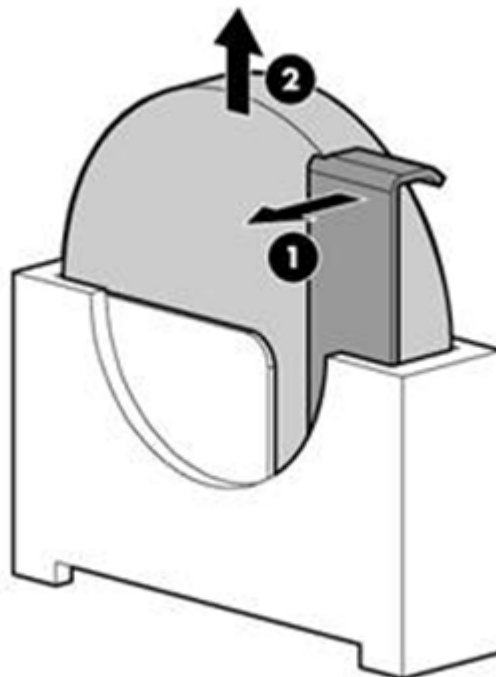
To remove the component:

1. Power down the server (on page 6).
2. Remove the access panel, and then pull out the motherboard tray.



**CAUTION:** To prevent damage to the server or expansion boards, power down the server and remove all AC power cords before removing or installing the expansion boards.

3. Remove the battery.



**IMPORTANT:** Replacing the system board battery resets the system ROM to its default configuration. After replacing the battery, reconfigure the system through BIOS Setup Utility.



To replace the component, reverse the removal procedure.

For more information about battery replacement or proper disposal, contact an authorized reseller or an authorized service provider.

---

# Regulatory compliance notices

## Regulatory compliance identification numbers

For the purpose of regulatory compliance certifications and identification, this product has been assigned a unique regulatory model number. The regulatory model number can be found on the product nameplate label, along with all required approval markings and information. When requesting compliance information for this product, always refer to this regulatory model number. The regulatory model number is not the marketing name or model number of the product.

## Federal Communications Commission notice

Part 15 of the Federal Communications Commission (FCC) Rules and Regulations has established Radio Frequency (RF) emission limits to provide an interference-free radio frequency spectrum. Many electronic devices, including computers, generate RF energy incidental to their intended function and are, therefore, covered by these rules. These rules place computers and related peripheral devices into two classes, A and B, depending upon their intended installation. Class A devices are those that may reasonably be expected to be installed in a business or commercial environment. Class B devices are those that may reasonably be expected to be installed in a residential environment (for example, personal computers). The FCC requires devices in both classes to bear a label indicating the interference potential of the device as well as additional operating instructions for the user.

## FCC rating label

The FCC rating label on the device shows the classification (A or B) of the equipment. Class B devices have an FCC logo or ID on the label. Class A devices do not have an FCC logo or ID on the label. After you determine the class of the device, refer to the corresponding statement.

## FCC Notice, Class A Equipment

This equipment has been tested and found to comply with the limits for a Class A digital device, pursuant to Part 15 of the FCC Rules. These limits are designed to provide reasonable protection against harmful interference when the equipment is operated in a commercial environment. This equipment generates, uses, and can radiate radio frequency energy and, if not installed and used in accordance with the instructions, may cause harmful interference to radio communications. Operation of this equipment in a residential area is likely to cause harmful interference, in which case the user will be required to correct the interference at personal expense.

## FCC Notice, Class B Equipment

This equipment has been tested and found to comply with the limits for a Class B digital device, pursuant to Part 15 of the FCC Rules. These limits are designed to provide reasonable protection against harmful interference in a residential installation. This equipment generates, uses, and can radiate radio frequency energy and, if not installed and used in accordance with the instructions, may cause harmful interference to

radio communications. However, there is no guarantee that interference will not occur in a particular installation. If this equipment does cause harmful interference to radio or television reception, which can be determined by turning the equipment off and on, the user is encouraged to try to correct the interference by one or more of the following measures:

- Reorient or relocate the receiving antenna.
- Increase the separation between the equipment and receiver.
- Connect the equipment into an outlet on a circuit that is different from that to which the receiver is connected.
- Consult the dealer or an experienced radio or television technician for help.

## Declaration of conformity for products marked with the FCC logo, United States only

This device complies with Part 15 of the FCC Rules. Operation is subject to the following two conditions: (1) this device may not cause harmful interference, and (2) this device must accept any interference received, including interference that may cause undesired operation.

For questions regarding this product, contact us by mail or telephone:

- Hewlett-Packard Company  
P. O. Box 692000, Mail Stop 530113  
Houston, Texas 77269-2000
- 1-800-HP-INVENT (1-800-474-6836). (For continuous quality improvement, calls may be recorded or monitored.)

For questions regarding this FCC declaration, contact us by mail or telephone:

- Hewlett-Packard Company  
P. O. Box 692000, Mail Stop 510101  
Houston, Texas 77269-2000
- 1-281-514-3333

To identify this product, refer to the part, series, or model number found on the product.

## Modifications

The FCC requires the user to be notified that any changes or modifications made to this device that are not expressly approved by Hewlett-Packard Company may void the user's authority to operate the equipment.

## Cables

Connections to this device must be made with shielded cables with metallic RFI/EMI connector hoods in order to maintain compliance with FCC Rules and Regulations.

## Canadian notice (Avis Canadien)

### **Class A equipment**

This Class A digital apparatus meets all requirements of the Canadian Interference-Causing Equipment Regulations.

Cet appareil numérique de la classe A respecte toutes les exigences du Règlement sur le matériel brouilleur du Canada.

### **Class B equipment**

This Class B digital apparatus meets all requirements of the Canadian Interference-Causing Equipment Regulations.

Cet appareil numérique de la classe B respecte toutes les exigences du Règlement sur le matériel brouilleur du Canada.

## European Union regulatory notice

Products bearing the CE marking comply with the following EU Directives:

- Low Voltage Directive 2006/95/EC
- EMC Directive 2004/108/EC
- Ecodesign Directive 2009/125/EC, where applicable
- RoHS Directive 2011/65/EU

CE compliance of this product is valid if powered with the correct CE-marked AC adapter provided by HP.

Compliance with these directives implies conformity to applicable harmonized European standards (European Norms) that are listed in the EU Declaration of Conformity issued by HP for this product or product family and available (in English only) either within the product documentation or at the following HP website (<http://www.hp.eu/certificates>) (type the product number in the search field).

Compliance is indicated by the CE marking as shown below. Where applicable for telecommunications products, a 4-digit notified body number may follow it as a suffix.



Please refer to the regulatory label provided on the product.

The point of contact for regulatory matters is Hewlett-Packard GmbH, Dept./MS: HQ-TRE, Herrenberger Strasse 140, 71034 Boeblingen, GERMANY.

## Disposal of waste equipment by users in private households in the European Union



This symbol on the product or on its packaging indicates that this product must not be disposed of with your other household waste. Instead, it is your responsibility to dispose of your waste equipment by handing it over to a designated collection point for the recycling of waste electrical and electronic equipment. The separate collection and recycling of your waste equipment at the time of disposal will help to conserve natural resources and ensure that it is recycled in a manner that protects human health and the environment. For more information about where you can drop off your waste equipment for recycling, please contact your local city office, your household waste disposal service or the shop where you purchased the product.

## Japanese notice

ご使用になっている装置に VCCI マークが付いていましたら、次の説明文をお読み下さい。

この装置は、クラス B 情報技術装置です。この装置は、家庭環境で使用することを目的としていますが、この装置がラジオやテレビジョン受信機に近接して使用されると、受信障害を引き起こすことがあります。取扱説明書に従って正しい取り扱いをして下さい。

VCCI-B

VCCI マークが付いていない場合には、次の点にご注意下さい。

この装置は、クラス A 情報技術装置です。この装置を家庭環境で使用すると電波妨害を引き起こすことがあります。この場合には使用者は適切な対策を講ずるよう要求されることがあります。

VCCI-A

## BSMI notice

警告使用者:

這是甲類的資訊產品，在居住的環境中使用時，可能會造成射頻干擾，在這種情況下，使用者會被要求採取某些適當的對策。

## Korean notice

### Class A equipment

A급 기기 (업무용 방송통신기기)	이 기기는 업무용(A급)으로 전자파적합등록을 한 기기이오니 판매자 또는 사용자는 이 점을 주의하시기 바라며, 가정 외의 지역에서 사용하는 것을 목적으로 합니다.
-----------------------	---

### Class B equipment

B급 기기 (가정용 방송통신기기)	이 기기는 가정용(B급)으로 전자파적합등록을 한 기기로서 주로 가정에서 사용하는 것을 목적으로 하며, 모든 지역에서 사용할 수 있습니다.
-----------------------	--

# Chinese notice

## Class A equipment

### 声明

此为 A 级产品，在生活环境中，该产品可能会造成无线电干扰。在这种情况下，可能需要用户对其干扰采取可行的措施。

## Laser compliance

This product may be provided with an optical storage device (that is, CD or DVD drive) and/or fiber optic transceiver. Each of these devices contains a laser that is classified as a Class 1 Laser Product in accordance with US FDA regulations and the IEC 60825-1. The product does not emit hazardous laser radiation.

Each laser product complies with 21 CFR 1040.10 and 1040.11 except for deviations pursuant to Laser Notice No. 50, dated June 24, 2007; and with IEC 60825-1:2007.



**WARNING:** Use of controls or adjustments or performance of procedures other than those specified herein or in the laser product's installation guide may result in hazardous radiation exposure. To reduce the risk of exposure to hazardous radiation:

- Do not try to open the module enclosure. There are no user-serviceable components inside.
- Do not operate controls, make adjustments, or perform procedures to the laser device other than those specified herein.
- Allow only HP Authorized Service technicians to repair the unit.

The Center for Devices and Radiological Health (CDRH) of the U.S. Food and Drug Administration implemented regulations for laser products on August 2, 1976. These regulations apply to laser products manufactured from August 1, 1976. Compliance is mandatory for products marketed in the United States.

## Battery replacement notice



**WARNING:** The computer contains an internal lithium manganese dioxide, a vanadium pentoxide, or an alkaline battery pack. A risk of fire and burns exists if the battery pack is not properly handled. To reduce the risk of personal injury:

- Do not attempt to recharge the battery.
- Do not expose the battery to temperatures higher than 60°C (140°F).
- Do not disassemble, crush, puncture, short external contacts, or dispose of in fire or water.



Batteries, battery packs, and accumulators should not be disposed of together with the general household waste. To forward them to recycling or proper disposal, use the public collection system or return them to HP, an authorized HP Partner, or their agents.

For more information about battery replacement or proper disposal, contact an authorized reseller or an authorized service provider.

## Taiwan battery recycling notice

The Taiwan EPA requires dry battery manufacturing or importing firms in accordance with Article 15 of the Waste Disposal Act to indicate the recovery marks on the batteries used in sales, giveaway or promotion. Contact a qualified Taiwanese recycler for proper battery disposal.



## Power cord statement for Japan

製品には、同梱された電源コードをお使い下さい。  
同梱された電源コードは、他の製品では使用出来ません。

## Acoustics statement for Germany (Geräuschemission)

Schalldruckpegel  $L_{pA} < 70$  dB(A)

Zuschauerpositionen (bystander positions), Normaler Betrieb (normal operation)

Nach ISO 7779:1999 (Typprüfung)

---

# Electrostatic discharge

## Preventing electrostatic discharge

To prevent damaging the system, be aware of the precautions you need to follow when setting up the system or handling parts. A discharge of static electricity from a finger or other conductor may damage system boards or other static-sensitive devices. This type of damage may reduce the life expectancy of the device.

To prevent electrostatic damage:

- Avoid hand contact by transporting and storing products in static-safe containers.
- Keep electrostatic-sensitive parts in their containers until they arrive at static-free workstations.
- Place parts on a grounded surface before removing them from their containers.
- Avoid touching pins, leads, or circuitry.
- Always be properly grounded when touching a static-sensitive component or assembly.

## Grounding methods to prevent electrostatic discharge

Several methods are used for grounding. Use one or more of the following methods when handling or installing electrostatic-sensitive parts:

- Use a wrist strap connected by a ground cord to a grounded workstation or computer chassis. Wrist straps are flexible straps with a minimum of 1 megohm  $\pm 10$  percent resistance in the ground cords. To provide proper ground, wear the strap snug against the skin.
- Use heel straps, toe straps, or boot straps at standing workstations. Wear the straps on both feet when standing on conductive floors or dissipating floor mats.
- Use conductive field service tools.
- Use a portable field service kit with a folding static-dissipating work mat.

If you do not have any of the suggested equipment for proper grounding, have an authorized reseller install the part.

For more information on static electricity or assistance with product installation, contact an authorized reseller.



---

# Support and other resources

## HP contact information

For United States and worldwide contact information, see the Contact HP website (<http://www.hp.com/go/assistance>).

In the United States:

- To contact HP by phone, call 1-800-334-5144. For continuous quality improvement, calls may be recorded or monitored.
- If you have purchased a Care Pack (service upgrade), see the Support & Drivers website (<http://www8.hp.com/us/en/support-drivers.html>). If the problem cannot be resolved at the website, call 1-800-633-3600. For more information about Care Packs, see the HP website (<http://pro-aq-sama.houston.hp.com/services/cache/10950-0-0-225-121.html>).

## Customer Self Repair

HP products are designed with many Customer Self Repair (CSR) parts to minimize repair time and allow for greater flexibility in performing defective parts replacement. If during the diagnosis period HP (or HP service providers or service partners) identifies that the repair can be accomplished by the use of a CSR part, HP will ship that part directly to you for replacement. There are two categories of CSR parts:

- **Mandatory**—Parts for which customer self repair is mandatory. If you request HP to replace these parts, you will be charged for the travel and labor costs of this service.
- **Optional**—Parts for which customer self repair is optional. These parts are also designed for customer self repair. If, however, you require that HP replace them for you, there may or may not be additional charges, depending on the type of warranty service designated for your product.

**NOTE:** Some HP parts are not designed for customer self repair. In order to satisfy the customer warranty, HP requires that an authorized service provider replace the part. These parts are identified as "No" in the Illustrated Parts Catalog.

Based on availability and where geography permits, CSR parts will be shipped for next business day delivery. Same day or four-hour delivery may be offered at an additional charge where geography permits. If assistance is required, you can call the HP Technical Support Center and a technician will help you over the telephone. HP specifies in the materials shipped with a replacement CSR part whether a defective part must be returned to HP. In cases where it is required to return the defective part to HP, you must ship the defective part back to HP within a defined period of time, normally five (5) business days. The defective part must be returned with the associated documentation in the provided shipping material. Failure to return the defective part may result in HP billing you for the replacement. With a customer self repair, HP will pay all shipping and part return costs and determine the courier/carrier to be used.

For more information about HP's Customer Self Repair program, contact your local service provider. For the North American program, refer to the HP website (<http://www.hp.com/go/selfrepair>).

## Réparation par le client (CSR)

Les produits HP comportent de nombreuses pièces CSR (Customer Self Repair = réparation par le client) afin de minimiser les délais de réparation et faciliter le remplacement des pièces défectueuses. Si pendant la période de diagnostic, HP (ou ses partenaires ou mainteneurs agréés) détermine que la réparation peut être effectuée à l'aide d'une pièce CSR, HP vous l'envoie directement. Il existe deux catégories de pièces CSR:

**Obligatoire** - Pièces pour lesquelles la réparation par le client est obligatoire. Si vous demandez à HP de remplacer ces pièces, les coûts de déplacement et main d'œuvre du service vous seront facturés.

**Facultatif** - Pièces pour lesquelles la réparation par le client est facultative. Ces pièces sont également conçues pour permettre au client d'effectuer lui-même la réparation. Toutefois, si vous demandez à HP de remplacer ces pièces, l'intervention peut ou non vous être facturée, selon le type de garantie applicable à votre produit.

**REMARQUE:** Certaines pièces HP ne sont pas conçues pour permettre au client d'effectuer lui-même la réparation. Pour que la garantie puisse s'appliquer, HP exige que le remplacement de la pièce soit effectué par un Mainteneur Agréé. Ces pièces sont identifiées par la mention "Non" dans le Catalogue illustré.

Les pièces CSR sont livrées le jour ouvré suivant, dans la limite des stocks disponibles et selon votre situation géographique. Si votre situation géographique le permet et que vous demandez une livraison le jour même ou dans les 4 heures, celle-ci vous sera facturée. Pour bénéficier d'une assistance téléphonique, appelez le Centre d'assistance technique HP. Dans les documents envoyés avec la pièce de rechange CSR, HP précise s'il est nécessaire de lui retourner la pièce défectueuse. Si c'est le cas, vous devez le faire dans le délai indiqué, généralement cinq (5) jours ouvrés. La pièce et sa documentation doivent être retournées dans l'emballage fourni. Si vous ne retournez pas la pièce défectueuse, HP se réserve le droit de vous facturer les coûts de remplacement. Dans le cas d'une pièce CSR, HP supporte l'ensemble des frais d'expédition et de retour, et détermine la société de courses ou le transporteur à utiliser.

Pour plus d'informations sur le programme CSR de HP, contactez votre Mainteneur Agréé local. Pour plus d'informations sur ce programme en Amérique du Nord, consultez le site Web HP (<http://www.hp.com/go/selfrepair>).

## Riparazione da parte del cliente

Per abbreviare i tempi di riparazione e garantire una maggiore flessibilità nella sostituzione di parti difettose, i prodotti HP sono realizzati con numerosi componenti che possono essere riparati direttamente dal cliente (CSR, Customer Self Repair). Se in fase di diagnostica HP (o un centro di servizi o di assistenza HP) identifica il guasto come riparabile mediante un ricambio CSR, HP lo spedisce direttamente al cliente per la sostituzione. Vi sono due categorie di parti CSR:

**Obbligatorie** – Parti che devono essere necessariamente riparate dal cliente. Se il cliente ne affida la riparazione ad HP, deve sostenere le spese di spedizione e di manodopera per il servizio.

**Opzionali** – Parti la cui riparazione da parte del cliente è facoltativa. Si tratta comunque di componenti progettati per questo scopo. Se tuttavia il cliente ne richiede la sostituzione ad HP, potrebbe dover sostenere spese aggiuntive a seconda del tipo di garanzia previsto per il prodotto.

**NOTA:** alcuni componenti HP non sono progettati per la riparazione da parte del cliente. Per rispettare la garanzia, HP richiede che queste parti siano sostituite da un centro di assistenza autorizzato. Tali parti sono identificate da un "No" nel Catalogo illustrato dei componenti.

In base alla disponibilità e alla località geografica, le parti CSR vengono spedite con consegna entro il giorno lavorativo seguente. La consegna nel giorno stesso o entro quattro ore è offerta con un supplemento

di costo solo in alcune zone. In caso di necessità si può richiedere l'assistenza telefonica di un addetto del centro di supporto tecnico HP. Nel materiale fornito con una parte di ricambio CSR, HP specifica se il cliente deve restituire dei componenti. Qualora sia richiesta la resa ad HP del componente difettoso, lo si deve spedire ad HP entro un determinato periodo di tempo, generalmente cinque (5) giorni lavorativi. Il componente difettoso deve essere restituito con la documentazione associata nell'imballo di spedizione fornito. La mancata restituzione del componente può comportare la fatturazione del ricambio da parte di HP. Nel caso di riparazione da parte del cliente, HP sostiene tutte le spese di spedizione e resa e sceglie il corriere/vettore da utilizzare.

Per ulteriori informazioni sul programma CSR di HP contattare il centro di assistenza di zona. Per il programma in Nord America fare riferimento al sito Web HP (<http://www.hp.com/go/selfrepair>).

## Customer Self Repair

HP Produkte enthalten viele CSR-Teile (Customer Self Repair), um Reparaturzeiten zu minimieren und höhere Flexibilität beim Austausch defekter Bauteile zu ermöglichen. Wenn HP (oder ein HP Servicepartner) bei der Diagnose feststellt, dass das Produkt mithilfe eines CSR-Teils repariert werden kann, sendet Ihnen HP dieses Bauteil zum Austausch direkt zu. CSR-Teile werden in zwei Kategorien unterteilt:

**Zwingend** – Teile, für die das Customer Self Repair-Verfahren zwingend vorgegeben ist. Wenn Sie den Austausch dieser Teile von HP vornehmen lassen, werden Ihnen die Anfahrt- und Arbeitskosten für diesen Service berechnet.

**Optional** – Teile, für die das Customer Self Repair-Verfahren optional ist. Diese Teile sind auch für Customer Self Repair ausgelegt. Wenn Sie jedoch den Austausch dieser Teile von HP vornehmen lassen möchten, können bei diesem Service je nach den für Ihr Produkt vorgesehenen Garantiebedingungen zusätzliche Kosten anfallen.

**HINWEIS:** Einige Teile sind nicht für Customer Self Repair ausgelegt. Um den Garantieanspruch des Kunden zu erfüllen, muss das Teil von einem HP Servicepartner ersetzt werden. Im illustrierten Teilekatalog sind diese Teile mit „No“ bzw. „Nein“ gekennzeichnet.

CSR-Teile werden abhängig von der Verfügbarkeit und vom Lieferziel am folgenden Geschäftstag geliefert. Für bestimmte Standorte ist eine Lieferung am selben Tag oder innerhalb von vier Stunden gegen einen Aufpreis verfügbar. Wenn Sie Hilfe benötigen, können Sie das HP technische Support Center anrufen und sich von einem Mitarbeiter per Telefon helfen lassen. Den Materialien, die mit einem CSR-Ersatzteil geliefert werden, können Sie entnehmen, ob das defekte Teil an HP zurückgeschickt werden muss. Wenn es erforderlich ist, das defekte Teil an HP zurückzuschicken, müssen Sie dies innerhalb eines vorgegebenen Zeitraums tun, in der Regel innerhalb von fünf (5) Geschäftstagen. Das defekte Teil muss mit der zugehörigen Dokumentation in der Verpackung zurückgeschickt werden, die im Lieferumfang enthalten ist. Wenn Sie das defekte Teil nicht zurückschicken, kann HP Ihnen das Ersatzteil in Rechnung stellen. Im Falle von Customer Self Repair kommt HP für alle Kosten für die Lieferung und Rücksendung auf und bestimmt den Kurier-/Frachtdienst.

Weitere Informationen über das HP Customer Self Repair Programm erhalten Sie von Ihrem Servicepartner vor Ort. Informationen über das CSR-Programm in Nordamerika finden Sie auf der HP Website unter (<http://www.hp.com/go/selfrepair>).

## Reparaciones del propio cliente

Los productos de HP incluyen muchos componentes que el propio usuario puede reemplazar (*Customer Self Repair*, CSR) para minimizar el tiempo de reparación y ofrecer una mayor flexibilidad a la hora de realizar sustituciones de componentes defectuosos. Si, durante la fase de diagnóstico, HP (o los proveedores o socios

de servicio de HP) identifica que una reparación puede llevarse a cabo mediante el uso de un componente CSR, HP le enviará dicho componente directamente para que realice su sustitución. Los componentes CSR se clasifican en dos categorías:

- **Obligatorio:** componentes para los que la reparación por parte del usuario es obligatoria. Si solicita a HP que realice la sustitución de estos componentes, tendrá que hacerse cargo de los gastos de desplazamiento y de mano de obra de dicho servicio.
- **Opcional:** componentes para los que la reparación por parte del usuario es opcional. Estos componentes también están diseñados para que puedan ser reparados por el usuario. Sin embargo, si precisa que HP realice su sustitución, puede o no conllevar costes adicionales, dependiendo del tipo de servicio de garantía correspondiente al producto.

**NOTA:** Algunos componentes no están diseñados para que puedan ser reparados por el usuario. Para que el usuario haga valer su garantía, HP pone como condición que un proveedor de servicios autorizado realice la sustitución de estos componentes. Dichos componentes se identifican con la palabra "No" en el catálogo ilustrado de componentes.

Según la disponibilidad y la situación geográfica, los componentes CSR se enviarán para que lleguen a su destino al siguiente día laborable. Si la situación geográfica lo permite, se puede solicitar la entrega en el mismo día o en cuatro horas con un coste adicional. Si precisa asistencia técnica, puede llamar al Centro de asistencia técnica de HP y recibirá ayuda telefónica por parte de un técnico. Con el envío de materiales para la sustitución de componentes CSR, HP especificará si los componentes defectuosos deberán devolverse a HP. En aquellos casos en los que sea necesario devolver algún componente a HP, deberá hacerlo en el periodo de tiempo especificado, normalmente cinco días laborables. Los componentes defectuosos deberán devolverse con toda la documentación relacionada y con el embalaje de envío. Si no enviara el componente defectuoso requerido, HP podrá cobrarle por el de sustitución. En el caso de todas las sustituciones que lleve a cabo el cliente, HP se hará cargo de todos los gastos de envío y devolución de componentes y escogerá la empresa de transporte que se utilice para dicho servicio.

Para obtener más información acerca del programa de Reparaciones del propio cliente de HP, póngase en contacto con su proveedor de servicios local. Si está interesado en el programa para Norteamérica, visite la página web de HP siguiente (<http://www.hp.com/go/selfrepair>).

## Customer Self Repair

Veel onderdelen in HP producten zijn door de klant zelf te repareren, waardoor de reparatieduur tot een minimum beperkt kan blijven en de flexibiliteit in het vervangen van defecte onderdelen groter is. Deze onderdelen worden CSR-onderdelen (Customer Self Repair) genoemd. Als HP (of een HP Service Partner) bij de diagnose vaststelt dat de reparatie kan worden uitgevoerd met een CSR-onderdeel, verzendt HP dat onderdeel rechtstreeks naar u, zodat u het defecte onderdeel daarmee kunt vervangen. Er zijn twee categorieën CSR-onderdelen:

**Verplicht:** Onderdelen waarvoor reparatie door de klant verplicht is. Als u HP verzoekt deze onderdelen voor u te vervangen, worden u voor deze service reiskosten en arbeidsloon in rekening gebracht.

**Optioneel:** Onderdelen waarvoor reparatie door de klant optioneel is. Ook deze onderdelen zijn ontworpen voor reparatie door de klant. Als u echter HP verzoekt deze onderdelen voor u te vervangen, kunnen daarvoor extra kosten in rekening worden gebracht, afhankelijk van het type garanteservice voor het product.

**OPMERKING:** Sommige HP onderdelen zijn niet ontwikkeld voor reparatie door de klant. In verband met de garantievoorwaarden moet het onderdeel door een geautoriseerde Service Partner worden vervangen. Deze onderdelen worden in de geïllustreerde onderdelencatalogus aangemerkt met "Nee".

Afhankelijk van de leverbaarheid en de locatie worden CSR-onderdelen verzonden voor levering op de eerstvolgende werkdag. Levering op dezelfde dag of binnen vier uur kan tegen meerkosten worden aangeboden, indien dit mogelijk is gezien de locatie. Indien assistentie gewenst is, belt u een HP Service Partner om via de telefoon technische ondersteuning te ontvangen. HP vermeldt in de documentatie bij het vervangende CSR-onderdeel of het defecte onderdeel aan HP moet worden geretourneerd. Als het defecte onderdeel aan HP moet worden teruggezonden, moet u het defecte onderdeel binnen een bepaalde periode, gewoonlijk vijf (5) werkdagen, retourneren aan HP. Het defecte onderdeel moet met de bijbehorende documentatie worden geretourneerd in het meegeleverde verpakkingsmateriaal. Als u het defecte onderdeel niet terugzendt, kan HP u voor het vervangende onderdeel kosten in rekening brengen. Bij reparatie door de klant betaalt HP alle verzendkosten voor het vervangende en geretourneerde onderdeel en kiest HP zelf welke koerier/transportonderneming hiervoor wordt gebruikt.

Neem contact op met een Service Partner voor meer informatie over het Customer Self Repair programma van HP. Informatie over Service Partners vindt u op de HP website (<http://www.hp.com/go/selfrepair>).

## Reparo feito pelo cliente

Os produtos da HP são projetados com muitas peças para reparo feito pelo cliente (CSR) de modo a minimizar o tempo de reparo e permitir maior flexibilidade na substituição de peças com defeito. Se, durante o período de diagnóstico, a HP (ou fornecedores/parceiros de serviço da HP) concluir que o reparo pode ser efetuado pelo uso de uma peça CSR, a peça de reposição será enviada diretamente ao cliente. Existem duas categorias de peças CSR:

Obrigatória – Peças cujo reparo feito pelo cliente é obrigatório. Se desejar que a HP substitua essas peças, serão cobradas as despesas de transporte e mão-de-obra do serviço.

Opcional – Peças cujo reparo feito pelo cliente é opcional. Essas peças também são projetadas para o reparo feito pelo cliente. No entanto, se desejar que a HP as substitua, pode haver ou não a cobrança de taxa adicional, dependendo do tipo de serviço de garantia destinado ao produto.

**OBSERVAÇÃO:** Algumas peças da HP não são projetadas para o reparo feito pelo cliente. A fim de cumprir a garantia do cliente, a HP exige que um técnico autorizado substitua a peça. Essas peças estão identificadas com a marca "No" (Não), no catálogo de peças ilustrado.

Conforme a disponibilidade e o local geográfico, as peças CSR serão enviadas no primeiro dia útil após o pedido. Onde as condições geográficas permitirem, a entrega no mesmo dia ou em quatro horas pode ser feita mediante uma taxa adicional. Se precisar de auxílio, entre em contato com o Centro de suporte técnico da HP para que um técnico o ajude por telefone. A HP especifica nos materiais fornecidos com a peça CSR de reposição se a peça com defeito deve ser devolvida à HP. Nos casos em que isso for necessário, é preciso enviar a peça com defeito à HP dentro do período determinado, normalmente cinco (5) dias úteis. A peça com defeito deve ser enviada com a documentação correspondente no material de transporte fornecido. Caso não o faça, a HP poderá cobrar a reposição. Para as peças de reparo feito pelo cliente, a HP paga todas as despesas de transporte e de devolução da peça e determina a transportadora/serviço postal a ser utilizado.

Para obter mais informações sobre o programa de reparo feito pelo cliente da HP, entre em contato com o fornecedor de serviços local. Para o programa norte-americano, visite o site da HP (<http://www.hp.com/go/selfrepair>).

## カスタマーセルフリペア

修理時間を短縮し、故障部品の交換における高い柔軟性を確保するために、HP製品には多数のCSR部品があります。診断の際に、CSR部品を使用すれば修理ができるとHP（HPまたはHP正規保守代理店）が判断した場合、HPはその部品を直接、お客様に発送し、お客様に交換していただきます。CSR部品には以下の2通りがあります。

- **必須** - カスタマーセルフリペアが必須の部品。当該部品について、もしもお客様がHPIに交換作業を依頼される場合には、その修理サービスに関する交通費および人件費がお客様に請求されます。
- **任意** - カスタマーセルフリペアが任意である部品。この部品もカスタマーセルフリペア用です。当該部品について、もしもお客様がHPIに交換作業を依頼される場合には、お買い上げの製品に適用される保証サービス内容の範囲内においては、別途費用を負担していただくことなく保証サービスを受けることができます。

**注：** HP製品の一部の部品は、カスタマーセルフリペア用ではありません。製品の保証を継続するためには、HPまたはHP正規保守代理店による交換作業が必須となります。部品カタログには、当該部品がカスタマーセルフリペア除外品である旨が記載されています。

部品供給が可能な場合、地域によっては、CSR部品を翌営業日に届くように発送します。また、地域によっては、追加費用を負担いただくことにより同日または4時間以内に届くように発送することも可能な場合があります。サポートが必要なときは、HPの修理受付窓口に電話していただければ、技術者が電話でアドバイスします。交換用のCSR部品または同梱物には、故障部品をHPに返送する必要があるかどうかが表示されています。故障部品をHPに返送する必要がある場合は、指定期限内（通常は5営業日以内）に故障部品をHPに返送してください。故障部品を返送する場合は、届いた時の梱包箱に関連書類とともにに入れてください。故障部品を返送しない場合、HPから部品費用が請求されます。カスタマーセルフリペアの際には、HPIは送料および部品返送費を全額負担し、使用する宅配便会社や運送会社を指定します。

## 客户自行维修

HP 产品提供许多客户自行维修 (CSR) 部件，以尽可能缩短维修时间和在更换缺陷部件方面提供更大的灵活性。如果在诊断期间 HP（或 HP 服务提供商或服务合作伙伴）确定可以通过使用 CSR 部件完成维修，HP 将直接把该部件发送给您进行更换。有两类 CSR 部件：

- **强制性的** — 要求客户必须自行维修的部件。如果您请求 HP 更换这些部件，则必须为该服务支付差旅费和人工费用。
- **可选的** — 客户可以选择是否自行维修的部件。这些部件也是为客户自行维修设计的。不过，如果您要求 HP 为您更换这些部件，则根据您的产品指定的保修服务类型，HP 可能收取或不再收取任何附加费用。

**注：** 某些 HP 部件的设计并未考虑客户自行维修。为了满足客户保修的需要，HP 要求授权服务提供商更换相关部件。这些部件在部件图解目录中标记为“否”。

CSR 部件将在下一个工作日发运（取决于备货情况和允许的地理范围）。在允许的地理范围内，可在当天或四小时内发运，但要收取额外费用。如果需要帮助，您可以致电 HP 技术支持中心，将会有技术人员通过电话为您提供帮助。HP 会在随更换的 CSR 部件发运的材料中指明是否必须将有缺陷的部件返还给 HP。如果要求您将有缺陷的部件返还给 HP，那么您必须在指定期限内（通常是五 (5) 个工作日）将缺陷部件发给 HP。有缺陷的部件必须随所提供的发运材料中的相关文件一起返还。如果未能送还有缺陷的部件，HP 可能会要求您支付更换费用。客户自行维修时，HP 将承担所有相关运输和部件返回费用，并指定快递员/承运商。

有关 HP 客户自行维修计划的详细信息，请与您当地的服务提供商联系。有关北美地区的计划，请访问 HP 网站 (<http://www.hp.com/go/selfrepair>)。

## 客戶自行維修

HP 產品設計了許多「客戶自行維修」(CSR) 的零件以減少維修時間，並且使得更換瑕疵零件時能有更大的彈性。如果在診斷期間 HP (或 HP 服務供應商或維修夥伴) 辨認出此項維修工作可以藉由使用 CSR 零件來完成，則 HP 將直接寄送該零件給您作更換。CSR 零件分為兩種類別：

- **強制的** — 客戶自行維修所使用的零件是強制性的。如果您要求 HP 更換這些零件，HP 將會向您收取此服務所需的外出費用與勞動成本。
- **選購的** — 客戶自行維修所使用的零件是選購的。這些零件也設計用於客戶自行維修之用。不過，如果您要求 HP 為您更換，則可能需要也可能不需要負擔額外的費用，端視針對此產品指定的保固服務類型而定。

**備註：**某些 HP 零件沒有消費者可自行維修的設計。為符合客戶保固，HP 需要授權的服務供應商更換零件。這些零件在圖示的零件目錄中，被標示為「否」。

基於材料取得及環境允許的情況下，CSR 零件將於下一個工作日以快遞寄送。在環境的允許下當天或四小時內送達，則可能需要額外的費用。若您需要協助，可致電「HP 技術支援中心」，會有一位技術人員透過電話來協助您。不論損壞的零件是否必須退回，HP 皆會在與 CSR 替換零件一起運送的材料中註明。若要將損壞的零件退回 HP，您必須在指定的一段時間內（通常為五 (5) 個工作天），將損壞的零件寄回 HP。損壞的零件必須與寄送資料中隨附的相關技術文件一併退還。如果無法退還損壞的零件，HP 可能要向您收取替換費用。針對客戶自行維修情形，HP 將負責所有運費及零件退還費用並指定使用何家快遞/貨運公司。

如需 HP 的「客戶自行維修」方案詳細資訊，請連絡您當地的服務供應商。至於北美方案，請參閱 HP 網站 (<http://www.hp.com/go/selfrepair>)。

## 고객 셀프 수리

HP 제품은 수리 시간을 최소화하고 결함이 있는 부품 교체 시 더욱 융통성을 발휘할 수 있도록 하기 위해 고객 셀프 수리(CSR) 부품을 다량 사용하여 설계되었습니다. 진단 기간 동안 HP(또는 HP 서비스 공급업체 또는 서비스 협력업체)에서 CSR 부품을 사용하여 수리가 가능하다고 판단되면 HP는 해당 부품을 바로 사용자에게 보내어 사용자가 교체할 수 있도록 합니다. CSR 부품에는 두 가지 종류가 있습니다.

- **고객 셀프 수리가 의무 사항인 필수 부품.** 사용자가 HP에 이 부품의 교체를 요청할 경우 이 서비스에 대한 출장비 및 작업비가 청구됩니다.
- **고객 셀프 수리가 선택 사항인 부품.** 이 부품들도 고객 셀프 수리가 가능하도록 설계되었습니다. 하지만 사용자가 HP에 이 부품의 교체를 요청할 경우 사용자가 구입한 제품에 해당하는 보증 서비스 유형에 따라 추가 비용 없이 교체가 가능할 수 있습니다.

**참고:** 일부 HP 부품은 고객 셀프 수리가 불가능하도록 설계되었습니다. HP는 만족스러운 고객 보증을 위해 공인 서비스 제공업체를 통해 부품을 교체하도록 하고 있습니다. 이러한 부품들은 Illustrated Parts Catalog에 "No"라고 표시되어 있습니다.

CSR 부품은 재고 상태와 지리적 조건이 허용하는 경우 다음 영업일 납품이 가능하도록 배송이 이루어집니다. 지리적 조건이 허용하는 경우 추가 비용이 청구되는 조건으로 당일 또는 4시간 배송이 가능할 수도 있습니다. 도움이 필요하시면 HP 기술 지원 센터로 전화하십시오. 전문 기술자가 전화로 도움을 줄 것입니다. HP는 결함이 발생한 부품을 HP로 반환해야 하는지 여부를 CSR 교체 부품과 함께 배송된 자료에 지정합니다. 결함이 발생한 부품을 HP로 반환해야 하는 경우에는 지정된 기간 내(통상 영업일 기준 5일)에 HP로 반환해야 합니다. 이 때 결함이 발생한 부품은 제공된 포장 재료에 넣어 관련 설명서와 함께 반환해야 합니다. 결함이 발생한 부품을 반환하지 않는 경우 HP가 교체 부품에 대해 비용을 청구할 수 있습니다. 고객 셀프 수리의 경우, HP는 모든 운송 및 부품 반환 비용을 부담하며 이용할 운송업체 및 택배 서비스를 결정합니다.

HP 고객 셀프 수리 프로그램에 대한 자세한 내용은 가까운 서비스 제공업체에 문의하십시오. 북미 지역의 프로그램에 대해서는 HP 웹 사이트(<http://www.hp.com/go/selfrepair>)를 참조하십시오.

# Before you contact HP

Be sure to have the following information available before you call HP:

- Active Health System log (HP ProLiant Gen8 or later products)  
Download and have available an Active Health System log for 3 days before the failure was detected. For more information, see the *HP iLO 4 User Guide* or *HP Intelligent Provisioning User Guide* on the HP website (<http://www.hp.com/go/ilo/docs>).
- Onboard Administrator SHOW ALL report (for HP BladeSystem products only)  
For more information on obtaining the Onboard Administrator SHOW ALL report, see the HP website (<http://h20000.www2.hp.com/bizsupport/TechSupport/Document.jsp?lang=en&cc=us&objectID=c02843807>).
- Technical support registration number (if applicable)
- Product serial number
- Product model name and number
- Product identification number
- Applicable error messages
- Add-on boards or hardware
- Third-party hardware or software
- Operating system type and revision level



---

# Acronyms and abbreviations

## AMP

Advanced Memory Protection

## BMC

baseboard management controller

## CS

cable select

## DAT

digital audio tape

## IDE

integrated device electronics

## IEC

International Electrotechnical Commission

## IPMI

Intelligent Platform Management Interface

## IRQ

interrupt request

## KVM

keyboard, video, and mouse

## NVRAM

nonvolatile memory

## ODD

Optical Disk Drive

## ORCA

Option ROM Configuration for Arrays

## PCI Express

Peripheral Component Interconnect Express

## PCI-X

peripheral component interconnect extended

## PDU

power distribution unit

## POST

Power-On Self Test

## PPM

processor power module

## RBSU

ROM-Based Setup Utility

## SATA

serial ATA

## TMRA

recommended ambient operating temperature

## TPM

Trusted Platform Module

## UDIMM

unregistered dual in-line memory module

## UPS

uninterruptible power system

## USB

universal serial bus

---

# Documentation feedback

HP is committed to providing documentation that meets your needs. To help us improve the documentation, send any errors, suggestions, or comments to Documentation Feedback (<mailto:docsfeedback@hp.com>). Include the document title and part number, version number, or the URL when submitting your feedback.

---

# Index

## A

access panel 6  
acoustics statement for Germany 79  
application software problems 67  
authorized reseller 81  
auto-configuration process 31

## B

backup, restoring 66  
batteries, insufficient warning when low 53  
battery 53, 72, 78  
battery replacement notice 78  
boot options 31  
BSMI notice 77

## C

cables 41, 75  
cables, VGA 63  
Canadian notice 75  
cautions 38  
CD-ROM drive 34, 56  
Chinese notice 78  
class A equipment 74  
class B equipment 74  
color 63  
common problem resolution 41  
configuration procedures 9  
configuring the SATA RAID feature 33  
connection problems 41  
contacting HP 70, 81, 88  
creating a RAID volume 33  
CSR (customer self repair) 81  
customer self repair (CSR) 81

## D

DAT drive error 56, 57  
DAT drive failure 56  
DAT drives 56, 57  
data loss 56  
data recovery 56, 59  
Declaration of Conformity 75

DIMMs 25, 42  
diskette drive 34, 57  
diskette drive problems 57, 58  
drive errors 57, 58  
drive failure, detecting 56  
drive not found 57, 59  
drive problems 56, 57  
drives 42, 58  
drives, installing 11  
DVD-ROM drive 56

## E

electrical grounding requirements 9  
electrostatic discharge 11, 80  
Embedded SATA RAID 33  
embedded SATA RAID, installing with a Virtual Floppy 35  
embedded SATA RAID, installing with USB diskette drive 35  
enabling the SATA RAID feature 33  
energy saver features 63  
environmental requirements 8  
error log 66  
error messages 66  
external device problems 62

## F

fan problems 58  
fans 58  
FCC rating label 74  
Federal Communications Commission (FCC) notice 74, 75  
firmware, updating 41, 68  
firmware, version 41, 57, 69  
flash ROM 68

## G

general diagnosis flowchart 44  
general protection fault 65  
grounding methods 80  
grounding requirements 9

## H

- hard drive LEDs 42
- hard drive problems, diagnosing 58
- hard drive, failure of 58
- hard drives, determining status of 42
- hardware options 11
- hardware options installation 9, 11
- hardware problems 51, 53
- hardware troubleshooting 53, 54, 56, 62
- hot fixes 66
- HP Insight Diagnostics 32
- HP technical support 81, 88
- HP website 81

## I

- identification number 74
- Important Safety Information document 37
- information required 70
- Insight Diagnostics 32
- installation, server options 9, 11
- installing hardware 11
- installing operating system 10, 35
- internal system problems 56

## J

- Japanese notice 77

## K

- keyboard 63
- keyboard problems 63
- Korean notices 77
- KVM 63

## L

- laser compliance 78
- laser devices 78
- LEDs 53
- LEDs, hard drive 42
- LEDs, PPM failure 61
- LEDs, processor failure 61
- LEDs, troubleshooting 37, 42
- LEDS, UPS 53
- Linux 36, 67, 71
- loose connections 41

## M

- management tools 32

- memory 60
- memory count error 60
- memory not recognized 60
- memory overview 24
- memory problems 60
- memory subsystem architecture 24
- Microsoft operating systems 36, 70
- modifications, FCC notice 75
- monitor 63
- mouse 63
- mouse problems 63

## N

- network controller problems 64
- network controllers 64, 65
- network interconnect blades 65

## O

- operating system crash 65
- operating system problems 65
- operating system updates 66
- operating systems 10, 33, 65, 66, 67, 70
- optimum environment 8
- Optional Installation Services 8
- options installation 9, 11
- OS boot problems flowchart 49

## P

- patches 66
- PCI boards 55
- POST problems flowchart 47
- power cord 38, 79
- power distribution unit (PDU) 9
- Power On button 6
- power problems 52, 53
- power requirements 8
- power source 52
- power supplies 52
- powering down 6
- power-on problems flowchart 46
- PPM (processor power module) 61
- PPM failure LEDs 61
- PPM problems 61
- PPM slots 61
- pre-diagnostic steps 37
- preparing the server for diagnosis 40
- problem diagnosis 37
- processor failure LEDs 61
- Processor Power Module (PPM) 61

processor problems 61  
processors 61

## R

rack stability 38  
rack warnings 38  
RAID volume, creating 33  
RBSU (ROM-Based Setup Utility) 31  
RDX drive, install 20  
read/write errors 57, 58  
recovery key 29  
registering the server 10  
regulatory compliance identification numbers 74  
regulatory compliance notices 74, 76  
required hardware 34  
required information 70  
requirements, environmental 8  
requirements, power 8  
requirements, temperature 8  
restoring 66  
ROM, types 68  
ROMPaq utility 69

## S

safety considerations 37  
SATA hard drive 42  
SATA RAID configuration 33  
SATA RAID driver, installing 34  
SATA RAID feature, configuring 33  
SATA RAID feature, enabling 33  
sense error codes 56  
series number 74  
server fault indications flowchart 50  
server features and options 11  
server setup 32  
service notifications 41  
Service Packs 66  
short circuits 62  
site requirements 8  
software errors 67, 68  
software failure 67  
software problems 65  
software troubleshooting 67, 68  
start diagnosis flowchart 43  
static electricity 11  
Subscriber's Choice 33  
support 81  
symbols on equipment 37  
symptom information 39

system board battery 72, 78  
system ROM 68  
system, keeping current 32

## T

Taiwan battery recycling notice 79  
tape cartridge 57  
technical support 81  
telephone numbers 81  
temperature requirements 8  
testing devices 55  
third-party devices 55  
troubleshooting 37  
troubleshooting flowcharts 43  
Trusted Platform Module (TPM) 27, 28, 29, 30, 59

## U

unknown problem 54  
updating drivers 32, 70  
updating firmware 69  
updating the operating system 66  
UPS (uninterruptible power supply) 8, 53  
USB (universal serial bus) 32  
USB CD-ROM drive 34  
USB devices 34  
USB support 32  
utilities 31

## V

ventilation 8  
VGA 63  
video colors 63  
video problems 62, 63

## W

warnings 38  
website, HP 81  
when to reconfigure or reload software 67