



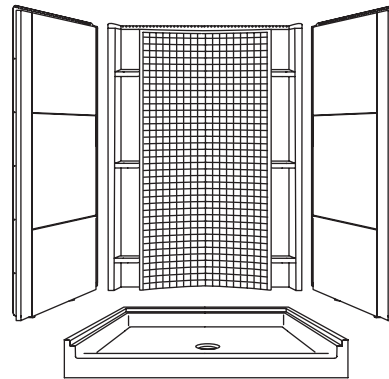
A KOHLER COMPANY

ACCORD™

Features

- Compression molded from Sterling's exclusive solid Vikrell® material
- Modular 4-piece design
- Pivot "snap together" installation
- Caulkless installation
- Convenient shelves provide generous storage
- Durable high gloss finish
- Lightly pebbled bottom surface for sure footing
- 10 year consumer/3 year commercial limited warranty
- 36-1/8" (91.8 cm) x 37-1/4" (94.6 cm) x 77" (195.6 cm) rough-in dimensions include nailing flange
- 36" (91.4 cm) x 36" (91.4 cm) x 75-3/4" (192.6 cm) complete unit finished dimensions

36" (91.4 cm) SHOWER RECEPTOR AND WALL SURROUND 72240100



Codes/Standards Applicable

Specified model meets or exceeds the following:

- ANSI Z124.1.2
- IAPMO/UPC
- CSA B45.0
- CSA B45.5
- CSA International

Colors/Finishes

- 0: White
- Other: Refer to Price Book for additional colors/finishes

Specified Model

Model	Complete Unit Description	Colors/Finishes	
72240100	36" (91.4 cm) shower receptor and wall surround	<input type="checkbox"/> 0	<input type="checkbox"/> Other_____

Model	Wall Component Description	Colors/Finishes	
72242100	36" (91.4 cm) Backwall	<input type="checkbox"/> 0	<input type="checkbox"/> Other_____
72241100	36" (91.4 cm) Receptor	<input type="checkbox"/> 0	<input type="checkbox"/> Other_____
72245100	Endwall set	<input type="checkbox"/> 0	<input type="checkbox"/> Other_____

SterlingPlumbing.com

Visit us online for fixture color choices, detailed product information, color photos, installation instructions, care guides, and warranties. Sterling offers additional lines of plumbing products to complement the Sterling product you've chosen. Sign up for the Sterling e-newsletter to learn more about our latest product innovations. You may also reach us by calling the Sterling Answer Center from within the USA at 1-888-STERLING in addition to consulting with your local dealer.

ACCORD™

Technical Information

Model	door maximum width	door maximum height
72240100	32-5/8" (82.9 cm)	72" (182.9 cm)

Installation Notes

Install this product according to the installation guide.

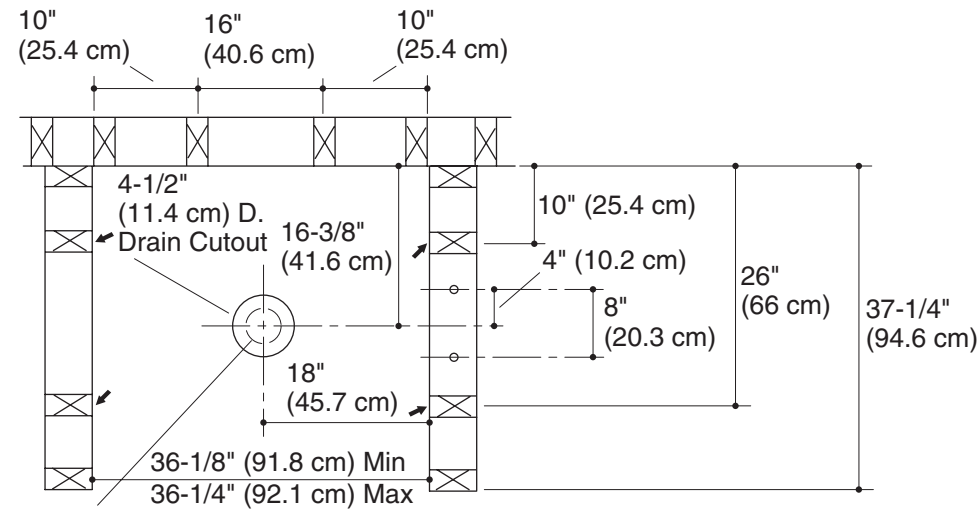
Size the drain cutout to fit the drain assembly that will be used.

End stud positioning is critical.

Double studding is recommended for pivot shower door installations.

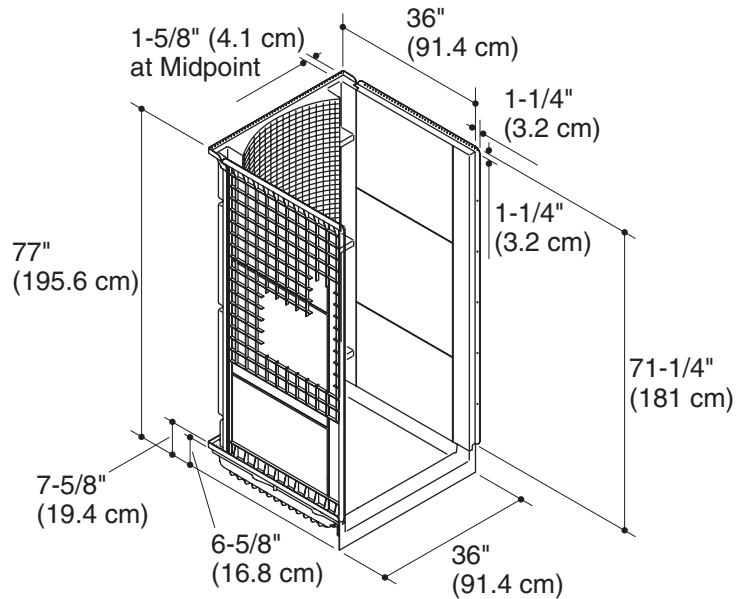
Studs should be positioned roughly as shown for roofing nail installation.

Receptor cannot be installed without the wall surround.



3-5/16" (8.4 cm) OD Drain Hole

Recommended Roofing Nail Locations (4 total)



Product Diagram