

CONFIDENTIAL

**SAMSUNG**

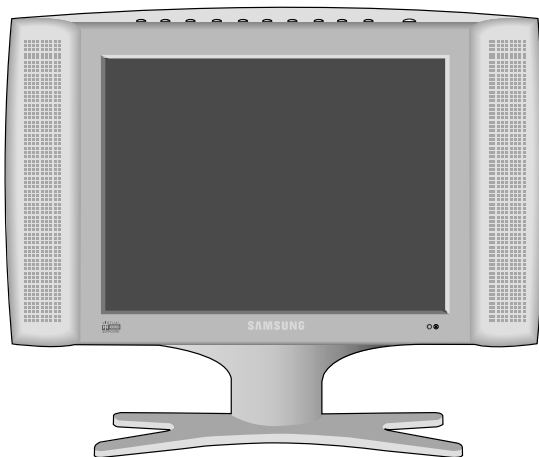
# TFT-LCD MONITOR

Chassis	Model
ES15U*	LTM1555(B)
ES17U*	LTM1755(B)

# *SERVICE* Manual

TFT-LCD MONITOR

CONTENTS



1. Precautions
2. Product Specifications
3. Disassembly & Reassembly
4. Alignment & Adjustments
5. Troubleshooting
6. Exploded View & Parts List
7. Electrical Parts List
8. Block Diagram
9. Wiring Diagram
10. Schematic Diagrams
11. Panel Description



**Samsung Electronics Co.,Ltd.**

416, Maetan-3Dong, Paldal-Gu, Suwon City, Kyungki-Do, Korea.

Printed in Korea

P/N : BN82-00071A-00

<http://www.samsungmonitor.com> (SyncMaster Worldwide)

<http://www.samsung-monitor.com> (SyncMaster USA)

<http://www.sec.co.kr/monitor> (Korea)

# 1 Precautions

Follow these safety, servicing and ESD precautions to prevent damage and to protect against potential hazards such as electrical shock.

## 1-1 Safety Precautions

### 1-1-1 Warnings

1. For continued safety, do not attempt to modify the circuit board.
2. Disconnect the AC power and DC Power Jack before servicing.

### 1-1-2 Servicing the LCD Monitor

1. When servicing the LCD Monitor disconnect the AC line cord from the AC outlet.
2. It is essential that service technicians have an accurate voltage meter available at all times. Check the calibration of this meter periodically.

### 1-1-3 Fire and Shock Hazard

Before returning the monitor to the user, perform the following safety checks:

1. Inspect each lead dress to make certain that the leads are not pinched or that hardware is not lodged between the chassis and other metal parts in the monitor.
2. Inspect all protective devices such as nonmetallic control knobs, insulating materials, cabinet backs, adjustment and compartment covers or shields, isolation resistor-capacitor networks, mechanical insulators, etc.
3. Leakage Current Hot Check (Figure 1-1):  
**WARNING: Do not use an isolation transformer during this test.**

Use a leakage current tester or a metering system that complies with American National Standards Institute (*ANSI C101.1, Leakage Current for Appliances*), and Underwriters Laboratories (*UL Publication UL1410, 59.7*).

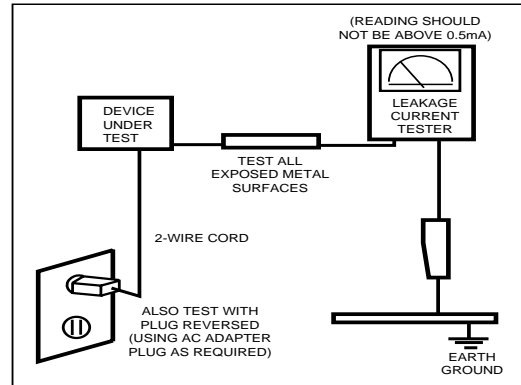



Figure 1-1. Leakage Current Test Circuit

4. With the unit completely reassembled, plug the AC line cord directly into a 120V AC outlet. With the unit's AC switch first in the ON position and then OFF, measure the current between a known earth ground (metal water pipe, conduit, etc.) and all exposed metal parts, including: metal cabinets, screwheads and control shafts. The current measured should not exceed 0.5 milliamp. Reverse the power-plug prongs in the AC outlet and repeat the test.

### 1-1-4 Product Safety Notices

Some electrical and mechanical parts have special safety-related characteristics which are often not evident from visual inspection. The protection they give may not be obtained by replacing them with components rated for higher voltage, wattage, etc. Parts that have special safety characteristics are identified by  on schematics and parts lists. A substitute replacement that does not have the same safety characteristics as the recommended replacement part might create shock, fire and/or other hazards. Product safety is under review continuously and new instructions are issued whenever appropriate.

## 1-2 Servicing Precautions

---

**WARNING:** An electrolytic capacitor installed with the wrong polarity might explode.

**Caution:** Before servicing units covered by this service manual, read and follow the Safety Precautions section of this manual.

**Note:** If unforeseen circumstances create conflict between the following servicing precautions and any of the safety precautions, always follow the safety precautions.

### 1-2-1 General Servicing Precautions

1. Always unplug the unit's AC power cord from the AC power source and disconnect the DC Power Jack before attempting to:
  - (a) remove or reinstall any component or assembly,
  - (b) disconnect PCB plugs or connectors, (c) connect a test component in parallel with an electrolytic capacitor.
2. Some components are raised above the printed circuit board for safety. An insulation tube or tape is sometimes used. The internal wiring is sometimes clamped to prevent contact with thermally hot components. Reinstall all such elements to their original position.
3. After servicing, always check that the screws, components and wiring have been correctly reinstalled. Make sure that the area around the serviced part has not been damaged.
4. Check the insulation between the blades of the AC plug and accessible conductive parts (examples: metal panels, input terminals and earphone jacks).
5. Insulation Checking Procedure: Disconnect the power cord from the AC source and turn the power switch ON. Connect an insulation resistance meter (500 V) to the blades of the AC plug.  
The insulation resistance between each blade of the AC plug and accessible conductive parts (see above) should be greater than 1 megohm.
6. Always connect a test instrument's ground lead to the instrument chassis ground before connecting the positive lead; always remove the instrument's ground lead last.

## 1-3 Electrostatically Sensitive Devices (ESD) Precautions

---

Some semiconductor (solid state) devices can be easily damaged by static electricity. Such components are commonly called Electrostatically Sensitive Devices (ESD). Examples of typical ESD are integrated circuits and some field-effect transistors. The following techniques will reduce the incidence of component damage caused by static electricity.

1. Immediately before handling any semiconductor components or assemblies, drain the electrostatic charge from your body by touching a known earth ground. Alternatively, wear a discharging wrist-strap device. To avoid a shock hazard, be sure to remove the wrist strap before applying power to the monitor.
2. After removing an ESD-equipped assembly, place it on a conductive surface such as aluminum foil to prevent accumulation of an electrostatic charge.
3. Do not use freon-propelled chemicals. These can generate electrical charges sufficient to damage ESDs.
4. Use only a grounded-tip soldering iron to solder or desolder ESDs.
5. Use only an anti-static solder removal device. Some solder removal devices not classified as "anti-static" can generate electrical charges sufficient to damage ESDs.
6. Do not remove a replacement ESD from its protective package until you are ready to install it. Most replacement ESDs are packaged with leads that are electrically shorted together by conductive foam, aluminum foil or other conductive materials.
7. Immediately before removing the protective material from the leads of a replacement ESD, touch the protective material to the chassis or circuit assembly into which the device will be installed.  
**Caution:** Be sure no power is applied to the chassis or circuit and observe all other safety precautions.
8. Minimize body motions when handling unpackaged replacement ESDs. Motions such as brushing clothes together, or lifting your foot from a carpeted floor can generate enough static electricity to damage an ESD.

## 2 Product Specifications

### 2-1 Specifications

Item	Description	
	LTM1555(B)	LTM1755(B)
LCD Panel	TFT-LCD panel, RGB vertical stripe, normaly white, 15-Inch viewable, 0.297 mm pixel pitch	TFT-LCD panel, RGB vertical stripe, normaly white, 17-Inch viewable, 0.264 mm pixel pitch
Scanning Frequency	Horizontal : 30 KHz ~ 69 KHz (Automatic) Vertical : 56 Hz ~ 75 Hz (Automatic)	30 KHz ~ 81 KHz (Automatic) 56 Hz ~ 75 Hz (Automatic)
Display Colors	16.7 Million colors	
Maximum Resolution	Horizontal : 1024 Pixels Vertical : 768 Pixels	1280 Pixels 1024 Pixels
Input Video Signal	Analog 0.7 Vp-p ± 5% positive at 75 Ω, internally terminated	
Input Sync Signal	Type : Seperate H/V automatic synchronization without external switch of sync type Level : TTL level	
Maximum Pixel Clock rate	95 MHz	135 MHz
Active Display Horizontal/Vertical	304.1 mm / 228.1 mm	338.1 mm / 270.1 mm
AC power voltage & Frequency	AC 90 ~ 264 Volts, 60 / 50 Hz ± 3 Hz	
Power Consumption	48 W (Max), (2W Power surge)	58 W (Max), (2W Power surge)
Dimensions Unit (W x D x H) With stand (W x D x H)	18.6 x 12.4 x 2.0 Inches (474 x 317 x 51 mm) 18.6 x 15.6 x 8.0 Inches (474 x 397 x 204 mm)	20.8 x 14.4 x 2.2 Inches (530 x 367 x 57 mm) 20.8 x 17.6 x 8.0 Inches (530 x 447 x 204 mm)
Weight	3.97 Kg (8.75 lbs)	4.95 Kg (10.9 lbs)
Environmental Considerations	Operating Temperature : 50 °F ~ 104 °F (10 °C ~ 40 °C) Humidity : 10 % ~ 80 % Storage Temperature : -13 °F ~ 113 °F (-25 °C ~ 45 °C) Humidity : 5 % ~ 95 %	
TV System	Tuning	Frequency Synthesize
	Color	NTSC
	Sound	BTSC, ECJ, KOREA
Antenna Input	75Ω, Coaxial Cable	
Sound Characteristic	– MAX internal speaker Out : Right => 3W Left => 3W	Right => 5W Left => 5W
	– BASS Control Range : -12dB~ + 12dB – TREBLE Control Range : -12dB~ + 12dB – Headphone Out: RF => 5mW max (400m Vrms) A/V => 10mW max (580 Vrms), Max input sound: -9dBm – Output Frequency (TBD) : RF => 80 Hz ~ 15 KHz A/V => 80 Hz ~ 20 KHz	

## 2-2 Pin Assignments

Pin No. \ Sync Type	Separate H/V	Composite H/V	Sync-on-green
1	Red	Red	Red
2	Green	Green	Green + H/V Sync.
3	Blue	Blue	Blue
4	GND	GND	GND
5	GND (DDC Return)	GND (DDC Return)	GND (DDC Return)
6	GND-Red	GND-Red	GND-Red
7	GND-Green	GND-Green	GND-Green
8	GND-Blue	GND-Blue	GND-Blue
9	No Connection	No Connection	Not Used
10	GND-Sync./Self Test	GND-Sync./Self Test	GND-Sync./Self Test
11	GND	GND	GND
12	DDC Data	DDC Data	DDC Data
13	Horizontal sync.	H/V-Sync.	Not Used
14	Vertical sync.	Not Used	Not Used
15	DDC Clock	DDC Clock	DDC Clock

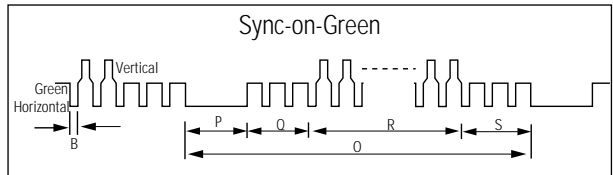
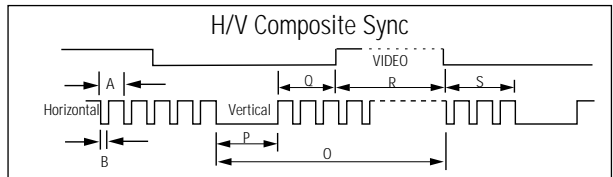
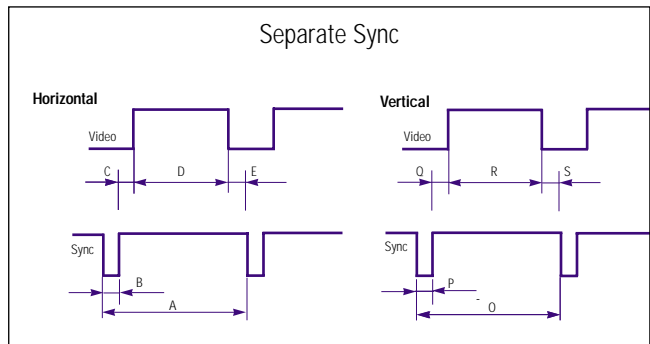
Pin No. \ Sync Type	DTV 15pin connector
1	Red , Y
2	Green , Pb
3	Blue , Pr
4	GND
5	GND
6	GND-Red
7	GND-Green
8	GND-Blue
9	GND
10	No Connection
11	GND
12	No Connection
13	Horizontal sync.
14	Vertical sync.
15	No Connection

## 2-3 Timing Chart

This section of the service manual describes the timing that the computer industry recognizes as standard for computer-generated video signals.

Table 2-1 Timing Chart

Mode Timing	IBM		VESA								
	VGA2/ 70 Hz 720 x 400	VGA3/ 60 Hz 640 x 480	640/75 Hz 640 x 480	640/85 Hz 640 x 480	800/75 Hz 800 x 600	800/85 Hz 800 x 600	1024/60Hz 1024 x 768	1024/75Hz 1024 x 768	1024/85Hz 1024x768	1280/76Hz 1280x1024 (17" Only)	1280/75Hz 1280x1024 (17" Only)
fH (KHz)	31.469	31.469	37.500	43.269	46.875	53.674	48.363	60.023	68.677	81.129	79.976
A $\mu$ sec	31.777	31.778	26.667	23.111	21.333	18.631	20.677	16.660	14.561	16.640	12.504
B $\mu$ sec	3.813	3.813	2.032	1.556	1.616	1.138	2.092	1.219	1.016	6.400	1.067
C $\mu$ sec	1.589	1.589	3.810	2.222	3.232	2.702	2.462	2.235	2.201	2.880	1.837
D $\mu$ sec	26.058	26.058	20.317	17.778	16.162	14.222	15.754	13.003	10.836		9.481
E $\mu$ sec	0.318	0.318	0.508	1.556	0.323	0.569	0.369	0.203	0.508	3.200	0.119
fV (Hz)	70.087	59.940	75.000	85.008	75.000	85.061	60.004	75.029	84.997	76.106	75.025
O msec	14.268	16.683	13.333	11.764	13.333	11.756	16.666	13.328	11.765	10.660	13.329
P msec	0.064	0.064	0.080	0.671	0.064	0.056	0.124	0.050	0.044	0.080	0.038
Q msec	0.858	0.794	0.427	0.578	0.448	0.503	0.600	0.466	0.524	3.200	0.475
R msec	13.155	15.761	12.800	11.093	12.800	11.179	15.880	12.795	11.183		12.804
S msec	0.191	0.064	0.027	0.023	0.021	0.019	0.062	0.017	0.015	0.020	0.013
Clock Freq. (MHz)	28.322	25.175	31.500	49.500	49.500	56.250	75.000	78.750	94.500	135.000	135.000
Polarity H.Sync	Negative	Negative	Negative	Negative	Positive	Positive	Negative	Positive	Positive	Negative	Positive
V.Sync	Positive	Negative	Negative	Negative	Positive	Positive	Negative	Positive	Positive	Negative	Positive
Remark	Separate	Separate	Separate	Separate	Separate	Separate	Separate	Separate	Separate	Com.	Separate



A : Line time total	B : Horizontal sync width	O : Frame time total	P : Vertical sync width
C : Back porch	D : Active time	Q : Back porch	R : Active time
E : Front porch		S : Front porch	

**Memo**



## 3 Disassembly and Reassembly

This section of the service manual describes the disassembly and reassembly procedures for the LTM1555(B)/LTM1755(B) monitor.

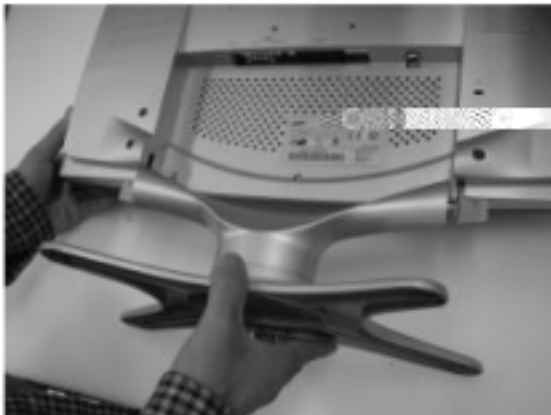
**WARNING:** This monitor contains electrostatically sensitive devices. Use caution when handling these components.

### 3-1 Disassembly

- Cautions:**
1. Disconnect the monitor from the power source before disassembly.
  2. Follow these directions carefully; never use metal instruments to pry apart the cabinet.



1. Remove the 4 screws (Rear Cover + Stand) on the rear cover.



2. Remove the Assy Stand from rear cover.



3. Remove the 3 screws (Rear Cover + Cover Front) on the rear.



4. Lift up the rear cover until it opens completely.

### **3-2 Reassembly**

---

Reassembly procedures are in the reverse order of disassembly procedures.

---

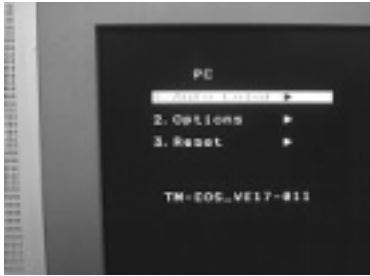
## 4 Alignments and Adjustments

---

### 4-1 General Alignment Instruction

1. Usually, a color TV-VCR needs only slight touch-up adjustment upon installation. Check the basic characteristics such as height, horizontal and vertical sync.
2. Use the specified test equipment or its equivalent.
3. Correct impedance matching is essential.
4. Avoid overload. Excessive signal from a sweep generator might overload the front-end of the TV. When inserting signal markers, do not allow the marker generator to distort test results.
5. Connect the TV only to an AC power source with voltage and frequency as specified on the backcover nameplate.
6. Do not attempt to connect or disconnect any wire while the TV is turned on. Make sure that the power cord is disconnected before replacing any parts.
7. To protect against shock hazard, use an isolation transformer.

## 4-2 Adjustment Instruction



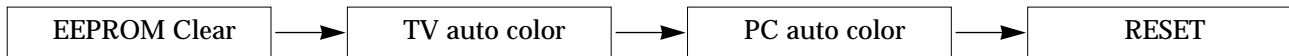
### 4-2-1 Service Mode Screen

- 1. Auto Color
  - PC white balance
  - TV auto color
  
- 2. Options
  - Add AFN : No
  - Bus stop : No
  - EEPROM clear
  
- 3. Reset

### 4-2-2 Service function

1. EEPROM Clear : Initially executed when replacing OTP.
2. TV Auto Color : Used to adjust TV image color.
3. Reset : Used after all adjustments.
4. Other functions shown are not service related.

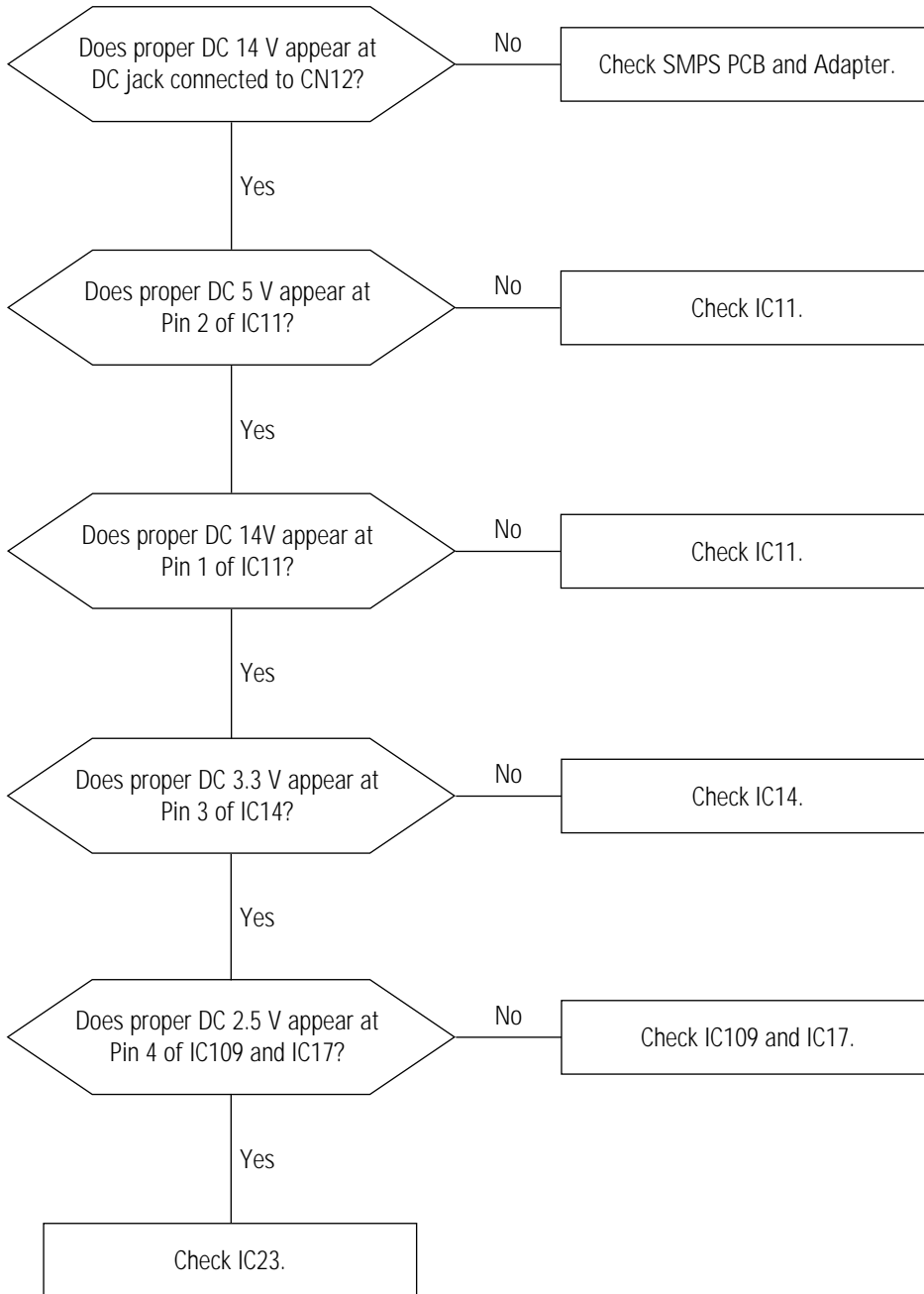
### 4-2-3 Adjustment Sequence for ROM change only



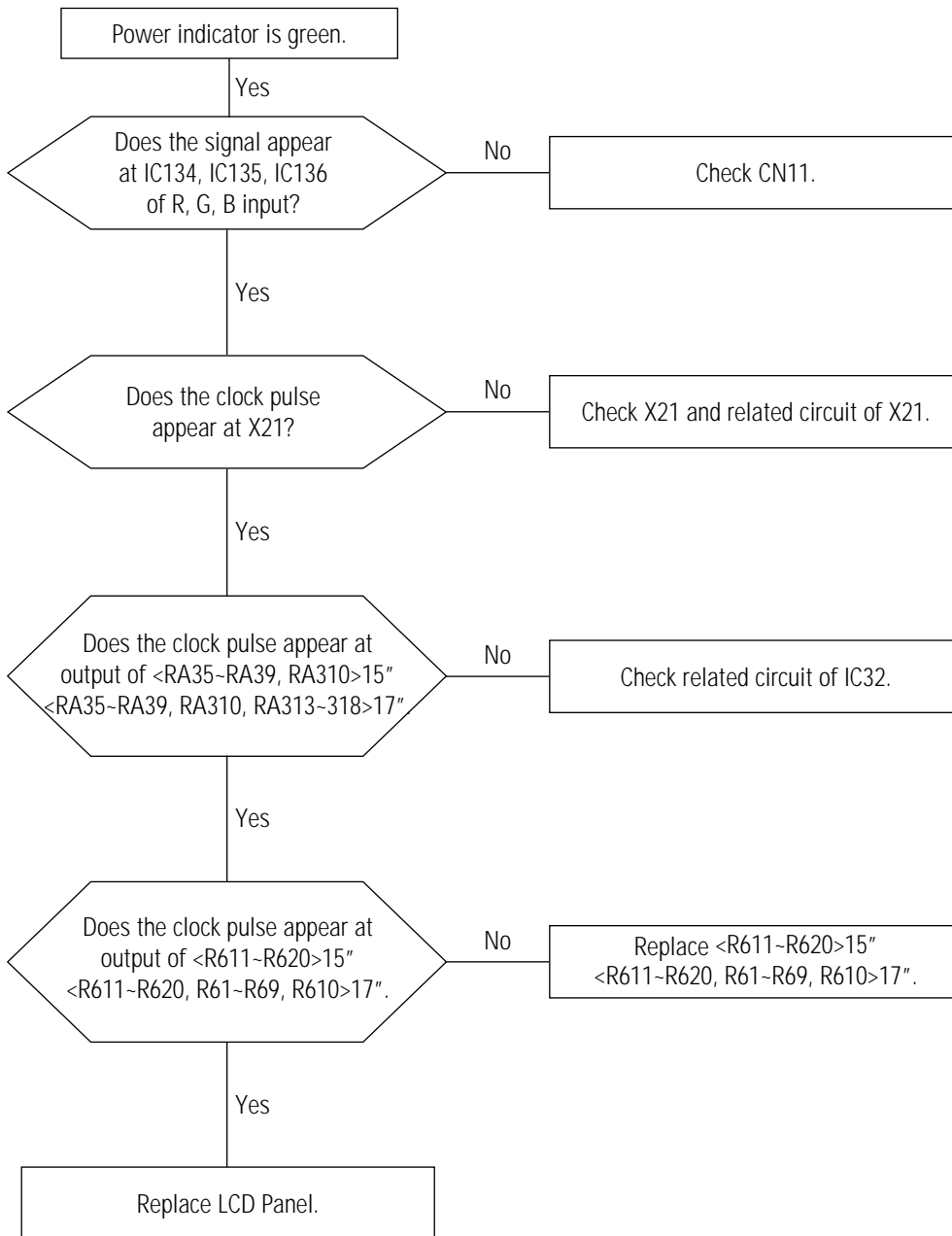
(For ROM change only)

## 5 Troubleshooting

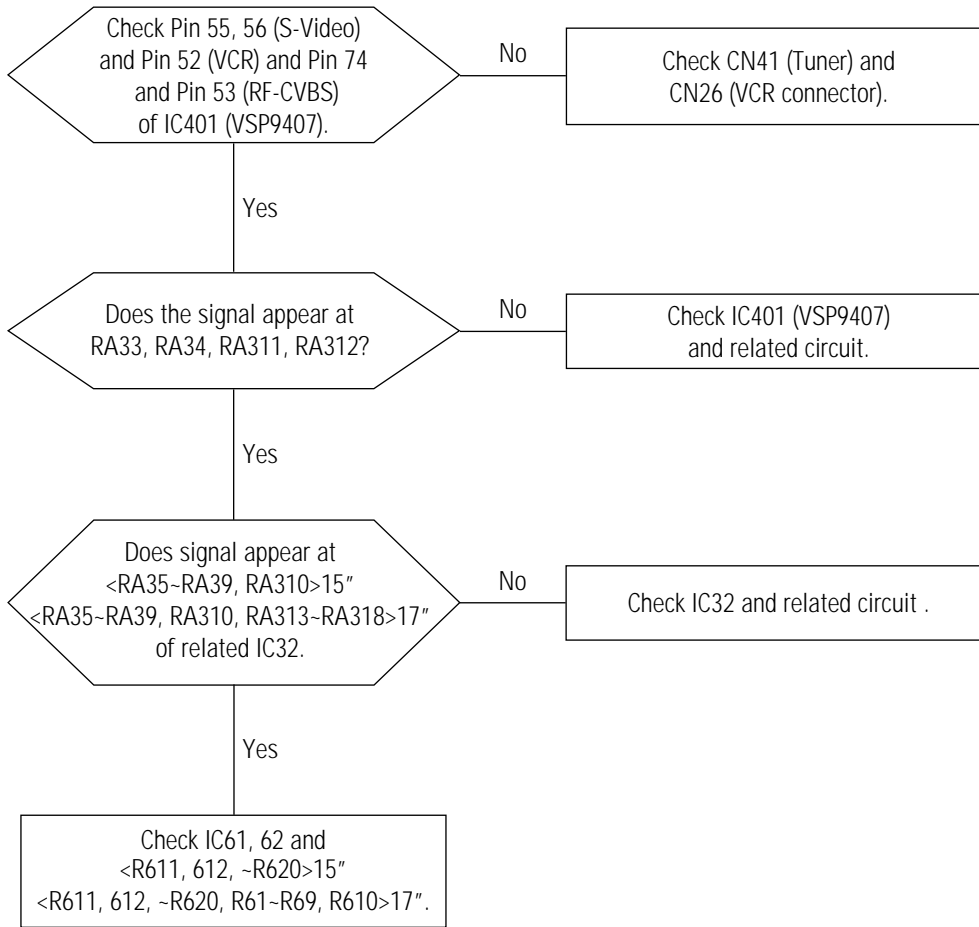
### 5-1 No Power



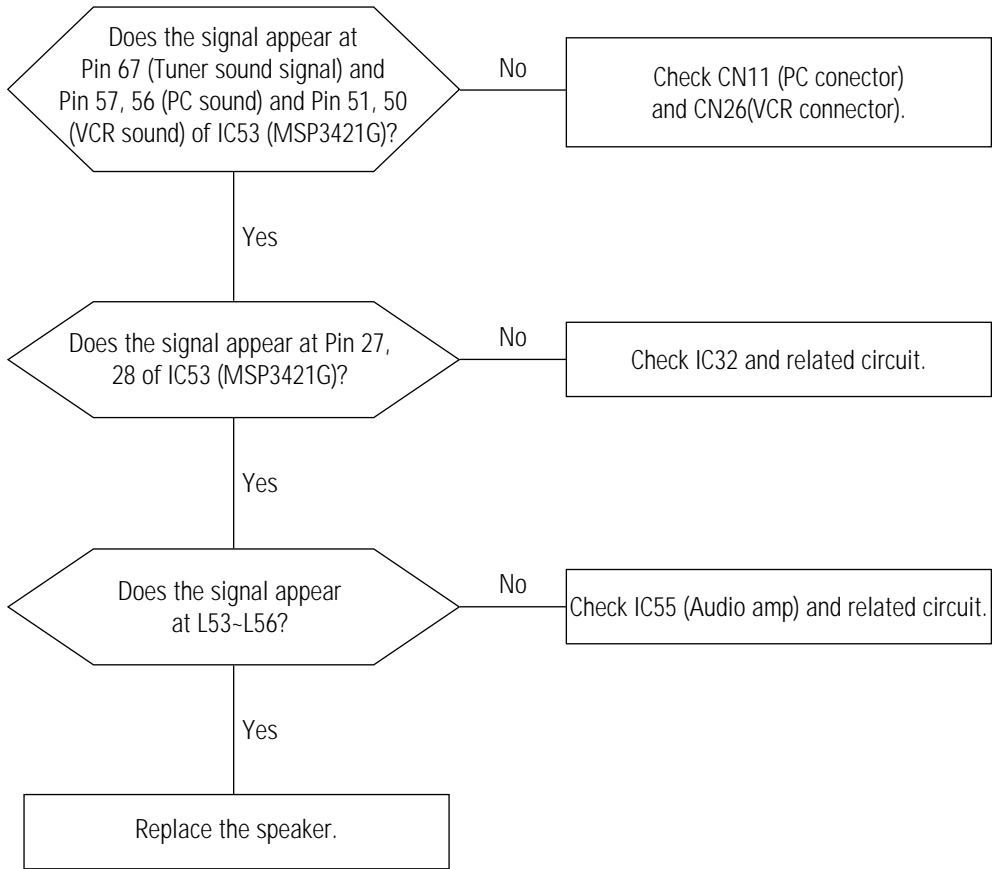
### 5-2 No Video (PC Signal)



**5-3 No Picture (TV, Video, S-Video)**



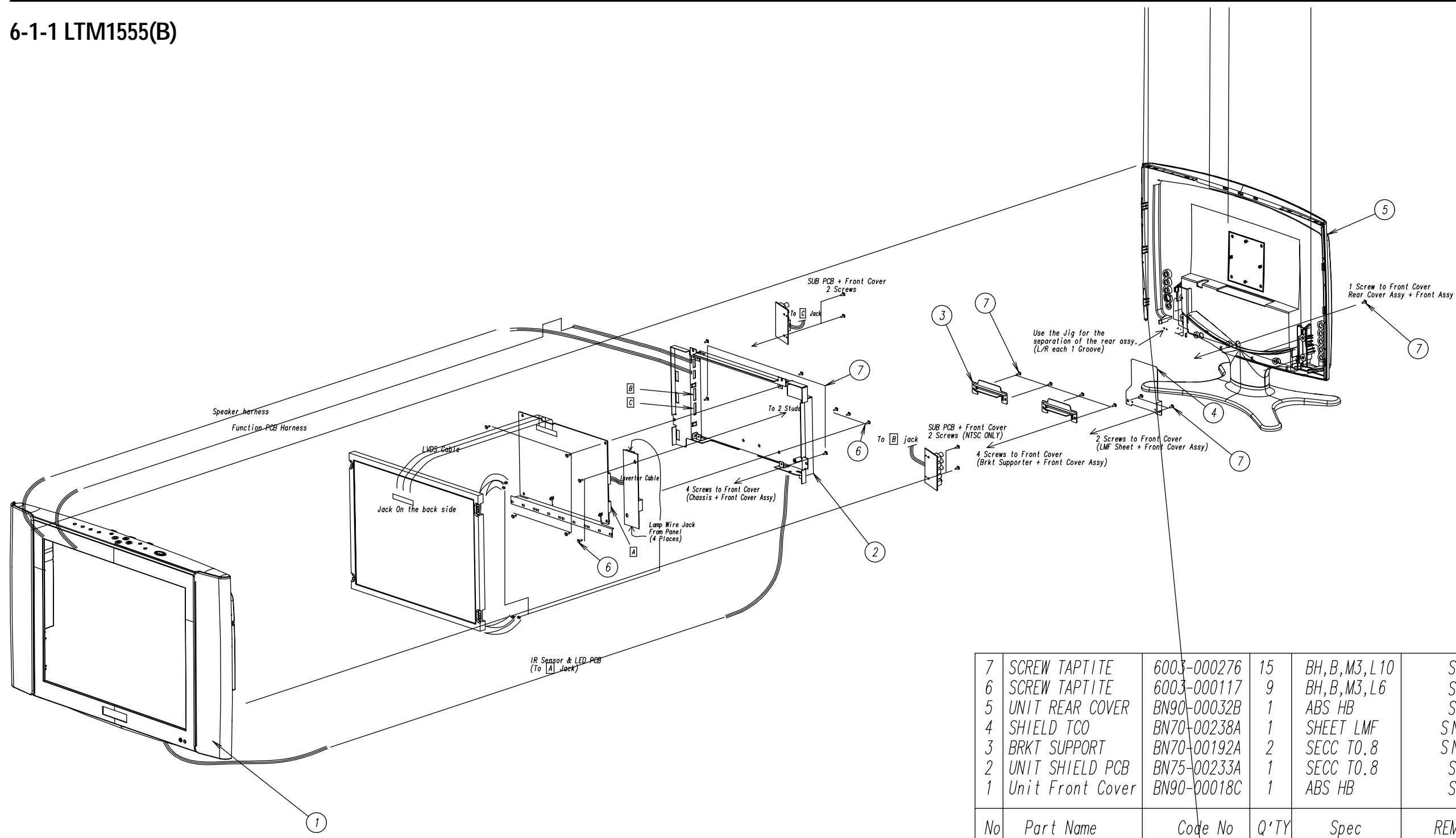
### 5-4 No Sound





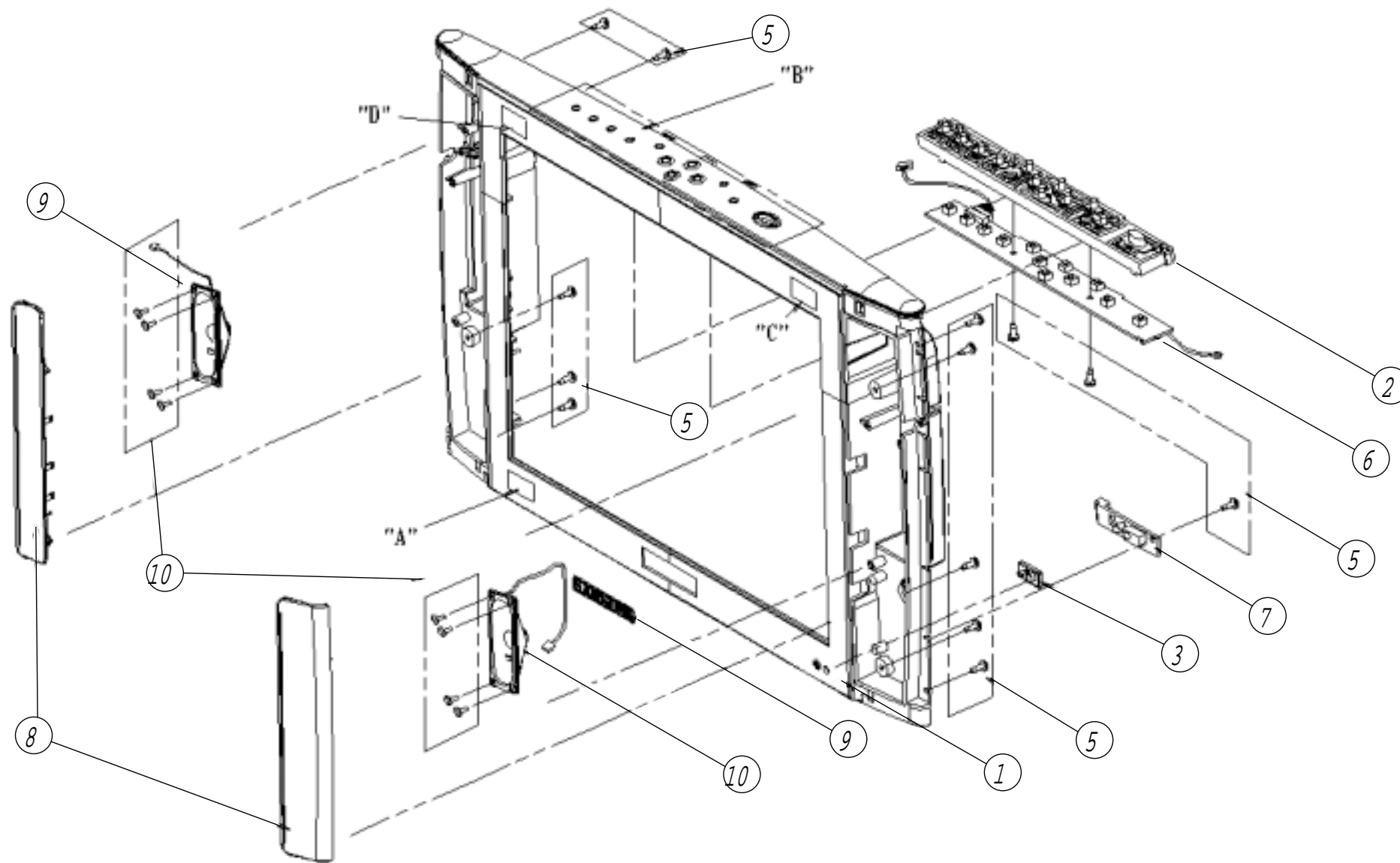
6 Exploded View and Parts List

6-1-1 LTM1555(B)



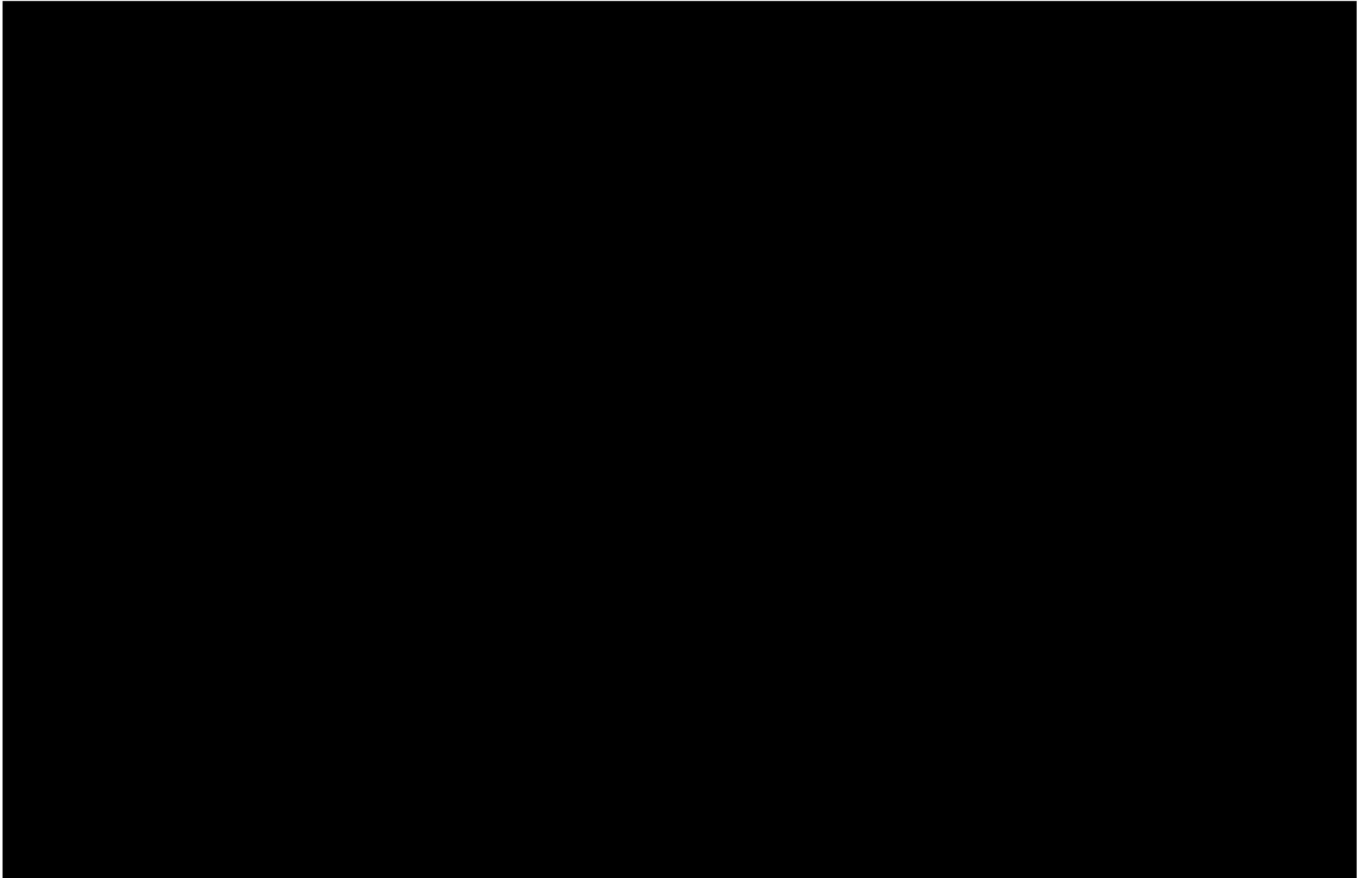
7	SCREW TAPTITE	6003-000276	15	BH,B,M3,L10	SA
6	SCREW TAPTITE	6003-000117	9	BH,B,M3,L6	SA
5	UNIT REAR COVER	BN90-00032B	1	ABS HB	SA
4	SHIELD TCO	BN70-00238A	1	SHEET LMF	SNA
3	BRKT SUPPORT	BN70-00192A	2	SECC TO.8	SNA
2	UNIT SHIELD PCB	BN75-00233A	1	SECC TO.8	SA
1	Unit Front Cover	BN90-00018C	1	ABS HB	SA
No	Part Name	Code No	Q'TY	Spec	REMARK

6-1-2 LTM1555(B) Front

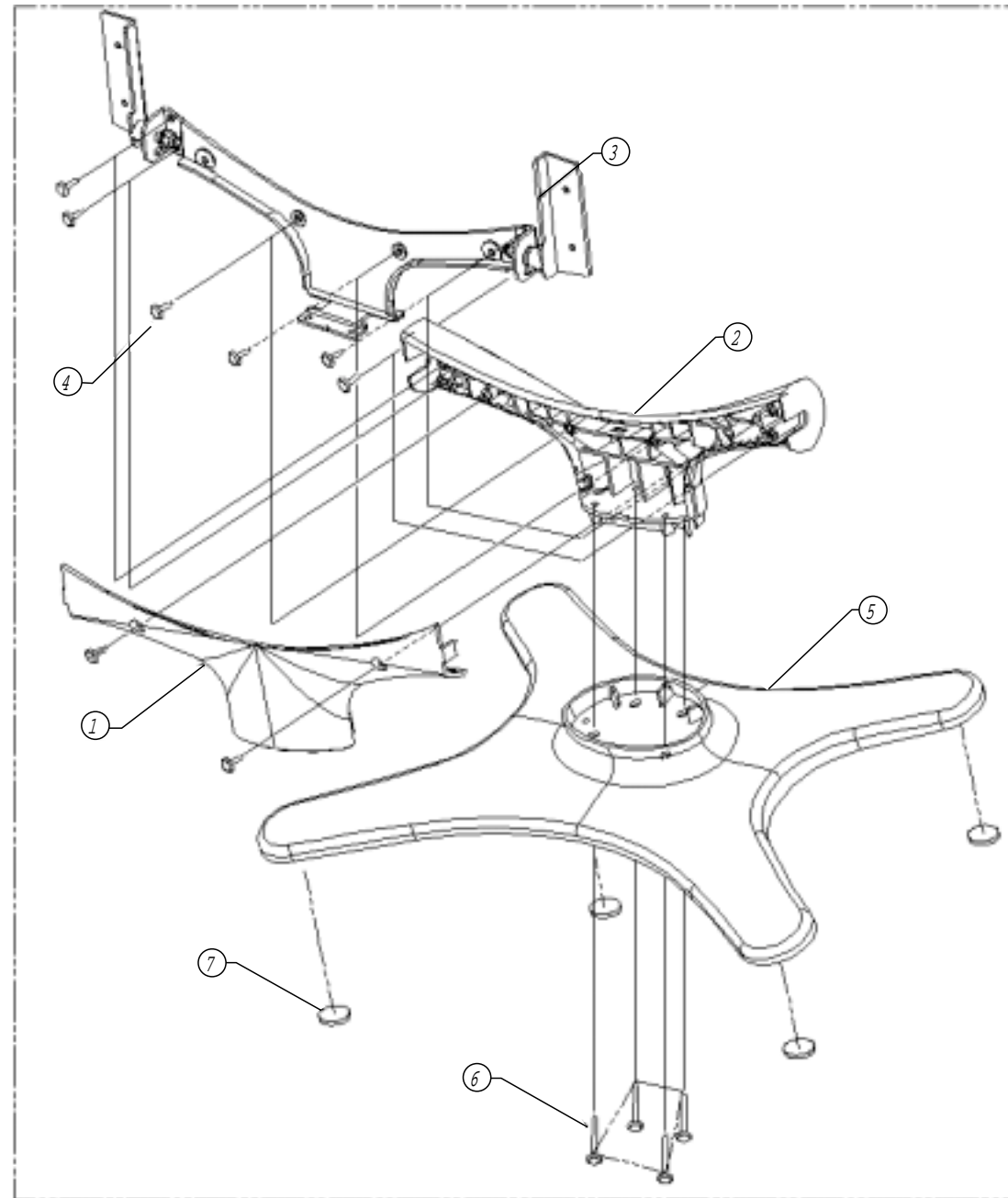


BN90-00018C	11	SCREW-TAPTITE	6002-00129	FH, M3, L8	8	SA
	10	SPEAKER SYSTEM(R)	BN59-00262A		1	SA
	9	SPEAKER SYSTEM(L)	BN59-00263A		1	SA
	8	GRILL-SPEAKER	BN64-00039A	ABS HB GR60	1(L/R)	SNA
	7	IR SENSOR PCB	BN59-00216A	REMOCON SENSING PCB	1	SA
	6	FUNCTION PCB	BN59-00214A	FUNCTION KEY	1	SA
	5	SCREW-TAPTITE	6003-000276	BH, M3, L10	13	SA
	4	LOGO BADGE	BN64-00031A	AL 40, IX6, 3X1, 4 SILVER	1	SNA
	3	LENS LED	BN67-00020A	PC CLEAR	1	SA
	2	KNOB-FUNCTION	BN64-00035A	ABS+PC 5V IV16	1	SNA
1	COVER-FRONT	BN72-00258A		1	SNA	
UNIT CODE NO.	NO	PART NAME	CODE NO.	SPECIFICATION	Q'TY	REMARK

**6-1-3 LTM1555(B) Rear**

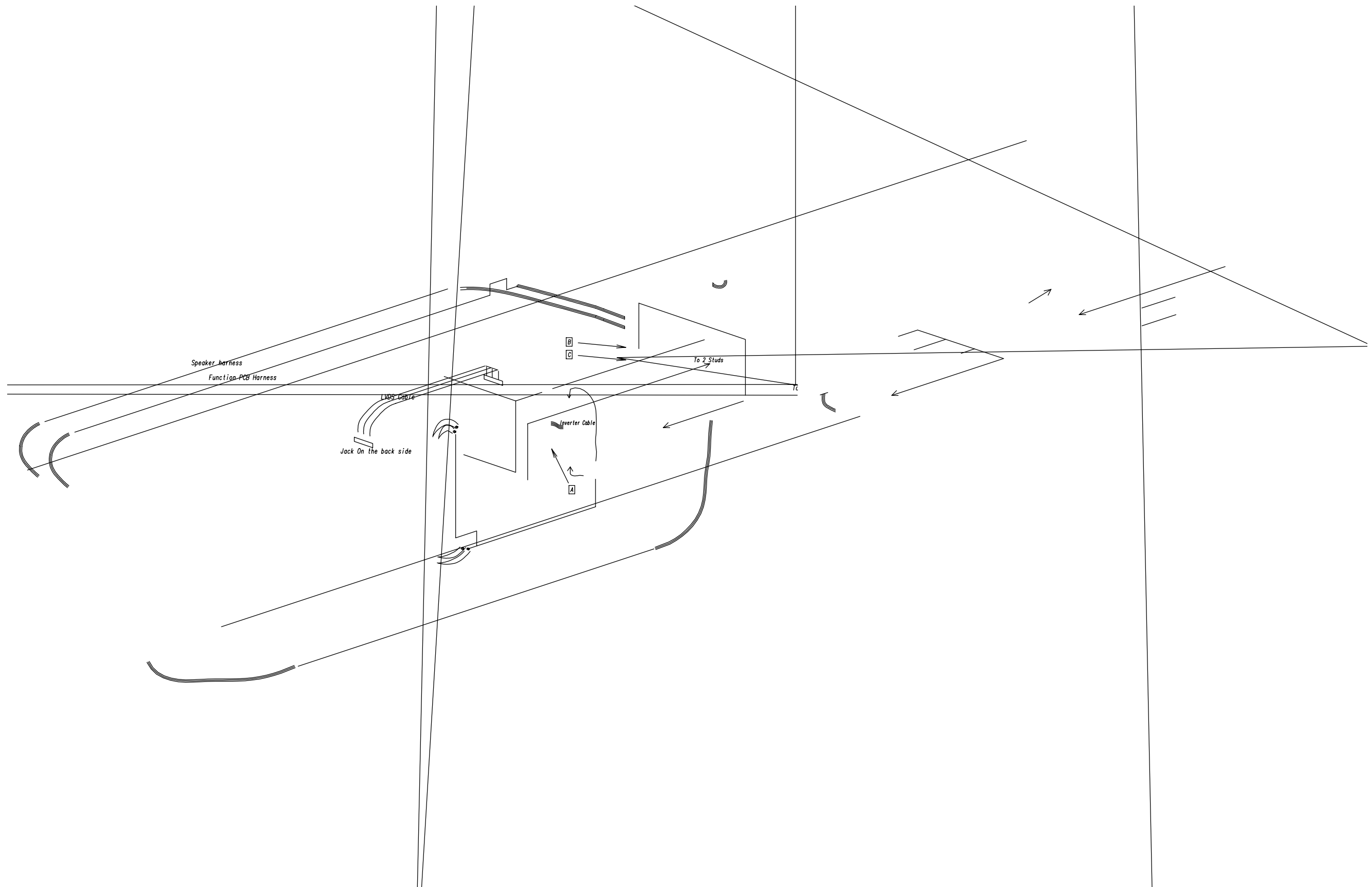


6-1-3 LTM1555(B) Stand

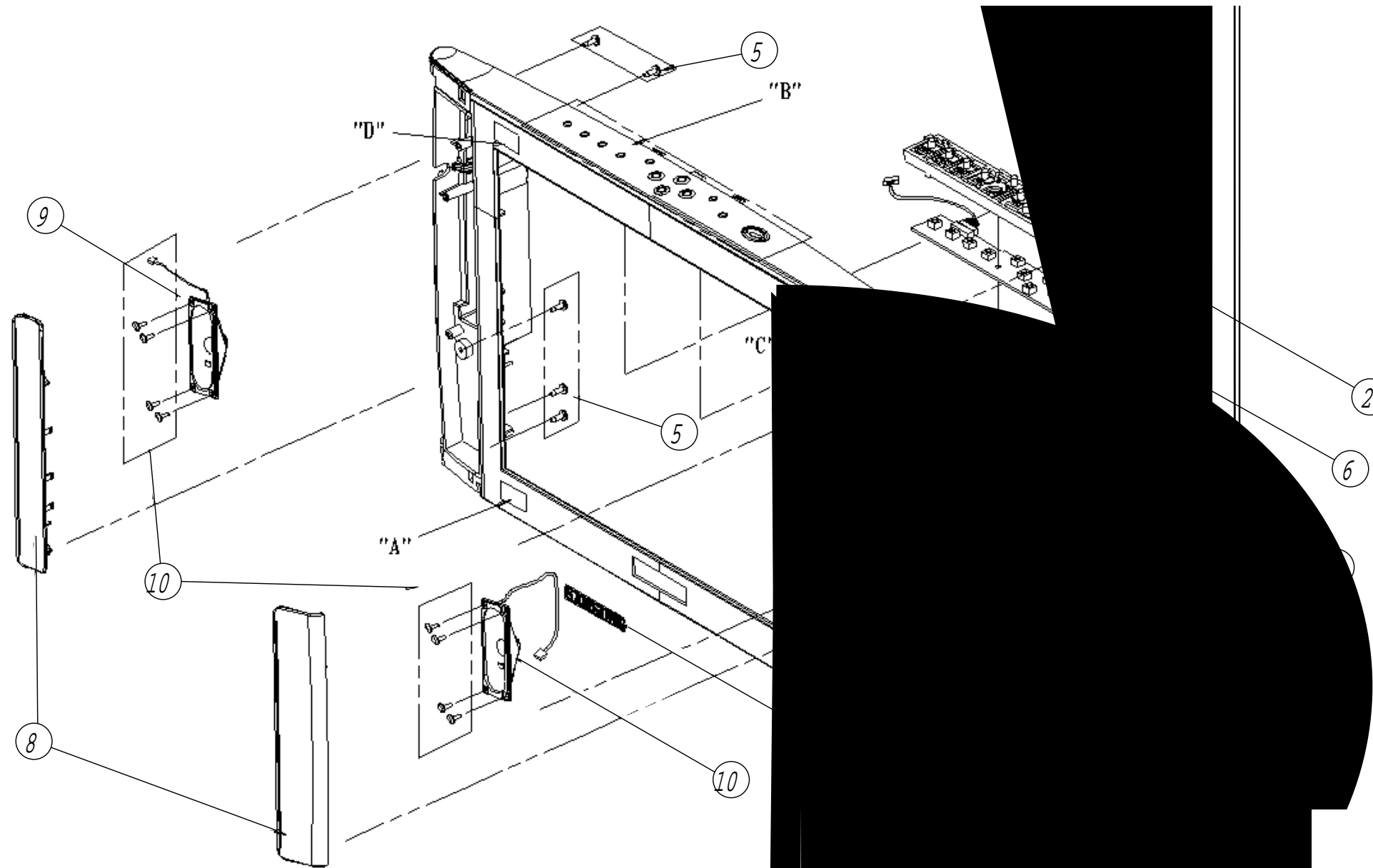


BN75-00242A	7	RUBBER-LEG	BH73-60339A	SLC1400, EVA, GRAY, 65HB	4	SNA
	6	SCREW-TAPTITE	6003-001315	BH, +, M4, L20, ZPC(YEL)	4	SA
	5	STAND BASE	BN72-00256A	AL DIE CASTING	1	SNA
	4	SCREW-TAPTITE	6003-000009	BH, +, M4, L16	8	SA
	3	ASS'Y HINGE	BN75-00211A	SECC, T2. 0	1	SNA
	2	STAND REAR	BN72-00254A	ABS HB IV16	1	SNA
	1	STAND FRONT	BN72-00257A	ABS HB IV16	1	SNA
UNIT CODE NO	ON	PART NAME	CODE NO.	MATERIAL	Q'TY	REMARK

6-2-1 LTM1755(B)

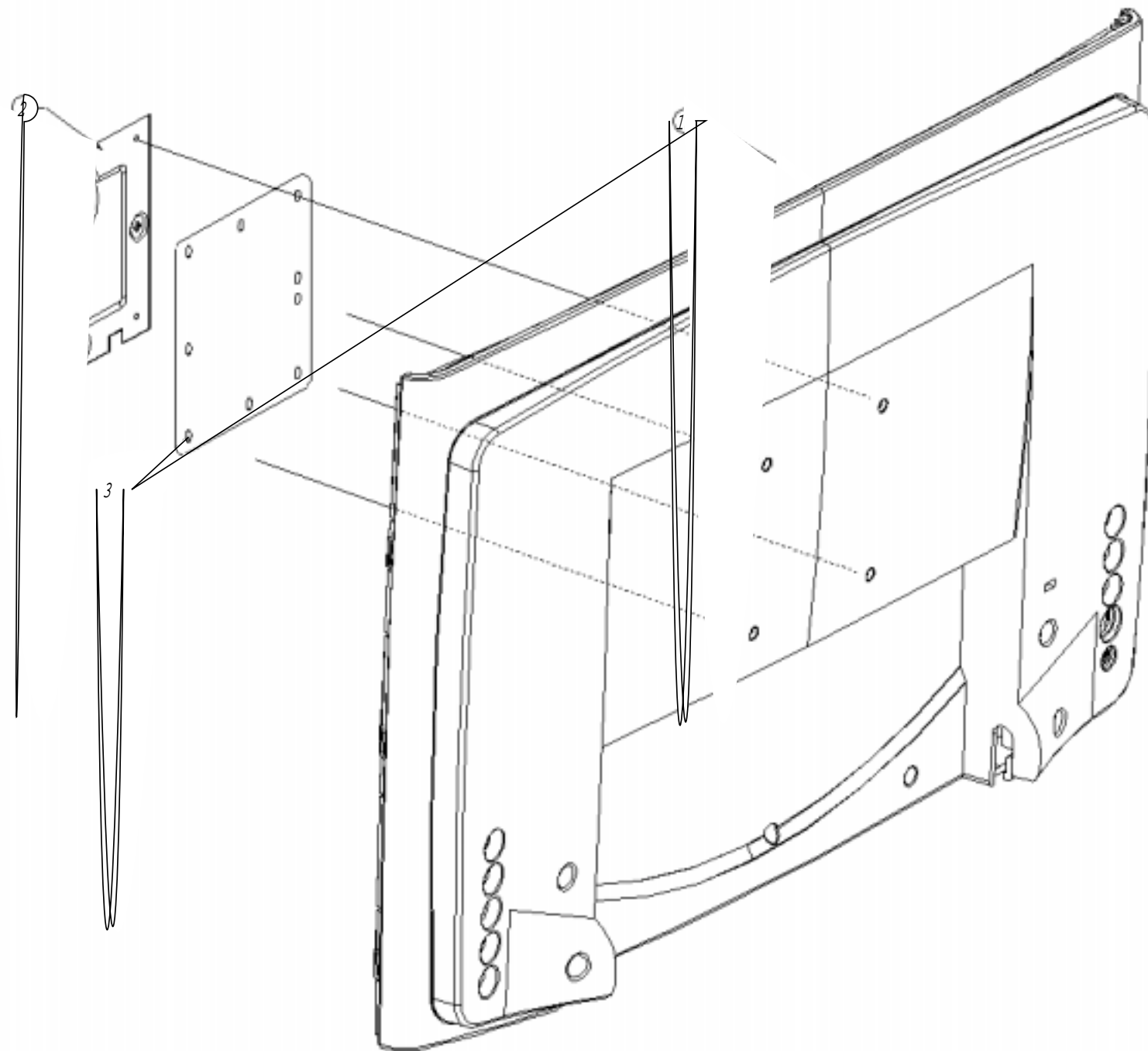


6-2-2 LTM1755(B) Front



BN90-00019C	11	SCREW-TAPTITE	6002-00129			
	10	SPEAKER SYSTEM(R)	BN59-00264			
	9	SPEAKER SYSTEM(L)	BN59-00263			
	8	GRILL-SPEAKER	BN63-00092			
	7	IR SENSOR PCB	BN59-00216		1	
	6	FUNCTION PCB	BN59-00214		1	
	5	SCREW-TAPTITE	6003-00027	PH, MS, E10	13	
	4	LOGO BADGE	BN64-00031A	AL 40, IX6, 3X1, 4 SILVER	1	SNA
	3	LENS LED	BN67-00020A	PC CLEAR	1	
	2	KNOB-FUNCTION	BN64-00035A	ABS+PC 5V IV16	1	SNA
1	COVER-FRONT	BN63-00090A	ABS V0 IV16	1	SNA	
UNIT CODE NO.	NO.	PART NAME	CODE NO.	SPECIFICATION	QTY	REMARK

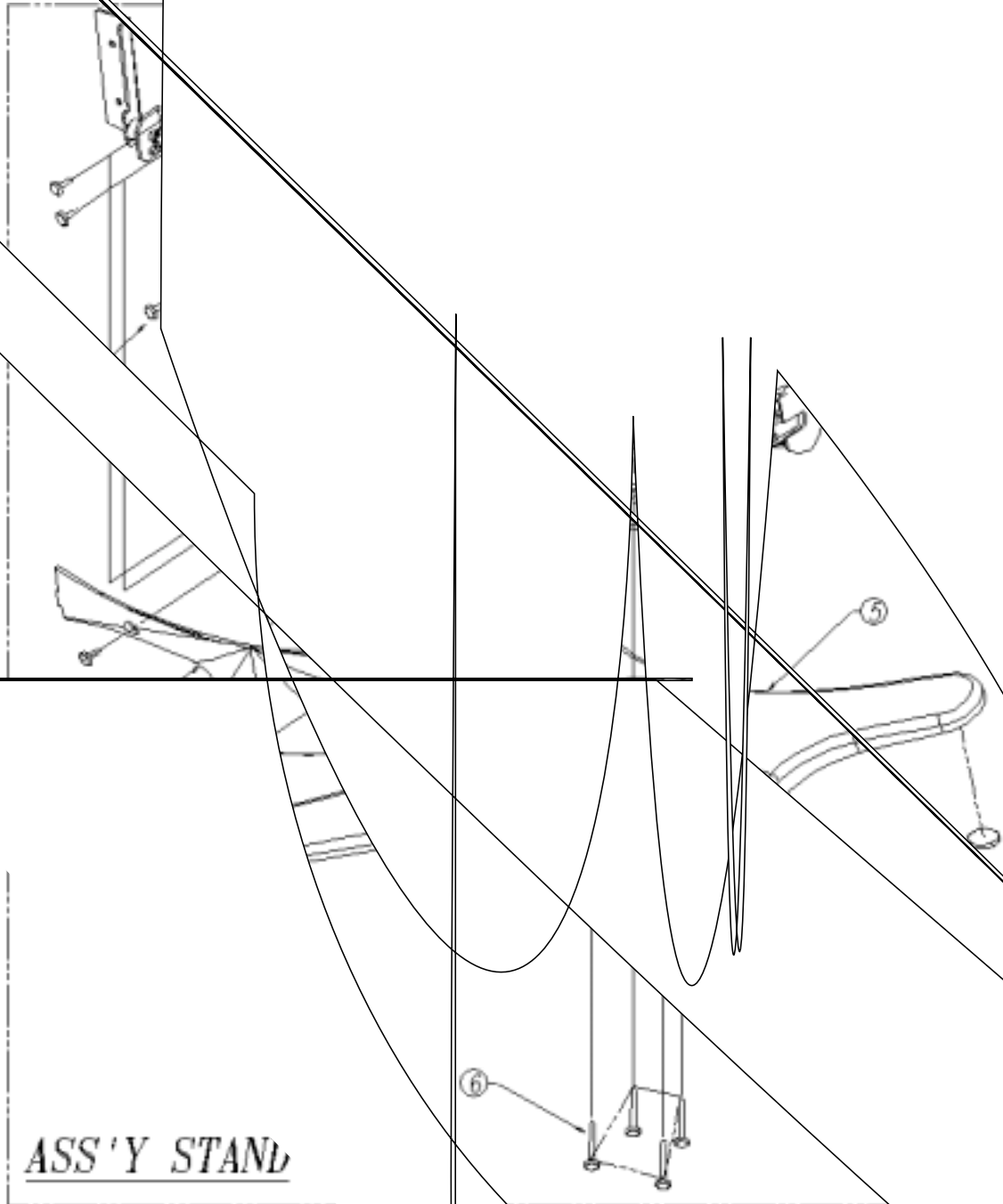
6-2-3 LTM1755(B) Rear



3	NON-WOVEN CLOTH		T1.0(95*95)	1	-
2	PLATE VESA	BN70-00176	SECC T0.8	1	SNA NA

6 Exploded View &

6-2-3 LTM1755( d



ASS'Y STAND

7 RUBBER-LEG B,  
6 SCREW-TAPTITE 600

PLC1400, EVA, GRAY, 65HB 4



## 7 Electrical Parts List

### 7-1-1 LTM1555(B) Main PCB Parts

Loc. No.	Code No.	Description	Specification	Remarks
CIS	BN94-00308A	ASSY PCB MAIN	ES15UO	SNA
C1	BN83-00081A	CKD-BN44-00056A	BN44-00056A,2203-000206	SNA
C10	BN83-00086A	CKD-BN44-00056A	BN44-00056A,2203-002793	SNA
C11	BN83-00086A	CKD-BN44-00056A	BN44-00056A,2203-002793	SNA
C115	2409-001044	C-ORGANIC	100UF,+20%,16V,WT,TP,8X10.5,5	
C116	2409-001044	C-ORGANIC	100UF,+20%,16V,WT,TP,8X10.5,5	
C12	BN83-00082A	CKD-BN44-00056A	BN44-00056A,2203-001458	SNA
C13	BN83-00083A	CKD-BN44-00056A	BN44-00056A,2203-000455	SNA
C14	BN83-00079A	CKD-BN44-00056A	BN44-00056A,2301-001336	SNA
C15	BN83-00080A	CKD-BN44-00056A	BN44-00056A,2201-002122	SNA
C16	BN83-00080A	CKD-BN44-00056A	BN44-00056A,2201-002122	SNA
C17	BN83-00081A	CKD-BN44-00056A	BN44-00056A,2203-000206	SNA
C18	BN83-00081A	CKD-BN44-00056A	BN44-00056A,2203-000206	SNA
C19	BN83-00086A	CKD-BN44-00056A	BN44-00056A,2203-002793	SNA
C2	BN83-00085A	CKD-BN44-00056A	BN44-00056A,2203-001130	SNA
C20	BN83-00086A	CKD-BN44-00056A	BN44-00056A,2203-002793	SNA
C21	BN83-00082A	CKD-BN44-00056A	BN44-00056A,2203-001458	SNA
C22	BN83-00083A	CKD-BN44-00056A	BN44-00056A,2203-000455	SNA
C23	BN83-00081A	CKD-BN44-00056A	BN44-00056A,2203-000206	SNA
C3	BN83-00078A	CKD-BN44-00056A	BN44-00056A,2401-003400	SNA
C30	BN83-00084A	CKD-BN44-00056A	BN44-00056A,2203-000590	SNA
C31	BN83-00084A	CKD-BN44-00056A	BN44-00056A,2203-000590	SNA
C5	BN83-00079A	CKD-BN44-00056A	BN44-00056A,2301-001336	SNA
C50	BN83-00081A	CKD-BN44-00056A	BN44-00056A,2203-000206	SNA
C6	BN83-00080A	CKD-BN44-00056A	BN44-00056A,2201-002122	SNA
C7	BN83-00080A	CKD-BN44-00056A	BN44-00056A,2201-002122	SNA
C8	BN83-00081A	CKD-BN44-00056A	BN44-00056A,2203-000206	SNA
C9	BN83-00081A	CKD-BN44-00056A	BN44-00056A,2203-000206	SNA
CIS	0202-001044	SOLDER-WIRE.	S63S-W3.0,S63S,D3,63Sn/37Pb,-	SNA
CIS	0202-001162	SOLDER-CREAM	RMA-20-21L,S63,-,SN63/PB36.6/AGO.4,FLUX9.5%	SNA
CIS	0202-001222	SOLDER-WIRE FLUX	RS-107,RS60-1.2AA,D1.2,SN60/PB40,-	SNA
CIS	0204-001095	THINNER	#4520,-,-,-	SNA
CIS	0204-001527	FLUX	DF-201TVS,MIX,0.820,FLUX 13%, 14KG	
CIS	BN39-00047A	CBF-HARNESS	100MM,100MM,BLU/WHT/GRY,UL1061,AWG28,51021-1200	
CIS	BN39-00201A	LEAD CONNECTOR-ASSY	ES15AS,UL2835#28,ULJCSA,6P,-,-,28,1250HS-06,1250HS-06,BK,-,-,170MM,2835#28,SJ	
CIS	BN39-00286A	LEAD CONNECTOR-ASSY	ES15UO,UL2835#28,ULJCSA,20P,#28,1250HS-20,1250HS-20,BK,180MM,2835#28,SJ02-01-1	
CIS	BN44-00056A	INVERTER	GOGH,SIC1542,48KHZ,12VDC,1.5MARRMS,5.6MARRMS,48KHZ,37"140"16.0,4LANP,40-56KV,-,SIC	
CIS	BN83-00137A	CKD-BN44-00056A	BN44-00056A,2007-000091	SNA
CIS	BN63-00003A	GASKET-SHIELD	LSA700,POLYURETHANE SPONGE,-,-,35MM,-,-,-	SNA
CIS	BN63-00059A	GASKET	GH17MS,CONDUCTIVE FABRIC,5MM,160MM,17MM,-,-,EMI-GASKET	SNA
CIS	BN63-00066B	SHIELD-D SUB	ES15NS,SPT ,TO.5,-,-,-,-	SNA
CIS	BN63-00133A	GASKET	EOS,CONDUCTIVE FABRIC,17MM,5MM,260MM,GRAY,71TSK17-5-260-13,71TSK17-5-260-13	SNA
CN1	BN83-00110A	CKD-BN44-00056A	BN44-00056A,3711-000556	SNA
CN11	3701-001219	CONNECTOR-DSUB	15P,3R,FEMALE,ANGLE,AUF	
CN12	3722-000117	JACK-DC POWER	3P,3.5mm,AG,BLK,NO	SNA
CN2	BN83-00111A	CKD-BN44-00056A	BN44-00056A,3711-004702	SNA
CN24	3722-001547	JACK-PIN	3P,3.5mm,AU,GRN/BLU/RED,-	
CN25	3722-001756	JACK-PIN	2P,-,AU,WHT/RED,-	
CN3	BN83-00111A	CKD-BN44-00056A	BN44-00056A,3711-004702	SNA
CN4	BN83-00111A	CKD-BN44-00056A	BN44-00056A,3711-004702	SNA
CN41	BN40-00012A	TUNER	TCLN9081PA27K,TCLN9081PA27K,181,45.75MHZ,75 OHM,75 OHM,F-CON,5V,TR	
CN5	BN83-00111A	CKD-BN44-00056A	BN44-00056A,3711-004702	SNA
CN51	3722-001055	JACK-PHONE	5P/2C,3.6PI,AG,BLK,#16-22	SNA
CN52	3711-004386	CONNECTOR-HEADER	BOX,3P,1R,2mm,ANGLE,SN	SNA
CN53	3711-004270	CONNECTOR-HEADER	BOX,2P,1R,2MM,ANGLE,SN	SNA
D10	BN83-00074A	CKD-BN44-00056A	BN44-00056A,0407-000114	SNA

Loc. No.	Code No.	Description	Specification	Remarks
D12	BN83-00074A	CKD-BN44-00056A	BN44-00056A,0407-000114	SNA
D13	BN83-00075A	CKD-BN44-00056A	BN44-00056A,0402-001110	SNA
D14	BN83-00076A	CKD-BN44-00056A	BN44-00056A,0407-000122	SNA
D15	BN83-00077A	CKD-BN44-00056A	BN44-00056A,0407-000116	SNA
D16	BN83-00077A	CKD-BN44-00056A	BN44-00056A,0407-000116	SNA
D19	BN83-00074A	CKD-BN44-00056A	BN44-00056A,0407-000114	SNA
D2	BN83-00074A	CKD-BN44-00056A	BN44-00056A,0407-000114	SNA
D20	BN83-00074A	CKD-BN44-00056A	BN44-00056A,0407-000114	SNA
D3	BN83-00075A	CKD-BN44-00056A	BN44-00056A,0402-001110	SNA
D4	BN83-00076A	CKD-BN44-00056A	BN44-00056A,0407-000122	SNA
D5	BN83-00077A	CKD-BN44-00056A	BN44-00056A,0407-000116	SNA
D6	BN83-00077A	CKD-BN44-00056A	BN44-00056A,0407-000116	SNA
D7	BN83-00074A	CKD-BN44-00056A	BN44-00056A,0407-000114	SNA
F1	BN83-00108A	CKD-BN44-00056A	BN44-00056A,3601-001038	SNA
INSULATOR	BN83-00113A	CKD-BN44-00056A	BN44-00056A,LH72-00170A	SNA
L1	BN83-00107A	CKD-BN44-00056A	BN44-00056A,LH27-00145A	SNA
L2	BN83-00107A	CKD-BN44-00056A	BN44-00056A,LH27-00145A	SNA
L43	2701-000157	INDUCTOR-AXIAL	220uH,5%,2.5x3.4mm	
L44	2701-000210	INDUCTOR-AXIAL	680uH,10%,3x7mm	
L45	2701-000177	INDUCTOR-AXIAL	33uH,10%,2.5x3.4mm	
L46	2701-000177	INDUCTOR-AXIAL	33uH,10%,2.5x3.4mm	
L47	2701-000146	INDUCTOR-AXIAL	2.2uH,10%,2.5x3.4mm	
M/PCB+SH/PCB	6003-000117	SCREW-TAPTITE	BH,+B,M3,L6,ZPC(YEL),SWRCH18A	SNA
PCB	BN83-00112A	CKD-BN44-00056A	BN44-00056A,LH41-00214A	SNA
Q1	BN83-00070A	CKD-BN44-00056A	BN44-00056A,0504-000129	SNA
Q10	BN83-00070A	CKD-BN44-00056A	BN44-00056A,0504-000129	SNA
Q11	BN83-00070A	CKD-BN44-00056A	BN44-00056A,0504-000129	SNA
Q12	BN83-00069A	CKD-BN44-00056A	BN44-00056A,0501-000457	SNA
Q13	BN83-00072A	CKD-BN44-00056A	BN44-00056A,0505-001160	SNA
Q14	BN83-00073A	CKD-BN44-00056A	BN44-00056A,0501-002186	SNA
Q15	BN83-00073A	CKD-BN44-00056A	BN44-00056A,0501-002186	SNA
Q16	BN83-00070A	CKD-BN44-00056A	BN44-00056A,0504-000129	SNA
Q17	BN83-00070A	CKD-BN44-00056A	BN44-00056A,0504-000129	SNA
Q18	BN83-00070A	CKD-BN44-00056A	BN44-00056A,0504-000129	SNA
Q2	BN83-00068A	CKD-BN44-00056A	BN44-00056A,0504-000158	SNA
Q23	BN83-00071A	CKD-BN44-00056A	BN44-00056A,0501-000462	SNA
Q24	BN83-00071A	CKD-BN44-00056A	BN44-00056A,0501-000462	SNA
Q3	BN83-00070A	CKD-BN44-00056A	BN44-00056A,0504-000129	SNA
Q4	BN83-00070A	CKD-BN44-00056A	BN44-00056A,0504-000129	SNA
Q5	BN83-00069A	CKD-BN44-00056A	BN44-00056A,0501-000457	SNA
Q6	BN83-00072A	CKD-BN44-00056A	BN44-00056A,0505-001160	SNA
Q7	BN83-00073A	CKD-BN44-00056A	BN44-00056A,0501-002186	SNA
Q8	BN83-00073A	CKD-BN44-00056A	BN44-00056A,0501-002186	SNA
Q9	BN83-00070A	CKD-BN44-00056A	BN44-00056A,0504-000129	SNA
R1	BN83-00090A	CKD-BN44-00056A	BN44-00056A,2007-000098	SNA
R10	BN83-00101A	CKD-BN44-00056A	BN44-00056A,2007-000090	SNA
R100	BN83-00106A	CKD-BN44-00056A	BN44-00056A,2104-000224	SNA
R11	BN83-00102A	CKD-BN44-00056A	BN44-00056A,2007-000934	SNA
R12	BN83-00102A	CKD-BN44-00056A	BN44-00056A,2007-000934	SNA
R13	BN83-00102A	CKD-BN44-00056A	BN44-00056A,2007-000934	SNA
R14	BN83-00102A	CKD-BN44-00056A	BN44-00056A,2007-000934	SNA
R19	BN83-00087A	CKD-BN44-00056A	BN44-00056A,2007-000671	SNA
R2	BN83-00088A	CKD-BN44-00056A	BN44-00056A,2007-001010	SNA
R20	BN83-00087A	CKD-BN44-00056A	BN44-00056A,2007-000671	SNA
R21	BN83-00089A	CKD-BN44-00056A	BN44-00056A,2007-000794	SNA
R22	BN83-00089A	CKD-BN44-00056A	BN44-00056A,2007-000794	SNA
R23	BN83-00090A	CKD-BN44-00056A	BN44-00056A,2007-000098	SNA
R24	BN83-00090A	CKD-BN44-00056A	BN44-00056A,2007-000098	SNA
R25	BN83-00091A	CKD-BN44-00056A	BN44-00056A,2007-000096	SNA

Loc. No.	Code No.	Description	Specification	Remarks
R27	BN83-00093A	CKD-BN44-00056A	BN44-00056A,2007-000092	SNA
R28	BN83-00094A	CKD-BN44-00056A	BN44-00056A,2007-000102	SNA
R29	BN83-00090A	CKD-BN44-00056A	BN44-00056A,2007-000098	SNA
R3	BN83-00090A	CKD-BN44-00056A	BN44-00056A,2007-000098	SNA
R30	BN83-00101A	CKD-BN44-00056A	BN44-00056A,2007-000090	SNA
R31	BN83-00092A	CKD-BN44-00056A	BN44-00056A,2007-000872	SNA
R34	BN83-00092A	CKD-BN44-00056A	BN44-00056A,2007-000872	SNA
R35	BN83-00100A	CKD-BN44-00056A	BN44-00056A,2007-000130	SNA
R36	BN83-00101A	CKD-BN44-00056A	BN44-00056A,2007-000090	SNA
R37	BN83-00102A	CKD-BN44-00056A	BN44-00056A,2007-000934	SNA
R38	BN83-00102A	CKD-BN44-00056A	BN44-00056A,2007-000934	SNA
R39	BN83-00102A	CKD-BN44-00056A	BN44-00056A,2007-000934	SNA
R4	BN83-00100A	CKD-BN44-00056A	BN44-00056A,2007-000130	SNA
R40	BN83-00102A	CKD-BN44-00056A	BN44-00056A,2007-000934	SNA
R45	BN83-00087A	CKD-BN44-00056A	BN44-00056A,2007-000671	SNA
R46	BN83-00087A	CKD-BN44-00056A	BN44-00056A,2007-000671	SNA
R47	BN83-00089A	CKD-BN44-00056A	BN44-00056A,2007-000794	SNA
R48	BN83-00089A	CKD-BN44-00056A	BN44-00056A,2007-000794	SNA
R49	BN83-00090A	CKD-BN44-00056A	BN44-00056A,2007-000098	SNA
R5	BN83-00096A	CKD-BN44-00056A	BN44-00056A,2007-000129	SNA
R50	BN83-00090A	CKD-BN44-00056A	BN44-00056A,2007-000098	SNA
R52	BN83-00091A	CKD-BN44-00056A	BN44-00056A,2007-000096	SNA
R54	BN83-00093A	CKD-BN44-00056A	BN44-00056A,2007-000092	SNA
R55	BN83-00090A	CKD-BN44-00056A	BN44-00056A,2007-000098	SNA
R56	BN83-00101A	CKD-BN44-00056A	BN44-00056A,2007-000090	SNA
R57	BN83-00092A	CKD-BN44-00056A	BN44-00056A,2007-000872	SNA
R6	BN83-00097A	CKD-BN44-00056A	BN44-00056A,2007-001114	SNA
R61	BN83-00101A	CKD-BN44-00056A	BN44-00056A,2007-000090	SNA
R62	BN83-00093A	CKD-BN44-00056A	BN44-00056A,2007-000092	SNA
R63	BN83-00089A	CKD-BN44-00056A	BN44-00056A,2007-000794	SNA
R64	BN83-00101A	CKD-BN44-00056A	BN44-00056A,2007-000090	SNA
R65	BN83-00093A	CKD-BN44-00056A	BN44-00056A,2007-000092	SNA
R66	BN83-00089A	CKD-BN44-00056A	BN44-00056A,2007-000794	SNA
R69	BN83-00098A	CKD-BN44-00056A	BN44-00056A,2007-000269	SNA
R70	BN83-00094A	CKD-BN44-00056A	BN44-00056A,2007-000102	SNA
R71	BN83-00099A	CKD-BN44-00056A	BN44-00056A,2007-000093	SNA
R72	BN83-00099A	CKD-BN44-00056A	BN44-00056A,2007-000093	SNA
R73	BN83-00095A	CKD-BN44-00056A	BN44-00056A,2007-000122	SNA
R74	BN83-00095A	CKD-BN44-00056A	BN44-00056A,2007-000122	SNA
R75	BN83-00095A	CKD-BN44-00056A	BN44-00056A,2007-000122	SNA
R76	BN83-00095A	CKD-BN44-00056A	BN44-00056A,2007-000122	SNA
R77	BN83-00094A	CKD-BN44-00056A	BN44-00056A,2007-000102	SNA
R78	BN83-00094A	CKD-BN44-00056A	BN44-00056A,2007-000102	SNA
R79	BN83-00097A	CKD-BN44-00056A	BN44-00056A,2007-001114	SNA
R8	BN83-00092A	CKD-BN44-00056A	BN44-00056A,2007-000872	SNA
R80	BN83-00103A	CKD-BN44-00056A	BN44-00056A,2007-000070	SNA
R81	BN83-00104A	CKD-BN44-00056A	BN44-00056A,2007-002422	SNA
R82	BN83-00104A	CKD-BN44-00056A	BN44-00056A,2007-002422	SNA
R83	BN83-00103A	CKD-BN44-00056A	BN44-00056A,2007-000070	SNA
R84	BN83-00094A	CKD-BN44-00056A	BN44-00056A,2007-000102	SNA
R85	BN83-00094A	CKD-BN44-00056A	BN44-00056A,2007-000102	SNA
R86	BN83-00105A	CKD-BN44-00056A	BN44-00056A,2007-000691	SNA
R87	BN83-00105A	CKD-BN44-00056A	BN44-00056A,2007-000691	SNA
R9	BN83-00100A	CKD-BN44-00056A	BN44-00056A,2007-000130	SNA
R91	BN83-00094A	CKD-BN44-00056A	BN44-00056A,2007-000102	SNA
R92	BN83-00094A	CKD-BN44-00056A	BN44-00056A,2007-000102	SNA
R93	BN83-00103A	CKD-BN44-00056A	BN44-00056A,2007-000070	SNA
R94	BN83-00093A	CKD-BN44-00056A	BN44-00056A,2007-000092	SNA
R95	BN83-00101A	CKD-BN44-00056A	BN44-00056A,2007-000090	SNA

Loc. No.	Code No.	Description	Specification	Remarks
SH/PCB+SH/D_SUB	6003-000117	SCREW-TAPTITE	BH,+B,M3,L6,ZPC(YEL),SWRCH18A	SNA
T1	BN83-00109A	CKD-BN44-00056A	BN44-00056A,LH26-00144A	SNA
T2	BN83-00109A	CKD-BN44-00056A	BN44-00056A,LH26-00144A	SNA
U1	BN83-00066A	CKD-BN44-00056A	BN44-00056A,1201-000471	SNA
U2	BN83-00067A	CKD-BN44-00056A	BN44-00056A,1202-000104	SNA
U3	BN83-00067A	CKD-BN44-00056A	BN44-00056A,1202-000104	SNA
U4	BN83-00065A	CKD-BN44-00056A	BN44-00056A,1203-000560	SNA
U5	BN83-00067A	CKD-BN44-00056A	BN44-00056A,1202-000104	SNA
U501	2401-002286	C-AL	470uF,20%,16V,WT,TP,10x12.5,5	
CIS	BN90-00031A	ASSY SHIELD-PCB	ES15NS,-,-,SECC TO.8,-,-,-,-	SNA
CIS	BN97-00096L	ASSY MICOM	ES15UO	
IC22	1102-001108	IC-EPROM	27C020,256Kx8BIT,PLCC,32P,495MIL,70ns,5V,10%,PLASTIC,0to+70C,100uA,CMOS,TR	
CIS	BN46-00012M	S/W MICOM	ES15UO	SNA
CIS	BN97-00099A	ASSY SMD	ES15UO	SNA
BD109	3301-001163	CORE-FERRITE BEAD	AB,80ohm,2x1.25x1mm,300mA,TP,FERRITE,0.08ohm	
BD11	3301-001236	CORE-FERRITE BEAD	AB,60ohm,1.6x0.8x0.8mm,200mA,TP,H,0.7ohm	
BD12	3301-001236	CORE-FERRITE BEAD	AB,60ohm,1.6x0.8x0.8mm,200mA,TP,H,0.7ohm	
BD13	3301-001236	CORE-FERRITE BEAD	AB,60ohm,1.6x0.8x0.8mm,200mA,TP,H,0.7ohm	
BD14	3301-001163	CORE-FERRITE BEAD	AB,80ohm,2x1.25x1mm,300mA,TP,FERRITE,0.08ohm	
BD21	3301-001163	CORE-FERRITE BEAD	AB,80ohm,2x1.25x1mm,300mA,TP,FERRITE,0.08ohm	
BD210	3301-001163	CORE-FERRITE BEAD	AB,80ohm,2x1.25x1mm,300mA,TP,FERRITE,0.08ohm	
BD211	3301-001163	CORE-FERRITE BEAD	AB,80ohm,2x1.25x1mm,300mA,TP,FERRITE,0.08ohm	
BD212	3301-001163	CORE-FERRITE BEAD	AB,80ohm,2x1.25x1mm,300mA,TP,FERRITE,0.08ohm	
BD213	3301-001163	CORE-FERRITE BEAD	AB,80ohm,2x1.25x1mm,300mA,TP,FERRITE,0.08ohm	
BD214	3301-001163	CORE-FERRITE BEAD	AB,80ohm,2x1.25x1mm,300mA,TP,FERRITE,0.08ohm	
BD215	3301-001163	CORE-FERRITE BEAD	AB,80ohm,2x1.25x1mm,300mA,TP,FERRITE,0.08ohm	
BD216	3301-001163	CORE-FERRITE BEAD	AB,80ohm,2x1.25x1mm,300mA,TP,FERRITE,0.08ohm	
BD217	3301-001163	CORE-FERRITE BEAD	AB,80ohm,2x1.25x1mm,300mA,TP,FERRITE,0.08ohm	
BD218	3301-001163	CORE-FERRITE BEAD	AB,80ohm,2x1.25x1mm,300mA,TP,FERRITE,0.08ohm	
BD219	3301-001163	CORE-FERRITE BEAD	AB,80ohm,2x1.25x1mm,300mA,TP,FERRITE,0.08ohm	
BD22	3301-001163	CORE-FERRITE BEAD	AB,80ohm,2x1.25x1mm,300mA,TP,FERRITE,0.08ohm	
BD220	3301-001163	CORE-FERRITE BEAD	AB,80ohm,2x1.25x1mm,300mA,TP,FERRITE,0.08ohm	
BD221	3301-001163	CORE-FERRITE BEAD	AB,80ohm,2x1.25x1mm,300mA,TP,FERRITE,0.08ohm	
BD222	3301-001163	CORE-FERRITE BEAD	AB,80ohm,2x1.25x1mm,300mA,TP,FERRITE,0.08ohm	
BD223	3301-001163	CORE-FERRITE BEAD	AB,80ohm,2x1.25x1mm,300mA,TP,FERRITE,0.08ohm	
BD224	3301-001163	CORE-FERRITE BEAD	AB,80ohm,2x1.25x1mm,300mA,TP,FERRITE,0.08ohm	
BD225	3301-001163	CORE-FERRITE BEAD	AB,80ohm,2x1.25x1mm,300mA,TP,FERRITE,0.08ohm	
BD226	3301-001163	CORE-FERRITE BEAD	AB,80ohm,2x1.25x1mm,300mA,TP,FERRITE,0.08ohm	
BD227	3301-001163	CORE-FERRITE BEAD	AB,80ohm,2x1.25x1mm,300mA,TP,FERRITE,0.08ohm	
BD23	3301-001163	CORE-FERRITE BEAD	AB,80ohm,2x1.25x1mm,300mA,TP,FERRITE,0.08ohm	
BD24	3301-001163	CORE-FERRITE BEAD	AB,80ohm,2x1.25x1mm,300mA,TP,FERRITE,0.08ohm	
BD25	3301-001163	CORE-FERRITE BEAD	AB,80ohm,2x1.25x1mm,300mA,TP,FERRITE,0.08ohm	
BD26	3301-001163	CORE-FERRITE BEAD	AB,80ohm,2x1.25x1mm,300mA,TP,FERRITE,0.08ohm	
BD27	3301-001163	CORE-FERRITE BEAD	AB,80ohm,2x1.25x1mm,300mA,TP,FERRITE,0.08ohm	
BD28	3301-001163	CORE-FERRITE BEAD	AB,80ohm,2x1.25x1mm,300mA,TP,FERRITE,0.08ohm	
BD29	3301-001163	CORE-FERRITE BEAD	AB,80ohm,2x1.25x1mm,300mA,TP,FERRITE,0.08ohm	
BD41	3301-001163	CORE-FERRITE BEAD	AB,80ohm,2x1.25x1mm,300mA,TP,FERRITE,0.08ohm	
BD42	3301-001163	CORE-FERRITE BEAD	AB,80ohm,2x1.25x1mm,300mA,TP,FERRITE,0.08ohm	
BD43	3301-001163	CORE-FERRITE BEAD	AB,80ohm,2x1.25x1mm,300mA,TP,FERRITE,0.08ohm	
BD44	3301-001163	CORE-FERRITE BEAD	AB,80ohm,2x1.25x1mm,300mA,TP,FERRITE,0.08ohm	
BD51	3301-001145	CORE-FERRITE BEAD	AB,4.5x1.6x1.6mm,-,-	SNA
BD52	3301-001163	CORE-FERRITE BEAD	AB,80ohm,2x1.25x1mm,300mA,TP,FERRITE,0.08ohm	
C11	2402-001081	C-AL,SMD	100uF,20%,25V,WT,TP,8.3x8.3x10	
C110	2402-001042	C-AL,SMD	100uF,20%,16V,GP,TP,6.6x6.6x5.4mm	
C112	2402-001042	C-AL,SMD	100uF,20%,16V,GP,TP,6.6x6.6x5.4mm	
C113	2402-001042	C-AL,SMD	100uF,20%,16V,GP,TP,6.6x6.6x5.4mm	

Loc. No.	Code No.	Description	Specification	Remarks
C114	2402-001042	C-AL,SMD	100uF,20%,16V,GP,TP,6.6x6.6x5.4mm	
C119	2402-000176	C-AL,SMD	10uF,20%,16V,GP,TP,4.3x4.3x5.4	
C12	2402-001081	C-AL,SMD	100uF,20%,25V,WT,TP,8.3x8.3x10	
C120	2402-000176	C-AL,SMD	10uF,20%,16V,GP,TP,4.3x4.3x5.4	
C121	2402-000176	C-AL,SMD	10uF,20%,16V,GP,TP,4.3x4.3x5.4	
C122	2402-000176	C-AL,SMD	10uF,20%,16V,GP,TP,4.3x4.3x5.4	
C123	2402-000176	C-AL,SMD	10uF,20%,16V,GP,TP,4.3x4.3x5.4	
C125	2203-000903	C-CERAMIC,CHIP	0.0047nF,0.25pF,50V,NPO,TP,1608	
C126	2203-000903	C-CERAMIC,CHIP	0.0047nF,0.25pF,50V,NPO,TP,1608	
C127	2203-000903	C-CERAMIC,CHIP	0.0047nF,0.25pF,50V,NPO,TP,1608	
C13	2402-001044	C-AL,SMD	100uF,20%,25V,-,TP,8.3x8.3x6.3	
C131	2203-005065	C-CERAMIC,CHIP	1000nF,+80-20%,10V,Y5V,TP,1608	
C132	2203-005065	C-CERAMIC,CHIP	1000nF,+80-20%,10V,Y5V,TP,1608	
C133	2203-005065	C-CERAMIC,CHIP	1000nF,+80-20%,10V,Y5V,TP,1608	
C134	2203-005065	C-CERAMIC,CHIP	1000nF,+80-20%,10V,Y5V,TP,1608	
C135	2203-005065	C-CERAMIC,CHIP	1000nF,+80-20%,10V,Y5V,TP,1608	
C136	2203-005065	C-CERAMIC,CHIP	1000nF,+80-20%,10V,Y5V,TP,1608	
C137	2203-005065	C-CERAMIC,CHIP	1000nF,+80-20%,10V,Y5V,TP,1608	
C138	2203-005065	C-CERAMIC,CHIP	1000nF,+80-20%,10V,Y5V,TP,1608	
C139	2203-005065	C-CERAMIC,CHIP	1000nF,+80-20%,10V,Y5V,TP,1608	
C14	2402-001044	C-AL,SMD	100uF,20%,25V,-,TP,8.3x8.3x6.3	
C140	2203-005065	C-CERAMIC,CHIP	1000nF,+80-20%,10V,Y5V,TP,1608	
C141	2203-005065	C-CERAMIC,CHIP	1000nF,+80-20%,10V,Y5V,TP,1608	
C142	2203-000189	C-CERAMIC,CHIP	100nF,+80-20%,25V,Y5V,TP,1608,	
C143	2203-000189	C-CERAMIC,CHIP	100nF,+80-20%,25V,Y5V,TP,1608,	
C144	2203-000189	C-CERAMIC,CHIP	100nF,+80-20%,25V,Y5V,TP,1608,	
C145	2203-000189	C-CERAMIC,CHIP	100nF,+80-20%,25V,Y5V,TP,1608,	
C146	2203-000189	C-CERAMIC,CHIP	100nF,+80-20%,25V,Y5V,TP,1608,	
C147	2203-000189	C-CERAMIC,CHIP	100nF,+80-20%,25V,Y5V,TP,1608,	
C148	2203-000189	C-CERAMIC,CHIP	100nF,+80-20%,25V,Y5V,TP,1608,	
C15	2402-001044	C-AL,SMD	100uF,20%,25V,-,TP,8.3x8.3x6.3	
C150	2203-000189	C-CERAMIC,CHIP	100nF,+80-20%,25V,Y5V,TP,1608,	
C154	2203-000257	C-CERAMIC,CHIP	10nF,10%,50V,X7R,TP,1608	
C155	2203-000257	C-CERAMIC,CHIP	10nF,10%,50V,X7R,TP,1608	
C156	2203-000257	C-CERAMIC,CHIP	10nF,10%,50V,X7R,TP,1608	
C157	2203-000257	C-CERAMIC,CHIP	10nF,10%,50V,X7R,TP,1608	
C158	2203-000257	C-CERAMIC,CHIP	10nF,10%,50V,X7R,TP,1608	
C159	2203-000257	C-CERAMIC,CHIP	10nF,10%,50V,X7R,TP,1608	
C160	2203-000257	C-CERAMIC,CHIP	10nF,10%,50V,X7R,TP,1608	
C162	2203-001155	C-CERAMIC,CHIP	0.068nF,5%,50V,NPO,TP,1608	
C163	2203-000236	C-CERAMIC,CHIP	0.1nF,5%,50V,NPO,TP,1608	
C17	2402-001042	C-AL,SMD	100uF,20%,16V,GP,TP,6.6x6.6x5.4mm	
C18	2402-001042	C-AL,SMD	100uF,20%,16V,GP,TP,6.6x6.6x5.4mm	
C19	2402-001042	C-AL,SMD	100uF,20%,16V,GP,TP,6.6x6.6x5.4mm	
C21	2402-000176	C-AL,SMD	10uF,20%,16V,GP,TP,4.3x4.3x5.4	
C210	2203-001417	C-CERAMIC,CHIP	0.036nF,5%,50V,NPO,TP,1608	
C211	2203-005065	C-CERAMIC,CHIP	1000nF,+80-20%,10V,Y5V,TP,1608	
C212	2203-005065	C-CERAMIC,CHIP	1000nF,+80-20%,10V,Y5V,TP,1608	
C213	2203-005065	C-CERAMIC,CHIP	1000nF,+80-20%,10V,Y5V,TP,1608	
C214	2203-005065	C-CERAMIC,CHIP	1000nF,+80-20%,10V,Y5V,TP,1608	
C215	2203-000189	C-CERAMIC,CHIP	100nF,+80-20%,25V,Y5V,TP,1608,	
C216	2203-000189	C-CERAMIC,CHIP	100nF,+80-20%,25V,Y5V,TP,1608,	
C217	2203-000189	C-CERAMIC,CHIP	100nF,+80-20%,25V,Y5V,TP,1608,	
C22	2402-000176	C-AL,SMD	10uF,20%,16V,GP,TP,4.3x4.3x5.4	
C220	2203-000189	C-CERAMIC,CHIP	100nF,+80-20%,25V,Y5V,TP,1608,	
C221	2203-000189	C-CERAMIC,CHIP	100nF,+80-20%,25V,Y5V,TP,1608,	
C222	2203-000189	C-CERAMIC,CHIP	100nF,+80-20%,25V,Y5V,TP,1608,	
C223	2203-000784	C-CERAMIC,CHIP	0.33nF,5%,50V,NPO,TP,2012	
C224	2203-000784	C-CERAMIC,CHIP	0.33nF,5%,50V,NPO,TP,2012	

Loc. No.	Code No.	Description	Specification	Remarks
C225	2203-000257	C-CERAMIC,CHIP	10nF,10%,50V,X7R,TP,1608	
C226	2203-000236	C-CERAMIC,CHIP	0.1nF,5%,50V,NPO,TP,1608	
C227	2203-000236	C-CERAMIC,CHIP	0.1nF,5%,50V,NPO,TP,1608	
C228	2203-000236	C-CERAMIC,CHIP	0.1nF,5%,50V,NPO,TP,1608	
C229	2203-000236	C-CERAMIC,CHIP	0.1nF,5%,50V,NPO,TP,1608	
C23	2402-000176	C-AL,SMD	10uF,20%,16V,GP,TP,4.3x4.3x5.4	
C230	2203-000236	C-CERAMIC,CHIP	0.1nF,5%,50V,NPO,TP,1608	
C231	2203-000236	C-CERAMIC,CHIP	0.1nF,5%,50V,NPO,TP,1608	
C232	2203-000236	C-CERAMIC,CHIP	0.1nF,5%,50V,NPO,TP,1608	
C233	2203-000236	C-CERAMIC,CHIP	0.1nF,5%,50V,NPO,TP,1608	
C234	2203-000236	C-CERAMIC,CHIP	0.1nF,5%,50V,NPO,TP,1608	
C24	2402-001042	C-AL,SMD	100uF,20%,16V,GP,TP,6.6x6.6x5.4mm	
C25	2402-001006	C-AL,SMD	4.7uF,20%,25V,GP,TP,3.6x6.3x3.	
C26	2402-001006	C-AL,SMD	4.7uF,20%,25V,GP,TP,3.6x6.3x3.	
C27	2203-001077	C-CERAMIC,CHIP	0.056nF,5%,50V,NPO,TP,2012	
C28	2203-001077	C-CERAMIC,CHIP	0.056nF,5%,50V,NPO,TP,2012	
C29	2203-001417	C-CERAMIC,CHIP	0.036nF,5%,50V,NPO,TP,1608	
C31	2402-000176	C-AL,SMD	10uF,20%,16V,GP,TP,4.3x4.3x5.4	
C310	2402-000176	C-AL,SMD	10uF,20%,16V,GP,TP,4.3x4.3x5.4	
C3103	2402-000176	C-AL,SMD	10uF,20%,16V,GP,TP,4.3x4.3x5.4	
C311	2402-000176	C-AL,SMD	10uF,20%,16V,GP,TP,4.3x4.3x5.4	
C312	2402-000176	C-AL,SMD	10uF,20%,16V,GP,TP,4.3x4.3x5.4	
C313	2402-000176	C-AL,SMD	10uF,20%,16V,GP,TP,4.3x4.3x5.4	
C314	2402-001006	C-AL,SMD	4.7uF,20%,25V,GP,TP,3.6x6.3x3.	
C315	2402-001006	C-AL,SMD	4.7uF,20%,25V,GP,TP,3.6x6.3x3.	
C316	2409-001035	C-ORGANIC	10uF,20%,10V,LZ,TP,5.4x4.3x4.3mm,1	
C317	2402-000108	C-AL,SMD	10uF,20%,16V,WT,TP,4.3x4.3x5.4	
C318	2402-000179	C-AL,SMD	47uF,20%,16V,GP,TP,6.6x6.6x5.4	
C319	2402-000179	C-AL,SMD	47uF,20%,16V,GP,TP,6.6x6.6x5.4	
C32	2203-000697	C-CERAMIC,CHIP	0.002nF,0.25pF,50V,NPO,TP,1608	
C321	2203-005065	C-CERAMIC,CHIP	1000nF,+80-20%,10V,Y5V,TP,1608	
C3246	2402-000176	C-AL,SMD	10uF,20%,16V,GP,TP,4.3x4.3x5.4	
C3285	2402-000176	C-AL,SMD	10uF,20%,16V,GP,TP,4.3x4.3x5.4	
C329	2203-000189	C-CERAMIC,CHIP	100nF,+80-20%,25V,Y5V,TP,1608,	
C33	2203-000697	C-CERAMIC,CHIP	0.002nF,0.25pF,50V,NPO,TP,1608	
C330	2203-000189	C-CERAMIC,CHIP	100nF,+80-20%,25V,Y5V,TP,1608,	
C3300	2402-000176	C-AL,SMD	10uF,20%,16V,GP,TP,4.3x4.3x5.4	
C331	2203-000189	C-CERAMIC,CHIP	100nF,+80-20%,25V,Y5V,TP,1608,	
C332	2203-000189	C-CERAMIC,CHIP	100nF,+80-20%,25V,Y5V,TP,1608,	
C333	2203-000189	C-CERAMIC,CHIP	100nF,+80-20%,25V,Y5V,TP,1608,	
C334	2203-000189	C-CERAMIC,CHIP	100nF,+80-20%,25V,Y5V,TP,1608,	
C335	2203-000189	C-CERAMIC,CHIP	100nF,+80-20%,25V,Y5V,TP,1608,	
C336	2203-000189	C-CERAMIC,CHIP	100nF,+80-20%,25V,Y5V,TP,1608,	
C337	2203-000189	C-CERAMIC,CHIP	100nF,+80-20%,25V,Y5V,TP,1608,	
C338	2203-000189	C-CERAMIC,CHIP	100nF,+80-20%,25V,Y5V,TP,1608,	
C339	2203-000189	C-CERAMIC,CHIP	100nF,+80-20%,25V,Y5V,TP,1608,	
C3390	2402-000176	C-AL,SMD	10uF,20%,16V,GP,TP,4.3x4.3x5.4	
C34	2203-000697	C-CERAMIC,CHIP	0.002nF,0.25pF,50V,NPO,TP,1608	
C340	2203-000189	C-CERAMIC,CHIP	100nF,+80-20%,25V,Y5V,TP,1608,	
C341	2203-000189	C-CERAMIC,CHIP	100nF,+80-20%,25V,Y5V,TP,1608,	
C342	2203-000189	C-CERAMIC,CHIP	100nF,+80-20%,25V,Y5V,TP,1608,	
C343	2203-000189	C-CERAMIC,CHIP	100nF,+80-20%,25V,Y5V,TP,1608,	
C344	2203-000189	C-CERAMIC,CHIP	100nF,+80-20%,25V,Y5V,TP,1608,	
C345	2203-000189	C-CERAMIC,CHIP	100nF,+80-20%,25V,Y5V,TP,1608,	
C346	2203-000189	C-CERAMIC,CHIP	100nF,+80-20%,25V,Y5V,TP,1608,	
C347	2203-000189	C-CERAMIC,CHIP	100nF,+80-20%,25V,Y5V,TP,1608,	
C348	2203-000189	C-CERAMIC,CHIP	100nF,+80-20%,25V,Y5V,TP,1608,	
C349	2203-000189	C-CERAMIC,CHIP	100nF,+80-20%,25V,Y5V,TP,1608,	
C35	2203-005065	C-CERAMIC,CHIP	1000nF,+80-20%,10V,Y5V,TP,1608	

Loc. No.	Code No.	Description	Specification	Remarks
C350	2203-000189	C-CERAMIC,CHIP	100nF,+80-20%,25V,Y5V,TP,1608,	
C351	2203-000189	C-CERAMIC,CHIP	100nF,+80-20%,25V,Y5V,TP,1608,	
C352	2203-000189	C-CERAMIC,CHIP	100nF,+80-20%,25V,Y5V,TP,1608,	
C353	2203-000189	C-CERAMIC,CHIP	100nF,+80-20%,25V,Y5V,TP,1608,	
C354	2203-000189	C-CERAMIC,CHIP	100nF,+80-20%,25V,Y5V,TP,1608,	
C355	2203-000189	C-CERAMIC,CHIP	100nF,+80-20%,25V,Y5V,TP,1608,	
C3552	2402-000176	C-AL,SMD	10uF,20%,16V,GP,TP,4.3x4.3x5.4	
C356	2203-000189	C-CERAMIC,CHIP	100nF,+80-20%,25V,Y5V,TP,1608,	
C357	2203-000189	C-CERAMIC,CHIP	100nF,+80-20%,25V,Y5V,TP,1608,	
C358	2203-000189	C-CERAMIC,CHIP	100nF,+80-20%,25V,Y5V,TP,1608,	
C359	2203-000189	C-CERAMIC,CHIP	100nF,+80-20%,25V,Y5V,TP,1608,	
C36	2203-005065	C-CERAMIC,CHIP	1000nF,+80-20%,10V,Y5V,TP,1608	
C360	2203-000189	C-CERAMIC,CHIP	100nF,+80-20%,25V,Y5V,TP,1608,	
C361	2203-000189	C-CERAMIC,CHIP	100nF,+80-20%,25V,Y5V,TP,1608,	
C362	2203-000189	C-CERAMIC,CHIP	100nF,+80-20%,25V,Y5V,TP,1608,	
C363	2203-000189	C-CERAMIC,CHIP	100nF,+80-20%,25V,Y5V,TP,1608,	
C365	2203-000440	C-CERAMIC,CHIP	1nF,10%,50V,X7R,TP,1608,-	
C366	2203-000440	C-CERAMIC,CHIP	1nF,10%,50V,X7R,TP,1608,-	
C367	2203-000440	C-CERAMIC,CHIP	1nF,10%,50V,X7R,TP,1608,-	
C368	2203-000440	C-CERAMIC,CHIP	1nF,10%,50V,X7R,TP,1608,-	
C3688	2402-000176	C-AL,SMD	10uF,20%,16V,GP,TP,4.3x4.3x5.4	
C369	2203-000440	C-CERAMIC,CHIP	1nF,10%,50V,X7R,TP,1608,-	
C37	2203-005065	C-CERAMIC,CHIP	1000nF,+80-20%,10V,Y5V,TP,1608	
C370	2203-000440	C-CERAMIC,CHIP	1nF,10%,50V,X7R,TP,1608,-	
C371	2203-000440	C-CERAMIC,CHIP	1nF,10%,50V,X7R,TP,1608,-	
C372	2203-005005	C-CERAMIC,CHIP	100nF,10%,16V,X7R,TP,1608	
C373	2203-000257	C-CERAMIC,CHIP	10nF,10%,50V,X7R,TP,1608	
C374	2203-000257	C-CERAMIC,CHIP	10nF,10%,50V,X7R,TP,1608	
C375	2203-000257	C-CERAMIC,CHIP	10nF,10%,50V,X7R,TP,1608	
C376	2203-000257	C-CERAMIC,CHIP	10nF,10%,50V,X7R,TP,1608	
C377	2203-000257	C-CERAMIC,CHIP	10nF,10%,50V,X7R,TP,1608	
C378	2203-000257	C-CERAMIC,CHIP	10nF,10%,50V,X7R,TP,1608	
C3782	2402-000176	C-AL,SMD	10uF,20%,16V,GP,TP,4.3x4.3x5.4	
C379	2203-000257	C-CERAMIC,CHIP	10nF,10%,50V,X7R,TP,1608	
C380	2203-000257	C-CERAMIC,CHIP	10nF,10%,50V,X7R,TP,1608	
C381	2203-000257	C-CERAMIC,CHIP	10nF,10%,50V,X7R,TP,1608	
C382	2203-000257	C-CERAMIC,CHIP	10nF,10%,50V,X7R,TP,1608	
C383	2203-000257	C-CERAMIC,CHIP	10nF,10%,50V,X7R,TP,1608	
C384	2203-000384	C-CERAMIC,CHIP	0.015nF,5%,50V,NPO,TP,1608	
C3890	2402-000144	C-AL,SMD	3.3uF,20%,50V,GP,TP,4.3x4.3x5.	
C39	2203-000189	C-CERAMIC,CHIP	100nF,+80-20%,25V,Y5V,TP,1608,	
C410	2203-005065	C-CERAMIC,CHIP	1000nF,+80-20%,10V,Y5V,TP,1608	
C411	2203-005065	C-CERAMIC,CHIP	1000nF,+80-20%,10V,Y5V,TP,1608	
C412	2203-005065	C-CERAMIC,CHIP	1000nF,+80-20%,10V,Y5V,TP,1608	
C4128	2402-001042	C-AL,SMD	100uF,20%,16V,GP,TP,6.6x6.6x5.4mm	
C413	2203-005065	C-CERAMIC,CHIP	1000nF,+80-20%,10V,Y5V,TP,1608	
C414	2203-005065	C-CERAMIC,CHIP	1000nF,+80-20%,10V,Y5V,TP,1608	
C415	2203-005065	C-CERAMIC,CHIP	1000nF,+80-20%,10V,Y5V,TP,1608	
C416	2203-005065	C-CERAMIC,CHIP	1000nF,+80-20%,10V,Y5V,TP,1608	
C417	2203-005065	C-CERAMIC,CHIP	1000nF,+80-20%,10V,Y5V,TP,1608	
C418	2203-005065	C-CERAMIC,CHIP	1000nF,+80-20%,10V,Y5V,TP,1608	
C4186	2402-001042	C-AL,SMD	100uF,20%,16V,GP,TP,6.6x6.6x5.4mm	
C419	2203-005065	C-CERAMIC,CHIP	1000nF,+80-20%,10V,Y5V,TP,1608	
C420	2203-005065	C-CERAMIC,CHIP	1000nF,+80-20%,10V,Y5V,TP,1608	
C421	2203-000189	C-CERAMIC,CHIP	100nF,+80-20%,25V,Y5V,TP,1608,	
C422	2203-000189	C-CERAMIC,CHIP	100nF,+80-20%,25V,Y5V,TP,1608,	
C423	2203-000189	C-CERAMIC,CHIP	100nF,+80-20%,25V,Y5V,TP,1608,	
C424	2203-000440	C-CERAMIC,CHIP	1nF,10%,50V,X7R,TP,1608,-	
C4276	2402-000176	C-AL,SMD	10uF,20%,16V,GP,TP,4.3x4.3x5.4	

Loc. No.	Code No.	Description	Specification	Remarks
C43	2203-000972	C-CERAMIC,CHIP	47nF,10%,16V,X7R,TP,1608	
C430	2203-000280	C-CERAMIC,CHIP	0.01nF,0.5pF,50V,NP0,TP,1608	
C431	2203-000998	C-CERAMIC,CHIP	0.047nF,5%,50V,NP0,TP,1608	
C432	2203-000189	C-CERAMIC,CHIP	100nF,+80-20%,25V,Y5V,TP,1608,	
C433	2203-000189	C-CERAMIC,CHIP	100nF,+80-20%,25V,Y5V,TP,1608,	
C434	2203-000189	C-CERAMIC,CHIP	100nF,+80-20%,25V,Y5V,TP,1608,	
C437	2203-000189	C-CERAMIC,CHIP	100nF,+80-20%,25V,Y5V,TP,1608,	
C438	2203-000189	C-CERAMIC,CHIP	100nF,+80-20%,25V,Y5V,TP,1608,	
C439	2203-000257	C-CERAMIC,CHIP	10nF,10%,50V,X7R,TP,1608	
C44	2203-000972	C-CERAMIC,CHIP	47nF,10%,16V,X7R,TP,1608	
C440	2203-000257	C-CERAMIC,CHIP	10nF,10%,50V,X7R,TP,1608	
C441	2203-000257	C-CERAMIC,CHIP	10nF,10%,50V,X7R,TP,1608	
C442	2203-000257	C-CERAMIC,CHIP	10nF,10%,50V,X7R,TP,1608	
C443	2203-000552	C-CERAMIC,CHIP	0.02nF,5%,50V,NP0,TP,1608	
C444	2203-000552	C-CERAMIC,CHIP	0.02nF,5%,50V,NP0,TP,1608	
C445	2203-000626	C-CERAMIC,CHIP	0.022nF,5%,50V,NP0,TP,1608	
C446	2203-000626	C-CERAMIC,CHIP	0.022nF,5%,50V,NP0,TP,1608	
C447	2203-000491	C-CERAMIC,CHIP	2.2nF,10%,50V,X7R,TP,1608,-	
C448	2203-000140	C-CERAMIC,CHIP	1.5nF,10%,50V,X7R,TP,1608,-	
C449	2203-001656	C-CERAMIC,CHIP	0.47nF,5%,50V,NP0,TP,1608	
C45	2402-001042	C-AL,SMD	100uF,20%,16V,GP,TP,6.6x6.6x5.4mm	
C450	2203-000972	C-CERAMIC,CHIP	47nF,10%,16V,X7R,TP,1608	
C451	2203-000972	C-CERAMIC,CHIP	47nF,10%,16V,X7R,TP,1608	
C452	2203-000972	C-CERAMIC,CHIP	47nF,10%,16V,X7R,TP,1608	
C46	2402-000135	C-AL,SMD	22uF,20%,16V,GP,TP,5.3x5.3x5.4	
C47	2203-005065	C-CERAMIC,CHIP	1000nF,+80-20%,10V,Y5V,TP,1608	
C4728	2402-000176	C-AL,SMD	10uF,20%,16V,GP,TP,4.3x4.3x5.4	
C48	2203-005065	C-CERAMIC,CHIP	1000nF,+80-20%,10V,Y5V,TP,1608	
C4845	2203-000972	C-CERAMIC,CHIP	47nF,10%,16V,X7R,TP,1608	
C49	2203-005065	C-CERAMIC,CHIP	1000nF,+80-20%,10V,Y5V,TP,1608	
C51	2203-000140	C-CERAMIC,CHIP	1.5nF,10%,50V,X7R,TP,1608,-	
C510	2402-001042	C-AL,SMD	100uF,20%,16V,GP,TP,6.6x6.6x5.4mm	
C511	2402-001042	C-AL,SMD	100uF,20%,16V,GP,TP,6.6x6.6x5.4mm	
C512	2402-001042	C-AL,SMD	100uF,20%,16V,GP,TP,6.6x6.6x5.4mm	
C513	2402-001042	C-AL,SMD	100uF,20%,16V,GP,TP,6.6x6.6x5.4mm	
C514	2402-001042	C-AL,SMD	100uF,20%,16V,GP,TP,6.6x6.6x5.4mm	
C515	2402-001157	C-AL,SMD	0.33uF,20%,50V,GP,TP,4X5.2MM	
C516	2402-001157	C-AL,SMD	0.33uF,20%,50V,GP,TP,4X5.2MM	
C517	2402-001006	C-AL,SMD	4.7uF,20%,25V,GP,TP,3.6x6.3x3.	
C518	2402-001006	C-AL,SMD	4.7uF,20%,25V,GP,TP,3.6x6.3x3.	
C519	2402-001006	C-AL,SMD	4.7uF,20%,25V,GP,TP,3.6x6.3x3.	
C52	2203-000140	C-CERAMIC,CHIP	1.5nF,10%,50V,X7R,TP,1608,-	
C520	2402-001006	C-AL,SMD	4.7uF,20%,25V,GP,TP,3.6x6.3x3.	
C521	2402-000170	C-AL,SMD	1uF,20%,50V,GP,TP,4.3x4.3x5.4,	
C522	2203-001077	C-CERAMIC,CHIP	0.056nF,5%,50V,NP0,TP,2012	
C523	2203-001077	C-CERAMIC,CHIP	0.056nF,5%,50V,NP0,TP,2012	
C5239	2402-000176	C-AL,SMD	10uF,20%,16V,GP,TP,4.3x4.3x5.4	
C524	2203-001077	C-CERAMIC,CHIP	0.056nF,5%,50V,NP0,TP,2012	
C5244	2402-000144	C-AL,SMD	3.3uF,20%,50V,GP,TP,4.3x4.3x5.	
C5247	2402-001042	C-AL,SMD	100uF,20%,16V,GP,TP,6.6x6.6x5.4mm	
C525	2203-000903	C-CERAMIC,CHIP	0.0047nF,0.25pF,50V,NP0,TP,1608	
C526	2203-000903	C-CERAMIC,CHIP	0.0047nF,0.25pF,50V,NP0,TP,1608	
C527	2203-000189	C-CERAMIC,CHIP	100nF,+80-20%,25V,Y5V,TP,1608,	
C528	2203-000189	C-CERAMIC,CHIP	100nF,+80-20%,25V,Y5V,TP,1608,	
C529	2203-000189	C-CERAMIC,CHIP	100nF,+80-20%,25V,Y5V,TP,1608,	
C53	2402-000176	C-AL,SMD	10uF,20%,16V,GP,TP,4.3x4.3x5.4	
C530	2203-000189	C-CERAMIC,CHIP	100nF,+80-20%,25V,Y5V,TP,1608,	
C531	2203-000189	C-CERAMIC,CHIP	100nF,+80-20%,25V,Y5V,TP,1608,	
C532	2203-000189	C-CERAMIC,CHIP	100nF,+80-20%,25V,Y5V,TP,1608,	



Loc. No.	Code No.	Description	Specification	Remarks
C533	2203-000189	C-CERAMIC,CHIP	100nF,+80-20%,25V,Y5V,TP,1608,	
C534	2203-000189	C-CERAMIC,CHIP	100nF,+80-20%,25V,Y5V,TP,1608,	
C535	2203-000189	C-CERAMIC,CHIP	100nF,+80-20%,25V,Y5V,TP,1608,	
C536	2203-000189	C-CERAMIC,CHIP	100nF,+80-20%,25V,Y5V,TP,1608,	
C537	2203-000189	C-CERAMIC,CHIP	100nF,+80-20%,25V,Y5V,TP,1608,	
C538	2203-000189	C-CERAMIC,CHIP	100nF,+80-20%,25V,Y5V,TP,1608,	
C539	2203-000189	C-CERAMIC,CHIP	100nF,+80-20%,25V,Y5V,TP,1608,	
C54	2402-000176	C-AL,SMD	10uF,20%,16V,GP,TP,4.3x4.3x5.4	
C540	2203-000440	C-CERAMIC,CHIP	1nF,10%,50V,X7R,TP,1608,-	
C541	2203-000440	C-CERAMIC,CHIP	1nF,10%,50V,X7R,TP,1608,-	
C542	2203-000140	C-CERAMIC,CHIP	1.5nF,10%,50V,X7R,TP,1608,-	
C543	2203-000140	C-CERAMIC,CHIP	1.5nF,10%,50V,X7R,TP,1608,-	
C544	2203-000140	C-CERAMIC,CHIP	1.5nF,10%,50V,X7R,TP,1608,-	
C545	2203-000236	C-CERAMIC,CHIP	0.1nF,5%,50V,NPO,TP,1608	
C546	2203-000236	C-CERAMIC,CHIP	0.1nF,5%,50V,NPO,TP,1608	
C547	2203-000236	C-CERAMIC,CHIP	0.1nF,5%,50V,NPO,TP,1608	
C548	2203-000236	C-CERAMIC,CHIP	0.1nF,5%,50V,NPO,TP,1608	
C549	2203-000236	C-CERAMIC,CHIP	0.1nF,5%,50V,NPO,TP,1608	
C55	2402-000176	C-AL,SMD	10uF,20%,16V,GP,TP,4.3x4.3x5.4	
C550	2203-000236	C-CERAMIC,CHIP	0.1nF,5%,50V,NPO,TP,1608	
C551	2402-001157	C-AL,SMD	0.33uF,20%,50V,GP,TP,4X5.2MM	
C552	2402-001157	C-AL,SMD	0.33uF,20%,50V,GP,TP,4X5.2MM	
C553	2203-001656	C-CERAMIC,CHIP	0.47nF,5%,50V,NPO,TP,1608	
C554	2203-001656	C-CERAMIC,CHIP	0.47nF,5%,50V,NPO,TP,1608	
C555	2203-001656	C-CERAMIC,CHIP	0.47nF,5%,50V,NPO,TP,1608	
C556	2203-001391	C-CERAMIC,CHIP	150nF,10%,25V,X7R,TP,2012,-	
C557	2203-001391	C-CERAMIC,CHIP	150nF,10%,25V,X7R,TP,2012,-	
C558	2203-001391	C-CERAMIC,CHIP	150nF,10%,25V,X7R,TP,2012,-	
C559	2203-001391	C-CERAMIC,CHIP	150nF,10%,25V,X7R,TP,2012,-	
C56	2402-000176	C-AL,SMD	10uF,20%,16V,GP,TP,4.3x4.3x5.4	
C560	2203-001391	C-CERAMIC,CHIP	150nF,10%,25V,X7R,TP,2012,-	
C561	2203-001391	C-CERAMIC,CHIP	150nF,10%,25V,X7R,TP,2012,-	
C562	2203-001391	C-CERAMIC,CHIP	150nF,10%,25V,X7R,TP,2012,-	
C563	2203-001391	C-CERAMIC,CHIP	150nF,10%,25V,X7R,TP,2012,-	
C564	2203-001391	C-CERAMIC,CHIP	150nF,10%,25V,X7R,TP,2012,-	
C565	2203-001391	C-CERAMIC,CHIP	150nF,10%,25V,X7R,TP,2012,-	
C566	2203-001391	C-CERAMIC,CHIP	150nF,10%,25V,X7R,TP,2012,-	
C567	2203-001391	C-CERAMIC,CHIP	150nF,10%,25V,X7R,TP,2012,-	
C568	2203-001391	C-CERAMIC,CHIP	150nF,10%,25V,X7R,TP,2012,-	
C569	2203-001391	C-CERAMIC,CHIP	150nF,10%,25V,X7R,TP,2012,-	
C57	2402-000176	C-AL,SMD	10uF,20%,16V,GP,TP,4.3x4.3x5.4	
C570	2203-001607	C-CERAMIC,CHIP	0.22nF,5%,50V,NPO,TP,1608	
C571	2203-000701	C-CERAMIC,CHIP	0.002nF,0.25pF,50V,NPO,TP,2012	
C572	2203-000701	C-CERAMIC,CHIP	0.002nF,0.25pF,50V,NPO,TP,2012	
C573	2203-000972	C-CERAMIC,CHIP	47nF,10%,16V,X7R,TP,1608	
C574	2203-000716	C-CERAMIC,CHIP	3.3nF,10%,50V,X7R,TP,2012,-	
C575	2203-000716	C-CERAMIC,CHIP	3.3nF,10%,50V,X7R,TP,2012,-	
C576	2203-002793	C-CERAMIC,CHIP	1000nF,+80-20%,25V,Y5V,TP,2012	
C58	2402-001042	C-AL,SMD	100uF,20%,16V,GP,TP,6.6x6.6x5.4mm	
C59	2402-001042	C-AL,SMD	100uF,20%,16V,GP,TP,6.6x6.6x5.4mm	
C61	2402-000176	C-AL,SMD	10uF,20%,16V,GP,TP,4.3x4.3x5.4	
C611	2203-000189	C-CERAMIC,CHIP	100nF,+80-20%,25V,Y5V,TP,1608,	
C612	2203-000189	C-CERAMIC,CHIP	100nF,+80-20%,25V,Y5V,TP,1608,	
C613	2203-000189	C-CERAMIC,CHIP	100nF,+80-20%,25V,Y5V,TP,1608,	
C614	2203-000189	C-CERAMIC,CHIP	100nF,+80-20%,25V,Y5V,TP,1608,	
C615	2203-000189	C-CERAMIC,CHIP	100nF,+80-20%,25V,Y5V,TP,1608,	
C616	2203-000189	C-CERAMIC,CHIP	100nF,+80-20%,25V,Y5V,TP,1608,	
C617	2203-000189	C-CERAMIC,CHIP	100nF,+80-20%,25V,Y5V,TP,1608,	
C618	2203-000189	C-CERAMIC,CHIP	100nF,+80-20%,25V,Y5V,TP,1608,	

Loc. No.	Code No.	Description	Specification	Remarks
C619	2203-000189	C-CERAMIC,CHIP	100nF,+80-20%,25V,Y5V,TP,1608,	
C62	2402-000176	C-AL,SMD	10uF,20%,16V,GP,TP,4.3x4.3x5.4	
C620	2203-000189	C-CERAMIC,CHIP	100nF,+80-20%,25V,Y5V,TP,1608,	
C621	2203-000189	C-CERAMIC,CHIP	100nF,+80-20%,25V,Y5V,TP,1608,	
C622	2203-000189	C-CERAMIC,CHIP	100nF,+80-20%,25V,Y5V,TP,1608,	
C63	2402-000176	C-AL,SMD	10uF,20%,16V,GP,TP,4.3x4.3x5.4	
C635	2203-000440	C-CERAMIC,CHIP	1nF,10%,50V,X7R,TP,1608,-	
C637	2203-000440	C-CERAMIC,CHIP	1nF,10%,50V,X7R,TP,1608,-	
C638	2203-000440	C-CERAMIC,CHIP	1nF,10%,50V,X7R,TP,1608,-	
C639	2203-000440	C-CERAMIC,CHIP	1nF,10%,50V,X7R,TP,1608,-	
C640	2203-000440	C-CERAMIC,CHIP	1nF,10%,50V,X7R,TP,1608,-	
C65	2402-000135	C-AL,SMD	22uF,20%,16V,GP,TP,5.3x5.3x5.4	
C67	2203-000189	C-CERAMIC,CHIP	100nF,+80-20%,25V,Y5V,TP,1608,	
C68	2203-000189	C-CERAMIC,CHIP	100nF,+80-20%,25V,Y5V,TP,1608,	
C777	2402-001006	C-AL,SMD	4.7uF,20%,25V,GP,TP,3.6x6.3x3.	
C782	2402-001006	C-AL,SMD	4.7uF,20%,25V,GP,TP,3.6x6.3x3.	
CA311	2503-001018	C-NETWORK	15PFX4,10%,50V,-	
CA312	2503-001018	C-NETWORK	15PFX4,10%,50V,-	
CA313	2503-001018	C-NETWORK	15PFX4,10%,50V,-	
CA314	2503-001018	C-NETWORK	15PFX4,10%,50V,-	
CA315	2503-001018	C-NETWORK	15PFX4,10%,50V,-	
CA330	2503-001018	C-NETWORK	15PFX4,10%,50V,-	
CN13	3711-002046	CONNECTOR-HEADER	3WALL,12P,1R,1.25mm,SMD-S,SN	SNA
CN21	3711-002127	CONNECTOR-HEADER	BOX,8P,1R,1.25mm,SMD-A,SN	SNA
CN22	3711-002049	CONNECTOR-HEADER	BOX,6P,1R,1.25mm,SMD-A,SN	SNA
CN23	3711-002049	CONNECTOR-HEADER	BOX,6P,1R,1.25mm,SMD-A,SN	SNA
CN26	3711-000556	CONNECTOR-HEADER	BOX,12P,1R,1.25mm,SMD-A,SN	SNA
CN27	3711-000556	CONNECTOR-HEADER	BOX,12P,1R,1.25mm,SMD-A,SN	SNA
CN61	3711-003161	CONNECTOR-HEADER	BOX,20P,1R,1.25mm,ANGLE,SN	SNA
D11	0402-000553	DIODE-RECTIFIER	SS24,40V,2.0A,DO-214AA	
D12	0402-000553	DIODE-RECTIFIER	SS24,40V,2.0A,DO-214AA	
D14	0403-000579	DIODE-ZENER	BZX84C5V1,5.1V,5%,200mW,SOT-23	
D15	0401-001056	DIODE-SWITCHING	MMBD4148SE,75V,200MA,SOT-23,TP	
D16	0401-001056	DIODE-SWITCHING	MMBD4148SE,75V,200MA,SOT-23,TP	
D17	0401-001056	DIODE-SWITCHING	MMBD4148SE,75V,200MA,SOT-23,TP	
D18	0403-001435	DIODE-ZENER	QZX363C5V6,5.32-5.88,200MW,SOT-363,TP	
D21	0403-001052	DIODE-ZENER	RD8.2MB,8.2V,7.7-8.64V,200mW,S	
D210	0403-000579	DIODE-ZENER	BZX84C5V1,5.1V,5%,200mW,SOT-23	
D211	0403-000579	DIODE-ZENER	BZX84C5V1,5.1V,5%,200mW,SOT-23	
D22	0403-001052	DIODE-ZENER	RD8.2MB,8.2V,7.7-8.64V,200mW,S	
D220	0403-001052	DIODE-ZENER	RD8.2MB,8.2V,7.7-8.64V,200mW,S	
D23	0403-001052	DIODE-ZENER	RD8.2MB,8.2V,7.7-8.64V,200mW,S	
D237	0403-001052	DIODE-ZENER	RD8.2MB,8.2V,7.7-8.64V,200mW,S	
D238	0403-001435	DIODE-ZENER	QZX363C5V6,5.32-5.88,200MW,SOT-363,TP	
D239	0403-001052	DIODE-ZENER	RD8.2MB,8.2V,7.7-8.64V,200mW,S	
D24	0403-001435	DIODE-ZENER	QZX363C5V6,5.32-5.88,200MW,SOT-363,TP	
D240	0403-001052	DIODE-ZENER	RD8.2MB,8.2V,7.7-8.64V,200mW,S	
D25	0403-001052	DIODE-ZENER	RD8.2MB,8.2V,7.7-8.64V,200mW,S	
D26	0403-001052	DIODE-ZENER	RD8.2MB,8.2V,7.7-8.64V,200mW,S	
D27	0403-001052	DIODE-ZENER	RD8.2MB,8.2V,7.7-8.64V,200mW,S	
D29	0403-000579	DIODE-ZENER	BZX84C5V1,5.1V,5%,200mW,SOT-23	
D41	0401-001056	DIODE-SWITCHING	MMBD4148SE,75V,200MA,SOT-23,TP	
D43	0403-001382	DIODE-ZENER	UDZ33B,32.15-33.79V,200mW,SOD-323,TP	
D51	0403-001435	DIODE-ZENER	QZX363C5V6,5.32-5.88,200MW,SOT-363,TP	
D55	0403-001052	DIODE-ZENER	RD8.2MB,8.2V,7.7-8.64V,200mW,S	
DB21	3301-001163	CORE-FERRITE BEAD	AB,80ohm,2x1.25x1mm,300mA,TP,FERRITE,0.08ohm	
FT11	3301-001145	CORE-FERRITE BEAD	AB,4.5x1.6x1.6mm,-,-	SNA
FT12	3301-001145	CORE-FERRITE BEAD	AB,4.5x1.6x1.6mm,-,-	SNA
FT13	3301-001145	CORE-FERRITE BEAD	AB,4.5x1.6x1.6mm,-,-	SNA

Loc. No.	Code No.	Description	Specification	Remarks
FT14	3301-001145	CORE-FERRITE BEAD	AB,4.5x1.6x1.6mm,-,-	SNA
FT31	2901-001133	FILTER-EMI SMD	25V,0.15A,-,33pF,2x1.25x0.8mm,TP	
FT32	3301-001145	CORE-FERRITE BEAD	AB,4.5x1.6x1.6mm,-,-	SNA
FT51	3301-001145	CORE-FERRITE BEAD	AB,4.5x1.6x1.6mm,-,-	SNA
FT52	3301-001145	CORE-FERRITE BEAD	AB,4.5x1.6x1.6mm,-,-	SNA
FT61	3301-001145	CORE-FERRITE BEAD	AB,4.5x1.6x1.6mm,-,-	SNA
FT62	3301-001145	CORE-FERRITE BEAD	AB,4.5x1.6x1.6mm,-,-	SNA
FT63	3301-001145	CORE-FERRITE BEAD	AB,4.5x1.6x1.6mm,-,-	SNA
FT64	3301-001145	CORE-FERRITE BEAD	AB,4.5x1.6x1.6mm,-,-	SNA
IC109	1203-002410	IC-POSI.ADJUST REG.	KA317MR,D-PAK,3P,240MIL,PLASTIC,40V,-,0TO+125C,0.5A,1.2/1.3V,TP	
IC11	1203-001448	IC-SWITCH VOL. REG.	2596,TO-263,5P,-,PLASTIC,4.750	
IC110	0803-000117	IC-TTL	74F14,INVERTER,SOP,14P,150MIL,	
IC111	0505-001170	FET-SILICON	SI9933ADY-T1 P,-,20V,3.4A,0.06ohm,2W,SO-8	
IC112	0505-001170	FET-SILICON	SI9933ADY-T1 P,-,20V,3.4A,0.06ohm,2W,SO-8	
IC13	1203-002454	IC-VOLTAGE REGULATOR	FAN1117A,TO-252,3P,257MIL,PLASTIC,1.764V/1.836V,-,0TO+125C,1A,1.225/1.275V,TP	
IC14	1203-001293	IC-POSI.FIXED REG.	033,TO-252,3P,6.5MIL,PLASTIC,3	
IC16	1203-001447	IC-POSI.FIXED REG.	2596,TO-263,5P,-,PLASTIC,3.135	
IC17	1203-001465	IC-POSI.ADJUST REG.	317,TO-263,3P,-,PLASTIC,1.2/37	
IC18	1103-000138	IC-EEPROM	24C16,2Kx8BIT,SOP,8P,150MIL,10	
IC19	1103-001164	IC-EEPROM	24LC21A,128X8BIT,SOP,8P,150MIL,-,5V,10%,PLASTIC,0 TO +70C,100UA,CMOS,TP	
IC21	1203-001109	IC-VOL. DETECTOR	7045,SOT-89,3P,-,PLASTIC,4.3/4	
IC22_SOCKET	3704-000249	SOCKET-IC	32P,PLCC,SN,1.27mm	
IC23	0903-001202	IC-MICROCONTROLLER	80251G2,8BIT,PLCC,44P,653MIL,24MHz,TR,CMOS,PLASTIC,5V,1.5W,0to+70C,1KBYTE,-,24BI	SNA
IC24	0803-000117	IC-TTL	74F14,INVERTER,SOP,14P,150MIL,	
IC25	0801-002268	IC-CMOS LOGIC	74VHC139,DECODER,SOP,16P,150MIL	
IC26	0801-000411	IC-CMOS LOGIC	74HC32,OR GATE,SOP,14P,150MIL,	
IC27	0801-000411	IC-CMOS LOGIC	74HC32,OR GATE,SOP,14P,150MIL,	
IC28	0802-001108	IC-BICMOS LOGIC	74ABT573,LATCH,TSSOP,20P,173MIL,8,TR,PLASTIC,3-STATE,-,0.55V,-65TO+150C,-,0.8V,5	
IC31	1204-001551	IC-VIDEO SYSTEM	GS1881,SOIC,8P,150MIL,PLASTIC,13.2V,-,0TO+70C,TP,VIDEO SYNC SEPARATOR	
IC32	1205-002028	IC-LCD CONTROLLER	JAGAMA,BGA,388P,208MIL,PLASTIC,3.45V,2.5W,-,40TO+125C,TR,DIGITAL DISPLAY PRO.	
IC33	1001-001082	IC-VIDEO SWITCH	BA7657F,-,SOP,24P,300MIL,SINGL	
IC401	1204-001997	IC-DECODER	VSP9415B-B11,MQFP,80P,14X14MM,PLASTIC,3.47V,1.1W,0TO+70C,TR,OPTIMUS	
IC45	1204-001388	IC-DECODER	Z86129,SOP,18P,-,PLASTIC,6.0V,	
IC51	1201-001495	IC-AUDIO AMP	7050,SOP,8P,150MIL,DUAL,26DB,PLASTIC,6V,0.25W,-,40DB,-,20NA,-	
IC52	1203-001816	IC-POSI.FIXED REG.	78M08,TO-252,3P,-,PLASTIC,7.7/8.3V,1.0W,-,40TO+85C,0.5A,-,TP	
IC53	1204-001852	IC-SOUND PROCESSOR	MSP3421G-B8,PQFP,80P,-,PLASTIC,9V,1000MW,0TO70C,TR,-	
IC54	1203-001779	IC-POSI.FIXED REG.	7812,D2PAK,3P,-,PLASTIC,11.5/12.5V,-,40TO+125C,1A,-,TP	
IC55	1201-001681	IC-AUDIO AMP	1101,SOP,30P,433MIL,-,PLASTIC,13.2V,-,0to+70C,-,-,-,-,TP	
IC62	1205-001740	IC-TRANSMITTER	DS90C385,TSSOP,56P,240MIL,PLASTIC,AV,1.63W,-10 TO +70C,ST.FPD LINK-85MHZ(LVDS)	
IC64	1105-001391	IC-DRAM	EM638325,2MX32BIT,TSOP(II),86P,400MIL,60NS,3.3V,10%,PLASTIC,0TO+70C,3MA,-,TR	
L11	3301-001145	CORE-FERRITE BEAD	AB,4.5x1.6x1.6mm,-,-	SNA
L110	3301-001145	CORE-FERRITE BEAD	AB,4.5x1.6x1.6mm,-,-	SNA
L111	BN27-00002A	COIL-CHOKE(SMD)	47uH,47uH,20%,12*12*8mm,22.5Ts,SMD,-,-,0.75ohm,-,-,-,TP	
L113	2703-001334	INDUCTOR-SMD	1.5uH,10%,2x1.25x0.85mm	
L114	2703-001334	INDUCTOR-SMD	1.5uH,10%,2x1.25x0.85mm	
L115	2703-001334	INDUCTOR-SMD	1.5uH,10%,2x1.25x0.85mm	
L116	BN27-20001A	COIL-CHOKE	-,53.0UH,20%,DR10*5,-,-,-,-,0.18ohm,-,-,-,TRAY	
L117	2703-001778	INDUCTOR-SMD	3.3UH,20%,3.2X2.5X2.2MM	
L118	2703-001778	INDUCTOR-SMD	3.3UH,20%,3.2X2.5X2.2MM	
L12	3301-001145	CORE-FERRITE BEAD	AB,4.5x1.6x1.6mm,-,-	SNA
L13	3301-001145	CORE-FERRITE BEAD	AB,4.5x1.6x1.6mm,-,-	SNA
L14	3301-001145	CORE-FERRITE BEAD	AB,4.5x1.6x1.6mm,-,-	SNA
L15	3301-001145	CORE-FERRITE BEAD	AB,4.5x1.6x1.6mm,-,-	SNA
L19	3301-001145	CORE-FERRITE BEAD	AB,4.5x1.6x1.6mm,-,-	SNA
L31	2703-001778	INDUCTOR-SMD	3.3UH,20%,3.2X2.5X2.2MM	
L32	2703-001778	INDUCTOR-SMD	3.3UH,20%,3.2X2.5X2.2MM	
L41	2703-001778	INDUCTOR-SMD	3.3UH,20%,3.2X2.5X2.2MM	
L42	2703-001778	INDUCTOR-SMD	3.3UH,20%,3.2X2.5X2.2MM	
L51	2703-001778	INDUCTOR-SMD	3.3UH,20%,3.2X2.5X2.2MM	

Loc. No.	Code No.	Description	Specification	Remarks
L52	2703-001778	INDUCTOR-SMD	3.3UH,20%,3.2X2.5X2.2MM	
L53	BN27-00007A	COIL CHOKE-SMD	DHB0504-100,RB15/17NS,10UH ±10%,0.080HM,1.5A,DR5.8X4.5,20.5TS,6.0X5.2X4.5MM,-	
L54	BN27-00007A	COIL CHOKE-SMD	DHB0504-100,RB15/17NS,10UH ±10%,0.080HM,1.5A,DR5.8X4.5,20.5TS,6.0X5.2X4.5MM,-	
L55	BN27-00007A	COIL CHOKE-SMD	DHB0504-100,RB15/17NS,10UH ±10%,0.080HM,1.5A,DR5.8X4.5,20.5TS,6.0X5.2X4.5MM,-	
L56	BN27-00007A	COIL CHOKE-SMD	DHB0504-100,RB15/17NS,10UH ±10%,0.080HM,1.5A,DR5.8X4.5,20.5TS,6.0X5.2X4.5MM,-	
MP1.0	BN41-00184A	PCB MAIN	ES15UO,FR4,6,228X157X1.6,ES15UO	
Q11	0501-002080	TR-SMALL SIGNAL	2SC2412K,NPN,200mW,SC-59,TP,120-270	
Q13	0501-002080	TR-SMALL SIGNAL	2SC2412K,NPN,200mW,SC-59,TP,120-270	
Q14	0501-002080	TR-SMALL SIGNAL	2SC2412K,NPN,200mW,SC-59,TP,120-270	
Q15	0501-002080	TR-SMALL SIGNAL	2SC2412K,NPN,200mW,SC-59,TP,120-270	
Q16	0501-002080	TR-SMALL SIGNAL	2SC2412K,NPN,200mW,SC-59,TP,120-270	
Q21	0501-002080	TR-SMALL SIGNAL	2SC2412K,NPN,200mW,SC-59,TP,120-270	
Q22	0501-002080	TR-SMALL SIGNAL	2SC2412K,NPN,200mW,SC-59,TP,120-270	
Q23	0501-002080	TR-SMALL SIGNAL	2SC2412K,NPN,200mW,SC-59,TP,120-270	
Q24	0501-002080	TR-SMALL SIGNAL	2SC2412K,NPN,200mW,SC-59,TP,120-270	
Q403	0501-002080	TR-SMALL SIGNAL	2SC2412K,NPN,200mW,SC-59,TP,120-270	
Q41	0501-002080	TR-SMALL SIGNAL	2SC2412K,NPN,200mW,SC-59,TP,120-270	
Q42	0501-002080	TR-SMALL SIGNAL	2SC2412K,NPN,200mW,SC-59,TP,120-270	
Q43	0501-002080	TR-SMALL SIGNAL	2SC2412K,NPN,200mW,SC-59,TP,120-270	
Q44	0501-002080	TR-SMALL SIGNAL	2SC2412K,NPN,200mW,SC-59,TP,120-270	
R1005	2007-000078	R-CHIP	1Kohm,5%,1/16W,DA,TP,1608	
R1006	2007-000074	R-CHIP	100ohm,5%,1/16W,DA,TP,1608	
R1007	2007-000070	R-CHIP	0ohm,5%,1/16W,DA,TP,1608	
R1008	2007-000074	R-CHIP	100ohm,5%,1/16W,DA,TP,1608	
R1009	2007-000070	R-CHIP	0ohm,5%,1/16W,DA,TP,1608	
R1010	2007-000070	R-CHIP	0ohm,5%,1/16W,DA,TP,1608	
R1011	2007-000070	R-CHIP	0ohm,5%,1/16W,DA,TP,1608	
R1012	2007-000070	R-CHIP	0ohm,5%,1/16W,DA,TP,1608	
R1013	2007-000070	R-CHIP	0ohm,5%,1/16W,DA,TP,1608	
R1014	2007-000074	R-CHIP	100ohm,5%,1/16W,DA,TP,1608	
R1015	2007-000074	R-CHIP	100ohm,5%,1/16W,DA,TP,1608	
R1016	2007-000074	R-CHIP	100ohm,5%,1/16W,DA,TP,1608	
R1017	2007-000132	R-CHIP	180Kohm,5%,1/16W,DA,TP,1608	
R1018	2007-000132	R-CHIP	180Kohm,5%,1/16W,DA,TP,1608	
R1019	2007-000132	R-CHIP	180Kohm,5%,1/16W,DA,TP,1608	
R1020	2007-000402	R-CHIP	150ohm,5%,1/16W,DA,TP,1608	
R1021	2007-000402	R-CHIP	150ohm,5%,1/16W,DA,TP,1608	
R1022	2007-000402	R-CHIP	150ohm,5%,1/16W,DA,TP,1608	
R1023	2007-000125	R-CHIP	3.9Kohm,5%,1/16W,DA,TP,1608	
R11	2007-000078	R-CHIP	1Kohm,5%,1/16W,DA,TP,1608	
R110	2007-000072	R-CHIP	47ohm,5%,1/16W,DA,TP,1608	
R111	2007-000072	R-CHIP	47ohm,5%,1/16W,DA,TP,1608	
R112	2007-000072	R-CHIP	47ohm,5%,1/16W,DA,TP,1608	
R113	2007-000132	R-CHIP	180Kohm,5%,1/16W,DA,TP,1608	
R114	2007-000132	R-CHIP	180Kohm,5%,1/16W,DA,TP,1608	
R115	2007-000132	R-CHIP	180Kohm,5%,1/16W,DA,TP,1608	
R116	2007-000092	R-CHIP	15Kohm,5%,1/16W,DA,TP,1608	
R117	2007-000092	R-CHIP	15Kohm,5%,1/16W,DA,TP,1608	
R118	2007-000070	R-CHIP	0ohm,5%,1/16W,DA,TP,1608	
R119	2007-000070	R-CHIP	0ohm,5%,1/16W,DA,TP,1608	
R12	2007-000078	R-CHIP	1Kohm,5%,1/16W,DA,TP,1608	
R120	2007-000070	R-CHIP	0ohm,5%,1/16W,DA,TP,1608	
R121	2007-000074	R-CHIP	100ohm,5%,1/16W,DA,TP,1608	
R122	2007-000074	R-CHIP	100ohm,5%,1/16W,DA,TP,1608	
R123	2007-000074	R-CHIP	100ohm,5%,1/16W,DA,TP,1608	
R124	2007-000074	R-CHIP	100ohm,5%,1/16W,DA,TP,1608	
R125	2007-000074	R-CHIP	100ohm,5%,1/16W,DA,TP,1608	
R126	2007-000074	R-CHIP	100ohm,5%,1/16W,DA,TP,1608	
R127	2007-000074	R-CHIP	100ohm,5%,1/16W,DA,TP,1608	

Loc. No.	Code No.	Description	Specification	Remarks
R128	2007-000074	R-CHIP	100ohm,5%,1/16W,DA,TP,1608	
R13	2007-000124	R-CHIP	2.2Kohm,5%,1/16W,DA,TP,1608	
R130	2007-000074	R-CHIP	100ohm,5%,1/16W,DA,TP,1608	
R131	2007-000074	R-CHIP	100ohm,5%,1/16W,DA,TP,1608	
R132	2007-000084	R-CHIP	4.7Kohm,5%,1/16W,DA,TP,1608	
R133	2007-000084	R-CHIP	4.7Kohm,5%,1/16W,DA,TP,1608	
R135	2007-000084	R-CHIP	4.7Kohm,5%,1/16W,DA,TP,1608	
R137	2007-000084	R-CHIP	4.7Kohm,5%,1/16W,DA,TP,1608	
R138	2007-000084	R-CHIP	4.7Kohm,5%,1/16W,DA,TP,1608	
R139	2007-000090	R-CHIP	10KOHM,5%,1/16W,DA,TP,1608	
R140	2007-000090	R-CHIP	10KOHM,5%,1/16W,DA,TP,1608	
R141	2007-000090	R-CHIP	10KOHM,5%,1/16W,DA,TP,1608	
R142	2007-000090	R-CHIP	10KOHM,5%,1/16W,DA,TP,1608	
R143	2007-000071	R-CHIP	22ohm,5%,1/16W,DA,TP,1608	
R1431	2007-000070	R-CHIP	0ohm,5%,1/16W,DA,TP,1608	
R144	2007-001167	R-CHIP	75ohm,5%,1/16W,DA,TP,1608	
R145	2007-001167	R-CHIP	75ohm,5%,1/16W,DA,TP,1608	
R146	2007-001167	R-CHIP	75ohm,5%,1/16W,DA,TP,1608	
R147	2007-001167	R-CHIP	75ohm,5%,1/16W,DA,TP,1608	
R148	2007-000102	R-CHIP	100Kohm,5%,1/16W,DA,TP,1608	
R149	2007-000102	R-CHIP	100Kohm,5%,1/16W,DA,TP,1608	
R15	2007-000077	R-CHIP	470ohm,5%,1/16W,DA,TP,1608	
R150	2007-000102	R-CHIP	100Kohm,5%,1/16W,DA,TP,1608	
R151	2007-000102	R-CHIP	100Kohm,5%,1/16W,DA,TP,1608	
R16	2007-000077	R-CHIP	470ohm,5%,1/16W,DA,TP,1608	
R17	2007-000077	R-CHIP	470ohm,5%,1/16W,DA,TP,1608	
R18	2007-000077	R-CHIP	470ohm,5%,1/16W,DA,TP,1608	
R19	2007-000070	R-CHIP	0ohm,5%,1/16W,DA,TP,1608	
R21	2007-000078	R-CHIP	1Kohm,5%,1/16W,DA,TP,1608	
R210	2007-000077	R-CHIP	470ohm,5%,1/16W,DA,TP,1608	
R211	2007-000077	R-CHIP	470ohm,5%,1/16W,DA,TP,1608	
R212	2007-000077	R-CHIP	470ohm,5%,1/16W,DA,TP,1608	
R213	2007-000098	R-CHIP	56Kohm,5%,1/16W,DA,TP,1608	
R214	2007-000098	R-CHIP	56Kohm,5%,1/16W,DA,TP,1608	
R215	2007-000070	R-CHIP	0ohm,5%,1/16W,DA,TP,1608	
R216	2007-000070	R-CHIP	0ohm,5%,1/16W,DA,TP,1608	
R217	2007-000070	R-CHIP	0ohm,5%,1/16W,DA,TP,1608	
R218	2007-000070	R-CHIP	0ohm,5%,1/16W,DA,TP,1608	
R219	2007-000075	R-CHIP	220ohm,5%,1/16W,DA,TP,1608	
R22	2007-000078	R-CHIP	1Kohm,5%,1/16W,DA,TP,1608	
R220	2007-000074	R-CHIP	100ohm,5%,1/16W,DA,TP,1608	
R221	2007-000074	R-CHIP	100ohm,5%,1/16W,DA,TP,1608	
R222	2007-000074	R-CHIP	100ohm,5%,1/16W,DA,TP,1608	
R223	2007-000074	R-CHIP	100ohm,5%,1/16W,DA,TP,1608	
R224	2007-000074	R-CHIP	100ohm,5%,1/16W,DA,TP,1608	
R225	2007-000074	R-CHIP	100ohm,5%,1/16W,DA,TP,1608	
R226	2007-000074	R-CHIP	100ohm,5%,1/16W,DA,TP,1608	
R227	2007-000074	R-CHIP	100ohm,5%,1/16W,DA,TP,1608	
R228	2007-000074	R-CHIP	100ohm,5%,1/16W,DA,TP,1608	
R229	2007-000074	R-CHIP	100ohm,5%,1/16W,DA,TP,1608	
R23	2007-000078	R-CHIP	1Kohm,5%,1/16W,DA,TP,1608	
R230	2007-000074	R-CHIP	100ohm,5%,1/16W,DA,TP,1608	
R234	2007-000074	R-CHIP	100ohm,5%,1/16W,DA,TP,1608	
R235	2007-000074	R-CHIP	100ohm,5%,1/16W,DA,TP,1608	
R236	2007-000074	R-CHIP	100ohm,5%,1/16W,DA,TP,1608	
R237	2007-000071	R-CHIP	22ohm,5%,1/16W,DA,TP,1608	
R238	2007-000071	R-CHIP	22ohm,5%,1/16W,DA,TP,1608	
R239	2007-000084	R-CHIP	4.7Kohm,5%,1/16W,DA,TP,1608	
R24	2007-000078	R-CHIP	1Kohm,5%,1/16W,DA,TP,1608	

Loc. No.	Code No.	Description	Specification	Remarks
R240	2007-000084	R-CHIP	4.7Kohm,5%,1/16W,DA,TP,1608	
R241	2007-000084	R-CHIP	4.7Kohm,5%,1/16W,DA,TP,1608	
R242	2007-000084	R-CHIP	4.7Kohm,5%,1/16W,DA,TP,1608	
R243	2007-000084	R-CHIP	4.7Kohm,5%,1/16W,DA,TP,1608	
R244	2007-000084	R-CHIP	4.7Kohm,5%,1/16W,DA,TP,1608	
R245	2007-000084	R-CHIP	4.7Kohm,5%,1/16W,DA,TP,1608	
R246	2007-000084	R-CHIP	4.7Kohm,5%,1/16W,DA,TP,1608	
R247	2007-000084	R-CHIP	4.7Kohm,5%,1/16W,DA,TP,1608	
R248	2007-000084	R-CHIP	4.7Kohm,5%,1/16W,DA,TP,1608	
R249	2007-000084	R-CHIP	4.7Kohm,5%,1/16W,DA,TP,1608	
R25	2007-000078	R-CHIP	1Kohm,5%,1/16W,DA,TP,1608	
R250	2007-000084	R-CHIP	4.7Kohm,5%,1/16W,DA,TP,1608	
R251	2007-000084	R-CHIP	4.7Kohm,5%,1/16W,DA,TP,1608	
R252	2007-000084	R-CHIP	4.7Kohm,5%,1/16W,DA,TP,1608	
R253	2007-000084	R-CHIP	4.7Kohm,5%,1/16W,DA,TP,1608	
R254	2007-000084	R-CHIP	4.7Kohm,5%,1/16W,DA,TP,1608	
R255	2007-000090	R-CHIP	10KOHM,5%,1/16W,DA,TP,1608	
R2550	2007-000074	R-CHIP	100ohm,5%,1/16W,DA,TP,1608	
R2551	2007-000074	R-CHIP	100ohm,5%,1/16W,DA,TP,1608	
R2552	2007-000075	R-CHIP	220ohm,5%,1/16W,DA,TP,1608	
R2553	2007-000075	R-CHIP	220ohm,5%,1/16W,DA,TP,1608	
R2554	2007-000075	R-CHIP	220ohm,5%,1/16W,DA,TP,1608	
R2555	2007-000075	R-CHIP	220ohm,5%,1/16W,DA,TP,1608	
R2556	2007-000070	R-CHIP	0ohm,5%,1/16W,DA,TP,1608	
R2557	2007-000070	R-CHIP	0ohm,5%,1/16W,DA,TP,1608	
R2558	2007-000070	R-CHIP	0ohm,5%,1/16W,DA,TP,1608	
R256	2007-000090	R-CHIP	10KOHM,5%,1/16W,DA,TP,1608	
R257	2007-000090	R-CHIP	10KOHM,5%,1/16W,DA,TP,1608	
R2570	2007-000070	R-CHIP	0ohm,5%,1/16W,DA,TP,1608	
R258	2007-000090	R-CHIP	10KOHM,5%,1/16W,DA,TP,1608	
R2584	2007-000070	R-CHIP	0ohm,5%,1/16W,DA,TP,1608	
R26	2007-000078	R-CHIP	1Kohm,5%,1/16W,DA,TP,1608	
R2635	2007-000084	R-CHIP	4.7Kohm,5%,1/16W,DA,TP,1608	
R27	2007-000078	R-CHIP	1Kohm,5%,1/16W,DA,TP,1608	
R28	2007-000078	R-CHIP	1Kohm,5%,1/16W,DA,TP,1608	
R29	2007-000077	R-CHIP	470ohm,5%,1/16W,DA,TP,1608	
R31	2007-000078	R-CHIP	1Kohm,5%,1/16W,DA,TP,1608	
R310	2007-000070	R-CHIP	0ohm,5%,1/16W,DA,TP,1608	
R311	2007-000070	R-CHIP	0ohm,5%,1/16W,DA,TP,1608	
R312	2007-000070	R-CHIP	0ohm,5%,1/16W,DA,TP,1608	
R313	2007-000070	R-CHIP	0ohm,5%,1/16W,DA,TP,1608	
R314	2007-000070	R-CHIP	0ohm,5%,1/16W,DA,TP,1608	
R315	2007-000070	R-CHIP	0ohm,5%,1/16W,DA,TP,1608	
R316	2007-000113	R-CHIP	33ohm,5%,1/16W,DA,TP,1608	
R317	2007-000113	R-CHIP	33ohm,5%,1/16W,DA,TP,1608	
R318	2007-000113	R-CHIP	33ohm,5%,1/16W,DA,TP,1608	
R319	2007-000113	R-CHIP	33ohm,5%,1/16W,DA,TP,1608	
R32	2007-000078	R-CHIP	1Kohm,5%,1/16W,DA,TP,1608	
R320	2007-001026	R-CHIP	560Kohm,5%,1/16W,DA,TP,1608	
R321	2007-000309	R-CHIP	10ohm,5%,1/16W,DA,TP,1608	
R322	2007-000309	R-CHIP	10ohm,5%,1/16W,DA,TP,1608	
R323	2007-000309	R-CHIP	10ohm,5%,1/16W,DA,TP,1608	
R324	2007-000309	R-CHIP	10ohm,5%,1/16W,DA,TP,1608	
R325	2007-000309	R-CHIP	10ohm,5%,1/16W,DA,TP,1608	
R326	2007-000309	R-CHIP	10ohm,5%,1/16W,DA,TP,1608	
R327	2007-000074	R-CHIP	100ohm,5%,1/16W,DA,TP,1608	
R328	2007-000074	R-CHIP	100ohm,5%,1/16W,DA,TP,1608	
R329	2007-000074	R-CHIP	100ohm,5%,1/16W,DA,TP,1608	
R33	2007-000070	R-CHIP	0ohm,5%,1/16W,DA,TP,1608	

Loc. No.	Code No.	Description	Specification	Remarks
R330	2007-000074	R-CHIP	100ohm,5%,1/16W,DA,TP,1608	
R331	2007-000074	R-CHIP	100ohm,5%,1/16W,DA,TP,1608	
R332	2007-000074	R-CHIP	100ohm,5%,1/16W,DA,TP,1608	
R333	2007-000074	R-CHIP	100ohm,5%,1/16W,DA,TP,1608	
R334	2007-000074	R-CHIP	100ohm,5%,1/16W,DA,TP,1608	
R3345	2007-000113	R-CHIP	33ohm,5%,1/16W,DA,TP,1608	
R335	2007-000074	R-CHIP	100ohm,5%,1/16W,DA,TP,1608	
R336	2007-000074	R-CHIP	100ohm,5%,1/16W,DA,TP,1608	
R337	2007-000074	R-CHIP	100ohm,5%,1/16W,DA,TP,1608	
R338	2007-000074	R-CHIP	100ohm,5%,1/16W,DA,TP,1608	
R339	2007-000074	R-CHIP	100ohm,5%,1/16W,DA,TP,1608	
R34	2007-000070	R-CHIP	0ohm,5%,1/16W,DA,TP,1608	
R340	2007-000074	R-CHIP	100ohm,5%,1/16W,DA,TP,1608	
R341	2007-000074	R-CHIP	100ohm,5%,1/16W,DA,TP,1608	
R342	2007-000074	R-CHIP	100ohm,5%,1/16W,DA,TP,1608	
R343	2007-000074	R-CHIP	100ohm,5%,1/16W,DA,TP,1608	
R344	2007-000074	R-CHIP	100ohm,5%,1/16W,DA,TP,1608	
R345	2007-000074	R-CHIP	100ohm,5%,1/16W,DA,TP,1608	
R346	2007-000074	R-CHIP	100ohm,5%,1/16W,DA,TP,1608	
R347	2007-000074	R-CHIP	100ohm,5%,1/16W,DA,TP,1608	
R348	2007-000074	R-CHIP	100ohm,5%,1/16W,DA,TP,1608	
R349	2007-000074	R-CHIP	100ohm,5%,1/16W,DA,TP,1608	
R35	2007-000070	R-CHIP	0ohm,5%,1/16W,DA,TP,1608	
R350	2007-000074	R-CHIP	100ohm,5%,1/16W,DA,TP,1608	
R351	2007-000074	R-CHIP	100ohm,5%,1/16W,DA,TP,1608	
R352	2007-000074	R-CHIP	100ohm,5%,1/16W,DA,TP,1608	
R353	2007-000071	R-CHIP	22ohm,5%,1/16W,DA,TP,1608	
R354	2007-000071	R-CHIP	22ohm,5%,1/16W,DA,TP,1608	
R355	2007-000071	R-CHIP	22ohm,5%,1/16W,DA,TP,1608	
R356	2007-000071	R-CHIP	22ohm,5%,1/16W,DA,TP,1608	
R357	2007-000071	R-CHIP	22ohm,5%,1/16W,DA,TP,1608	
R358	2007-000071	R-CHIP	22ohm,5%,1/16W,DA,TP,1608	
R359	2007-000071	R-CHIP	22ohm,5%,1/16W,DA,TP,1608	
R36	2007-000070	R-CHIP	0ohm,5%,1/16W,DA,TP,1608	
R360	2007-000071	R-CHIP	22ohm,5%,1/16W,DA,TP,1608	
R361	2007-000071	R-CHIP	22ohm,5%,1/16W,DA,TP,1608	
R362	2007-000071	R-CHIP	22ohm,5%,1/16W,DA,TP,1608	
R363	2007-000071	R-CHIP	22ohm,5%,1/16W,DA,TP,1608	
R364	2007-000071	R-CHIP	22ohm,5%,1/16W,DA,TP,1608	
R365	2007-000071	R-CHIP	22ohm,5%,1/16W,DA,TP,1608	
R366	2007-000071	R-CHIP	22ohm,5%,1/16W,DA,TP,1608	
R367	2007-000071	R-CHIP	22ohm,5%,1/16W,DA,TP,1608	
R368	2007-000071	R-CHIP	22ohm,5%,1/16W,DA,TP,1608	
R369	2007-000071	R-CHIP	22ohm,5%,1/16W,DA,TP,1608	
R37	2007-000070	R-CHIP	0ohm,5%,1/16W,DA,TP,1608	
R371	2007-000084	R-CHIP	4.7Kohm,5%,1/16W,DA,TP,1608	
R372	2007-000090	R-CHIP	10KOHM,5%,1/16W,DA,TP,1608	
R373	2007-000090	R-CHIP	10KOHM,5%,1/16W,DA,TP,1608	
R374	2007-000090	R-CHIP	10KOHM,5%,1/16W,DA,TP,1608	
R3745	2007-000113	R-CHIP	33ohm,5%,1/16W,DA,TP,1608	
R375	2007-001167	R-CHIP	75ohm,5%,1/16W,DA,TP,1608	
R376	2007-001167	R-CHIP	75ohm,5%,1/16W,DA,TP,1608	
R377	2007-001167	R-CHIP	75ohm,5%,1/16W,DA,TP,1608	
R378	2007-001167	R-CHIP	75ohm,5%,1/16W,DA,TP,1608	
R379	2007-001167	R-CHIP	75ohm,5%,1/16W,DA,TP,1608	
R38	2007-000070	R-CHIP	0ohm,5%,1/16W,DA,TP,1608	
R380	2007-001167	R-CHIP	75ohm,5%,1/16W,DA,TP,1608	
R381	2007-001167	R-CHIP	75ohm,5%,1/16W,DA,TP,1608	
R382	2007-001167	R-CHIP	75ohm,5%,1/16W,DA,TP,1608	

Loc. No.	Code No.	Description	Specification	Remarks
R383	2007-001167	R-CHIP	75ohm,5%,1/16W,DA,TP,1608	
R384	2007-000072	R-CHIP	47ohm,5%,1/16W,DA,TP,1608	
R39	2007-000070	R-CHIP	0ohm,5%,1/16W,DA,TP,1608	
R41	2007-000092	R-CHIP	15Kohm,5%,1/16W,DA,TP,1608	
R410	2007-000070	R-CHIP	0ohm,5%,1/16W,DA,TP,1608	
R411	2007-000070	R-CHIP	0ohm,5%,1/16W,DA,TP,1608	
R412	2007-000070	R-CHIP	0ohm,5%,1/16W,DA,TP,1608	
R413	2007-000070	R-CHIP	0ohm,5%,1/16W,DA,TP,1608	
R414	2007-000070	R-CHIP	0ohm,5%,1/16W,DA,TP,1608	
R415	2007-000070	R-CHIP	0ohm,5%,1/16W,DA,TP,1608	
R416	2007-000070	R-CHIP	0ohm,5%,1/16W,DA,TP,1608	
R417	2007-000070	R-CHIP	0ohm,5%,1/16W,DA,TP,1608	
R418	2007-000070	R-CHIP	0ohm,5%,1/16W,DA,TP,1608	
R419	2007-000070	R-CHIP	0ohm,5%,1/16W,DA,TP,1608	
R42	2007-000084	R-CHIP	4.7Kohm,5%,1/16W,DA,TP,1608	
R420	2007-000070	R-CHIP	0ohm,5%,1/16W,DA,TP,1608	
R421	2007-000070	R-CHIP	0ohm,5%,1/16W,DA,TP,1608	
R43	2007-000077	R-CHIP	470ohm,5%,1/16W,DA,TP,1608	
R432	2007-000070	R-CHIP	0ohm,5%,1/16W,DA,TP,1608	
R433	2007-000070	R-CHIP	0ohm,5%,1/16W,DA,TP,1608	
R434	2007-000070	R-CHIP	0ohm,5%,1/16W,DA,TP,1608	
R436	2007-000074	R-CHIP	100ohm,5%,1/16W,DA,TP,1608	
R437	2007-000074	R-CHIP	100ohm,5%,1/16W,DA,TP,1608	
R438	2007-000074	R-CHIP	100ohm,5%,1/16W,DA,TP,1608	
R439	2007-000074	R-CHIP	100ohm,5%,1/16W,DA,TP,1608	
R44	2007-000077	R-CHIP	470ohm,5%,1/16W,DA,TP,1608	
R440	2007-000074	R-CHIP	100ohm,5%,1/16W,DA,TP,1608	
R441	2007-000074	R-CHIP	100ohm,5%,1/16W,DA,TP,1608	
R442	2007-000074	R-CHIP	100ohm,5%,1/16W,DA,TP,1608	
R443	2007-000074	R-CHIP	100ohm,5%,1/16W,DA,TP,1608	
R444	2007-000074	R-CHIP	100ohm,5%,1/16W,DA,TP,1608	
R445	2007-000094	R-CHIP	22Kohm,5%,1/16W,DA,TP,1608	
R446	2007-000094	R-CHIP	22Kohm,5%,1/16W,DA,TP,1608	
R447	2007-000094	R-CHIP	22Kohm,5%,1/16W,DA,TP,1608	
R448	2007-000094	R-CHIP	22Kohm,5%,1/16W,DA,TP,1608	
R449	2007-000094	R-CHIP	22Kohm,5%,1/16W,DA,TP,1608	
R45	2007-000077	R-CHIP	470ohm,5%,1/16W,DA,TP,1608	
R450	2007-000094	R-CHIP	22Kohm,5%,1/16W,DA,TP,1608	
R451	2007-000094	R-CHIP	22Kohm,5%,1/16W,DA,TP,1608	
R452	2007-000094	R-CHIP	22Kohm,5%,1/16W,DA,TP,1608	
R453	2007-000084	R-CHIP	4.7Kohm,5%,1/16W,DA,TP,1608	
R4532	2007-000102	R-CHIP	100Kohm,5%,1/16W,DA,TP,1608	
R4535	2007-001167	R-CHIP	75ohm,5%,1/16W,DA,TP,1608	
R4536	2007-001167	R-CHIP	75ohm,5%,1/16W,DA,TP,1608	
R4537	2007-001167	R-CHIP	75ohm,5%,1/16W,DA,TP,1608	
R4538	2007-001167	R-CHIP	75ohm,5%,1/16W,DA,TP,1608	
R4539	2007-000070	R-CHIP	0ohm,5%,1/16W,DA,TP,1608	
R454	2007-000084	R-CHIP	4.7Kohm,5%,1/16W,DA,TP,1608	
R4540	2007-000070	R-CHIP	0ohm,5%,1/16W,DA,TP,1608	
R4541	2007-000070	R-CHIP	0ohm,5%,1/16W,DA,TP,1608	
R4542	2007-000070	R-CHIP	0ohm,5%,1/16W,DA,TP,1608	
R4543	2007-000070	R-CHIP	0ohm,5%,1/16W,DA,TP,1608	
R4544	2007-000070	R-CHIP	0ohm,5%,1/16W,DA,TP,1608	
R4545	2007-000070	R-CHIP	0ohm,5%,1/16W,DA,TP,1608	
R4546	2007-000070	R-CHIP	0ohm,5%,1/16W,DA,TP,1608	
R455	2007-000084	R-CHIP	4.7Kohm,5%,1/16W,DA,TP,1608	
R456	2007-000084	R-CHIP	4.7Kohm,5%,1/16W,DA,TP,1608	
R459	2007-000084	R-CHIP	4.7Kohm,5%,1/16W,DA,TP,1608	
R46	2007-000070	R-CHIP	0ohm,5%,1/16W,DA,TP,1608	



Loc. No.	Code No.	Description	Specification	Remarks
R461	2007-000090	R-CHIP	10KOHM,5%,1/16W,DA,TP,1608	
R462	2007-000090	R-CHIP	10KOHM,5%,1/16W,DA,TP,1608	
R464	2007-001167	R-CHIP	75ohm,5%,1/16W,DA,TP,1608	
R465	2007-001167	R-CHIP	75ohm,5%,1/16W,DA,TP,1608	
R467	2007-001167	R-CHIP	75ohm,5%,1/16W,DA,TP,1608	
R468	2007-000078	R-CHIP	1Kohm,5%,1/16W,DA,TP,1608	
R469	2007-000078	R-CHIP	1Kohm,5%,1/16W,DA,TP,1608	
R47	2007-000070	R-CHIP	0ohm,5%,1/16W,DA,TP,1608	
R470	2007-001167	R-CHIP	75ohm,5%,1/16W,DA,TP,1608	
R471	2007-000078	R-CHIP	1Kohm,5%,1/16W,DA,TP,1608	
R472	2007-001167	R-CHIP	75ohm,5%,1/16W,DA,TP,1608	
R473	2007-000078	R-CHIP	1Kohm,5%,1/16W,DA,TP,1608	
R474	2007-001167	R-CHIP	75ohm,5%,1/16W,DA,TP,1608	
R475	2007-000072	R-CHIP	47ohm,5%,1/16W,DA,TP,1608	
R476	2007-000102	R-CHIP	100Kohm,5%,1/16W,DA,TP,1608	
R48	2007-000070	R-CHIP	0ohm,5%,1/16W,DA,TP,1608	
R49	2007-000070	R-CHIP	0ohm,5%,1/16W,DA,TP,1608	
R51	2007-000078	R-CHIP	1Kohm,5%,1/16W,DA,TP,1608	
R510	2007-000098	R-CHIP	56Kohm,5%,1/16W,DA,TP,1608	
R511	2007-000098	R-CHIP	56Kohm,5%,1/16W,DA,TP,1608	
R512	2007-000070	R-CHIP	0ohm,5%,1/16W,DA,TP,1608	
R513	2007-000070	R-CHIP	0ohm,5%,1/16W,DA,TP,1608	
R514	2007-000070	R-CHIP	0ohm,5%,1/16W,DA,TP,1608	
R516	2007-000074	R-CHIP	100ohm,5%,1/16W,DA,TP,1608	
R517	2007-000074	R-CHIP	100ohm,5%,1/16W,DA,TP,1608	
R518	2007-000074	R-CHIP	100ohm,5%,1/16W,DA,TP,1608	
R519	2007-000074	R-CHIP	100ohm,5%,1/16W,DA,TP,1608	
R52	2007-000097	R-CHIP	47Kohm,5%,1/16W,DA,TP,1608	
R520	2007-000074	R-CHIP	100ohm,5%,1/16W,DA,TP,1608	
R521	2007-000074	R-CHIP	100ohm,5%,1/16W,DA,TP,1608	
R522	2007-000074	R-CHIP	100ohm,5%,1/16W,DA,TP,1608	
R523	2007-000074	R-CHIP	100ohm,5%,1/16W,DA,TP,1608	
R524	2007-000074	R-CHIP	100ohm,5%,1/16W,DA,TP,1608	
R525	2007-000074	R-CHIP	100ohm,5%,1/16W,DA,TP,1608	
R526	2007-000074	R-CHIP	100ohm,5%,1/16W,DA,TP,1608	
R527	2007-000084	R-CHIP	4.7Kohm,5%,1/16W,DA,TP,1608	
R528	2007-000074	R-CHIP	100ohm,5%,1/16W,DA,TP,1608	
R529	2007-000074	R-CHIP	100ohm,5%,1/16W,DA,TP,1608	
R53	2007-000097	R-CHIP	47Kohm,5%,1/16W,DA,TP,1608	
R530	2007-000074	R-CHIP	100ohm,5%,1/16W,DA,TP,1608	
R531	2007-000074	R-CHIP	100ohm,5%,1/16W,DA,TP,1608	
R532	2007-000074	R-CHIP	100ohm,5%,1/16W,DA,TP,1608	
R533	2007-000074	R-CHIP	100ohm,5%,1/16W,DA,TP,1608	
R534	2007-000074	R-CHIP	100ohm,5%,1/16W,DA,TP,1608	
R535	2007-000074	R-CHIP	100ohm,5%,1/16W,DA,TP,1608	
R536	2007-000074	R-CHIP	100ohm,5%,1/16W,DA,TP,1608	
R537	2007-000074	R-CHIP	100ohm,5%,1/16W,DA,TP,1608	
R538	2007-000074	R-CHIP	100ohm,5%,1/16W,DA,TP,1608	
R539	2007-000084	R-CHIP	4.7Kohm,5%,1/16W,DA,TP,1608	
R54	2007-000090	R-CHIP	10KOHM,5%,1/16W,DA,TP,1608	
R540	2007-000090	R-CHIP	10KOHM,5%,1/16W,DA,TP,1608	
R541	2007-000090	R-CHIP	10KOHM,5%,1/16W,DA,TP,1608	
R542	2007-000102	R-CHIP	100Kohm,5%,1/16W,DA,TP,1608	
R543	2007-000308	R-CHIP	10OHM,5%,1/10W,DA,TP,2012	
R544	2007-000308	R-CHIP	10OHM,5%,1/10W,DA,TP,2012	
R545	2007-000076	R-CHIP	330ohm,5%,1/16W,DA,TP,1608	
R546	2007-000076	R-CHIP	330ohm,5%,1/16W,DA,TP,1608	
R547	2007-000109	R-CHIP	1Mohm,5%,1/16W,DA,TP,1608	
R548	2007-000981	R-CHIP	5.6KOHM,5%,1/10W,DA,TP,2012	

Loc. No.	Code No.	Description	Specification	Remarks
R549	2007-000518	R-CHIP	2.7KOHM,5%,1/10W,DA,TP,2012	
R55	2007-000090	R-CHIP	10KOHM,5%,1/16W,DA,TP,1608	
R550	2007-000087	R-CHIP	6.8Kohm,5%,1/16W,DA,TP,1608	
R551	2007-000087	R-CHIP	6.8Kohm,5%,1/16W,DA,TP,1608	
R552	2007-000093	R-CHIP	20Kohm,5%,1/16W,DA,TP,1608	
R553	2007-000093	R-CHIP	20Kohm,5%,1/16W,DA,TP,1608	
R56	2007-000090	R-CHIP	10KOHM,5%,1/16W,DA,TP,1608	
R57	2007-000090	R-CHIP	10KOHM,5%,1/16W,DA,TP,1608	
R58	2007-000098	R-CHIP	56Kohm,5%,1/16W,DA,TP,1608	
R59	2007-000098	R-CHIP	56Kohm,5%,1/16W,DA,TP,1608	
R611	2007-000072	R-CHIP	47ohm,5%,1/16W,DA,TP,1608	
R612	2007-000072	R-CHIP	47ohm,5%,1/16W,DA,TP,1608	
R613	2007-000072	R-CHIP	47ohm,5%,1/16W,DA,TP,1608	
R614	2007-000072	R-CHIP	47ohm,5%,1/16W,DA,TP,1608	
R615	2007-000072	R-CHIP	47ohm,5%,1/16W,DA,TP,1608	
R616	2007-000072	R-CHIP	47ohm,5%,1/16W,DA,TP,1608	
R617	2007-000072	R-CHIP	47ohm,5%,1/16W,DA,TP,1608	
R618	2007-000072	R-CHIP	47ohm,5%,1/16W,DA,TP,1608	
R619	2007-000072	R-CHIP	47ohm,5%,1/16W,DA,TP,1608	
R620	2007-000072	R-CHIP	47ohm,5%,1/16W,DA,TP,1608	
R622	2007-000070	R-CHIP	0ohm,5%,1/16W,DA,TP,1608	
R623	2007-000070	R-CHIP	0ohm,5%,1/16W,DA,TP,1608	
R624	2007-000070	R-CHIP	0ohm,5%,1/16W,DA,TP,1608	
R625	2007-000070	R-CHIP	0ohm,5%,1/16W,DA,TP,1608	
R626	2007-000070	R-CHIP	0ohm,5%,1/16W,DA,TP,1608	
R632	2007-000070	R-CHIP	0ohm,5%,1/16W,DA,TP,1608	
R640	2007-000070	R-CHIP	0ohm,5%,1/16W,DA,TP,1608	
R643	2007-000090	R-CHIP	10KOHM,5%,1/16W,DA,TP,1608	
R837	2007-000102	R-CHIP	100Kohm,5%,1/16W,DA,TP,1608	
R982	2007-000074	R-CHIP	100ohm,5%,1/16W,DA,TP,1608	
R987	2007-001167	R-CHIP	75ohm,5%,1/16W,DA,TP,1608	
R988	2007-001167	R-CHIP	75ohm,5%,1/16W,DA,TP,1608	
R992	2007-001167	R-CHIP	75ohm,5%,1/16W,DA,TP,1608	
RA31	2011-000002	R-NETWORK	22ohm,5%,63mW,L,CHIP,8P,TP	
RA310	2011-000002	R-NETWORK	22ohm,5%,63mW,L,CHIP,8P,TP	
RA311	2011-000002	R-NETWORK	22ohm,5%,63mW,L,CHIP,8P,TP	
RA312	2011-000002	R-NETWORK	22ohm,5%,63mW,L,CHIP,8P,TP	
RA32	2011-000002	R-NETWORK	22ohm,5%,63mW,L,CHIP,8P,TP	
RA33	2011-000002	R-NETWORK	22ohm,5%,63mW,L,CHIP,8P,TP	
RA34	2011-000002	R-NETWORK	22ohm,5%,63mW,L,CHIP,8P,TP	
RA35	2011-000002	R-NETWORK	22ohm,5%,63mW,L,CHIP,8P,TP	
RA36	2011-000002	R-NETWORK	22ohm,5%,63mW,L,CHIP,8P,TP	
RA37	2011-000002	R-NETWORK	22ohm,5%,63mW,L,CHIP,8P,TP	
RA38	2011-000002	R-NETWORK	22ohm,5%,63mW,L,CHIP,8P,TP	
RA39	2011-000002	R-NETWORK	22ohm,5%,63mW,L,CHIP,8P,TP	
U502	2402-000176	C-AL,SMD	10uF,20%,16V,GP,TP,4.3x4.3x5.4	
U503	2402-000176	C-AL,SMD	10uF,20%,16V,GP,TP,4.3x4.3x5.4	
U504	3301-001145	CORE-FERRITE BEAD	AB,4.5x1.6x1.6mm,-,-	SNA
U505	2703-001778	INDUCTOR-SMD	3.3UH,20%,3.2X2.5X2.2MM	
U506	0403-001435	DIODE-ZENER	OZX363C5V6,5.32-5.88,200MW,SOT-363,TP	
U507	0403-001435	DIODE-ZENER	OZX363C5V6,5.32-5.88,200MW,SOT-363,TP	
U508	0403-001435	DIODE-ZENER	OZX363C5V6,5.32-5.88,200MW,SOT-363,TP	
U509	0403-001435	DIODE-ZENER	OZX363C5V6,5.32-5.88,200MW,SOT-363,TP	
X21	2801-003667	CRYSTAL-SMD	14.3182MHZ,50PPM,28-AAN,16,500HM,TP	
X41	2801-004004	CRYSTAL-SMD	20.25MHz,20ppm,28-AAN,13pF,25ohm,TP	
X51	2801-003843	CRYSTAL-SMD	18.432MHz,30ppm,28-AAN,20pF,50ohm,TP	
ZD21	0403-000579	DIODE-ZENER	BZX84C5V1,5.1V,5%,200mW,SOT-23	

**7-1-2 LTM1555(B) Others**

Loc. No.	Code No.	Description	Specification	Remarks
-	BN90-00195E	ASSY STAND	GH17LS	SNA
STD+C/R	6001-000154	SCREW-MACHINE	BH,+M4,L8,NI PLT,SM20C,-	
CIS	BN75-00242A	UNIT-STAND	EOS 15AS/NS,-,ABS,-,SV-012P,-,SPRAY,-	
CIS	6003-000009	SCREW-TAPTITE	BH,+B,M4,L16,ZPC(YEL),SWRCH18	SNA
CIS	6003-001010	SCREW-TAPTITE	FH,+B,M3,L6,ZPC(YEL),SWRCH18A	
CIS	6003-001315	SCREW-TAPTITE	BH,+B,M4,L20,ZPC(YEL),SWRCH18A	SNA
CIS	BH73-60339A	RUBBER-LEG	SLC1400,EVA,GRAY,65HB,DIA13*H2	SNA
CIS	BN61-00159A	FRAME-STAND BASE	EOS/NIKE,EGI,T1.2	SNA
CIS	BN61-00184A	STAND-BASE	ES15AS,ABS PC,GR40,SV-012P	SNA
CIS	BN72-00254A	STAND COVER-REAR	EOS 15,ABS,IV16,-,-,HB,-,-,SPRAY	SNA
CIS	BN72-00257A	STAND FRONT	EOS 15,ABS,16,-,-,HB,-,-,SPRAY	SNA
CIS	BN75-00211A	UNIT-HINGE	EOS15,-,SECC T2.0,-,-,-,-,-	SNA
-	BN90-00322M	ASSY COVER REAR	ES15UO	SNA
CIS	BN90-00032B	ASSY REAR-COVER	ES15NS,-,-,-,ABS VO IV16,-,-,SPRAY	SNA
CIS	BN70-00176A	BRACKET VESA	RB15AS,SECC,-,1.0,-,-,-,-,-	SNA
CIS	BN72-00259B	COVER-REAR	ES15NS,ABS,IV16,-,-,HB,-,-,SPRAY	
-	BN90-00395A	ASSY COVER FRONT	ES15UO	SNA
C/F+C/R	6003-001319	SCREW-TAPTITE	BH,+B,M3,L10,NI PLT,SWRCH18A,-	SNA
CIS	BN90-00018C	ASSY COVER FRONT	ES15NO,ABS VO,GR806P,SPRAY,HDTV	SNA
CIS	6002-000129	SCREW-TAPPING	FH,+2S,M3,L8,ZPC(BLK),SM20C	SNA
CIS	6003-000276	SCREW-TAPTITE	BH,+B,M3,L10,ZPC(YEL),SWCH10	SNA
CIS	BN59-00214A	BOARD	CN17VS,FUNCTION KEY,-,-,-,-,-	SNA
CIS	BN59-00216A	PBA SUB	CN17VS,IR PBA SUB,-,-,-,-,-	SNA
CIS	BN59-00262A	SPEAKER SYSTEM	EOS/NIKE15,EOS/NIKE15-R,100X42,WIRE:530MM	SNA
CIS	BN59-00263A	SPEAKER SYSTEM	EOS/NIKE17,EOS/NIKE17-L,100X42,WIRE:240MM	SNA
CIS	BN64-00031A	BADGE-BRAND	RB15AS,AL,T1.4,6.3,40.1,-,SILIVER,-	SNA
CIS	BN64-00035A	KNOB-FUNCTION	EOS15,ABS,IV16,-,-,HB,SPRAY,-,-	SNA
CIS	BN64-00039B	GRILLE-SPEAKER	EOS15,ABS,-,-,-,VO,GR60,SPRAY	SNA
CIS	BN67-00020A	LENS-LED	EOS15,ACRYL,CLEAR,-,-,-,-,-	
CIS	BN72-00258A	COVER FRONT	EOS15,ABS,IV16,-,-,HB,-,-,SPRAY	SNA
-	BN91-00305A	ASSY MISC-ADAPTOR	CS15MOA	SNA
CIS	BN44-00058A	ADAPTOR	PSCV420106AJAD-4214N,GH17PS,100 TO 240 VAC,47 - 63 HZ,+14VDC,3A,-,42WAC-DC,0 T	
-	BN91-00338A	ASSY LCD	ES15UO	SNA
CIS	BN07-00043A	LCD	LTM15C458,GH15LS,6BIT_FRC,331.6*254.7*12.5,16.1M,60.0,297*0.297,0-40,3.3,TOSHIBA	
-	BN91-00417A	ASSY CHASSIS	ES15UO	
-	BN91-00419A	ASSY SHIELD	ES15UO	SNA
CIS	0203-001160	TAPE-FILAMENT	SCOTCH#8915,TO.16,W48,L55M,TRP	SNA
CIS	0203-001244	TAPE-AL FOIL	DK100-30-50,T40uM,W30,L50,SIL	SNA
IN/PCB+SH/PCB	6003-000117	SCREW-TAPTITE	BH,+B,M3,L6,ZPC(YEL),SWRCH18A	SNA
SH/PCB+FU/HAR	6003-000117	SCREW-TAPTITE	BH,+B,M3,L6,ZPC(YEL),SWRCH18A	SNA
C/F+AUD/PCB	6003-000276	SCREW-TAPTITE	BH,+B,M3,L10,ZPC(YEL),SWCH10	SNA
C/F+B/GUIDE	6003-000276	SCREW-TAPTITE	BH,+B,M3,L10,ZPC(YEL),SWCH10	SNA
C/F+COM/PCB	6003-000276	SCREW-TAPTITE	BH,+B,M3,L10,ZPC(YEL),SWCH10	SNA
C/F+SH/PCB	6003-000276	SCREW-TAPTITE	BH,+B,M3,L10,ZPC(YEL),SWCH10	SNA
CIS	BN39-00202A	LEAD CONNECTOR-ASSY	EOS UL2835#28,UJ/CSA,12P,-,-,#28,SMH200-12,1250HS-12,BK,-,-,200MM,2835#28,SJ01-	
CIS	BN39-00202D	LEAD CONNECTOR-ASSY	ES15NS,UL2835#28,UJ/CSA,12P,-,-,#28,SMH200-12,1250HS-12,BK,-,-,660MM,2835#28,-,	
CIS	BN59-00215A	PBA SUB	CN17VS,AV PBA FUNCTION,-,-,-,-,-	
CIS	BN59-00238A	BOARD-NT JACK	ES15NS,CT1000-0090,-,NT-JACK BOARD,-,-,-	SNA
CIS	BN68-00195H	LABEL-MARK	TOSHIBA(TE) PANEL,ART-PAPER 100G,-,30,10,-,BLK,WHT,-,-	SNA
CIS	BN70-00192A	BRACKET SUPPORT	RB15AS,SECC,-,0.8,-,-,-,-,-	SNA
-	BN92-00267A	ASSY P/MATERIAL	ES15AS	SNA
CIS	0203-001100	TAPE-OPP MASKING	OPP/W75/CLR,TO.05,W75,L800000,CLR	SNA

Loc. No.	Code No.	Description	Specification	Remarks
CIS	BH69-00457B	PACKING-PAD	GH15,FOAM,T3.0,930,1000	SNA
CIS	BH69-30355E	BAG-PE/N	NK15,PE FOAM,0.5,650,650,NTR	SNA
CIS	BH69-40321C	PACKING-EDGE	SW4/YEL,2030*140,-,CGC5637(HP)	SNA
CIS	BH69-40378A	PACKING-PALLET	WOOD,1300*1120*120,13500,CGE71	SNA
CIS	BH69-40379A	PACKING-WRAP	LDPE,W500*TO.02,-,-	SNA
CIS	BN68-00129A	LABEL SHIPPING	-,LABEL SHIPPING,ART-PAPER,100G,-,WHT,BLACK,-,-,-	SNA
CIS	BN69-00140T	PAD-PALLET COVER	SUN(LSA810),SW,900,3760,-,-,-,-,-	SNA
CIS	BN69-00230A	CUSHION-L/R	EOS15,EPS 50,-,-,-,-,-,-,-	SNA
-	BN92-00305A	ASSY LABEL	LTM1555X1/XAA,SEA,UNITED STATES	SNA
CIS	BN68-00233A	LABEL RATING	ES15NS,ADC,PE,TO.05,90,45,SYNC,-,PE NATURE,-,-	SNA
-	BN92-00464A	ASSY BOX	ES15U0	SNA
CIS	BH75-10529A	UNIT-HANDLE PACKING	LXA410TLMU,PE,-,WHITE,-	SNA
CIS	BN72-60001A	LEVER TOP	LSD210TL,PE-LD,-,WHITE,-,TFT_LCD	SNA
CIS	BN72-60002A	LEVER BOTTOM	LSD210TL,PE-LD,-,WHITE,-,TFT-LCD	SNA
CIS	BN68-00135A	LABEL BAR CODE	-,ALL,MPRII,DOM,ART-PAPER 90G,-,WHT,BLACK,-,-,-	SNA
CIS	BN69-00254C	BOX	LW15E23C,N/A,CB-SW4,YEL,A-1,-,-,-,L545*W453*H235,-	SNA
-	BN92-00578K	ASSY ACCESSORY	LTM1555BX/XAA,SEA,UNITED STATES	SNA
CIS	BN96-00145K	ASSY ACCESSORY	LTM1555BX/XAA,SEA,UNITED STATES	SNA
CIS	0203-000214	TAPE-OPP MASKING	OPP/W50/CLR,TO.05,W50,L400000,	SNA
CIS	4301-000121	BATTERY-MN	1.5V,-,AAA,10.5x44.5m,HOLDER	SNA
CIS	AA68-00371C	CARD WARRANTY	-,SEA,W/P100(G),1 YEAR	SNA
CIS	BH39-10339X	CBF POWER CORD	DET,SVT,125V/7A,BLK,1830,WALL(ST),MSP-33,MSC-30	
CIS	BH68-00261P	MANUAL	SEAREGISTRATION CARD,SEA,E,USA,MOJO120G,173,234	
CIS	BN39-00043A	CBF SIGNAL	DETACHABLE,-,15P/15P,-,-,-	
CIS	BN59-00302A	REMOCON	-,TM71,EOS,37,GR20,SS,DO	
CIS	BN68-00266A	MANUAL-S/D	LTM1555,LTM1755,SAMSUNG,E/F/S/P,ADC,W/P(100G),A4	

**7-2-1 LTM1755(B) Main PCB Parts**

Loc. No.	Code No.	Description	Specification	Remarks
CIS	BN94-00320A	ASSY PCB MAIN	ES17UO	SNA
C115	2409-001044	C-ORGANIC	100UF,+ -20%,16V,WT,TP,8X10,5,5	
C116	2409-001044	C-ORGANIC	100UF,+ -20%,16V,WT,TP,8X10,5,5	
CIS	0201-001223	ADHESIVE-TS	HT-130S,RED,700+/- 50,-	SNA
CIS	0202-001044	SOLDER-WIRE.	S63S-W3.0,S63S,D3,63Sn/37Pb,-	SNA
CIS	0202-001162	SOLDER-CREAM	RMA-20-21L,S63,-,SN63/PB36.6/AGO.4,FLUX9.5%	SNA
CIS	0202-001222	SOLDER-WIRE FLUX	RS-107,RS60-1.2AA,D1.2,SN60/PB40,-	SNA
CIS	0204-001095	THINNER	#4520,-,-,-	SNA
CIS	0204-001527	FLUX	DF-201TVS,MIX,0.820,FLUX 13%, 14KG	
CIS	BN39-00047A	CBF-HARNESS	100MM,100MM,BLU/WHT/GRY,UL1061,AWG28,51021-1200	
CIS	BN39-00134A	CBF HARNESS	RB17AS,UL1571#30,UL/CSA,30P/30P,240MM,BLUE/WHITE,#30,FI-X30X,DF14-30S-1,25C,1250	
CIS	BN39-00217A	LEAD CONNECTOR-ASSY	ES17AS,UL2835#28,UL/CSA,6P,-,-,#28,1250HS-06,51021-0600,BK,-,-,180MM,2835#28,SJ	
CIS	BN44-00041A	INVERTER	ML17,SIC1803,48KHz,14VDC,1.5mArms,7.2mAms,48KHz,160"45"17,4LAMP,48KHz,-,-	
CIS	BN63-00059A	GASKET	GH17MS,CONDUCTIVE FABRIC,5MM,160MM,17MM,-,-,EMI-GASKET	SNA
CIS	BN63-00121A	GASKET	EOS CONDUCTIVE FABRIC,4MM,30MM,80MM,GRAY,71TSSK 30-4-80-13,71TSSK 30-4-80-13	SNA
CN11	3701-001219	CONNECTOR-DSUB	15P,3R,FEMALE,ANGLE,AUF	
CN12	3722-000117	JACK-DC POWER	3P,3.5mm,AG,BLK,NO	SNA
CN24	3722-001547	JACK-PIN	3P,3.5mm,AU,GRN/BLU/RED,-	
CN25	3722-001756	JACK-PIN	2P,-,AU,WHT/RED,-	
CN41	BN40-00012A	TUNER	TCLN9081PA27K,TCLN9081PA27K,181.45.75MHZ,75 OHM,75 OHM,F-CON,5V,TR	
CN51	3722-001055	JACK-PHONE	5P/2C,3.6PI,AG,BLK,#16-22	SNA
CN52	3711-004386	CONNECTOR-HEADER	BOX,3P,1R,2mm,ANGLE,SN	SNA
CN53	3711-004270	CONNECTOR-HEADER	BOX,2P,1R,2MM,ANGLE,SN	SNA
L43	2701-000157	INDUCTOR-AXIAL	220uH,5%,2.5x3.4mm	
L44	2701-000210	INDUCTOR-AXIAL	680uH,10%,3x7mm	
L45	2701-000177	INDUCTOR-AXIAL	33uH,10%,2.5x3.4mm	
L46	2701-000177	INDUCTOR-AXIAL	33uH,10%,2.5x3.4mm	
L47	2701-000146	INDUCTOR-AXIAL	2.2uH,10%,2.5x3.4mm	
M/PCB+SH/PCB	6003-000117	SCREW-TAPTITE	BH,+ B,M3,L6,ZPC(YEL),SWRCH18A	SNA
SH/PCB+SH/D_SUB	6003-000117	SCREW-TAPTITE	BH,+ B,M3,L6,ZPC(YEL),SWRCH18A	SNA
U501	2401-002286	C-AL	470uF,20%,16V,WT,TP,10x12.5,5	
CIS	BN90-00030C	ASSY SHIELD-D-SUB	ES17NS,NTSC,SPT,TO.5,-,-,-,-	SNA
CIS	BN90-00033A	ASSY SHIELD-PCB	ES17AS,PAL,SECC,TO.8,-,-,-,-	SNA
CIS	BN97-00096T	ASSY MICOM	ES17UO	
IC22	1102-001108	IC-EPROM	27C020,256Kx8BIT,PLCC,32P,495MIL,70ns,5V,10%,PLASTIC,016+70C,100uA,CMOS,TR	
CIS	BN46-00012T	S/W MICOM	ES17UO	SNA
CIS	BN97-00110A	ASSY SMD	ES17UO	SNA
BD109	3301-001163	CORE-FERRITE BEAD	AB,80ohm,2x1.25x1mm,300mA,TP,FERRITE,0.08ohm	
BD11	3301-001236	CORE-FERRITE BEAD	AB,60ohm,1.6x0.8x0.8mm,200mA,TP,H,0.7ohm	
BD12	3301-001236	CORE-FERRITE BEAD	AB,60ohm,1.6x0.8x0.8mm,200mA,TP,H,0.7ohm	
BD13	3301-001236	CORE-FERRITE BEAD	AB,60ohm,1.6x0.8x0.8mm,200mA,TP,H,0.7ohm	
BD14	3301-001163	CORE-FERRITE BEAD	AB,80ohm,2x1.25x1mm,300mA,TP,FERRITE,0.08ohm	
BD21	3301-001163	CORE-FERRITE BEAD	AB,80ohm,2x1.25x1mm,300mA,TP,FERRITE,0.08ohm	
BD210	3301-001163	CORE-FERRITE BEAD	AB,80ohm,2x1.25x1mm,300mA,TP,FERRITE,0.08ohm	
BD211	3301-001163	CORE-FERRITE BEAD	AB,80ohm,2x1.25x1mm,300mA,TP,FERRITE,0.08ohm	
BD212	3301-001163	CORE-FERRITE BEAD	AB,80ohm,2x1.25x1mm,300mA,TP,FERRITE,0.08ohm	
BD213	3301-001163	CORE-FERRITE BEAD	AB,80ohm,2x1.25x1mm,300mA,TP,FERRITE,0.08ohm	
BD214	3301-001163	CORE-FERRITE BEAD	AB,80ohm,2x1.25x1mm,300mA,TP,FERRITE,0.08ohm	
BD215	3301-001163	CORE-FERRITE BEAD	AB,80ohm,2x1.25x1mm,300mA,TP,FERRITE,0.08ohm	
BD216	3301-001163	CORE-FERRITE BEAD	AB,80ohm,2x1.25x1mm,300mA,TP,FERRITE,0.08ohm	
BD217	3301-001163	CORE-FERRITE BEAD	AB,80ohm,2x1.25x1mm,300mA,TP,FERRITE,0.08ohm	
BD218	3301-001163	CORE-FERRITE BEAD	AB,80ohm,2x1.25x1mm,300mA,TP,FERRITE,0.08ohm	
BD219	3301-001163	CORE-FERRITE BEAD	AB,80ohm,2x1.25x1mm,300mA,TP,FERRITE,0.08ohm	
BD22	3301-001163	CORE-FERRITE BEAD	AB,80ohm,2x1.25x1mm,300mA,TP,FERRITE,0.08ohm	
BD220	3301-001163	CORE-FERRITE BEAD	AB,80ohm,2x1.25x1mm,300mA,TP,FERRITE,0.08ohm	

Loc. No.	Code No.	Description	Specification	Remarks
BD221	3301-001163	CORE-FERRITE BEAD	AB,80ohm,2x1.25x1mm,300mA,TP,FERRITE,0.08ohm	
BD222	3301-001163	CORE-FERRITE BEAD	AB,80ohm,2x1.25x1mm,300mA,TP,FERRITE,0.08ohm	
BD223	3301-001163	CORE-FERRITE BEAD	AB,80ohm,2x1.25x1mm,300mA,TP,FERRITE,0.08ohm	
BD224	3301-001163	CORE-FERRITE BEAD	AB,80ohm,2x1.25x1mm,300mA,TP,FERRITE,0.08ohm	
BD225	3301-001163	CORE-FERRITE BEAD	AB,80ohm,2x1.25x1mm,300mA,TP,FERRITE,0.08ohm	
BD226	3301-001163	CORE-FERRITE BEAD	AB,80ohm,2x1.25x1mm,300mA,TP,FERRITE,0.08ohm	
BD227	3301-001163	CORE-FERRITE BEAD	AB,80ohm,2x1.25x1mm,300mA,TP,FERRITE,0.08ohm	
BD23	3301-001163	CORE-FERRITE BEAD	AB,80ohm,2x1.25x1mm,300mA,TP,FERRITE,0.08ohm	
BD24	3301-001163	CORE-FERRITE BEAD	AB,80ohm,2x1.25x1mm,300mA,TP,FERRITE,0.08ohm	
BD25	3301-001163	CORE-FERRITE BEAD	AB,80ohm,2x1.25x1mm,300mA,TP,FERRITE,0.08ohm	
BD26	3301-001163	CORE-FERRITE BEAD	AB,80ohm,2x1.25x1mm,300mA,TP,FERRITE,0.08ohm	
BD27	3301-001163	CORE-FERRITE BEAD	AB,80ohm,2x1.25x1mm,300mA,TP,FERRITE,0.08ohm	
BD28	3301-001163	CORE-FERRITE BEAD	AB,80ohm,2x1.25x1mm,300mA,TP,FERRITE,0.08ohm	
BD29	3301-001163	CORE-FERRITE BEAD	AB,80ohm,2x1.25x1mm,300mA,TP,FERRITE,0.08ohm	
BD41	3301-001163	CORE-FERRITE BEAD	AB,80ohm,2x1.25x1mm,300mA,TP,FERRITE,0.08ohm	
BD42	3301-001163	CORE-FERRITE BEAD	AB,80ohm,2x1.25x1mm,300mA,TP,FERRITE,0.08ohm	
BD43	3301-001163	CORE-FERRITE BEAD	AB,80ohm,2x1.25x1mm,300mA,TP,FERRITE,0.08ohm	
BD44	3301-001163	CORE-FERRITE BEAD	AB,80ohm,2x1.25x1mm,300mA,TP,FERRITE,0.08ohm	
BD51	3301-001145	CORE-FERRITE BEAD	AB,4.5x1.6x1.6mm,-,-	SNA
BD52	3301-001163	CORE-FERRITE BEAD	AB,80ohm,2x1.25x1mm,300mA,TP,FERRITE,0.08ohm	
C11	2402-001081	C-AL,SMD	100uF,20%,25V,WT,TP,8.3x8.3x10	
C110	2402-001042	C-AL,SMD	100uF,20%,16V,GP,TP,6.6x6.6x5.4mm	
C111	2402-001042	C-AL,SMD	100uF,20%,16V,GP,TP,6.6x6.6x5.4mm	
C112	2402-001042	C-AL,SMD	100uF,20%,16V,GP,TP,6.6x6.6x5.4mm	
C113	2402-001042	C-AL,SMD	100uF,20%,16V,GP,TP,6.6x6.6x5.4mm	
C114	2402-001042	C-AL,SMD	100uF,20%,16V,GP,TP,6.6x6.6x5.4mm	
C119	2402-000176	C-AL,SMD	10uF,20%,16V,GP,TP,4.3x4.3x5.4	
C12	2402-001081	C-AL,SMD	100uF,20%,25V,WT,TP,8.3x8.3x10	
C120	2402-000176	C-AL,SMD	10uF,20%,16V,GP,TP,4.3x4.3x5.4	
C121	2402-000176	C-AL,SMD	10uF,20%,16V,GP,TP,4.3x4.3x5.4	
C122	2402-000176	C-AL,SMD	10uF,20%,16V,GP,TP,4.3x4.3x5.4	
C123	2402-000176	C-AL,SMD	10uF,20%,16V,GP,TP,4.3x4.3x5.4	
C124	2402-000176	C-AL,SMD	10uF,20%,16V,GP,TP,4.3x4.3x5.4	
C125	2203-000903	C-CERAMIC,CHIP	0.0047nF,0.25pF,50V,NPO,TP,1608	
C126	2203-000903	C-CERAMIC,CHIP	0.0047nF,0.25pF,50V,NPO,TP,1608	
C127	2203-000903	C-CERAMIC,CHIP	0.0047nF,0.25pF,50V,NPO,TP,1608	
C13	2402-001044	C-AL,SMD	100uF,20%,25V,-,TP,8.3x8.3x6.3	
C131	2203-005065	C-CERAMIC,CHIP	1000nF,+80-20%,10V,Y5V,TP,1608	
C132	2203-005065	C-CERAMIC,CHIP	1000nF,+80-20%,10V,Y5V,TP,1608	
C133	2203-005065	C-CERAMIC,CHIP	1000nF,+80-20%,10V,Y5V,TP,1608	
C134	2203-005065	C-CERAMIC,CHIP	1000nF,+80-20%,10V,Y5V,TP,1608	
C135	2203-005065	C-CERAMIC,CHIP	1000nF,+80-20%,10V,Y5V,TP,1608	
C136	2203-005065	C-CERAMIC,CHIP	1000nF,+80-20%,10V,Y5V,TP,1608	
C137	2203-005065	C-CERAMIC,CHIP	1000nF,+80-20%,10V,Y5V,TP,1608	
C138	2203-005065	C-CERAMIC,CHIP	1000nF,+80-20%,10V,Y5V,TP,1608	
C139	2203-005065	C-CERAMIC,CHIP	1000nF,+80-20%,10V,Y5V,TP,1608	
C14	2402-001044	C-AL,SMD	100uF,20%,25V,-,TP,8.3x8.3x6.3	
C140	2203-005065	C-CERAMIC,CHIP	1000nF,+80-20%,10V,Y5V,TP,1608	
C141	2203-005065	C-CERAMIC,CHIP	1000nF,+80-20%,10V,Y5V,TP,1608	
C142	2203-000189	C-CERAMIC,CHIP	100nF,+80-20%,25V,Y5V,TP,1608,	
C143	2203-000189	C-CERAMIC,CHIP	100nF,+80-20%,25V,Y5V,TP,1608,	
C144	2203-000189	C-CERAMIC,CHIP	100nF,+80-20%,25V,Y5V,TP,1608,	
C145	2203-000189	C-CERAMIC,CHIP	100nF,+80-20%,25V,Y5V,TP,1608,	
C146	2203-000189	C-CERAMIC,CHIP	100nF,+80-20%,25V,Y5V,TP,1608,	
C147	2203-000189	C-CERAMIC,CHIP	100nF,+80-20%,25V,Y5V,TP,1608,	
C148	2203-000189	C-CERAMIC,CHIP	100nF,+80-20%,25V,Y5V,TP,1608,	
C15	2402-001044	C-AL,SMD	100uF,20%,25V,-,TP,8.3x8.3x6.3	
C150	2203-000189	C-CERAMIC,CHIP	100nF,+80-20%,25V,Y5V,TP,1608,	
C152	2203-000189	C-CERAMIC,CHIP	100nF,+80-20%,25V,Y5V,TP,1608,	

Loc. No.	Code No.	Description	Specification	Remarks
C153	2203-000189	C-CERAMIC,CHIP	100nF,+80-20%,25V,Y5V,TP,1608,	
C154	2203-000257	C-CERAMIC,CHIP	10nF,10%,50V,X7R,TP,1608	
C155	2203-000257	C-CERAMIC,CHIP	10nF,10%,50V,X7R,TP,1608	
C156	2203-000257	C-CERAMIC,CHIP	10nF,10%,50V,X7R,TP,1608	
C157	2203-000257	C-CERAMIC,CHIP	10nF,10%,50V,X7R,TP,1608	
C158	2203-000257	C-CERAMIC,CHIP	10nF,10%,50V,X7R,TP,1608	
C159	2203-000257	C-CERAMIC,CHIP	10nF,10%,50V,X7R,TP,1608	
C160	2203-000257	C-CERAMIC,CHIP	10nF,10%,50V,X7R,TP,1608	
C162	2203-001155	C-CERAMIC,CHIP	0.068nF,5%,50V,NPO,TP,1608	
C163	2203-000236	C-CERAMIC,CHIP	0.1nF,5%,50V,NPO,TP,1608	
C17	2402-001042	C-AL,SMD	100uF,20%,16V,GP,TP,6.6x6.6x5.4mm	
C18	2402-001042	C-AL,SMD	100uF,20%,16V,GP,TP,6.6x6.6x5.4mm	
C19	2402-001042	C-AL,SMD	100uF,20%,16V,GP,TP,6.6x6.6x5.4mm	
C21	2402-000176	C-AL,SMD	10uF,20%,16V,GP,TP,4.3x4.3x5.4	
C210	2203-001417	C-CERAMIC,CHIP	0.036nF,5%,50V,NPO,TP,1608	
C211	2203-005065	C-CERAMIC,CHIP	1000nF,+80-20%,10V,Y5V,TP,1608	
C212	2203-005065	C-CERAMIC,CHIP	1000nF,+80-20%,10V,Y5V,TP,1608	
C213	2203-005065	C-CERAMIC,CHIP	1000nF,+80-20%,10V,Y5V,TP,1608	
C214	2203-005065	C-CERAMIC,CHIP	1000nF,+80-20%,10V,Y5V,TP,1608	
C215	2203-000189	C-CERAMIC,CHIP	100nF,+80-20%,25V,Y5V,TP,1608,	
C216	2203-000189	C-CERAMIC,CHIP	100nF,+80-20%,25V,Y5V,TP,1608,	
C217	2203-000189	C-CERAMIC,CHIP	100nF,+80-20%,25V,Y5V,TP,1608,	
C22	2402-000176	C-AL,SMD	10uF,20%,16V,GP,TP,4.3x4.3x5.4	
C220	2203-000189	C-CERAMIC,CHIP	100nF,+80-20%,25V,Y5V,TP,1608,	
C221	2203-000189	C-CERAMIC,CHIP	100nF,+80-20%,25V,Y5V,TP,1608,	
C222	2203-000189	C-CERAMIC,CHIP	100nF,+80-20%,25V,Y5V,TP,1608,	
C223	2203-000784	C-CERAMIC,CHIP	0.33nF,5%,50V,NPO,TP,2012	
C224	2203-000784	C-CERAMIC,CHIP	0.33nF,5%,50V,NPO,TP,2012	
C225	2203-000257	C-CERAMIC,CHIP	10nF,10%,50V,X7R,TP,1608	
C226	2203-000236	C-CERAMIC,CHIP	0.1nF,5%,50V,NPO,TP,1608	
C227	2203-000236	C-CERAMIC,CHIP	0.1nF,5%,50V,NPO,TP,1608	
C228	2203-000236	C-CERAMIC,CHIP	0.1nF,5%,50V,NPO,TP,1608	
C229	2203-000236	C-CERAMIC,CHIP	0.1nF,5%,50V,NPO,TP,1608	
C23	2402-000176	C-AL,SMD	10uF,20%,16V,GP,TP,4.3x4.3x5.4	
C230	2203-000236	C-CERAMIC,CHIP	0.1nF,5%,50V,NPO,TP,1608	
C231	2203-000236	C-CERAMIC,CHIP	0.1nF,5%,50V,NPO,TP,1608	
C232	2203-000236	C-CERAMIC,CHIP	0.1nF,5%,50V,NPO,TP,1608	
C233	2203-000236	C-CERAMIC,CHIP	0.1nF,5%,50V,NPO,TP,1608	
C234	2203-000236	C-CERAMIC,CHIP	0.1nF,5%,50V,NPO,TP,1608	
C24	2402-001042	C-AL,SMD	100uF,20%,16V,GP,TP,6.6x6.6x5.4mm	
C25	2402-001006	C-AL,SMD	4.7uF,20%,25V,GP,TP,3.6x6.3x3.	
C26	2402-001006	C-AL,SMD	4.7uF,20%,25V,GP,TP,3.6x6.3x3.	
C27	2203-001077	C-CERAMIC,CHIP	0.056nF,5%,50V,NPO,TP,2012	
C28	2203-001077	C-CERAMIC,CHIP	0.056nF,5%,50V,NPO,TP,2012	
C29	2203-001417	C-CERAMIC,CHIP	0.036nF,5%,50V,NPO,TP,1608	
C31	2402-000176	C-AL,SMD	10uF,20%,16V,GP,TP,4.3x4.3x5.4	
C310	2402-000176	C-AL,SMD	10uF,20%,16V,GP,TP,4.3x4.3x5.4	
C3103	2402-000176	C-AL,SMD	10uF,20%,16V,GP,TP,4.3x4.3x5.4	
C311	2402-000176	C-AL,SMD	10uF,20%,16V,GP,TP,4.3x4.3x5.4	
C312	2402-000176	C-AL,SMD	10uF,20%,16V,GP,TP,4.3x4.3x5.4	
C313	2402-000176	C-AL,SMD	10uF,20%,16V,GP,TP,4.3x4.3x5.4	
C314	2402-001006	C-AL,SMD	4.7uF,20%,25V,GP,TP,3.6x6.3x3.	
C315	2402-001006	C-AL,SMD	4.7uF,20%,25V,GP,TP,3.6x6.3x3.	
C316	2409-001035	C-ORGANIC	10uF,20%,10V,LZ,TP,5.4x4.3x4.3mm,1	
C317	2402-000108	C-AL,SMD	10uF,20%,16V,WT,TP,4.3x4.3x5.4	
C318	2402-000179	C-AL,SMD	47uF,20%,16V,GP,TP,6.6x6.6x5.4	
C319	2402-000179	C-AL,SMD	47uF,20%,16V,GP,TP,6.6x6.6x5.4	
C32	2203-000697	C-CERAMIC,CHIP	0.002nF,0.25pF,50V,NPO,TP,1608	
C321	2203-005065	C-CERAMIC,CHIP	1000nF,+80-20%,10V,Y5V,TP,1608	

Loc. No.	Code No.	Description	Specification	Remarks
C3246	2402-000176	C-AL,SMD	10uF,20%,16V,GP,TP,4.3x4.3x5.4	
C3285	2402-000176	C-AL,SMD	10uF,20%,16V,GP,TP,4.3x4.3x5.4	
C329	2203-000189	C-CERAMIC,CHIP	100nF,+80-20%,25V,Y5V,TP,1608,	
C33	2203-000697	C-CERAMIC,CHIP	0.002nF,0.25pF,50V,NPO,TP,1608	
C330	2203-000189	C-CERAMIC,CHIP	100nF,+80-20%,25V,Y5V,TP,1608,	
C3300	2402-000176	C-AL,SMD	10uF,20%,16V,GP,TP,4.3x4.3x5.4	
C331	2203-000189	C-CERAMIC,CHIP	100nF,+80-20%,25V,Y5V,TP,1608,	
C332	2203-000189	C-CERAMIC,CHIP	100nF,+80-20%,25V,Y5V,TP,1608,	
C333	2203-000189	C-CERAMIC,CHIP	100nF,+80-20%,25V,Y5V,TP,1608,	
C334	2203-000189	C-CERAMIC,CHIP	100nF,+80-20%,25V,Y5V,TP,1608,	
C335	2203-000189	C-CERAMIC,CHIP	100nF,+80-20%,25V,Y5V,TP,1608,	
C336	2203-000189	C-CERAMIC,CHIP	100nF,+80-20%,25V,Y5V,TP,1608,	
C337	2203-000189	C-CERAMIC,CHIP	100nF,+80-20%,25V,Y5V,TP,1608,	
C338	2203-000189	C-CERAMIC,CHIP	100nF,+80-20%,25V,Y5V,TP,1608,	
C339	2203-000189	C-CERAMIC,CHIP	100nF,+80-20%,25V,Y5V,TP,1608,	
C3390	2402-000176	C-AL,SMD	10uF,20%,16V,GP,TP,4.3x4.3x5.4	
C34	2203-000697	C-CERAMIC,CHIP	0.002nF,0.25pF,50V,NPO,TP,1608	
C340	2203-000189	C-CERAMIC,CHIP	100nF,+80-20%,25V,Y5V,TP,1608,	
C341	2203-000189	C-CERAMIC,CHIP	100nF,+80-20%,25V,Y5V,TP,1608,	
C342	2203-000189	C-CERAMIC,CHIP	100nF,+80-20%,25V,Y5V,TP,1608,	
C343	2203-000189	C-CERAMIC,CHIP	100nF,+80-20%,25V,Y5V,TP,1608,	
C344	2203-000189	C-CERAMIC,CHIP	100nF,+80-20%,25V,Y5V,TP,1608,	
C345	2203-000189	C-CERAMIC,CHIP	100nF,+80-20%,25V,Y5V,TP,1608,	
C346	2203-000189	C-CERAMIC,CHIP	100nF,+80-20%,25V,Y5V,TP,1608,	
C347	2203-000189	C-CERAMIC,CHIP	100nF,+80-20%,25V,Y5V,TP,1608,	
C348	2203-000189	C-CERAMIC,CHIP	100nF,+80-20%,25V,Y5V,TP,1608,	
C349	2203-000189	C-CERAMIC,CHIP	100nF,+80-20%,25V,Y5V,TP,1608,	
C35	2203-005065	C-CERAMIC,CHIP	1000nF,+80-20%,10V,Y5V,TP,1608	
C350	2203-000189	C-CERAMIC,CHIP	100nF,+80-20%,25V,Y5V,TP,1608,	
C351	2203-000189	C-CERAMIC,CHIP	100nF,+80-20%,25V,Y5V,TP,1608,	
C352	2203-000189	C-CERAMIC,CHIP	100nF,+80-20%,25V,Y5V,TP,1608,	
C353	2203-000189	C-CERAMIC,CHIP	100nF,+80-20%,25V,Y5V,TP,1608,	
C354	2203-000189	C-CERAMIC,CHIP	100nF,+80-20%,25V,Y5V,TP,1608,	
C355	2203-000189	C-CERAMIC,CHIP	100nF,+80-20%,25V,Y5V,TP,1608,	
C3552	2402-000176	C-AL,SMD	10uF,20%,16V,GP,TP,4.3x4.3x5.4	
C356	2203-000189	C-CERAMIC,CHIP	100nF,+80-20%,25V,Y5V,TP,1608,	
C357	2203-000189	C-CERAMIC,CHIP	100nF,+80-20%,25V,Y5V,TP,1608,	
C358	2203-000189	C-CERAMIC,CHIP	100nF,+80-20%,25V,Y5V,TP,1608,	
C359	2203-000189	C-CERAMIC,CHIP	100nF,+80-20%,25V,Y5V,TP,1608,	
C36	2203-005065	C-CERAMIC,CHIP	1000nF,+80-20%,10V,Y5V,TP,1608	
C360	2203-000189	C-CERAMIC,CHIP	100nF,+80-20%,25V,Y5V,TP,1608,	
C361	2203-000189	C-CERAMIC,CHIP	100nF,+80-20%,25V,Y5V,TP,1608,	
C362	2203-000189	C-CERAMIC,CHIP	100nF,+80-20%,25V,Y5V,TP,1608,	
C363	2203-000189	C-CERAMIC,CHIP	100nF,+80-20%,25V,Y5V,TP,1608,	
C365	2203-000440	C-CERAMIC,CHIP	1nF,10%,50V,X7R,TP,1608,-	
C366	2203-000440	C-CERAMIC,CHIP	1nF,10%,50V,X7R,TP,1608,-	
C367	2203-000440	C-CERAMIC,CHIP	1nF,10%,50V,X7R,TP,1608,-	
C368	2203-000440	C-CERAMIC,CHIP	1nF,10%,50V,X7R,TP,1608,-	
C3688	2402-000176	C-AL,SMD	10uF,20%,16V,GP,TP,4.3x4.3x5.4	
C369	2203-000440	C-CERAMIC,CHIP	1nF,10%,50V,X7R,TP,1608,-	
C37	2203-005065	C-CERAMIC,CHIP	1000nF,+80-20%,10V,Y5V,TP,1608	
C370	2203-000440	C-CERAMIC,CHIP	1nF,10%,50V,X7R,TP,1608,-	
C371	2203-000440	C-CERAMIC,CHIP	1nF,10%,50V,X7R,TP,1608,-	
C372	2203-005005	C-CERAMIC,CHIP	100nF,10%,16V,X7R,TP,1608	
C373	2203-000257	C-CERAMIC,CHIP	10nF,10%,50V,X7R,TP,1608	
C374	2203-000257	C-CERAMIC,CHIP	10nF,10%,50V,X7R,TP,1608	
C375	2203-000257	C-CERAMIC,CHIP	10nF,10%,50V,X7R,TP,1608	
C376	2203-000257	C-CERAMIC,CHIP	10nF,10%,50V,X7R,TP,1608	
C377	2203-000257	C-CERAMIC,CHIP	10nF,10%,50V,X7R,TP,1608	



Loc. No.	Code No.	Description	Specification	Remarks
C378	2203-000257	C-CERAMIC,CHIP	10nF,10%,50V,X7R,TP,1608	
C3782	2402-000176	C-AL,SMD	10uF,20%,16V,GP,TP,4.3x4.3x5.4	
C379	2203-000257	C-CERAMIC,CHIP	10nF,10%,50V,X7R,TP,1608	
C380	2203-000257	C-CERAMIC,CHIP	10nF,10%,50V,X7R,TP,1608	
C381	2203-000257	C-CERAMIC,CHIP	10nF,10%,50V,X7R,TP,1608	
C382	2203-000257	C-CERAMIC,CHIP	10nF,10%,50V,X7R,TP,1608	
C383	2203-000257	C-CERAMIC,CHIP	10nF,10%,50V,X7R,TP,1608	
C384	2203-000384	C-CERAMIC,CHIP	0.015nF,5%,50V,NP0,TP,1608	
C3890	2402-000144	C-AL,SMD	3.3uF,20%,50V,GP,TP,4.3x4.3x5.	
C39	2203-000189	C-CERAMIC,CHIP	100nF,+80-20%,25V,Y5V,TP,1608,	
C410	2203-005065	C-CERAMIC,CHIP	1000nF,+80-20%,10V,Y5V,TP,1608	
C411	2203-005065	C-CERAMIC,CHIP	1000nF,+80-20%,10V,Y5V,TP,1608	
C412	2203-005065	C-CERAMIC,CHIP	1000nF,+80-20%,10V,Y5V,TP,1608	
C4128	2402-001042	C-AL,SMD	100uF,20%,16V,GP,TP,6.6x6.6x5.4mm	
C413	2203-005065	C-CERAMIC,CHIP	1000nF,+80-20%,10V,Y5V,TP,1608	
C414	2203-005065	C-CERAMIC,CHIP	1000nF,+80-20%,10V,Y5V,TP,1608	
C415	2203-005065	C-CERAMIC,CHIP	1000nF,+80-20%,10V,Y5V,TP,1608	
C416	2203-005065	C-CERAMIC,CHIP	1000nF,+80-20%,10V,Y5V,TP,1608	
C417	2203-005065	C-CERAMIC,CHIP	1000nF,+80-20%,10V,Y5V,TP,1608	
C418	2203-005065	C-CERAMIC,CHIP	1000nF,+80-20%,10V,Y5V,TP,1608	
C4186	2402-001042	C-AL,SMD	100uF,20%,16V,GP,TP,6.6x6.6x5.4mm	
C419	2203-005065	C-CERAMIC,CHIP	1000nF,+80-20%,10V,Y5V,TP,1608	
C420	2203-005065	C-CERAMIC,CHIP	1000nF,+80-20%,10V,Y5V,TP,1608	
C421	2203-000189	C-CERAMIC,CHIP	100nF,+80-20%,25V,Y5V,TP,1608,	
C422	2203-000189	C-CERAMIC,CHIP	100nF,+80-20%,25V,Y5V,TP,1608,	
C423	2203-000189	C-CERAMIC,CHIP	100nF,+80-20%,25V,Y5V,TP,1608,	
C424	2203-000440	C-CERAMIC,CHIP	1nF,10%,50V,X7R,TP,1608,-	
C4276	2402-000176	C-AL,SMD	10uF,20%,16V,GP,TP,4.3x4.3x5.4	
C43	2203-000972	C-CERAMIC,CHIP	47nF,10%,16V,X7R,TP,1608	
C430	2203-000280	C-CERAMIC,CHIP	0.01nF,0.5pF,50V,NP0,TP,1608	
C431	2203-000998	C-CERAMIC,CHIP	0.047nF,5%,50V,NP0,TP,1608	
C432	2203-000189	C-CERAMIC,CHIP	100nF,+80-20%,25V,Y5V,TP,1608,	
C433	2203-000189	C-CERAMIC,CHIP	100nF,+80-20%,25V,Y5V,TP,1608,	
C434	2203-000189	C-CERAMIC,CHIP	100nF,+80-20%,25V,Y5V,TP,1608,	
C437	2203-000189	C-CERAMIC,CHIP	100nF,+80-20%,25V,Y5V,TP,1608,	
C438	2203-000189	C-CERAMIC,CHIP	100nF,+80-20%,25V,Y5V,TP,1608,	
C439	2203-000257	C-CERAMIC,CHIP	10nF,10%,50V,X7R,TP,1608	
C44	2203-000972	C-CERAMIC,CHIP	47nF,10%,16V,X7R,TP,1608	
C440	2203-000257	C-CERAMIC,CHIP	10nF,10%,50V,X7R,TP,1608	
C441	2203-000257	C-CERAMIC,CHIP	10nF,10%,50V,X7R,TP,1608	
C442	2203-000257	C-CERAMIC,CHIP	10nF,10%,50V,X7R,TP,1608	
C443	2203-000552	C-CERAMIC,CHIP	0.02nF,5%,50V,NP0,TP,1608	
C444	2203-000552	C-CERAMIC,CHIP	0.02nF,5%,50V,NP0,TP,1608	
C445	2203-000626	C-CERAMIC,CHIP	0.022nF,5%,50V,NP0,TP,1608	
C446	2203-000626	C-CERAMIC,CHIP	0.022nF,5%,50V,NP0,TP,1608	
C447	2203-000491	C-CERAMIC,CHIP	2.2nF,10%,50V,X7R,TP,1608,-	
C448	2203-000140	C-CERAMIC,CHIP	1.5nF,10%,50V,X7R,TP,1608,-	
C449	2203-001656	C-CERAMIC,CHIP	0.47nF,5%,50V,NP0,TP,1608	
C45	2402-001042	C-AL,SMD	100uF,20%,16V,GP,TP,6.6x6.6x5.4mm	
C450	2203-000972	C-CERAMIC,CHIP	47nF,10%,16V,X7R,TP,1608	
C451	2203-000972	C-CERAMIC,CHIP	47nF,10%,16V,X7R,TP,1608	
C452	2203-000972	C-CERAMIC,CHIP	47nF,10%,16V,X7R,TP,1608	
C46	2402-000135	C-AL,SMD	22uF,20%,16V,GP,TP,5.3x5.3x5.4	
C47	2203-005065	C-CERAMIC,CHIP	1000nF,+80-20%,10V,Y5V,TP,1608	
C4728	2402-000176	C-AL,SMD	10uF,20%,16V,GP,TP,4.3x4.3x5.4	
C48	2203-005065	C-CERAMIC,CHIP	1000nF,+80-20%,10V,Y5V,TP,1608	
C4845	2203-000972	C-CERAMIC,CHIP	47nF,10%,16V,X7R,TP,1608	
C49	2203-005065	C-CERAMIC,CHIP	1000nF,+80-20%,10V,Y5V,TP,1608	
C51	2203-000140	C-CERAMIC,CHIP	1.5nF,10%,50V,X7R,TP,1608,-	

Loc. No.	Code No.	Description	Specification	Remarks
C510	2402-001042	C-AL,SMD	100uF,20%,16V,GP,TP,6.6x6.6x5.4mm	
C511	2402-001042	C-AL,SMD	100uF,20%,16V,GP,TP,6.6x6.6x5.4mm	
C512	2402-001042	C-AL,SMD	100uF,20%,16V,GP,TP,6.6x6.6x5.4mm	
C513	2402-001042	C-AL,SMD	100uF,20%,16V,GP,TP,6.6x6.6x5.4mm	
C514	2402-001042	C-AL,SMD	100uF,20%,16V,GP,TP,6.6x6.6x5.4mm	
C515	2402-001157	C-AL,SMD	0.33UF,20%,50V,GP,TP,4X5.2MM	
C516	2402-001157	C-AL,SMD	0.33UF,20%,50V,GP,TP,4X5.2MM	
C517	2402-001006	C-AL,SMD	4.7uF,20%,25V,GP,TP,3.6x6.3x3.	
C518	2402-001006	C-AL,SMD	4.7uF,20%,25V,GP,TP,3.6x6.3x3.	
C519	2402-001006	C-AL,SMD	4.7uF,20%,25V,GP,TP,3.6x6.3x3.	
C52	2203-000140	C-CERAMIC,CHIP	1.5nF,10%,50V,X7R,TP,1608,-	
C520	2402-001006	C-AL,SMD	4.7uF,20%,25V,GP,TP,3.6x6.3x3.	
C521	2402-000170	C-AL,SMD	1uF,20%,50V,GP,TP,4.3x4.3x5.4,	
C522	2203-001077	C-CERAMIC,CHIP	0.056nF,5%,50V,NPO,TP,2012	
C523	2203-001077	C-CERAMIC,CHIP	0.056nF,5%,50V,NPO,TP,2012	
C5239	2402-000176	C-AL,SMD	10uF,20%,16V,GP,TP,4.3x4.3x5.4	
C524	2203-001077	C-CERAMIC,CHIP	0.056nF,5%,50V,NPO,TP,2012	
C5244	2402-000144	C-AL,SMD	3.3uF,20%,50V,GP,TP,4.3x4.3x5.	
C5247	2402-001042	C-AL,SMD	100uF,20%,16V,GP,TP,6.6x6.6x5.4mm	
C525	2203-000903	C-CERAMIC,CHIP	0.0047nF,0.25pF,50V,NPO,TP,1608	
C526	2203-000903	C-CERAMIC,CHIP	0.0047nF,0.25pF,50V,NPO,TP,1608	
C527	2203-000189	C-CERAMIC,CHIP	100nF,+80-20%,25V,Y5V,TP,1608,	
C528	2203-000189	C-CERAMIC,CHIP	100nF,+80-20%,25V,Y5V,TP,1608,	
C529	2203-000189	C-CERAMIC,CHIP	100nF,+80-20%,25V,Y5V,TP,1608,	
C53	2402-000176	C-AL,SMD	10uF,20%,16V,GP,TP,4.3x4.3x5.4	
C530	2203-000189	C-CERAMIC,CHIP	100nF,+80-20%,25V,Y5V,TP,1608,	
C531	2203-000189	C-CERAMIC,CHIP	100nF,+80-20%,25V,Y5V,TP,1608,	
C532	2203-000189	C-CERAMIC,CHIP	100nF,+80-20%,25V,Y5V,TP,1608,	
C533	2203-000189	C-CERAMIC,CHIP	100nF,+80-20%,25V,Y5V,TP,1608,	
C534	2203-000189	C-CERAMIC,CHIP	100nF,+80-20%,25V,Y5V,TP,1608,	
C535	2203-000189	C-CERAMIC,CHIP	100nF,+80-20%,25V,Y5V,TP,1608,	
C536	2203-000189	C-CERAMIC,CHIP	100nF,+80-20%,25V,Y5V,TP,1608,	
C537	2203-000189	C-CERAMIC,CHIP	100nF,+80-20%,25V,Y5V,TP,1608,	
C538	2203-000189	C-CERAMIC,CHIP	100nF,+80-20%,25V,Y5V,TP,1608,	
C539	2203-000189	C-CERAMIC,CHIP	100nF,+80-20%,25V,Y5V,TP,1608,	
C54	2402-000176	C-AL,SMD	10uF,20%,16V,GP,TP,4.3x4.3x5.4	
C540	2203-000440	C-CERAMIC,CHIP	1nF,10%,50V,X7R,TP,1608,-	
C541	2203-000440	C-CERAMIC,CHIP	1nF,10%,50V,X7R,TP,1608,-	
C542	2203-000140	C-CERAMIC,CHIP	1.5nF,10%,50V,X7R,TP,1608,-	
C543	2203-000140	C-CERAMIC,CHIP	1.5nF,10%,50V,X7R,TP,1608,-	
C544	2203-000140	C-CERAMIC,CHIP	1.5nF,10%,50V,X7R,TP,1608,-	
C545	2203-000236	C-CERAMIC,CHIP	0.1nF,5%,50V,NPO,TP,1608	
C546	2203-000236	C-CERAMIC,CHIP	0.1nF,5%,50V,NPO,TP,1608	
C547	2203-000236	C-CERAMIC,CHIP	0.1nF,5%,50V,NPO,TP,1608	
C548	2203-000236	C-CERAMIC,CHIP	0.1nF,5%,50V,NPO,TP,1608	
C549	2203-000236	C-CERAMIC,CHIP	0.1nF,5%,50V,NPO,TP,1608	
C55	2402-000176	C-AL,SMD	10uF,20%,16V,GP,TP,4.3x4.3x5.4	
C550	2203-000236	C-CERAMIC,CHIP	0.1nF,5%,50V,NPO,TP,1608	
C551	2402-001157	C-AL,SMD	0.33UF,20%,50V,GP,TP,4X5.2MM	
C552	2402-001157	C-AL,SMD	0.33UF,20%,50V,GP,TP,4X5.2MM	
C553	2203-001656	C-CERAMIC,CHIP	0.47nF,5%,50V,NPO,TP,1608	
C554	2203-001656	C-CERAMIC,CHIP	0.47nF,5%,50V,NPO,TP,1608	
C555	2203-001656	C-CERAMIC,CHIP	0.47nF,5%,50V,NPO,TP,1608	
C556	2203-001391	C-CERAMIC,CHIP	150nF,10%,25V,X7R,TP,2012,-	
C557	2203-001391	C-CERAMIC,CHIP	150nF,10%,25V,X7R,TP,2012,-	
C558	2203-001391	C-CERAMIC,CHIP	150nF,10%,25V,X7R,TP,2012,-	
C559	2203-001391	C-CERAMIC,CHIP	150nF,10%,25V,X7R,TP,2012,-	
C56	2402-000176	C-AL,SMD	10uF,20%,16V,GP,TP,4.3x4.3x5.4	
C560	2203-001391	C-CERAMIC,CHIP	150nF,10%,25V,X7R,TP,2012,-	

Loc. No.	Code No.	Description	Specification	Remarks
C561	2203-001391	C-CERAMIC,CHIP	150nF,10%,25V,X7R,TP,2012,-	
C562	2203-001391	C-CERAMIC,CHIP	150nF,10%,25V,X7R,TP,2012,-	
C563	2203-001391	C-CERAMIC,CHIP	150nF,10%,25V,X7R,TP,2012,-	
C564	2203-001391	C-CERAMIC,CHIP	150nF,10%,25V,X7R,TP,2012,-	
C565	2203-001391	C-CERAMIC,CHIP	150nF,10%,25V,X7R,TP,2012,-	
C566	2203-001391	C-CERAMIC,CHIP	150nF,10%,25V,X7R,TP,2012,-	
C567	2203-001391	C-CERAMIC,CHIP	150nF,10%,25V,X7R,TP,2012,-	
C568	2203-001391	C-CERAMIC,CHIP	150nF,10%,25V,X7R,TP,2012,-	
C569	2203-001391	C-CERAMIC,CHIP	150nF,10%,25V,X7R,TP,2012,-	
C57	2402-000176	C-AL,SMD	10uF,20%,16V,GP,TP,4.3x4.3x5.4	
C570	2203-001607	C-CERAMIC,CHIP	0.22nF,5%,50V,NPO,TP,1608	
C571	2203-000701	C-CERAMIC,CHIP	0.002nF,0.25pF,50V,NPO,TP,2012	
C572	2203-000701	C-CERAMIC,CHIP	0.002nF,0.25pF,50V,NPO,TP,2012	
C573	2203-000972	C-CERAMIC,CHIP	47nF,10%,16V,X7R,TP,1608	
C574	2203-000716	C-CERAMIC,CHIP	3.3nF,10%,50V,X7R,TP,2012,-	
C575	2203-000716	C-CERAMIC,CHIP	3.3nF,10%,50V,X7R,TP,2012,-	
C576	2203-002793	C-CERAMIC,CHIP	1000nF,+80-20%,25V,Y5V,TP,2012	
C58	2402-001042	C-AL,SMD	100uF,20%,16V,GP,TP,6.6x6.6x5.4mm	
C59	2402-001042	C-AL,SMD	100uF,20%,16V,GP,TP,6.6x6.6x5.4mm	
C61	2402-000176	C-AL,SMD	10uF,20%,16V,GP,TP,4.3x4.3x5.4	
C610	2203-000189	C-CERAMIC,CHIP	100nF,+80-20%,25V,Y5V,TP,1608,	
C611	2203-000189	C-CERAMIC,CHIP	100nF,+80-20%,25V,Y5V,TP,1608,	
C612	2203-000189	C-CERAMIC,CHIP	100nF,+80-20%,25V,Y5V,TP,1608,	
C613	2203-000189	C-CERAMIC,CHIP	100nF,+80-20%,25V,Y5V,TP,1608,	
C614	2203-000189	C-CERAMIC,CHIP	100nF,+80-20%,25V,Y5V,TP,1608,	
C615	2203-000189	C-CERAMIC,CHIP	100nF,+80-20%,25V,Y5V,TP,1608,	
C616	2203-000189	C-CERAMIC,CHIP	100nF,+80-20%,25V,Y5V,TP,1608,	
C617	2203-000189	C-CERAMIC,CHIP	100nF,+80-20%,25V,Y5V,TP,1608,	
C618	2203-000189	C-CERAMIC,CHIP	100nF,+80-20%,25V,Y5V,TP,1608,	
C619	2203-000189	C-CERAMIC,CHIP	100nF,+80-20%,25V,Y5V,TP,1608,	
C62	2402-000176	C-AL,SMD	10uF,20%,16V,GP,TP,4.3x4.3x5.4	
C620	2203-000189	C-CERAMIC,CHIP	100nF,+80-20%,25V,Y5V,TP,1608,	
C621	2203-000189	C-CERAMIC,CHIP	100nF,+80-20%,25V,Y5V,TP,1608,	
C622	2203-000189	C-CERAMIC,CHIP	100nF,+80-20%,25V,Y5V,TP,1608,	
C63	2402-000176	C-AL,SMD	10uF,20%,16V,GP,TP,4.3x4.3x5.4	
C635	2203-000440	C-CERAMIC,CHIP	1nF,10%,50V,X7R,TP,1608,-	
C637	2203-000440	C-CERAMIC,CHIP	1nF,10%,50V,X7R,TP,1608,-	
C638	2203-000440	C-CERAMIC,CHIP	1nF,10%,50V,X7R,TP,1608,-	
C639	2203-000440	C-CERAMIC,CHIP	1nF,10%,50V,X7R,TP,1608,-	
C64	2402-000176	C-AL,SMD	10uF,20%,16V,GP,TP,4.3x4.3x5.4	
C640	2203-000440	C-CERAMIC,CHIP	1nF,10%,50V,X7R,TP,1608,-	
C65	2402-000135	C-AL,SMD	22uF,20%,16V,GP,TP,5.3x5.3x5.4	
C67	2203-000189	C-CERAMIC,CHIP	100nF,+80-20%,25V,Y5V,TP,1608,	
C68	2203-000189	C-CERAMIC,CHIP	100nF,+80-20%,25V,Y5V,TP,1608,	
C777	2402-001006	C-AL,SMD	4.7uF,20%,25V,GP,TP,3.6x6.3x3.	
C782	2402-001006	C-AL,SMD	4.7uF,20%,25V,GP,TP,3.6x6.3x3.	
CA31	2503-001018	C-NETWORK	15PFX4,10%,50V,-	
CA311	2503-001018	C-NETWORK	15PFX4,10%,50V,-	
CA312	2503-001018	C-NETWORK	15PFX4,10%,50V,-	
CA313	2503-001018	C-NETWORK	15PFX4,10%,50V,-	
CA314	2503-001018	C-NETWORK	15PFX4,10%,50V,-	
CA315	2503-001018	C-NETWORK	15PFX4,10%,50V,-	
CA32	2503-001018	C-NETWORK	15PFX4,10%,50V,-	
CA33	2503-001018	C-NETWORK	15PFX4,10%,50V,-	
CA330	2503-001018	C-NETWORK	15PFX4,10%,50V,-	
CA34	2503-001018	C-NETWORK	15PFX4,10%,50V,-	
CA35	2503-001018	C-NETWORK	15PFX4,10%,50V,-	
CA36	2503-001018	C-NETWORK	15PFX4,10%,50V,-	
CN13	3711-002046	CONNECTOR-HEADER	3WALL,12P,1R,1.25mm,SMD-S,SN	SNA

Loc. No.	Code No.	Description	Specification	Remarks
CN21	3711-002127	CONNECTOR-HEADER	BOX,8P,1R,1.25mm,SMD-A,SN	SNA
CN22	3711-002049	CONNECTOR-HEADER	BOX,6P,1R,1.25mm,SMD-A,SN	SNA
CN23	3711-002049	CONNECTOR-HEADER	BOX,6P,1R,1.25mm,SMD-A,SN	SNA
CN26	3711-000556	CONNECTOR-HEADER	BOX,12P,1R,1.25mm,SMD-A,SN	SNA
CN27	3711-000556	CONNECTOR-HEADER	BOX,12P,1R,1.25mm,SMD-A,SN	SNA
CN62	3711-004070	CONNECTOR-HEADER	BOX,30P,1R,1.25mm,SMD-A,SN	SNA
D11	0402-000553	DIODE-RECTIFIER	SS24,40V,2.0A,DO-214AA	
D12	0402-000553	DIODE-RECTIFIER	SS24,40V,2.0A,DO-214AA	
D14	0403-000579	DIODE-ZENER	BZX84C5V1,5.1V,5%,200mW,SOT-23	
D15	0401-001056	DIODE-SWITCHING	MMBD4148SE,75V,200MA,SOT-23,TP	
D16	0401-001056	DIODE-SWITCHING	MMBD4148SE,75V,200MA,SOT-23,TP	
D17	0401-001056	DIODE-SWITCHING	MMBD4148SE,75V,200MA,SOT-23,TP	
D18	0403-001435	DIODE-ZENER	QZX363C5V6,5.32-5.88,200MW,SOT-363,TP	
D21	0403-001052	DIODE-ZENER	RD8.2MB,8.2V,7.7-8.64V,200mW,S	
D210	0403-000579	DIODE-ZENER	BZX84C5V1,5.1V,5%,200mW,SOT-23	
D211	0403-000579	DIODE-ZENER	BZX84C5V1,5.1V,5%,200mW,SOT-23	
D22	0403-001052	DIODE-ZENER	RD8.2MB,8.2V,7.7-8.64V,200mW,S	
D220	0403-001052	DIODE-ZENER	RD8.2MB,8.2V,7.7-8.64V,200mW,S	
D23	0403-001052	DIODE-ZENER	RD8.2MB,8.2V,7.7-8.64V,200mW,S	
D237	0403-001052	DIODE-ZENER	RD8.2MB,8.2V,7.7-8.64V,200mW,S	
D238	0403-001435	DIODE-ZENER	QZX363C5V6,5.32-5.88,200MW,SOT-363,TP	
D239	0403-001052	DIODE-ZENER	RD8.2MB,8.2V,7.7-8.64V,200mW,S	
D24	0403-001435	DIODE-ZENER	QZX363C5V6,5.32-5.88,200MW,SOT-363,TP	
D240	0403-001052	DIODE-ZENER	RD8.2MB,8.2V,7.7-8.64V,200mW,S	
D25	0403-001052	DIODE-ZENER	RD8.2MB,8.2V,7.7-8.64V,200mW,S	
D26	0403-001052	DIODE-ZENER	RD8.2MB,8.2V,7.7-8.64V,200mW,S	
D27	0403-001052	DIODE-ZENER	RD8.2MB,8.2V,7.7-8.64V,200mW,S	
D29	0403-000579	DIODE-ZENER	BZX84C5V1,5.1V,5%,200mW,SOT-23	
D41	0401-001056	DIODE-SWITCHING	MMBD4148SE,75V,200MA,SOT-23,TP	
D43	0403-001382	DIODE-ZENER	UDZ33B,32.15-33.79V,200mW,SOD-323,TP	
D51	0403-001435	DIODE-ZENER	QZX363C5V6,5.32-5.88,200MW,SOT-363,TP	
D55	0403-001052	DIODE-ZENER	RD8.2MB,8.2V,7.7-8.64V,200mW,S	
DB21	3301-001163	CORE-FERRITE BEAD	AB,80ohm,2x1.25x1mm,300mA,TP,FERRITE,0.08ohm	
FT11	3301-001145	CORE-FERRITE BEAD	AB,4.5x1.6x1.6mm,-,-	SNA
FT12	3301-001145	CORE-FERRITE BEAD	AB,4.5x1.6x1.6mm,-,-	SNA
FT13	3301-001145	CORE-FERRITE BEAD	AB,4.5x1.6x1.6mm,-,-	SNA
FT14	3301-001145	CORE-FERRITE BEAD	AB,4.5x1.6x1.6mm,-,-	SNA
FT31	2901-001133	FILTER-EMI SMD	25V,0.15A,-,33pF,2x1.25x0.8mm,TP	
FT32	3301-001145	CORE-FERRITE BEAD	AB,4.5x1.6x1.6mm,-,-	SNA
FT51	3301-001145	CORE-FERRITE BEAD	AB,4.5x1.6x1.6mm,-,-	SNA
FT52	3301-001145	CORE-FERRITE BEAD	AB,4.5x1.6x1.6mm,-,-	SNA
FT61	3301-001145	CORE-FERRITE BEAD	AB,4.5x1.6x1.6mm,-,-	SNA
FT62	3301-001145	CORE-FERRITE BEAD	AB,4.5x1.6x1.6mm,-,-	SNA
FT63	3301-001145	CORE-FERRITE BEAD	AB,4.5x1.6x1.6mm,-,-	SNA
FT66	3301-001145	CORE-FERRITE BEAD	AB,4.5x1.6x1.6mm,-,-	SNA
IC109	1203-002410	IC-POSI.ADJUST REG.	KA317MR,D-PAK,3P,240MIL,PLASTIC,40V,-,OTO+125C,0.5A,1.2/1.3V,TP	
IC11	1203-001448	IC-SWITCH VOL. REG.	2596,TO-263,5P,-,PLASTIC,4.750	
IC110	0803-000117	IC-TTL	74F14,INVERTER,SOP,14P,150MIL,	
IC111	0505-001170	FET-SILICON	SI9933ADY-T1,P,-,20V,3.4A,0.06ohm,2W,SO-8	
IC112	0505-001170	FET-SILICON	SI9933ADY-T1,P,-,20V,3.4A,0.06ohm,2W,SO-8	
IC13	1203-002454	IC-VOLTAGE REGULATOR	FAN1117A,TO-252,3P,257MIL,PLASTIC,1.764V/1.836V,-,OTO+125C,1A,1.225/1.275V,TP	
IC14	1203-001293	IC-POSI.FIXED REG.	033,TO-252,3P,6.5MIL,PLASTIC,3	
IC15	1203-001293	IC-POSI.FIXED REG.	033,TO-252,3P,6.5MIL,PLASTIC,3	
IC16	1203-001448	IC-SWITCH VOL. REG.	2596,TO-263,5P,-,PLASTIC,4.750	
IC17	1203-001465	IC-POSI.ADJUST REG.	317,TO-263,3P,-,PLASTIC,1.2/37	
IC18	1103-000138	IC-EEPROM	24C16,2Kx8BIT,SOP,8P,150MIL,TO	
IC19	1103-001164	IC-EEPROM	24LC21A,128X8BIT,SOP,8P,150MIL,-,5V,10%,PLASTIC,0 TO +70C,100UA,CMOS,TP	
IC21	1203-001109	IC-VOL. DETECTOR	7045,SOT-89,3P,-,PLASTIC,4.3/4	
IC22_SOCKET	3704-000249	SOCKET-IC	32P,PLCC,SN,1.27mm	

Loc. No.	Code No.	Description	Specification	Remarks
IC23	0903-001202	IC-MICROCONTROLLER	80251G2,880i,PLCC,44P,653MIL,24MHz,TR,CMOS,PLASTIC,5V,1.5W,0to+70C,1KBYTE,-,24Bi	SNA
IC24	0803-000117	IC-TTL	74F14,INVERTER,SOP,14P,150MIL,	
IC25	0801-002268	IC-CMOS LOGIC	74VHC139,DECODER,SOP,16P,150MI	
IC26	0801-000411	IC-CMOS LOGIC	74HC32,OR GATE,SOP,14P,150MIL,	
IC27	0801-000411	IC-CMOS LOGIC	74HC32,OR GATE,SOP,14P,150MIL,	
IC28	0802-001108	IC-BICMOS LOGIC	74ABT573,LATCH,TSSOP,20P,173MIL,8,TR,PLASTIC,3-STATE,-,0.55V,-65TO+150C,-,0.8V,5	
IC31	1204-001551	IC-VIDEO SYSTEM	GS1881,SOIC,8P,150MIL,PLASTIC,13.2V,-,0TO+70C,TP,VIDEO SYNC SEPARATOR	
IC32	1205-002028	IC-LCD CONTROLLER	JAGASIM,BGA,388P,208MIL,PALATIC,3.45V,2.5W,-40TO+125C,TR,DIGITAL DISPLAY PRO.	
IC33	1001-001082	IC-VIDEO SWITCH	BA7657F,-,SOP,24P,300MIL,SINGL	
IC401	1204-001997	IC-DECODER	YSP9415B-B11,MQFP,80P,14X14MM,PLASTIC,3.47V,1.1W,0TO+70C,TR,OPTIMUS	
IC45	1204-001388	IC-DECODER	Z86129,SOP,18P,-,PLASTIC,6.0V,	
IC51	1201-001495	IC-AUDIO AMP	7050,SOP,8P,150MIL,DUAL,26DB,PLASTIC,6V,0.25W,-,40DB,-,20NA,-	
IC52	1203-001816	IC-POSI.FIXED REG.	78M08,TO-252,3P,-,PLASTIC,7.7/8.3V,1.0W,-40TO+85C,0.5A,-,TP	
IC53	1204-001852	IC-SOUND PROCESSOR	MSP3421G-BB,PQFP,80P,-,PLASTIC,9V,1000MW,0TO70C,TR,-	
IC54	1203-001779	IC-POSI.FIXED REG.	7812,D2PAK,3P,-,PLASTIC,11.5/12.5V,-,40TO+125CC,1A,-,TP	
IC55	1201-001681	IC-AUDIO AMP	1101,SOP,30P,433MIL,-,PLASTIC,13.2V,-,0to+70C,-,,-,-,-,TP	
IC61	1205-001740	IC-TRANSMITTER	DS90C385,TSSOP,56P,240MIL,PLASTIC,4V,1.63W,-10 TO +70C,ST,FPD LINK-85MHZ(LVDS)	
IC62	1205-001740	IC-TRANSMITTER	DS90C385,TSSOP,56P,240MIL,PLASTIC,4V,1.63W,-10 TO +70C,ST,FPD LINK-85MHZ(LVDS)	
IC64	1105-001391	IC-DRAM	EM638325,2MX32BIT,TSOP(I),86P,400MIL,60NS,3.3V,10%PLASTIC,0TO+70C,3MA,-,TR	
L110	3301-001145	CORE-FERRITE BEAD	AB,4.5x1.6x1.6mm,-,-	SNA
L111	BN27-00002A	COIL-CHOKE(SMD)	47uH,47uH,20%,12*12*8mm,22.5Ts,SMD,-,-,0.75ohm,-,-,-,TP	
L113	2703-001334	INDUCTOR-SMD	1.5uH,10%,2x1.25x0.85mm	
L114	2703-001334	INDUCTOR-SMD	1.5uH,10%,2x1.25x0.85mm	
L115	2703-001334	INDUCTOR-SMD	1.5uH,10%,2x1.25x0.85mm	
L116	BN27-20001A	COIL-CHOKE	-,53.0UH,20%,DR10*5,-,-,-,-,0.18ohm,-,-,-,TRAY	
L117	2703-001778	INDUCTOR-SMD	3.3UH,20%,3.2X2.5X2.2MM	
L118	2703-001778	INDUCTOR-SMD	3.3UH,20%,3.2X2.5X2.2MM	
L12	3301-001145	CORE-FERRITE BEAD	AB,4.5x1.6x1.6mm,-,-	SNA
L13	3301-001145	CORE-FERRITE BEAD	AB,4.5x1.6x1.6mm,-,-	SNA
L14	3301-001145	CORE-FERRITE BEAD	AB,4.5x1.6x1.6mm,-,-	SNA
L16	3301-001145	CORE-FERRITE BEAD	AB,4.5x1.6x1.6mm,-,-	SNA
L17	3301-001145	CORE-FERRITE BEAD	AB,4.5x1.6x1.6mm,-,-	SNA
L18	3301-001145	CORE-FERRITE BEAD	AB,4.5x1.6x1.6mm,-,-	SNA
L31	2703-001778	INDUCTOR-SMD	3.3UH,20%,3.2X2.5X2.2MM	
L32	2703-001778	INDUCTOR-SMD	3.3UH,20%,3.2X2.5X2.2MM	
L41	2703-001778	INDUCTOR-SMD	3.3UH,20%,3.2X2.5X2.2MM	
L42	2703-001778	INDUCTOR-SMD	3.3UH,20%,3.2X2.5X2.2MM	
L51	2703-001778	INDUCTOR-SMD	3.3UH,20%,3.2X2.5X2.2MM	
L52	2703-001778	INDUCTOR-SMD	3.3UH,20%,3.2X2.5X2.2MM	
L53	BN27-00007A	COIL CHOKE-SMD	DHB0504-100,RB15/17NS,10UH,±ze10%,-,0.080HM,1.5A,DR5.8X4.5,20.5TS,6.0X5.2X4.5MM,-	
L54	BN27-00007A	COIL CHOKE-SMD	DHB0504-100,RB15/17NS,10UH,±ze10%,-,0.080HM,1.5A,DR5.8X4.5,20.5TS,6.0X5.2X4.5MM,-	
L55	BN27-00007A	COIL CHOKE-SMD	DHB0504-100,RB15/17NS,10UH,±ze10%,-,0.080HM,1.5A,DR5.8X4.5,20.5TS,6.0X5.2X4.5MM,-	
L56	BN27-00007A	COIL CHOKE-SMD	DHB0504-100,RB15/17NS,10UH,±ze10%,-,0.080HM,1.5A,DR5.8X4.5,20.5TS,6.0X5.2X4.5MM,-	
MP1.0	BN41-00184A	PCB MAIN	ES15UO,FR4,6,228X157X1.6,ES15UO	
Q11	0501-002080	TR-SMALL SIGNAL	2SC2412K,NPN,200mW,SC-59,TP,120-270	
Q13	0501-002080	TR-SMALL SIGNAL	2SC2412K,NPN,200mW,SC-59,TP,120-270	
Q14	0501-002080	TR-SMALL SIGNAL	2SC2412K,NPN,200mW,SC-59,TP,120-270	
Q15	0501-002080	TR-SMALL SIGNAL	2SC2412K,NPN,200mW,SC-59,TP,120-270	
Q16	0501-002080	TR-SMALL SIGNAL	2SC2412K,NPN,200mW,SC-59,TP,120-270	
Q21	0501-002080	TR-SMALL SIGNAL	2SC2412K,NPN,200mW,SC-59,TP,120-270	
Q22	0501-002080	TR-SMALL SIGNAL	2SC2412K,NPN,200mW,SC-59,TP,120-270	
Q23	0501-002080	TR-SMALL SIGNAL	2SC2412K,NPN,200mW,SC-59,TP,120-270	
Q24	0501-002080	TR-SMALL SIGNAL	2SC2412K,NPN,200mW,SC-59,TP,120-270	
Q403	0501-002080	TR-SMALL SIGNAL	2SC2412K,NPN,200mW,SC-59,TP,120-270	
Q41	0501-002080	TR-SMALL SIGNAL	2SC2412K,NPN,200mW,SC-59,TP,120-270	
Q42	0501-002080	TR-SMALL SIGNAL	2SC2412K,NPN,200mW,SC-59,TP,120-270	
Q43	0501-002080	TR-SMALL SIGNAL	2SC2412K,NPN,200mW,SC-59,TP,120-270	
Q44	0501-002080	TR-SMALL SIGNAL	2SC2412K,NPN,200mW,SC-59,TP,120-270	
R1005	2007-000078	R-CHIP	1Kohm,5%,1/16W,DA,TP,1608	

Loc. No.	Code No.	Description	Specification	Remarks
R1006	2007-000074	R-CHIP	100ohm,5%,1/16W,DA,TP,1608	
R1007	2007-000070	R-CHIP	0ohm,5%,1/16W,DA,TP,1608	
R1008	2007-000074	R-CHIP	100ohm,5%,1/16W,DA,TP,1608	
R1009	2007-000070	R-CHIP	0ohm,5%,1/16W,DA,TP,1608	
R1010	2007-000070	R-CHIP	0ohm,5%,1/16W,DA,TP,1608	
R1011	2007-000070	R-CHIP	0ohm,5%,1/16W,DA,TP,1608	
R1012	2007-000070	R-CHIP	0ohm,5%,1/16W,DA,TP,1608	
R1013	2007-000070	R-CHIP	0ohm,5%,1/16W,DA,TP,1608	
R1014	2007-000074	R-CHIP	100ohm,5%,1/16W,DA,TP,1608	
R1015	2007-000074	R-CHIP	100ohm,5%,1/16W,DA,TP,1608	
R1016	2007-000074	R-CHIP	100ohm,5%,1/16W,DA,TP,1608	
R1017	2007-000132	R-CHIP	180Kohm,5%,1/16W,DA,TP,1608	
R1018	2007-000132	R-CHIP	180Kohm,5%,1/16W,DA,TP,1608	
R1019	2007-000132	R-CHIP	180Kohm,5%,1/16W,DA,TP,1608	
R1020	2007-000402	R-CHIP	150ohm,5%,1/16W,DA,TP,1608	
R1021	2007-000402	R-CHIP	150ohm,5%,1/16W,DA,TP,1608	
R1022	2007-000402	R-CHIP	150ohm,5%,1/16W,DA,TP,1608	
R1023	2007-000125	R-CHIP	3.9Kohm,5%,1/16W,DA,TP,1608	
R11	2007-000078	R-CHIP	1Kohm,5%,1/16W,DA,TP,1608	
R110	2007-000071	R-CHIP	22ohm,5%,1/16W,DA,TP,1608	
R111	2007-000071	R-CHIP	22ohm,5%,1/16W,DA,TP,1608	
R112	2007-000071	R-CHIP	22ohm,5%,1/16W,DA,TP,1608	
R113	2007-000132	R-CHIP	180Kohm,5%,1/16W,DA,TP,1608	
R114	2007-000132	R-CHIP	180Kohm,5%,1/16W,DA,TP,1608	
R115	2007-000132	R-CHIP	180Kohm,5%,1/16W,DA,TP,1608	
R116	2007-000092	R-CHIP	15Kohm,5%,1/16W,DA,TP,1608	
R117	2007-000092	R-CHIP	15Kohm,5%,1/16W,DA,TP,1608	
R118	2007-000070	R-CHIP	0ohm,5%,1/16W,DA,TP,1608	
R119	2007-000070	R-CHIP	0ohm,5%,1/16W,DA,TP,1608	
R12	2007-000078	R-CHIP	1Kohm,5%,1/16W,DA,TP,1608	
R120	2007-000070	R-CHIP	0ohm,5%,1/16W,DA,TP,1608	
R121	2007-000074	R-CHIP	100ohm,5%,1/16W,DA,TP,1608	
R122	2007-000074	R-CHIP	100ohm,5%,1/16W,DA,TP,1608	
R123	2007-000074	R-CHIP	100ohm,5%,1/16W,DA,TP,1608	
R124	2007-000074	R-CHIP	100ohm,5%,1/16W,DA,TP,1608	
R125	2007-000074	R-CHIP	100ohm,5%,1/16W,DA,TP,1608	
R126	2007-000074	R-CHIP	100ohm,5%,1/16W,DA,TP,1608	
R127	2007-000074	R-CHIP	100ohm,5%,1/16W,DA,TP,1608	
R128	2007-000074	R-CHIP	100ohm,5%,1/16W,DA,TP,1608	
R13	2007-000124	R-CHIP	2.2Kohm,5%,1/16W,DA,TP,1608	
R130	2007-000074	R-CHIP	100ohm,5%,1/16W,DA,TP,1608	
R131	2007-000074	R-CHIP	100ohm,5%,1/16W,DA,TP,1608	
R132	2007-000084	R-CHIP	4.7Kohm,5%,1/16W,DA,TP,1608	
R133	2007-000084	R-CHIP	4.7Kohm,5%,1/16W,DA,TP,1608	
R135	2007-000084	R-CHIP	4.7Kohm,5%,1/16W,DA,TP,1608	
R137	2007-000084	R-CHIP	4.7Kohm,5%,1/16W,DA,TP,1608	
R138	2007-000084	R-CHIP	4.7Kohm,5%,1/16W,DA,TP,1608	
R139	2007-000090	R-CHIP	10KOHM,5%,1/16W,DA,TP,1608	
R140	2007-000090	R-CHIP	10KOHM,5%,1/16W,DA,TP,1608	
R141	2007-000090	R-CHIP	10KOHM,5%,1/16W,DA,TP,1608	
R142	2007-000090	R-CHIP	10KOHM,5%,1/16W,DA,TP,1608	
R143	2007-000071	R-CHIP	22ohm,5%,1/16W,DA,TP,1608	
R1431	2007-000070	R-CHIP	0ohm,5%,1/16W,DA,TP,1608	
R144	2007-001167	R-CHIP	75ohm,5%,1/16W,DA,TP,1608	
R145	2007-001167	R-CHIP	75ohm,5%,1/16W,DA,TP,1608	
R146	2007-001167	R-CHIP	75ohm,5%,1/16W,DA,TP,1608	
R147	2007-001167	R-CHIP	75ohm,5%,1/16W,DA,TP,1608	
R148	2007-000102	R-CHIP	100Kohm,5%,1/16W,DA,TP,1608	
R149	2007-000102	R-CHIP	100Kohm,5%,1/16W,DA,TP,1608	

Loc. No.	Code No.	Description	Specification	Remarks
R15	2007-000077	R-CHIP	470ohm,5%,1/16W,DA,TP,1608	
R150	2007-000102	R-CHIP	100Kohm,5%,1/16W,DA,TP,1608	
R151	2007-000102	R-CHIP	100Kohm,5%,1/16W,DA,TP,1608	
R16	2007-000077	R-CHIP	470ohm,5%,1/16W,DA,TP,1608	
R17	2007-000077	R-CHIP	470ohm,5%,1/16W,DA,TP,1608	
R18	2007-000077	R-CHIP	470ohm,5%,1/16W,DA,TP,1608	
R19	2007-000070	R-CHIP	0ohm,5%,1/16W,DA,TP,1608	
R21	2007-000078	R-CHIP	1Kohm,5%,1/16W,DA,TP,1608	
R210	2007-000077	R-CHIP	470ohm,5%,1/16W,DA,TP,1608	
R211	2007-000077	R-CHIP	470ohm,5%,1/16W,DA,TP,1608	
R212	2007-000077	R-CHIP	470ohm,5%,1/16W,DA,TP,1608	
R213	2007-000098	R-CHIP	56Kohm,5%,1/16W,DA,TP,1608	
R214	2007-000098	R-CHIP	56Kohm,5%,1/16W,DA,TP,1608	
R215	2007-000070	R-CHIP	0ohm,5%,1/16W,DA,TP,1608	
R216	2007-000070	R-CHIP	0ohm,5%,1/16W,DA,TP,1608	
R217	2007-000070	R-CHIP	0ohm,5%,1/16W,DA,TP,1608	
R218	2007-000070	R-CHIP	0ohm,5%,1/16W,DA,TP,1608	
R219	2007-000075	R-CHIP	220ohm,5%,1/16W,DA,TP,1608	
R22	2007-000078	R-CHIP	1Kohm,5%,1/16W,DA,TP,1608	
R220	2007-000074	R-CHIP	100ohm,5%,1/16W,DA,TP,1608	
R221	2007-000074	R-CHIP	100ohm,5%,1/16W,DA,TP,1608	
R222	2007-000074	R-CHIP	100ohm,5%,1/16W,DA,TP,1608	
R223	2007-000074	R-CHIP	100ohm,5%,1/16W,DA,TP,1608	
R224	2007-000074	R-CHIP	100ohm,5%,1/16W,DA,TP,1608	
R225	2007-000074	R-CHIP	100ohm,5%,1/16W,DA,TP,1608	
R226	2007-000074	R-CHIP	100ohm,5%,1/16W,DA,TP,1608	
R227	2007-000074	R-CHIP	100ohm,5%,1/16W,DA,TP,1608	
R228	2007-000074	R-CHIP	100ohm,5%,1/16W,DA,TP,1608	
R229	2007-000074	R-CHIP	100ohm,5%,1/16W,DA,TP,1608	
R23	2007-000078	R-CHIP	1Kohm,5%,1/16W,DA,TP,1608	
R230	2007-000074	R-CHIP	100ohm,5%,1/16W,DA,TP,1608	
R234	2007-000074	R-CHIP	100ohm,5%,1/16W,DA,TP,1608	
R235	2007-000074	R-CHIP	100ohm,5%,1/16W,DA,TP,1608	
R236	2007-000074	R-CHIP	100ohm,5%,1/16W,DA,TP,1608	
R237	2007-000071	R-CHIP	22ohm,5%,1/16W,DA,TP,1608	
R238	2007-000071	R-CHIP	22ohm,5%,1/16W,DA,TP,1608	
R239	2007-000084	R-CHIP	4.7Kohm,5%,1/16W,DA,TP,1608	
R24	2007-000078	R-CHIP	1Kohm,5%,1/16W,DA,TP,1608	
R240	2007-000084	R-CHIP	4.7Kohm,5%,1/16W,DA,TP,1608	
R241	2007-000084	R-CHIP	4.7Kohm,5%,1/16W,DA,TP,1608	
R242	2007-000084	R-CHIP	4.7Kohm,5%,1/16W,DA,TP,1608	
R243	2007-000084	R-CHIP	4.7Kohm,5%,1/16W,DA,TP,1608	
R244	2007-000084	R-CHIP	4.7Kohm,5%,1/16W,DA,TP,1608	
R245	2007-000084	R-CHIP	4.7Kohm,5%,1/16W,DA,TP,1608	
R246	2007-000084	R-CHIP	4.7Kohm,5%,1/16W,DA,TP,1608	
R247	2007-000084	R-CHIP	4.7Kohm,5%,1/16W,DA,TP,1608	
R248	2007-000084	R-CHIP	4.7Kohm,5%,1/16W,DA,TP,1608	
R249	2007-000084	R-CHIP	4.7Kohm,5%,1/16W,DA,TP,1608	
R25	2007-000078	R-CHIP	1Kohm,5%,1/16W,DA,TP,1608	
R250	2007-000084	R-CHIP	4.7Kohm,5%,1/16W,DA,TP,1608	
R251	2007-000084	R-CHIP	4.7Kohm,5%,1/16W,DA,TP,1608	
R252	2007-000084	R-CHIP	4.7Kohm,5%,1/16W,DA,TP,1608	
R253	2007-000084	R-CHIP	4.7Kohm,5%,1/16W,DA,TP,1608	
R254	2007-000084	R-CHIP	4.7Kohm,5%,1/16W,DA,TP,1608	
R255	2007-000090	R-CHIP	10KOHM,5%,1/16W,DA,TP,1608	
R2550	2007-000074	R-CHIP	100ohm,5%,1/16W,DA,TP,1608	
R2551	2007-000074	R-CHIP	100ohm,5%,1/16W,DA,TP,1608	
R2552	2007-000075	R-CHIP	220ohm,5%,1/16W,DA,TP,1608	
R2553	2007-000075	R-CHIP	220ohm,5%,1/16W,DA,TP,1608	

Loc. No.	Code No.	Description	Specification	Remarks
R2554	2007-000075	R-CHIP	220ohm,5%,1/16W,DA,TP,1608	
R2555	2007-000075	R-CHIP	220ohm,5%,1/16W,DA,TP,1608	
R2556	2007-000070	R-CHIP	0ohm,5%,1/16W,DA,TP,1608	
R2557	2007-000070	R-CHIP	0ohm,5%,1/16W,DA,TP,1608	
R2558	2007-000070	R-CHIP	0ohm,5%,1/16W,DA,TP,1608	
R256	2007-000090	R-CHIP	10KOHM,5%,1/16W,DA,TP,1608	
R257	2007-000090	R-CHIP	10KOHM,5%,1/16W,DA,TP,1608	
R2570	2007-000070	R-CHIP	0ohm,5%,1/16W,DA,TP,1608	
R258	2007-000090	R-CHIP	10KOHM,5%,1/16W,DA,TP,1608	
R2584	2007-000070	R-CHIP	0ohm,5%,1/16W,DA,TP,1608	
R26	2007-000078	R-CHIP	1Kohm,5%,1/16W,DA,TP,1608	
R2635	2007-000084	R-CHIP	4.7Kohm,5%,1/16W,DA,TP,1608	
R27	2007-000078	R-CHIP	1Kohm,5%,1/16W,DA,TP,1608	
R28	2007-000078	R-CHIP	1Kohm,5%,1/16W,DA,TP,1608	
R29	2007-000077	R-CHIP	470ohm,5%,1/16W,DA,TP,1608	
R31	2007-000078	R-CHIP	1Kohm,5%,1/16W,DA,TP,1608	
R310	2007-000070	R-CHIP	0ohm,5%,1/16W,DA,TP,1608	
R311	2007-000070	R-CHIP	0ohm,5%,1/16W,DA,TP,1608	
R312	2007-000070	R-CHIP	0ohm,5%,1/16W,DA,TP,1608	
R313	2007-000070	R-CHIP	0ohm,5%,1/16W,DA,TP,1608	
R314	2007-000070	R-CHIP	0ohm,5%,1/16W,DA,TP,1608	
R315	2007-000070	R-CHIP	0ohm,5%,1/16W,DA,TP,1608	
R316	2007-000113	R-CHIP	33ohm,5%,1/16W,DA,TP,1608	
R317	2007-000113	R-CHIP	33ohm,5%,1/16W,DA,TP,1608	
R318	2007-000113	R-CHIP	33ohm,5%,1/16W,DA,TP,1608	
R319	2007-000113	R-CHIP	33ohm,5%,1/16W,DA,TP,1608	
R32	2007-000078	R-CHIP	1Kohm,5%,1/16W,DA,TP,1608	
R320	2007-001026	R-CHIP	560Kohm,5%,1/16W,DA,TP,1608	
R321	2007-000309	R-CHIP	10ohm,5%,1/16W,DA,TP,1608	
R322	2007-000309	R-CHIP	10ohm,5%,1/16W,DA,TP,1608	
R323	2007-000309	R-CHIP	10ohm,5%,1/16W,DA,TP,1608	
R324	2007-000309	R-CHIP	10ohm,5%,1/16W,DA,TP,1608	
R325	2007-000309	R-CHIP	10ohm,5%,1/16W,DA,TP,1608	
R326	2007-000309	R-CHIP	10ohm,5%,1/16W,DA,TP,1608	
R327	2007-000074	R-CHIP	100ohm,5%,1/16W,DA,TP,1608	
R328	2007-000074	R-CHIP	100ohm,5%,1/16W,DA,TP,1608	
R329	2007-000074	R-CHIP	100ohm,5%,1/16W,DA,TP,1608	
R33	2007-000070	R-CHIP	0ohm,5%,1/16W,DA,TP,1608	
R330	2007-000074	R-CHIP	100ohm,5%,1/16W,DA,TP,1608	
R331	2007-000074	R-CHIP	100ohm,5%,1/16W,DA,TP,1608	
R332	2007-000074	R-CHIP	100ohm,5%,1/16W,DA,TP,1608	
R333	2007-000074	R-CHIP	100ohm,5%,1/16W,DA,TP,1608	
R334	2007-000074	R-CHIP	100ohm,5%,1/16W,DA,TP,1608	
R3345	2007-000113	R-CHIP	33ohm,5%,1/16W,DA,TP,1608	
R335	2007-000074	R-CHIP	100ohm,5%,1/16W,DA,TP,1608	
R336	2007-000074	R-CHIP	100ohm,5%,1/16W,DA,TP,1608	
R337	2007-000074	R-CHIP	100ohm,5%,1/16W,DA,TP,1608	
R338	2007-000074	R-CHIP	100ohm,5%,1/16W,DA,TP,1608	
R339	2007-000074	R-CHIP	100ohm,5%,1/16W,DA,TP,1608	
R34	2007-000070	R-CHIP	0ohm,5%,1/16W,DA,TP,1608	
R340	2007-000074	R-CHIP	100ohm,5%,1/16W,DA,TP,1608	
R341	2007-000074	R-CHIP	100ohm,5%,1/16W,DA,TP,1608	
R342	2007-000074	R-CHIP	100ohm,5%,1/16W,DA,TP,1608	
R343	2007-000074	R-CHIP	100ohm,5%,1/16W,DA,TP,1608	
R344	2007-000074	R-CHIP	100ohm,5%,1/16W,DA,TP,1608	
R345	2007-000074	R-CHIP	100ohm,5%,1/16W,DA,TP,1608	
R346	2007-000074	R-CHIP	100ohm,5%,1/16W,DA,TP,1608	
R347	2007-000074	R-CHIP	100ohm,5%,1/16W,DA,TP,1608	
R348	2007-000074	R-CHIP	100ohm,5%,1/16W,DA,TP,1608	



Loc. No.	Code No.	Description	Specification	Remarks
R349	2007-000074	R-CHIP	100ohm,5%,1/16W,DA,TP,1608	
R35	2007-000070	R-CHIP	0ohm,5%,1/16W,DA,TP,1608	
R350	2007-000074	R-CHIP	100ohm,5%,1/16W,DA,TP,1608	
R351	2007-000074	R-CHIP	100ohm,5%,1/16W,DA,TP,1608	
R352	2007-000074	R-CHIP	100ohm,5%,1/16W,DA,TP,1608	
R353	2007-000071	R-CHIP	22ohm,5%,1/16W,DA,TP,1608	
R354	2007-000071	R-CHIP	22ohm,5%,1/16W,DA,TP,1608	
R355	2007-000071	R-CHIP	22ohm,5%,1/16W,DA,TP,1608	
R356	2007-000071	R-CHIP	22ohm,5%,1/16W,DA,TP,1608	
R357	2007-000071	R-CHIP	22ohm,5%,1/16W,DA,TP,1608	
R358	2007-000071	R-CHIP	22ohm,5%,1/16W,DA,TP,1608	
R359	2007-000071	R-CHIP	22ohm,5%,1/16W,DA,TP,1608	
R36	2007-000070	R-CHIP	0ohm,5%,1/16W,DA,TP,1608	
R360	2007-000071	R-CHIP	22ohm,5%,1/16W,DA,TP,1608	
R361	2007-000071	R-CHIP	22ohm,5%,1/16W,DA,TP,1608	
R362	2007-000071	R-CHIP	22ohm,5%,1/16W,DA,TP,1608	
R363	2007-000071	R-CHIP	22ohm,5%,1/16W,DA,TP,1608	
R364	2007-000071	R-CHIP	22ohm,5%,1/16W,DA,TP,1608	
R365	2007-000071	R-CHIP	22ohm,5%,1/16W,DA,TP,1608	
R366	2007-000071	R-CHIP	22ohm,5%,1/16W,DA,TP,1608	
R367	2007-000071	R-CHIP	22ohm,5%,1/16W,DA,TP,1608	
R368	2007-000071	R-CHIP	22ohm,5%,1/16W,DA,TP,1608	
R369	2007-000071	R-CHIP	22ohm,5%,1/16W,DA,TP,1608	
R37	2007-000070	R-CHIP	0ohm,5%,1/16W,DA,TP,1608	
R371	2007-000084	R-CHIP	4.7Kohm,5%,1/16W,DA,TP,1608	
R372	2007-000090	R-CHIP	10KOHM,5%,1/16W,DA,TP,1608	
R373	2007-000090	R-CHIP	10KOHM,5%,1/16W,DA,TP,1608	
R374	2007-000090	R-CHIP	10KOHM,5%,1/16W,DA,TP,1608	
R3745	2007-000113	R-CHIP	33ohm,5%,1/16W,DA,TP,1608	
R375	2007-001167	R-CHIP	75ohm,5%,1/16W,DA,TP,1608	
R376	2007-001167	R-CHIP	75ohm,5%,1/16W,DA,TP,1608	
R377	2007-001167	R-CHIP	75ohm,5%,1/16W,DA,TP,1608	
R378	2007-001167	R-CHIP	75ohm,5%,1/16W,DA,TP,1608	
R379	2007-001167	R-CHIP	75ohm,5%,1/16W,DA,TP,1608	
R38	2007-000070	R-CHIP	0ohm,5%,1/16W,DA,TP,1608	
R380	2007-001167	R-CHIP	75ohm,5%,1/16W,DA,TP,1608	
R381	2007-001167	R-CHIP	75ohm,5%,1/16W,DA,TP,1608	
R382	2007-001167	R-CHIP	75ohm,5%,1/16W,DA,TP,1608	
R383	2007-001167	R-CHIP	75ohm,5%,1/16W,DA,TP,1608	
R384	2007-000072	R-CHIP	47ohm,5%,1/16W,DA,TP,1608	
R39	2007-000070	R-CHIP	0ohm,5%,1/16W,DA,TP,1608	
R41	2007-000092	R-CHIP	15Kohm,5%,1/16W,DA,TP,1608	
R410	2007-000070	R-CHIP	0ohm,5%,1/16W,DA,TP,1608	
R411	2007-000070	R-CHIP	0ohm,5%,1/16W,DA,TP,1608	
R412	2007-000070	R-CHIP	0ohm,5%,1/16W,DA,TP,1608	
R413	2007-000070	R-CHIP	0ohm,5%,1/16W,DA,TP,1608	
R414	2007-000070	R-CHIP	0ohm,5%,1/16W,DA,TP,1608	
R415	2007-000070	R-CHIP	0ohm,5%,1/16W,DA,TP,1608	
R416	2007-000070	R-CHIP	0ohm,5%,1/16W,DA,TP,1608	
R417	2007-000070	R-CHIP	0ohm,5%,1/16W,DA,TP,1608	
R418	2007-000070	R-CHIP	0ohm,5%,1/16W,DA,TP,1608	
R419	2007-000070	R-CHIP	0ohm,5%,1/16W,DA,TP,1608	
R42	2007-000084	R-CHIP	4.7Kohm,5%,1/16W,DA,TP,1608	
R420	2007-000070	R-CHIP	0ohm,5%,1/16W,DA,TP,1608	
R421	2007-000070	R-CHIP	0ohm,5%,1/16W,DA,TP,1608	
R43	2007-000077	R-CHIP	470ohm,5%,1/16W,DA,TP,1608	
R432	2007-000070	R-CHIP	0ohm,5%,1/16W,DA,TP,1608	
R433	2007-000070	R-CHIP	0ohm,5%,1/16W,DA,TP,1608	
R434	2007-000070	R-CHIP	0ohm,5%,1/16W,DA,TP,1608	

Loc. No.	Code No.	Description	Specification	Remarks
R436	2007-000074	R-CHIP	100ohm,5%,1/16W,DA,TP,1608	
R437	2007-000074	R-CHIP	100ohm,5%,1/16W,DA,TP,1608	
R438	2007-000074	R-CHIP	100ohm,5%,1/16W,DA,TP,1608	
R439	2007-000074	R-CHIP	100ohm,5%,1/16W,DA,TP,1608	
R44	2007-000077	R-CHIP	470ohm,5%,1/16W,DA,TP,1608	
R440	2007-000074	R-CHIP	100ohm,5%,1/16W,DA,TP,1608	
R441	2007-000074	R-CHIP	100ohm,5%,1/16W,DA,TP,1608	
R442	2007-000074	R-CHIP	100ohm,5%,1/16W,DA,TP,1608	
R443	2007-000074	R-CHIP	100ohm,5%,1/16W,DA,TP,1608	
R444	2007-000074	R-CHIP	100ohm,5%,1/16W,DA,TP,1608	
R445	2007-000094	R-CHIP	22Kohm,5%,1/16W,DA,TP,1608	
R446	2007-000094	R-CHIP	22Kohm,5%,1/16W,DA,TP,1608	
R447	2007-000094	R-CHIP	22Kohm,5%,1/16W,DA,TP,1608	
R448	2007-000094	R-CHIP	22Kohm,5%,1/16W,DA,TP,1608	
R449	2007-000094	R-CHIP	22Kohm,5%,1/16W,DA,TP,1608	
R45	2007-000077	R-CHIP	470ohm,5%,1/16W,DA,TP,1608	
R450	2007-000094	R-CHIP	22Kohm,5%,1/16W,DA,TP,1608	
R451	2007-000094	R-CHIP	22Kohm,5%,1/16W,DA,TP,1608	
R452	2007-000094	R-CHIP	22Kohm,5%,1/16W,DA,TP,1608	
R453	2007-000084	R-CHIP	4.7Kohm,5%,1/16W,DA,TP,1608	
R4532	2007-000102	R-CHIP	100Kohm,5%,1/16W,DA,TP,1608	
R4535	2007-001167	R-CHIP	75ohm,5%,1/16W,DA,TP,1608	
R4536	2007-001167	R-CHIP	75ohm,5%,1/16W,DA,TP,1608	
R4537	2007-001167	R-CHIP	75ohm,5%,1/16W,DA,TP,1608	
R4538	2007-001167	R-CHIP	75ohm,5%,1/16W,DA,TP,1608	
R4539	2007-000070	R-CHIP	0ohm,5%,1/16W,DA,TP,1608	
R454	2007-000084	R-CHIP	4.7Kohm,5%,1/16W,DA,TP,1608	
R4540	2007-000070	R-CHIP	0ohm,5%,1/16W,DA,TP,1608	
R4541	2007-000070	R-CHIP	0ohm,5%,1/16W,DA,TP,1608	
R4542	2007-000070	R-CHIP	0ohm,5%,1/16W,DA,TP,1608	
R4543	2007-000070	R-CHIP	0ohm,5%,1/16W,DA,TP,1608	
R4544	2007-000070	R-CHIP	0ohm,5%,1/16W,DA,TP,1608	
R4545	2007-000070	R-CHIP	0ohm,5%,1/16W,DA,TP,1608	
R4546	2007-000070	R-CHIP	0ohm,5%,1/16W,DA,TP,1608	
R455	2007-000084	R-CHIP	4.7Kohm,5%,1/16W,DA,TP,1608	
R456	2007-000084	R-CHIP	4.7Kohm,5%,1/16W,DA,TP,1608	
R459	2007-000084	R-CHIP	4.7Kohm,5%,1/16W,DA,TP,1608	
R46	2007-000070	R-CHIP	0ohm,5%,1/16W,DA,TP,1608	
R461	2007-000090	R-CHIP	10KOHM,5%,1/16W,DA,TP,1608	
R462	2007-000090	R-CHIP	10KOHM,5%,1/16W,DA,TP,1608	
R464	2007-001167	R-CHIP	75ohm,5%,1/16W,DA,TP,1608	
R465	2007-001167	R-CHIP	75ohm,5%,1/16W,DA,TP,1608	
R467	2007-001167	R-CHIP	75ohm,5%,1/16W,DA,TP,1608	
R468	2007-000078	R-CHIP	1Kohm,5%,1/16W,DA,TP,1608	
R469	2007-000078	R-CHIP	1Kohm,5%,1/16W,DA,TP,1608	
R47	2007-000070	R-CHIP	0ohm,5%,1/16W,DA,TP,1608	
R470	2007-001167	R-CHIP	75ohm,5%,1/16W,DA,TP,1608	
R471	2007-000078	R-CHIP	1Kohm,5%,1/16W,DA,TP,1608	
R472	2007-001167	R-CHIP	75ohm,5%,1/16W,DA,TP,1608	
R473	2007-000078	R-CHIP	1Kohm,5%,1/16W,DA,TP,1608	
R474	2007-001167	R-CHIP	75ohm,5%,1/16W,DA,TP,1608	
R475	2007-000072	R-CHIP	47ohm,5%,1/16W,DA,TP,1608	
R476	2007-000102	R-CHIP	100Kohm,5%,1/16W,DA,TP,1608	
R48	2007-000070	R-CHIP	0ohm,5%,1/16W,DA,TP,1608	
R49	2007-000070	R-CHIP	0ohm,5%,1/16W,DA,TP,1608	
R51	2007-000078	R-CHIP	1Kohm,5%,1/16W,DA,TP,1608	
R510	2007-000098	R-CHIP	56Kohm,5%,1/16W,DA,TP,1608	
R511	2007-000098	R-CHIP	56Kohm,5%,1/16W,DA,TP,1608	
R512	2007-000070	R-CHIP	0ohm,5%,1/16W,DA,TP,1608	

Loc. No.	Code No.	Description	Specification	Remarks
R513	2007-000070	R-CHIP	0ohm,5%,1/16W,DA,TP,1608	
R514	2007-000070	R-CHIP	0ohm,5%,1/16W,DA,TP,1608	
R516	2007-000074	R-CHIP	100ohm,5%,1/16W,DA,TP,1608	
R517	2007-000074	R-CHIP	100ohm,5%,1/16W,DA,TP,1608	
R518	2007-000074	R-CHIP	100ohm,5%,1/16W,DA,TP,1608	
R519	2007-000074	R-CHIP	100ohm,5%,1/16W,DA,TP,1608	
R52	2007-000097	R-CHIP	47Kohm,5%,1/16W,DA,TP,1608	
R520	2007-000074	R-CHIP	100ohm,5%,1/16W,DA,TP,1608	
R521	2007-000074	R-CHIP	100ohm,5%,1/16W,DA,TP,1608	
R522	2007-000074	R-CHIP	100ohm,5%,1/16W,DA,TP,1608	
R523	2007-000074	R-CHIP	100ohm,5%,1/16W,DA,TP,1608	
R524	2007-000074	R-CHIP	100ohm,5%,1/16W,DA,TP,1608	
R525	2007-000074	R-CHIP	100ohm,5%,1/16W,DA,TP,1608	
R526	2007-000074	R-CHIP	100ohm,5%,1/16W,DA,TP,1608	
R527	2007-000084	R-CHIP	4.7Kohm,5%,1/16W,DA,TP,1608	
R528	2007-000074	R-CHIP	100ohm,5%,1/16W,DA,TP,1608	
R529	2007-000074	R-CHIP	100ohm,5%,1/16W,DA,TP,1608	
R53	2007-000097	R-CHIP	47Kohm,5%,1/16W,DA,TP,1608	
R530	2007-000074	R-CHIP	100ohm,5%,1/16W,DA,TP,1608	
R531	2007-000074	R-CHIP	100ohm,5%,1/16W,DA,TP,1608	
R532	2007-000074	R-CHIP	100ohm,5%,1/16W,DA,TP,1608	
R533	2007-000074	R-CHIP	100ohm,5%,1/16W,DA,TP,1608	
R534	2007-000074	R-CHIP	100ohm,5%,1/16W,DA,TP,1608	
R535	2007-000074	R-CHIP	100ohm,5%,1/16W,DA,TP,1608	
R536	2007-000074	R-CHIP	100ohm,5%,1/16W,DA,TP,1608	
R537	2007-000074	R-CHIP	100ohm,5%,1/16W,DA,TP,1608	
R538	2007-000074	R-CHIP	100ohm,5%,1/16W,DA,TP,1608	
R539	2007-000084	R-CHIP	4.7Kohm,5%,1/16W,DA,TP,1608	
R54	2007-000090	R-CHIP	10KOHM,5%,1/16W,DA,TP,1608	
R540	2007-000090	R-CHIP	10KOHM,5%,1/16W,DA,TP,1608	
R541	2007-000090	R-CHIP	10KOHM,5%,1/16W,DA,TP,1608	
R542	2007-000102	R-CHIP	100Kohm,5%,1/16W,DA,TP,1608	
R543	2007-000308	R-CHIP	100HM,5%,1/10W,DA,TP,2012	
R544	2007-000308	R-CHIP	100HM,5%,1/10W,DA,TP,2012	
R545	2007-000076	R-CHIP	330ohm,5%,1/16W,DA,TP,1608	
R546	2007-000076	R-CHIP	330ohm,5%,1/16W,DA,TP,1608	
R547	2007-000109	R-CHIP	1Mohm,5%,1/16W,DA,TP,1608	
R548	2007-000981	R-CHIP	5.6KOHM,5%,1/10W,DA,TP,2012	
R549	2007-000518	R-CHIP	2.7KOHM,5%,1/10W,DA,TP,2012	
R55	2007-000090	R-CHIP	10KOHM,5%,1/16W,DA,TP,1608	
R550	2007-000979	R-CHIP	5.6Kohm,1%,1/16W,DA,TP,1608	
R551	2007-000979	R-CHIP	5.6Kohm,1%,1/16W,DA,TP,1608	
R552	2007-000093	R-CHIP	20Kohm,5%,1/16W,DA,TP,1608	
R553	2007-000093	R-CHIP	20Kohm,5%,1/16W,DA,TP,1608	
R56	2007-000090	R-CHIP	10KOHM,5%,1/16W,DA,TP,1608	
R57	2007-000090	R-CHIP	10KOHM,5%,1/16W,DA,TP,1608	
R58	2007-000098	R-CHIP	56Kohm,5%,1/16W,DA,TP,1608	
R59	2007-000098	R-CHIP	56Kohm,5%,1/16W,DA,TP,1608	
R61	2007-000072	R-CHIP	47ohm,5%,1/16W,DA,TP,1608	
R610	2007-000072	R-CHIP	47ohm,5%,1/16W,DA,TP,1608	
R611	2007-000072	R-CHIP	47ohm,5%,1/16W,DA,TP,1608	
R612	2007-000072	R-CHIP	47ohm,5%,1/16W,DA,TP,1608	
R613	2007-000072	R-CHIP	47ohm,5%,1/16W,DA,TP,1608	
R614	2007-000072	R-CHIP	47ohm,5%,1/16W,DA,TP,1608	
R615	2007-000072	R-CHIP	47ohm,5%,1/16W,DA,TP,1608	
R616	2007-000072	R-CHIP	47ohm,5%,1/16W,DA,TP,1608	
R617	2007-000072	R-CHIP	47ohm,5%,1/16W,DA,TP,1608	
R618	2007-000072	R-CHIP	47ohm,5%,1/16W,DA,TP,1608	
R619	2007-000072	R-CHIP	47ohm,5%,1/16W,DA,TP,1608	

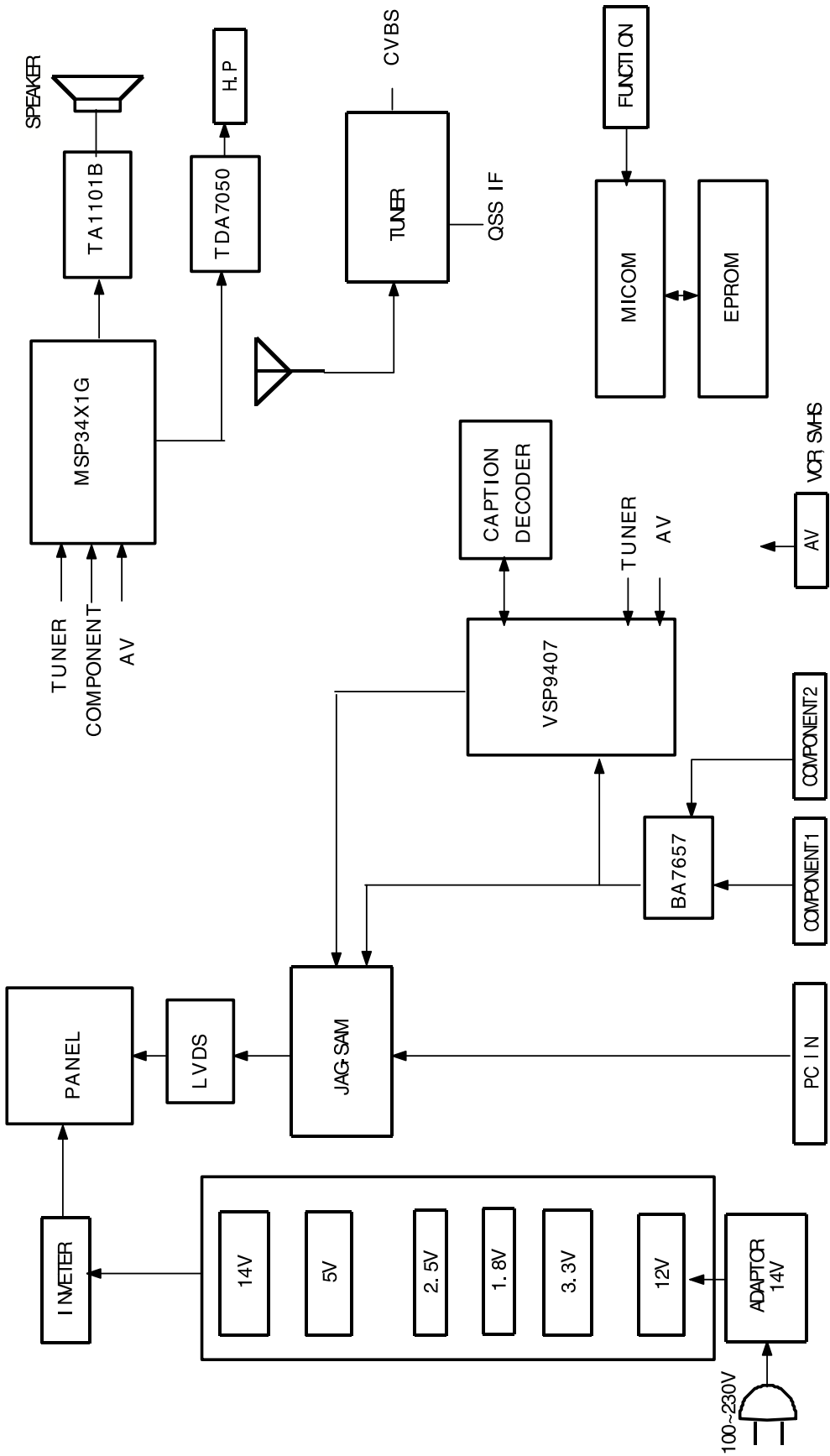
Loc. No.	Code No.	Description	Specification	Remarks
R62	2007-000072	R-CHIP	47ohm,5%,1/16W,DA,TP,1608	
R620	2007-000072	R-CHIP	47ohm,5%,1/16W,DA,TP,1608	
R621	2007-000070	R-CHIP	0ohm,5%,1/16W,DA,TP,1608	
R622	2007-000070	R-CHIP	0ohm,5%,1/16W,DA,TP,1608	
R623	2007-000070	R-CHIP	0ohm,5%,1/16W,DA,TP,1608	
R624	2007-000070	R-CHIP	0ohm,5%,1/16W,DA,TP,1608	
R625	2007-000070	R-CHIP	0ohm,5%,1/16W,DA,TP,1608	
R626	2007-000070	R-CHIP	0ohm,5%,1/16W,DA,TP,1608	
R627	2007-000070	R-CHIP	0ohm,5%,1/16W,DA,TP,1608	
R628	2007-000070	R-CHIP	0ohm,5%,1/16W,DA,TP,1608	
R629	2007-000070	R-CHIP	0ohm,5%,1/16W,DA,TP,1608	
R63	2007-000072	R-CHIP	47ohm,5%,1/16W,DA,TP,1608	
R630	2007-000070	R-CHIP	0ohm,5%,1/16W,DA,TP,1608	
R631	2007-000070	R-CHIP	0ohm,5%,1/16W,DA,TP,1608	
R632	2007-000070	R-CHIP	0ohm,5%,1/16W,DA,TP,1608	
R64	2007-000072	R-CHIP	47ohm,5%,1/16W,DA,TP,1608	
R640	2007-000070	R-CHIP	0ohm,5%,1/16W,DA,TP,1608	
R643	2007-000090	R-CHIP	10KOHM,5%,1/16W,DA,TP,1608	
R65	2007-000072	R-CHIP	47ohm,5%,1/16W,DA,TP,1608	
R66	2007-000072	R-CHIP	47ohm,5%,1/16W,DA,TP,1608	
R67	2007-000072	R-CHIP	47ohm,5%,1/16W,DA,TP,1608	
R68	2007-000072	R-CHIP	47ohm,5%,1/16W,DA,TP,1608	
R69	2007-000072	R-CHIP	47ohm,5%,1/16W,DA,TP,1608	
R837	2007-000102	R-CHIP	100Kohm,5%,1/16W,DA,TP,1608	
R982	2007-000074	R-CHIP	100ohm,5%,1/16W,DA,TP,1608	
R987	2007-001167	R-CHIP	75ohm,5%,1/16W,DA,TP,1608	
R988	2007-001167	R-CHIP	75ohm,5%,1/16W,DA,TP,1608	
R992	2007-001167	R-CHIP	75ohm,5%,1/16W,DA,TP,1608	
RA31	2011-000002	R-NETWORK	22ohm,5%,63mW,L,CHIP,8P,TP	
RA310	2011-000002	R-NETWORK	22ohm,5%,63mW,L,CHIP,8P,TP	
RA311	2011-000002	R-NETWORK	22ohm,5%,63mW,L,CHIP,8P,TP	
RA312	2011-000002	R-NETWORK	22ohm,5%,63mW,L,CHIP,8P,TP	
RA313	2011-000002	R-NETWORK	22ohm,5%,63mW,L,CHIP,8P,TP	
RA314	2011-000002	R-NETWORK	22ohm,5%,63mW,L,CHIP,8P,TP	
RA315	2011-000002	R-NETWORK	22ohm,5%,63mW,L,CHIP,8P,TP	
RA316	2011-000002	R-NETWORK	22ohm,5%,63mW,L,CHIP,8P,TP	
RA317	2011-000002	R-NETWORK	22ohm,5%,63mW,L,CHIP,8P,TP	
RA318	2011-000002	R-NETWORK	22ohm,5%,63mW,L,CHIP,8P,TP	
RA32	2011-000002	R-NETWORK	22ohm,5%,63mW,L,CHIP,8P,TP	
RA33	2011-000002	R-NETWORK	22ohm,5%,63mW,L,CHIP,8P,TP	
RA34	2011-000002	R-NETWORK	22ohm,5%,63mW,L,CHIP,8P,TP	
RA35	2011-000002	R-NETWORK	22ohm,5%,63mW,L,CHIP,8P,TP	
RA36	2011-000002	R-NETWORK	22ohm,5%,63mW,L,CHIP,8P,TP	
RA37	2011-000002	R-NETWORK	22ohm,5%,63mW,L,CHIP,8P,TP	
RA38	2011-000002	R-NETWORK	22ohm,5%,63mW,L,CHIP,8P,TP	
RA39	2011-000002	R-NETWORK	22ohm,5%,63mW,L,CHIP,8P,TP	
U502	2402-000176	C-AL,SMD	10uF,20%,16V,GP,TP,4.3x4.3x5.4	
U503	2402-000176	C-AL,SMD	10uF,20%,16V,GP,TP,4.3x4.3x5.4	
U504	3301-001145	CORE-FERRITE BEAD	AB,4.5x1.6x1.6mm,-,-	SNA
U505	2703-001778	INDUCTOR-SMD	3.3UH,20%,3.2X2.5X2.2MM	
U506	0403-001435	DIODE-ZENER	QZX363C5V6,5.32-5.88,200MW,SOT-363,TP	
U507	0403-001435	DIODE-ZENER	QZX363C5V6,5.32-5.88,200MW,SOT-363,TP	
U508	0403-001435	DIODE-ZENER	QZX363C5V6,5.32-5.88,200MW,SOT-363,TP	
U509	0403-001435	DIODE-ZENER	QZX363C5V6,5.32-5.88,200MW,SOT-363,TP	
X21	2801-003667	CRYSTAL-SMD	14.3182MHZ,50PPM,28-AAN,16,500HM,TP	
X41	2801-004004	CRYSTAL-SMD	20.25MHz,20ppm,28-AAN,13pF,25ohm,TP	
X51	2801-003843	CRYSTAL-SMD	18.432MHz,30ppm,28-AAN,20pF,50ohm,TP	
ZD21	0403-000579	DIODE-ZENER	BZX84C5V1,5.1V,5%,200mW,SOT-23	

**7-2-2 LTM1755(B) Others**

Loc. No.	Code No.	Description	Specification	Remarks
-	BN90-00195E	ASSY STAND	GH17LS	SNA
STD+C/R	6001-000154	SCREW-MACHINE	BH,+M4,L8,NI PLT,SM20C,-	
CIS	BN75-00242A	UNIT-STAND	EOS 15AS/NS,-ABS,-,SV-012P,-,SPRAY,-	
CIS	6003-000009	SCREW-TAPTITE	BH,+B,M4,L16,ZPC(YEL),SWRCH18	SNA
CIS	6003-001010	SCREW-TAPTITE	FH,+B,M3,L6,ZPC(YEL),SWRCH18A	
CIS	6003-001315	SCREW-TAPTITE	BH,+B,M4,L20,ZPC(YEL),SWRCH18A	SNA
CIS	BH73-60339A	RUBBER-LEG	SLC1400,EVA,GRAY,65HB,DIA13*H2	SNA
CIS	BN61-00159A	FRAME-STAND BASE	EOS/NIKE,EGI,T1.2	SNA
CIS	BN61-00184A	STAND-BASE	ES15AS,ABS PC,GR40,SV-012P	SNA
CIS	BN72-00254A	STAND COVER-REAR	EOS 15,ABS,IV16,-,-,HB,-,-,SPRAY	SNA
CIS	BN72-00257A	STAND FRONT	EOS 15,ABS,16,-,-,HB,-,-,SPRAY	SNA
CIS	BN75-00211A	UNIT-HINGE	EOS15,-,SECC T2.0,-,-,-,-,-	SNA
-	BN90-00322N	ASSY COVER REAR	ES17UO	SNA
CIS	BN90-00034B	ASSY REAR-COVER	ES17NS,-,ABS V0,-,SV-012P,-,-,NTSC	SNA
CIS	BN63-00091B	COVER-REAR	ES17NS,ABS,-,-,-,HB,NTSC,IV16,NONE,1.5	SNA
CIS	BN70-00176A	BRACKET VESA	RB15AS,SECC,-,1.0,-,-,-,-,-	SNA
-	BN90-00395B	ASSY COVER FRONT	ES17UO	SNA
C/F+C/R	6003-001319	SCREW-TAPTITE	BH,+B,M3,L10,NI PLT,SWRCH18A,-	SNA
CIS	BN90-00019C	ASSY COVER FRONT	VIRTUAL,HDTV,ABS V0,GR806P	
CIS	6002-000129	SCREW-TAPPING	FH,+2S,M3,L8,ZPC(BLK),SM20C	SNA
CIS	6003-000276	SCREW-TAPTITE	BH,+B,M3,L10,ZPC(YEL),SWCH10	SNA
CIS	BN59-00214A	BOARD	CN17VS,FUNCTION KEY,-,-,-,-,-	SNA
CIS	BN59-00216A	PBA SUB	CN17VS,IR PBA SUB,-,-,-,-,-	SNA
CIS	BN59-00263A	SPEAKER SYSTEM	EOS/NIKE17,EOS/NIKE17-L,100X42,WIRE:240MM	SNA
CIS	BN59-00264A	SPEAKER SYSTEM	EOS/NIKE17,EOS/NIKE17-R,100X42,WIRE:590MM	SNA
CIS	BN63-00090A	COVER-FRONT	ES17AS,ABS,-,-,-,HB,-,IV16,NONE,1.5	SNA
CIS	BN63-00092B	COVER-GRILL	ES17NS,ABS,-,-,-,V0,-,GR60,-	SNA
CIS	BN64-00031A	BADGE-BRAND	RB15AS,AL,T1.4,6.3,40.1,-,SILIVER,-	SNA
CIS	BN64-00035A	KNOB-FUNCTION	EOS15,ABS,IV16,-,-,HB,SPRAY,-,-	SNA
CIS	BN67-00020A	LENS-LED	EOS15,ACRYL,CLEAR,-,-,-,-,-	
-	BN91-00305C	ASSY MISC-ADAPTOR	ES17AS	SNA
CIS	BN44-00063A	ADAPTOR	AD-4914N,EOS17,100-240VAC,47-63 HZ,+14VDC,3.5A,-,49W,-,0 TO +40 C,120°63°31,SA	
-	BN91-00314A	ASSY SHIELD	ES17NS,-,-,-	SNA
CIS	0203-001160	TAPE-FILAMENT	SCOTCH#8915,TO.16,W48,L55M,TRP	SNA
CIS	0203-001244	TAPE-AL FOIL	DK100-30-50,T40uM,W30,L50,SIL	SNA
IN/PCB+SH/PCB	6003-000117	SCREW-TAPTITE	BH,+B,M3,L6,ZPC(YEL),SWRCH18A	SNA
SH/PCB+FU/HAR	6003-000117	SCREW-TAPTITE	BH,+B,M3,L6,ZPC(YEL),SWRCH18A	SNA
C/F+AUD/PCB	6003-000276	SCREW-TAPTITE	BH,+B,M3,L10,ZPC(YEL),SWCH10	SNA
C/F+B/GUIDE	6003-000276	SCREW-TAPTITE	BH,+B,M3,L10,ZPC(YEL),SWCH10	SNA
C/F+SH/PCB	6003-000276	SCREW-TAPTITE	BH,+B,M3,L10,ZPC(YEL),SWCH10	SNA
COM/PCB+C/F	6003-000276	SCREW-TAPTITE	BH,+B,M3,L10,ZPC(YEL),SWCH10	SNA
CIS	6502-001019	CABLE CLAMP	DAMC-10,ID9.9,T7.1,NYLON6.6,GRAY	SNA
CIS	BN39-00202B	LEAD CONNECTOR-ASSY	ES17AS,UJ2835#28,UJ/CSA,12P,-,-,#28,SMH200-12,12505HS-12,BK,-,-,250MM,2835#28,SJ	
CIS	BN39-00202C	LEAD CONNECTOR-ASSY	ES17NS,UJ2835#28,UJ/CSA,12P,-,-,#28,SMH200-12,12505HS-12,BK,700MM,2835#28,CORE,RING	
CIS	BN59-00215A	PBA SUB	CN17VS,AV PBA FUNCTION,-,-,-,-,-	
CIS	BN59-00238A	BOARD-NT JACK	ES15NS,CT1000-0090,-,NT-JACK BOARD,-,-,-	SNA
CIS	BN68-00195X	LABEL-MARK	SEC(EC) PANNEL,ART-PAPER 100G,-,30,10,-,BLK,WHIT,-,-	SNA
CIS	BN70-00192A	BRACKET SUPPORT	RB15AS,SECC,-,0.8,-,-,-,-,-	SNA
-	BN91-00345A	ASSY LCD	ES17UO	SNA
CIS	BN07-00055A	LCD	LTM170EH,L05,ES17AS,1280*1024,383.5*298*15,16.19M,56.0,264*0.264*0.55,5.0,TN,-	
-	BN91-00418A	ASSY CHASSIS	ES17UO	
-	BN92-00285A	ASSY P/MATERIAL	ES17AS	SNA

Loc. No.	Code No.	Description	Specification	Remarks
CIS	0203-001100	TAPE-OPP MASKING	OPP/W75/CLR,T0.05,W75,L800000,CLR	SNA
CIS	BH69-00376D	PACKING-PALLET	ES17AS,WOODEN,-,1232,1032,120,-,-,-	SNA
CIS	BH69-00457A	PACKING-PAD	GH17,FOAM,T3.0,1180,1130	SNA
CIS	BH69-30355E	BAG-PE/N	NK15,PE FOAM,0.5,650,650,NTR	SNA
CIS	BH69-40321J	PACKING-PAD EDGE	PN15VT,B400,-,W140,L1154,-,-,-,SKD	SNA
CIS	BH69-40379A	PACKING-WRAP	LDPE,W500*T0.02,-,-	SNA
CIS	BN68-00129A	LABEL SHIPPING	-,LABEL SHIPPING,ART-PAPER,100G,-,WHT,BLACK,-,-,-	SNA
CIS	BN69-00140T	PAD-PALLET COVER	SUN(LSA810),SW,900,3760,-,-,-,-,-	SNA
CIS	BN69-00242A	CUSHION-R/L	ES17AS,EPS,-,-,-,-,-,M50	SNA
-	BN92-00340A	ASSY LABEL	LTM1755X1/XAA,SEA,UNITED STATES	SNA
CIS	BN68-00234A	LABEL RATING	ES17NS,ADC,PE,T0.05,90,45,SYNC,-,PE NATURE,-,-	SNA
-	BN92-00465A	ASSY BOX	ES17UO	SNA
CIS	BH75-10529C	UNIT-HANDLE/PACKING	S/M170MP,PE-LD,PE-HD,-,WHITE,-	SNA
CIS	BN72-60001A	LEVER TOP	LSD210TL,PE-LD,-,WHITE,-,TFT_LCD	SNA
CIS	BN72-60002C	LEVER BOTTOM	S/M170MP,PE-HD,-,BLUE,-,-	SNA
CIS	BN68-00135A	LABEL BAR CODE	-,ALL,MPRII,DOM,ART-PAPER 90G,-,WHT,BLACK,-,-,-	SNA
CIS	BN69-00267C	BOX	LT17E24C,N/A,CB-SW4,YEL,A-1,-,-,-,L599*W499*H234,-	SNA
-	BN92-00578K	ASSY ACCESSORY	LTM1555BX/XAA,SEA,UNITED STATES	SNA
CIS	BN96-00145K	ASSY ACCESSORY	LTM1555BX/XAA,SEA,UNITED STATES	SNA
CIS	0203-000214	TAPE-OPP MASKING	OPP/W50/CLR,T0.05,W50,L400000,	SNA
CIS	4301-000121	BATTERY-MN	1.5V,-,AAA,10.5x44.5m,HOLDER	SNA
CIS	AA68-00371C	CARD WARRANTY	-,SEA,W/P100(G),1 YEAR	SNA
CIS	BH39-10339X	CBF POWER CORD	DET,SVT,125V/7A,BLK,1830,WALL(ST),MSP-33,MSC-30	
CIS	BH68-00261P	MANUAL	SEAREGISTRATION CARD,SEA,E,USA,MOJO120G,173,234	
CIS	BN39-00043A	CBF SIGNAL	DETACHABLE,-,15P/15P,-,-,-	
CIS	BN59-00302A	REMOCON	,TM71,EOS,37,GR20,SS,DO	
CIS	BN68-00266A	MANUAL-S/D	LTM1555,LTM1755,SAMSUNG,E/F/S/P,ADC,W/P(100G),A4	

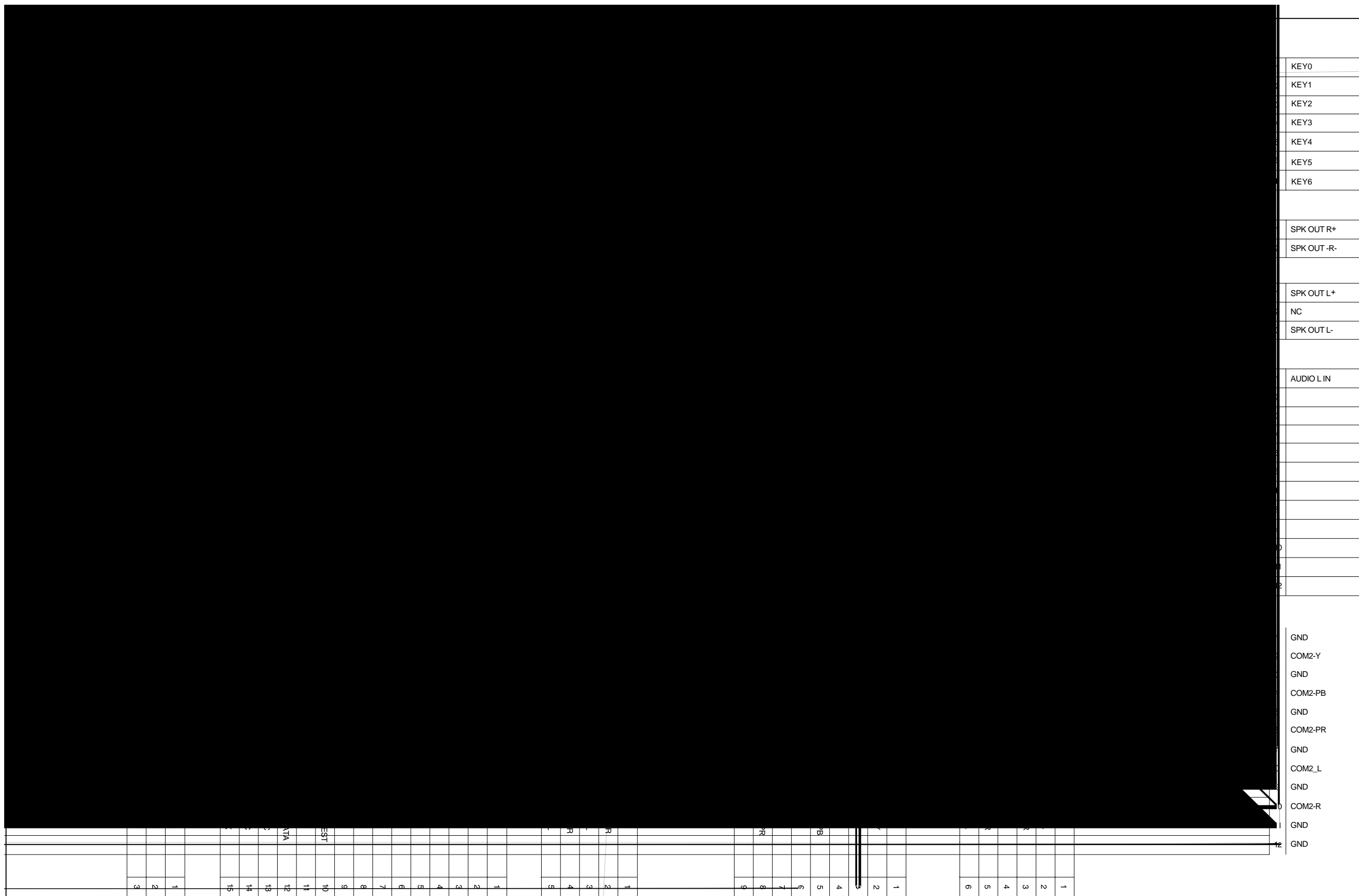
8 Block Diagram



**Memo**



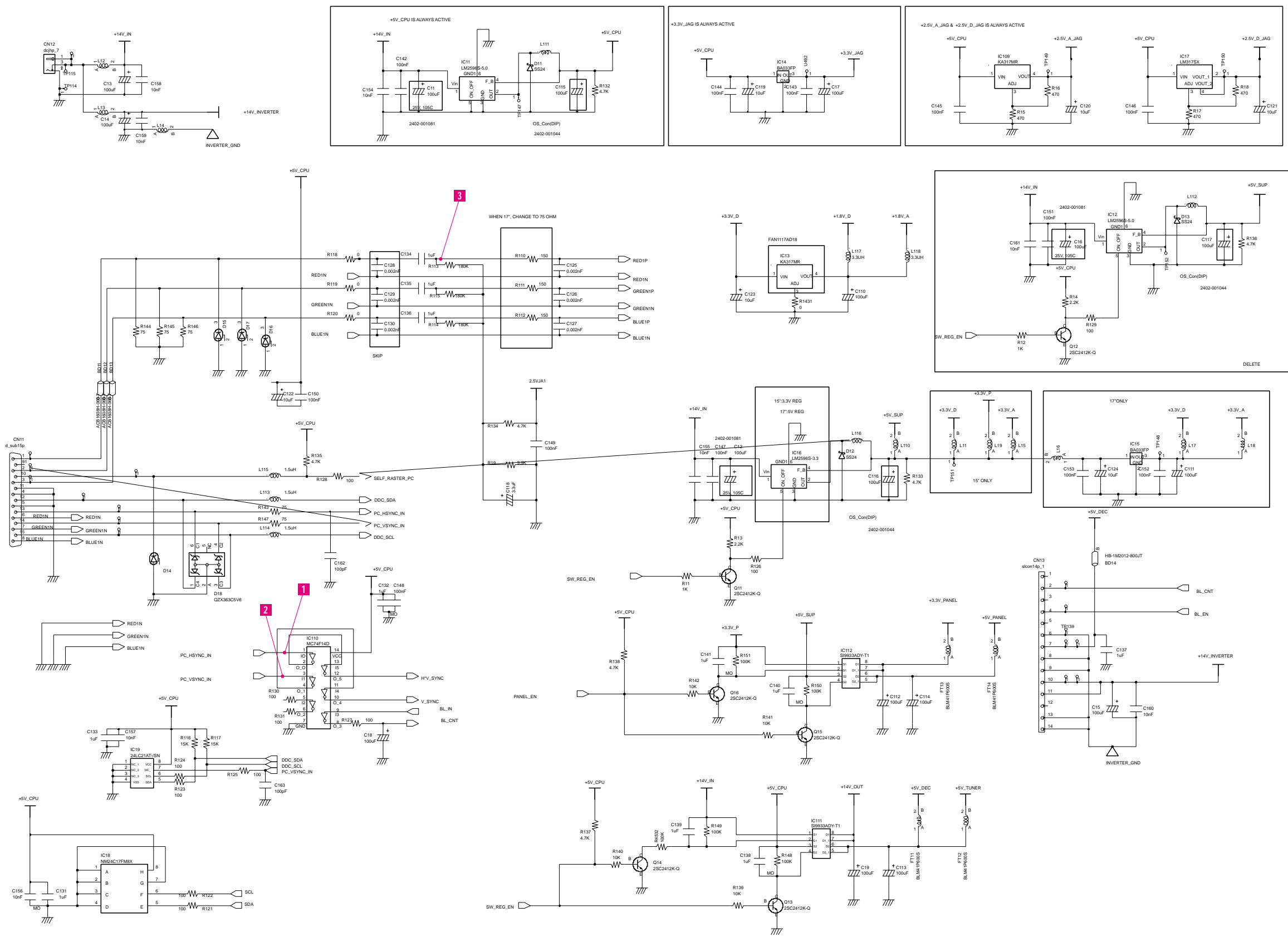
9 Wiring Diagram

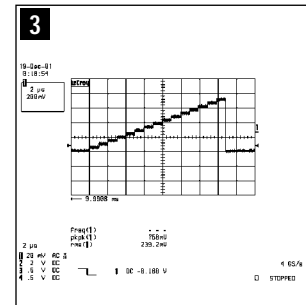
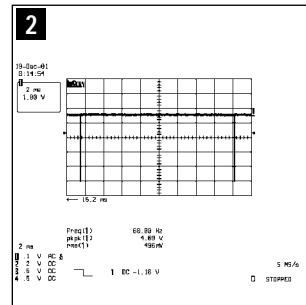
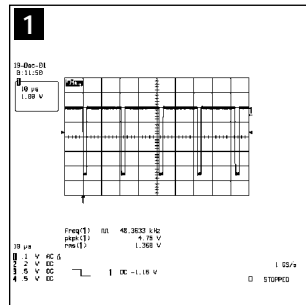


**Memo**

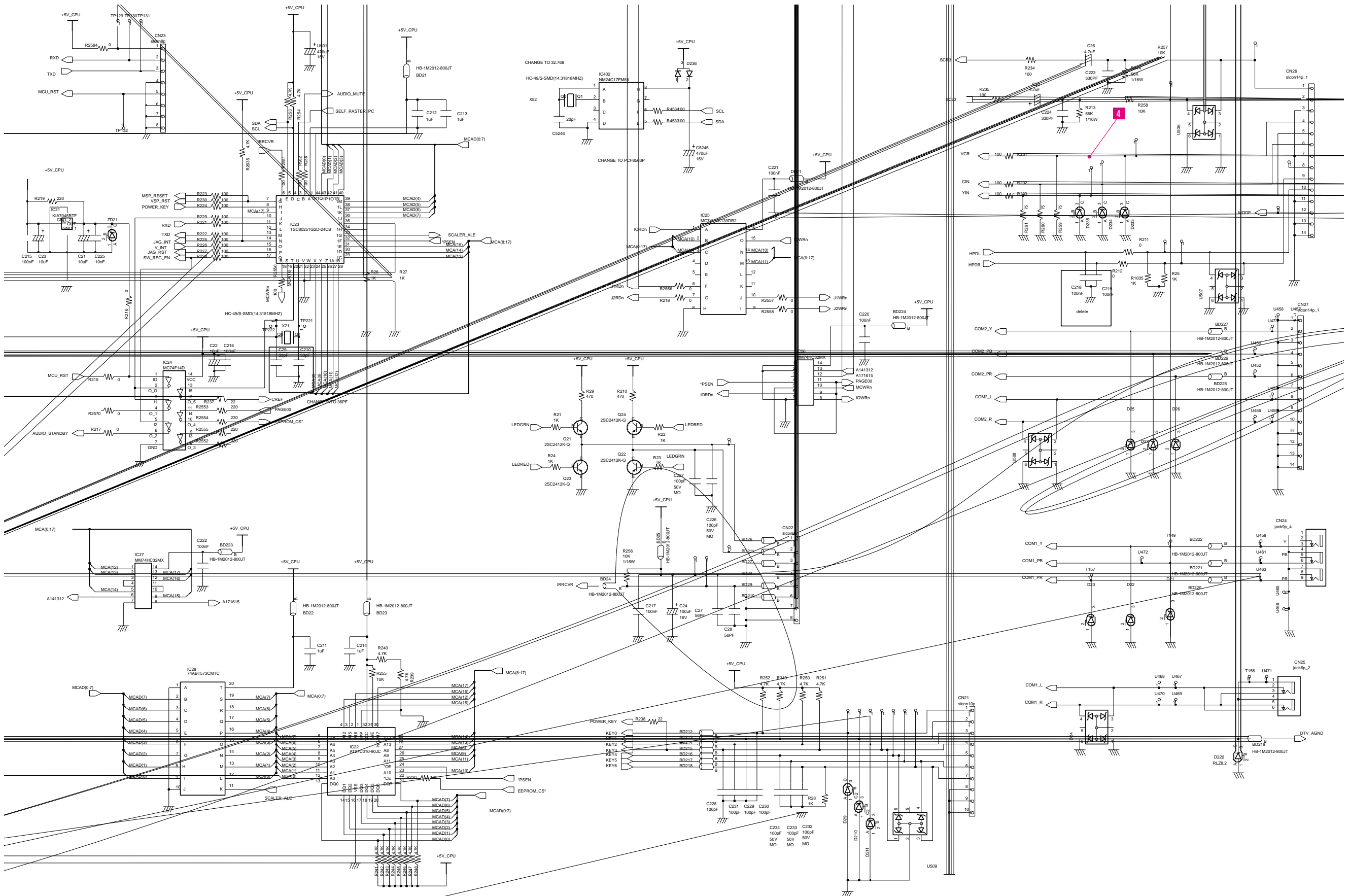
# 10 Schematic Diagrams

## 10-1 Power EOS\_VE\_NTSC Part Schematic Diagram



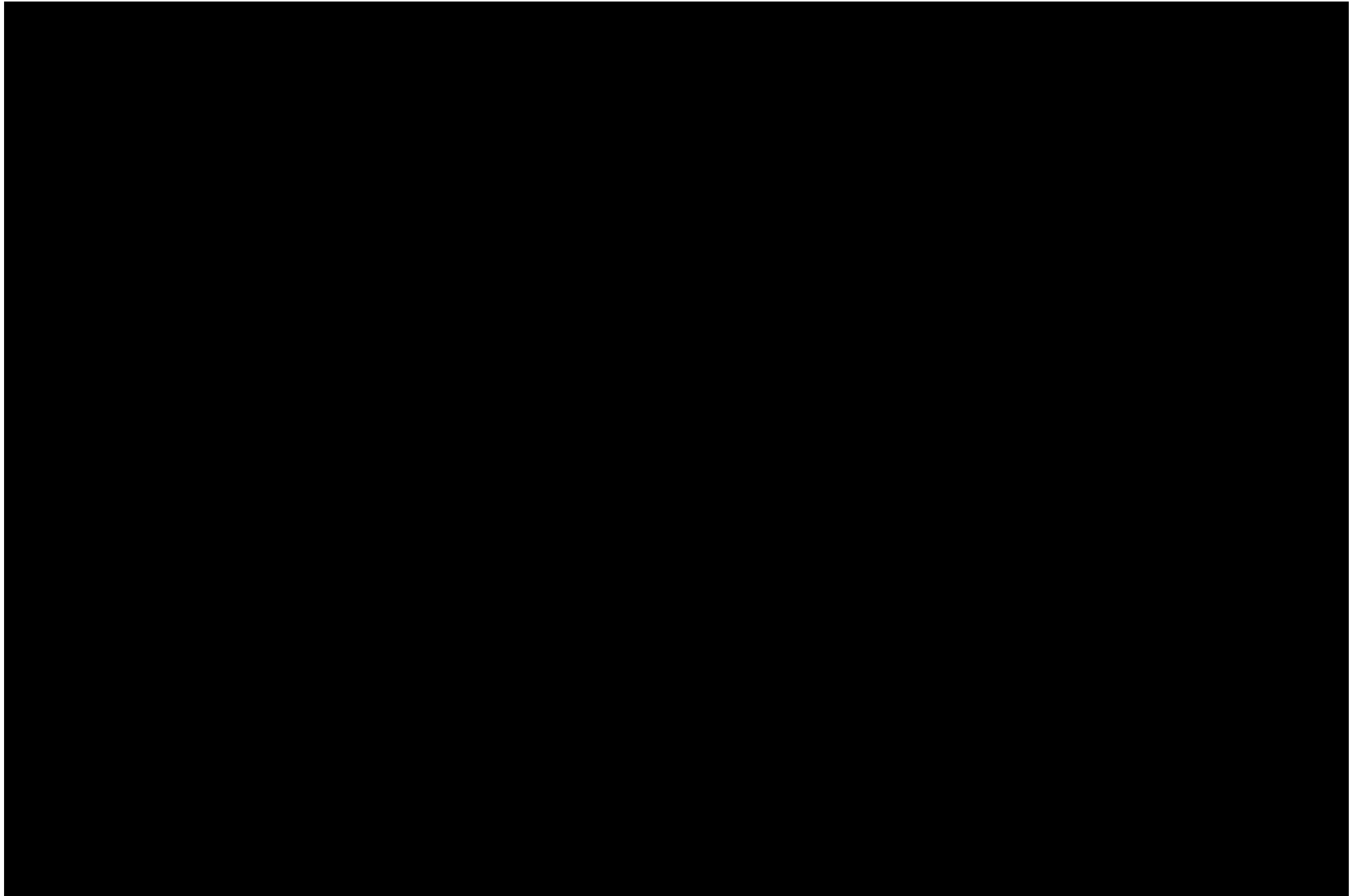


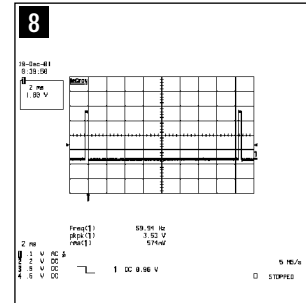
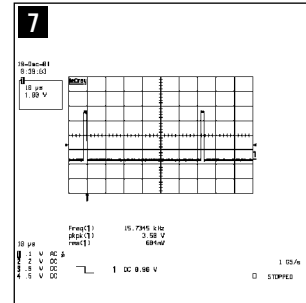
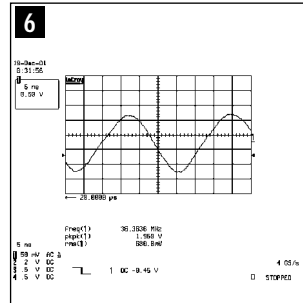
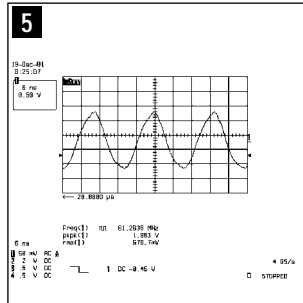
### 10-2 Micom / Jack Part Schematic Diagram





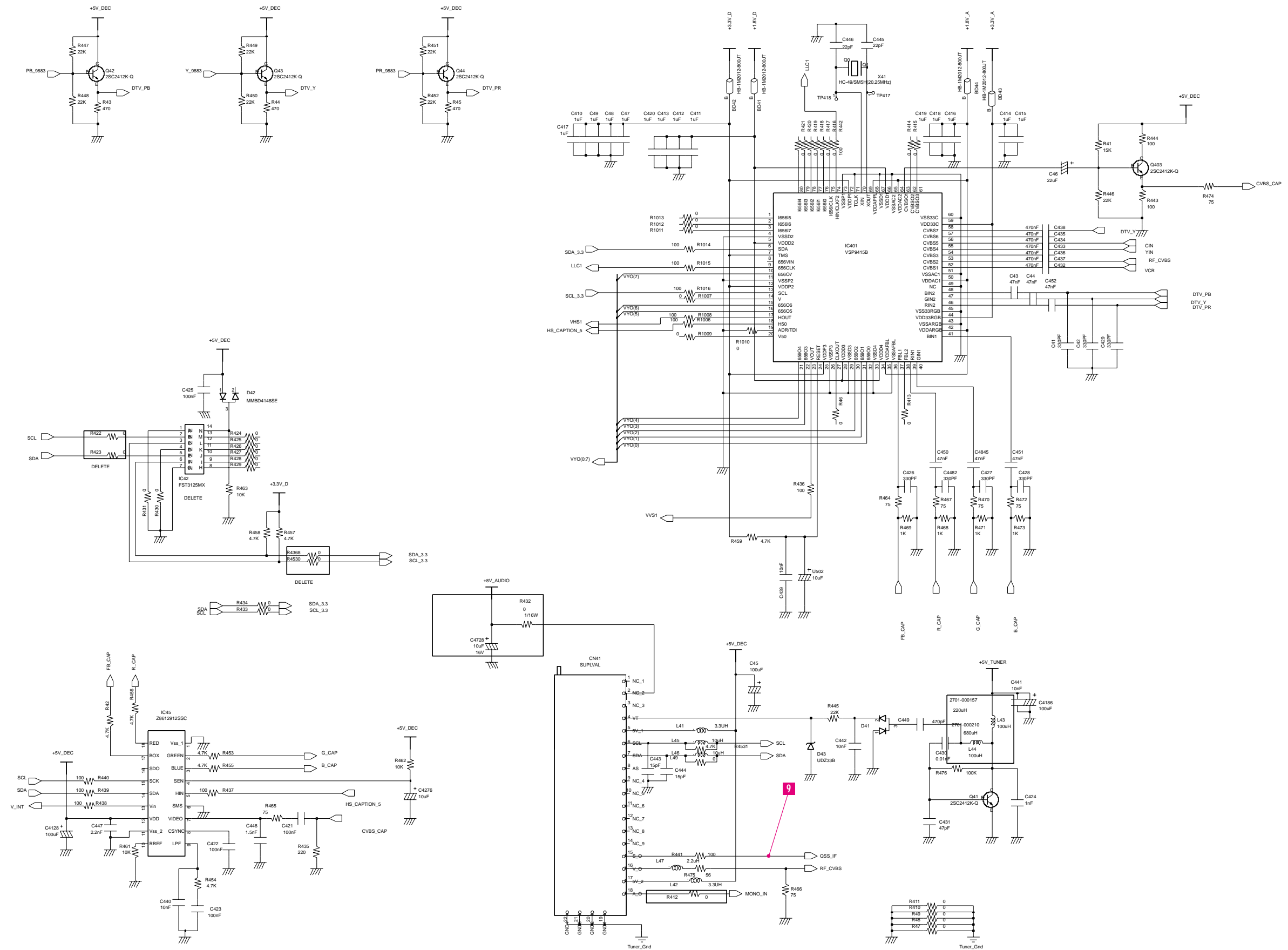
**10-3 Scalar EOS\_VE\_NTSC Part Schematic Diagram**

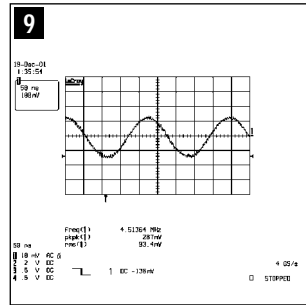




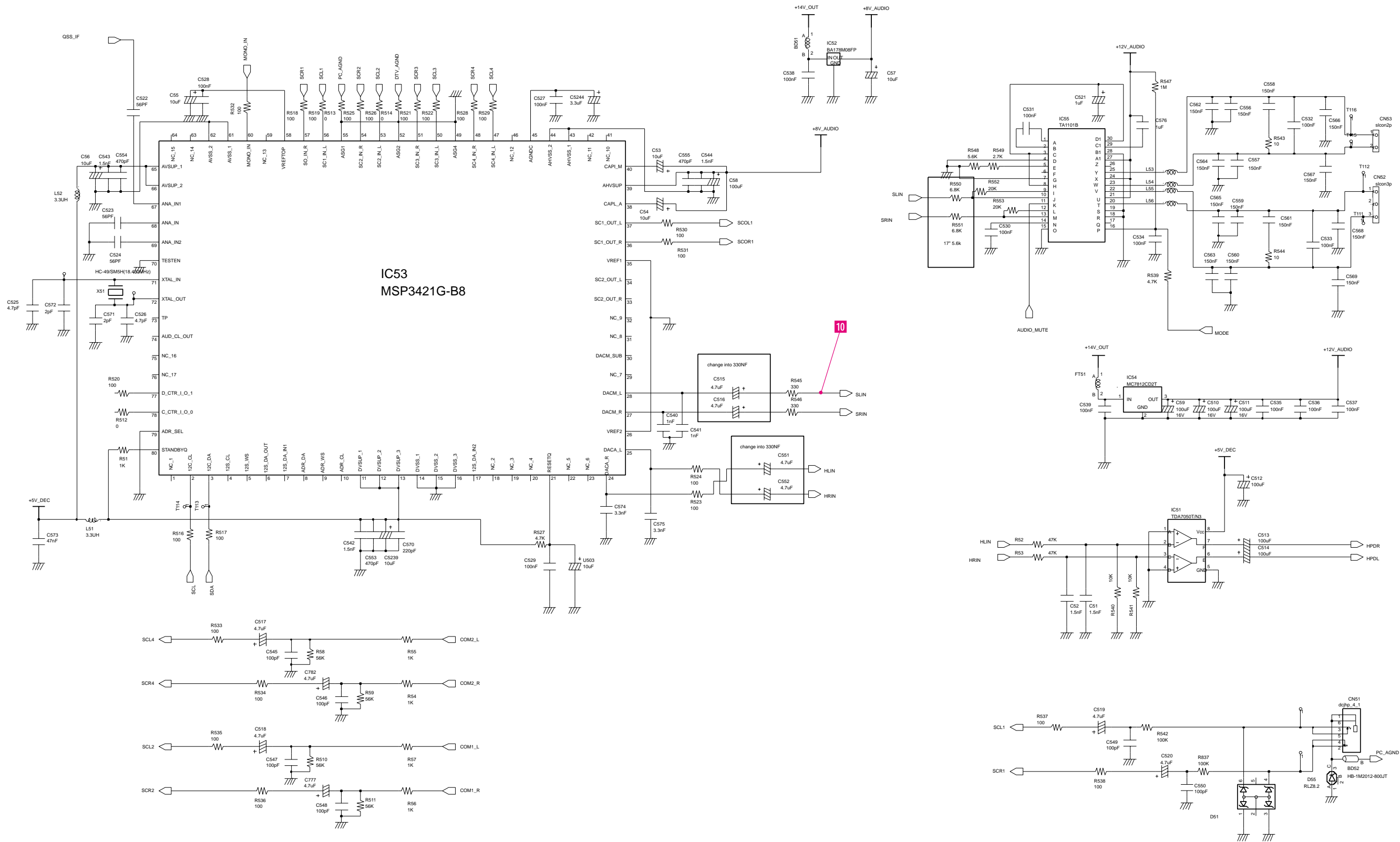


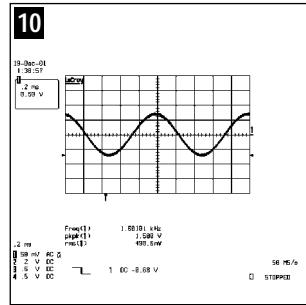
10-4 Video EOS\_VE\_NTSC Part Schematic Diagram



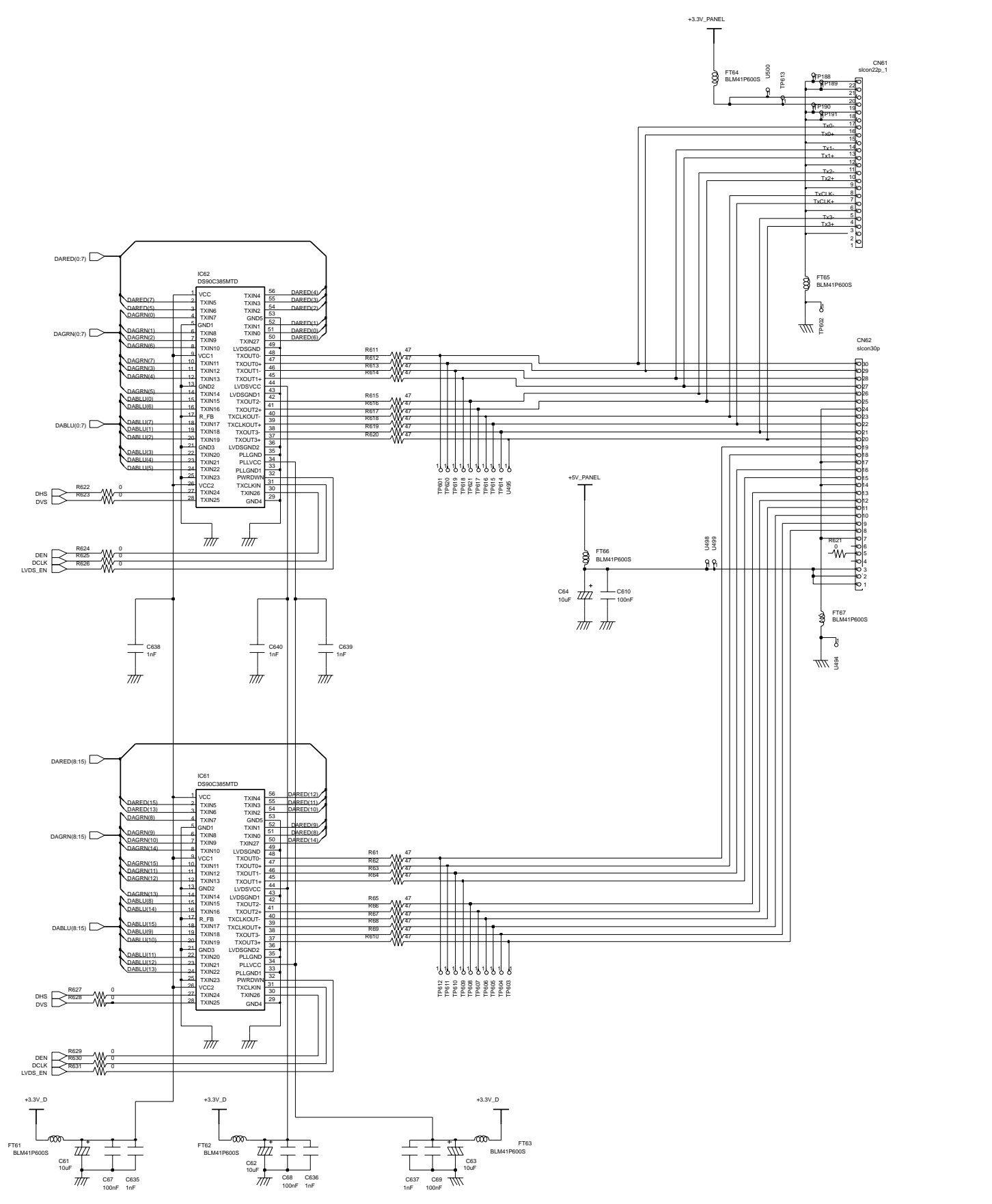
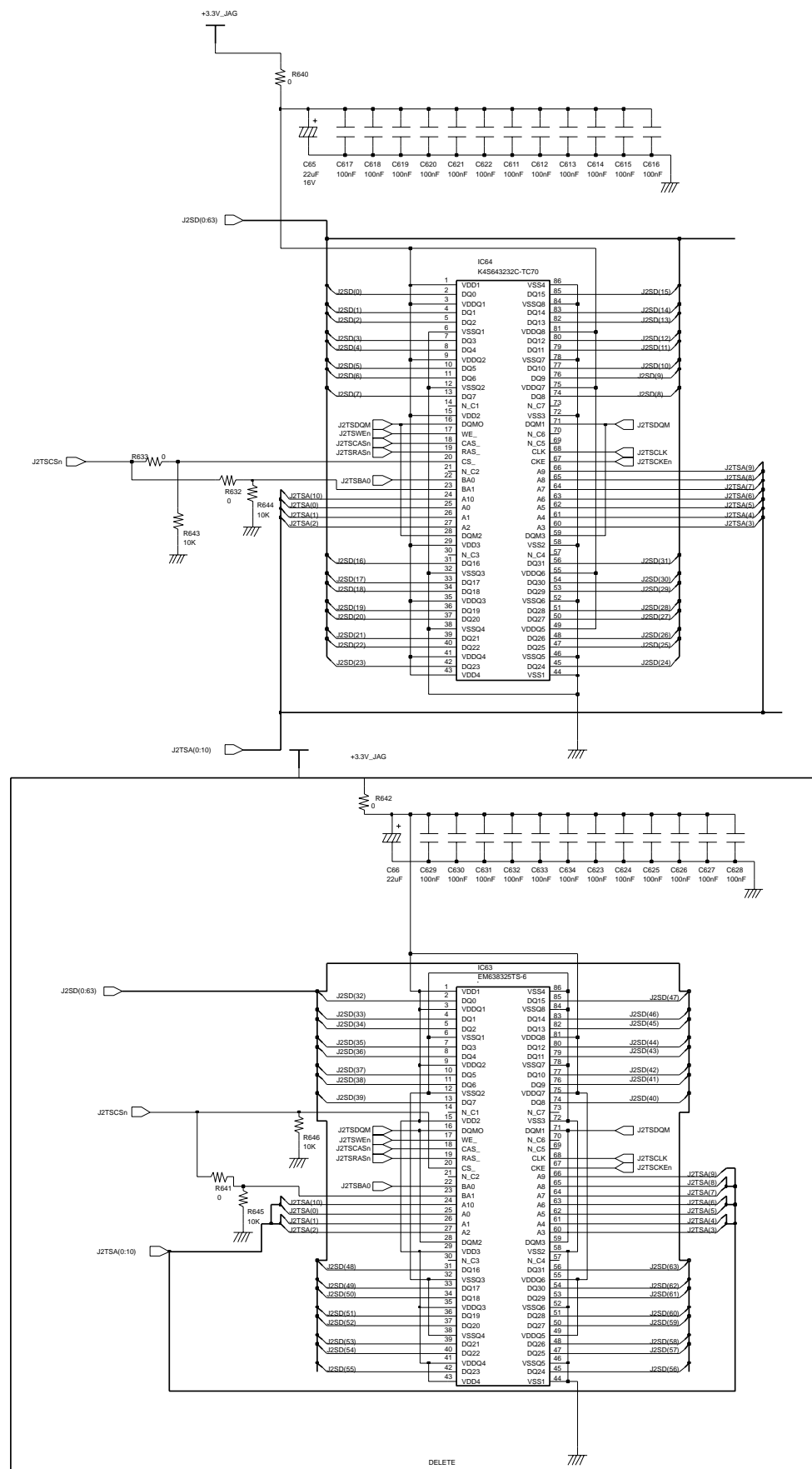


### 10-5 Audio Part Schematic Diagram





10-6 LVDS & RAM EOS\_VE\_NTSC Part Schematic Diagram



**Memo**

## 11 Panel Description

Maker	VENDOR P/N	PANEL_CODE	PANEL_ABB	STICKER_CODE	Remarks
SEC	LT140X1-002	BN07-00004A	SA	BN68-00187A	
SEC	LT150XS-L01	BN07-00009A	SB	BN68-00187B	
SEC	LT150XS-L01-B	BN07-00022A	SC	BN68-00187C	
SEC	LTM150XS-L02	BN07-00005A	SD	BN68-00187D	
SEC	LT181E2-132	BN07-00001A	SE	BN68-00187E	
SEC	LT150XS-T01	BN07-00010A	SF	BN68-00187F	
SEC	LTM181E3-132	BN07-00019A	SG	BN68-00187G	
SEC	LT170E2-131	BN07-10001D	SH	BN68-00187H	
SEC	LT181E2-131	BN07-10001E	SJ	BN68-00187J	
SEC	LTM170E4-L01	BN07-00018A	SK	BN68-00187K	
SEC	LTM240W1-L01	BN07-00015A	SL	BN68-00187L	
SEC	LTM213U3-L01	BN07-00016A	SM	BN68-00187M	
SEC	LTM150XH-L01	BN07-00026A	SN	BN68-00187W	
SEC	LTM150XH-L03	BN07-00027A	SP	BN68-00187X	
SEC	LTM150XS-L01	BN07-00032A	SQ	BN68-00195B	DELL(ZPD)
SEC	LTM181E4-L01	BN07-00034A	SR	BN68-00195C	PVA
SEC	LTM170EH-L01	BN07-00036A	SS	BN68-00195D	TN
SEC	LTM170E5-L01	BN07-00037A	SU	BN68-00195E	PVA
SEC	LTM150XH-L11	BN07-00041A	SV	BN68-00195G	
SEC	LTM213U4-L01	BN07-00039A	SW	BN68-00195L	PVA
SEC	LTM150XH-L01(ZPD)	BN07-00045A	SX	BN68-00195M	ZPD
SEC	LTM150XH-L04	BN07-00046A	SY	BN68-00195N	PANEL
SEC	LTM170W1-L01	BN07-00047A	SZ	BN68-00195P	TV PANEL
SEC	LTM150XH-L06	BN07-00053A	EA	BN68-00195V	TV PANEL/450cd Sony& EOS TV panel
SEC	LTM153W1-L01	BN07-00054A	EB	BN68-00195W	NIKE MODEL
SEC	LTM170EH-L05	BN07-00055A	EC	BN68-00195X	17"EH-L05 panel EOS proj.
SEC	LTM170E5-L03	BN07-00056A	ED	BN68-00195Y	Dell 1702FP pro. E4. EH Compatible
SEC	LTM190E1-L01	BN07-00057A	EE	BN68-00195Z	DELL 1900 FP
SEC	LTM181E5-L01	BN07-00061A	EF	BN68-00239C	18" narrow bezel GH18PS
SEC	LTM150XP-L01	BN07-00065A	EG	BN68-00239F	AMLCD PVA PANEL
SEC	LTM240W1-L02	BN07-00062A	EH	BN68-00239G	15"Wide tv panel
SEC	LTM170EU-L01	BN07-00071A	EJ		Slim design, TN
SEC	LTM170E5-L04	BN07-00072A	EK		E5-L04 6 bits FRC... for IBM
TOSHIBA	LTM15C419(A)	BN07-00002A	TA	BN68-00187N	
TOSHIBA	LTM15C423(B)	BN07-00006A	TB	BN68-00187P	
TOSHIBA	LTM18C161	BN07-00008A	TC	BN68-00187U	
TOSHIBA	LTM15C443	BN07-00031A	TD	BN68-00195A	
TOSHIBA	LTM15C458	BN07-00043A	TE	BN68-00195H	
HANNSTAR	HSD150MX41A(A)	BN07-00020A	NA	BN68-00187Q	TTL
HANNSTAR	HSD150MX12	BN07-00030A	NB	BN68-00187Y	LVDS
TORISAN	TM150XG-22L03(A)	BN07-00021A	RA	BN68-00187R	
TORISAN	TM150XG-26L06	BN07-00042A	RB	BN68-00195J	
TORISAN	TM181SX-76N01	BN07-00048A	RC	BN68-00195Q	
TORISAN	TM150XG-22L06	BN07-00059A	RD	BN68-00239A	15" XGA TN MODE(ZPD)
TORISAN	TM290WX-71N31	BN07-00063A	RE	BN68-00239D	RS24NS (TORISAN 29" PANEL)
TORISAN	TM396WX-71N31	BN07-00064A	RF	BN68-00239E	RS24NS (TORISAN 40" PANEL)
SHARP	LQ181E1DG11(A)	BN07-10001C	PA	BN68-00187S	
SHARP	LQ150X1LW71	BN07-00067A	PB		SHARP 15" PVA PANEL
HITACHI	TX38D12VCOCOA(A)	BN07-00003A	HA	BN68-00187T	
HITACHI	TX43DVCOCAB	BN07-00060A	HB	BN68-00239B	17" SXGA PVA MODE"
IBMITX94S	BN07-00017A		IA	BN68-00187V	
UNIPAC	UM170E0	BN07-00028A	UA	BN68-00187Z	
HYUNDAI	HT15X13	BN07-00035A	DA	BN68-00195F	
HYUNDAI	HT17E11-200	BN07-00049A	DB	BN68-00195R	TN MODE
ACERL170E3	BN07-00044A		AA	BN68-00195K	TN(ADT)
CHIMEI	M170E3-L01	BN07-00050A	CA	BN68-00195S	TN PANEL
CHIMEI	M150X3-L01	BN07-00051A	CB	BN68-00195T	COMPATIBLE
CHIMEI	M170E4-L01	BN07-00052A	CC	BN68-00195U	MVA PANEL
CHIMEI	M150X2-L01	BN07-00066A	CD		CHIME 15" I PVA PANEL

**Memo**



**Copyright**

© 2002 by Samsung Electronics Co., Ltd.

All rights reserved.

This manual may not, in whole or in part, be copied, photocopied, reproduced, translated, or converted to any electronic or machine readable form without prior written permission of Samsung Electronics Co., Ltd.

LTM1555(B)/LTM1755(B) Service Manual

First edition May 2002.

Printed in Korea.

**Trademarks**

Samsung is the registered trademark of Samsung Electronics Co., Ltd.

LTM1555(B)/LTM1755(B) and Macmaster Cable Adapter are trademarks of Samsung Electronics Co., Ltd.

Macintosh, Centris, Quadra, Duo Dock, and Power Macintosh are trademarks of Apple Computer, Inc.

All other trademarks are the property of their respective owners.