

RANGE COMPOSITION

The range consists of a base model LB2 available in 8 versions:

- 402021 - standard model
- 402066 - standard model with drain pump
- 402020 - standard model with water softener
- 402022 - standard model with water softener and drain pump
- 402064 - standard model with water softener, drain pump and detergent dispenser
- 402065 - standard model with water softener, drain pump and rinse pump
- 402062 - insulated model with drain pump and detergent dispenser
- 402063 - insulated model with water softener, drain pump and detergent dispenser



402064

LB-2

GLASSWASHERS ZANUSSI PROFESSIONAL

TECHNICAL DATA								
CHARACTERISTICS	MODELS							
	LB2N 402021	LB2DP3 402066	LB2 402020	LB2WP 402022	LB2WSDD 402064	LB2TOP 402065	LB2DPDI 402062	LB2WSDPI 402063
Water supply								
temperature - °C	10	10	10	10	10	10	10	10
hardness - °f	7-14	7-14	>14	>14	>14	>14	7-14	>14
Cold rinse	●	●	●	●	●	●	●	●
Water softener			●	●	●	●		●
Drain pump		●		●	●	●	●	●
Rinse Booster Pump						●		
Detergent dispenser					●		●	●
N° of cycles	2	2	2	2	2	2	2	2
Duration cycles - sec.	120/300	120/300	120/300	120/300	120/300	120/300	120/300	120/300
Basket capacity/h	30	30	30	30	30	30	30	30
External dimensions - mm								
width	460	460	460	460	460	460	460	460
depth	565	565	565	565	565	565	565	565
height	715	715	715	715	715	715	715	715
Cell dimensions - mm								
width	400	400	400	400	400	400	400	400
depth	400	400	400	400	400	400	400	400
height	290	290	290	290	290	290	290	290
Washing cycle								
temperature - °C	55-65	55-65	55-65	55-65	55-65	55-65	55-65	55-65
tank capacity - lt.	6	6	6	6	6	6	6	6
power pump - kW	0.3	0.3	0.3	0.3	0.3	0.3	0.3	0.3
electrical elements - kW	0.8	0.8	0.8	0.8	0.8	0.8	0.8	0.8
Cold rinse cycle								
duration - sec.	10	10	10	10	10	10	10	10
temperature - °C	10	10	10	10	10	10	10	10
water consumption - lt./cycle	2	2	2	2	2	2	2	2
Hot rinse cycle								
duration - sec.	16	16	16	16	16	16	16	16
temperature during rinse - °C	80-90	80-90	80-90	80-90	80-90	80-90	80-90	80-90
water consumption - lt./cycle	2.3	2.3	2.3	2.3	2.3	2.3	2.3	2.3
Boiler capacity - lt.	5	5	5	5	5	5	5	5
Boiler elements - kW	3	4.5	3	3	3	3	3	3
Power - kW								
drain pump		0.034		0.034	0.034	0.034	0.034	0.034
total power	3.3	4.8	3.3	3.3	3.3	3.3	3.3	3.3
Noise level - dBA	<61	<61	<61	<61	<61	<61	<61	<61
Net weight - kg.	37	37	37	37	37	37	37	37
Supply voltage	230 V, 1N, 50	400 V, 3N, 50	230 V, 1N, 50	230 V, 1N, 50	230 V, 1N, 50	230 V, 1N, 50	230 V, 1N, 50	230 V, 1N, 50
INCLUDED ACCESSORIES								
BASKET F. GLASSES-ANGLED BASE-395X395X200							1	1
BASKET FOR GLASSES-395X395X200 MM	1	1	1	1	1	1		

FUNCTIONAL AND CONSTRUCTION FEATURES

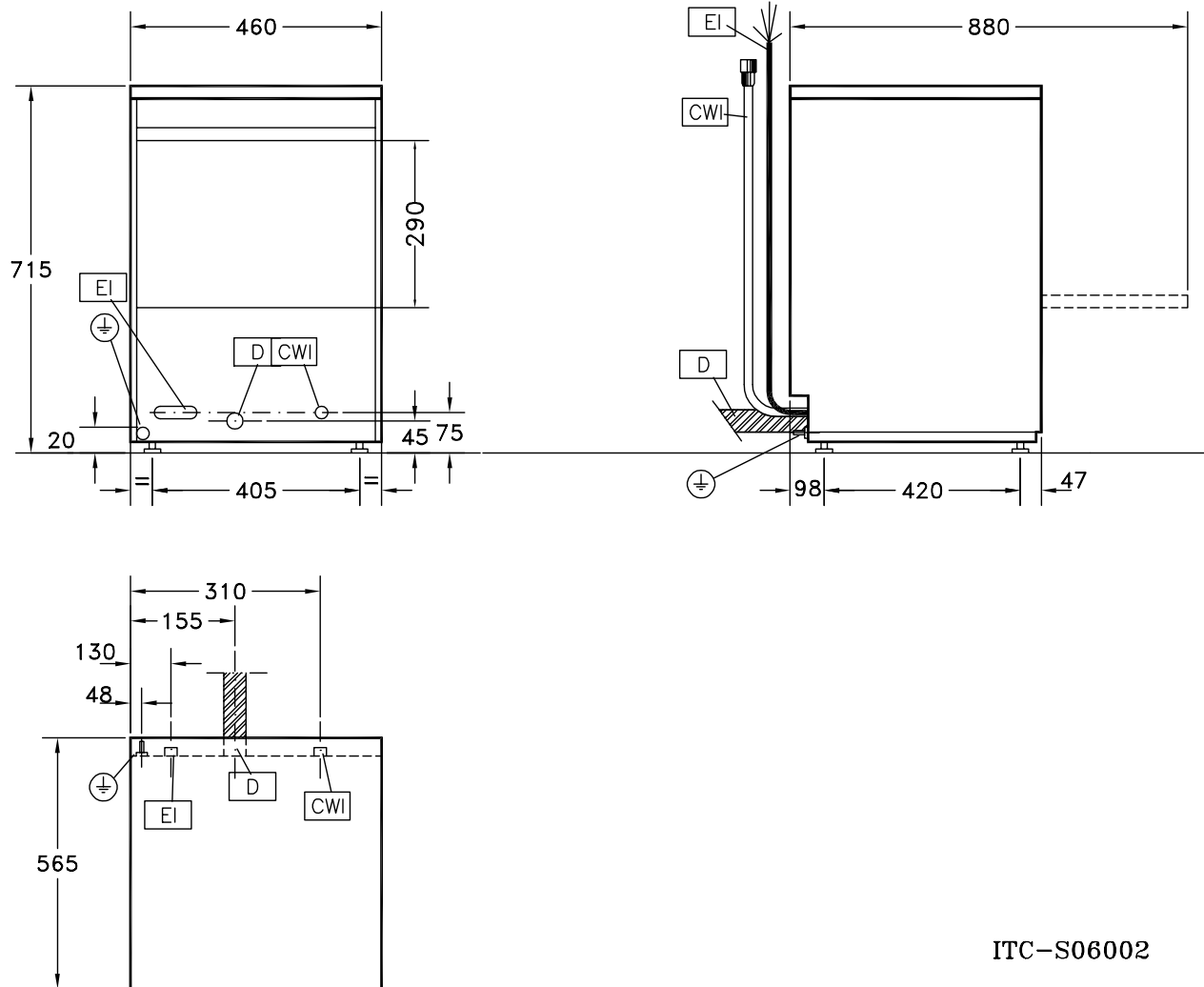
- ◆ A high standard of washing, rinsing and hygiene is achieved.
- ◆ All versions can be made to carry out a cold rinse after the hot rinse to ensure that glasses are ready for use as they do not leave the appliance hot.
- ◆ Two cycles (120 and 300 seconds); the longer cycle allows the washing of crockery with a higher degree of soil.
- ◆ Glasses, cups and crockery up to a height of 290 mm can be washed due to the ample loading height.
- ◆ 5 litre capacity boiler, washing temperature 55° to 65°C and rinse temperature 80° to 90°.
- ◆ Double-walled washing chamber and tank. Separate washing and rinsing circuits. Upper and lower rotary washing arms and rinsing arms.

- ◆ Load bearing frame, side and front panels, tank and filter, washing and rinsing arms and jets in 304 AISI stainless steel.
- ◆ Frontal access to the main components: boiler elements, thermostats, timer, rinse aid dispenser and electrical components.
- ◆ One basket, 200 mm in height, for tall glasses; electric cable and hose for water connection supplied as standard.
- ◆ All models comply with the standards of the main international approval bodies and are **CE** marked.

OPTIONAL ACCESSORIES								
ACCESSORIES	MODELS							
	LB2N 402021	LB2DP3 402066	LB2 402020	LB2WP 402022	LB2WSDD 402064	LB2TOP 402065	LB2DPDI 402062	LB2WSDPDI 402063
BASKET F. GLASSES-ANGLED BASE-395X395X200	867056	867056	867056	867056	867056	867056	867056	867056
BASKET FOR 16/8 PLATES DIAM.190/240 MM	867052	867052	867052	867052	867052	867052	867052	867052
BASKET FOR GLASSES+SAUCERS/CUTLERY INS.	867055	867055	867055	867055	867055	867055	867055	867055
BASKET FOR GLASSES-395X395X100 MM	867053		867053	867053		867053	867053	867053
BASKET FOR GLASSES-395X395X200 MM	867054	867054	867054	867054	867054	867054	867054	867054
COVER GRID FOR SMALL/LIGHT ITEMS IN RACK	867016	867016	867016	867016	867016	867016	867016	867016
FILTER FOR PARTIAL DEMINERALIZATION	864017	864017				864017	864017	
FILTER FOR TOTAL DEMINERALIZATION	864015	864015				864015	864015	
INCLINED INSERT FOR CUPS	867061	867061	867061	867061	867061	867061	867061	867061
INSERT FOR 14 SAUCERS	867060	867060	867060	867060	867060	867060	867060	867060
INSERT FOR 7 PLATES DIAM. 240 MM	867062	867062	867062	867062	867062	867062	867062	867062
INSERT FOR"FLUTE"GLASSES	867058	867058	867058	867058	867058	867058	867058	867058
KIT 4 PLASTIC BOXES FOR CUTLERY-YELLOW	865574	865574	865574	865574	865574	865574	865574	865574
KIT TO MEASURE TOTAL/PART.WATER HARDNESS	864050	864050	864050	864050	864050	864050	864050	864050
RINSE BOOSTER PUMP KIT	867063	867063	867063	867063	867063		867063	867063
ROUND BASKET KIT WITH SQUARE FRAME	867057	867057	867057	867057	867057	867057	867057	867057
YELLOW CUTLERY CONTAINER	864242	864242	864242	864242	864242	864242	864242	864242



www.zanussiprofessional.com



ITC-S06002

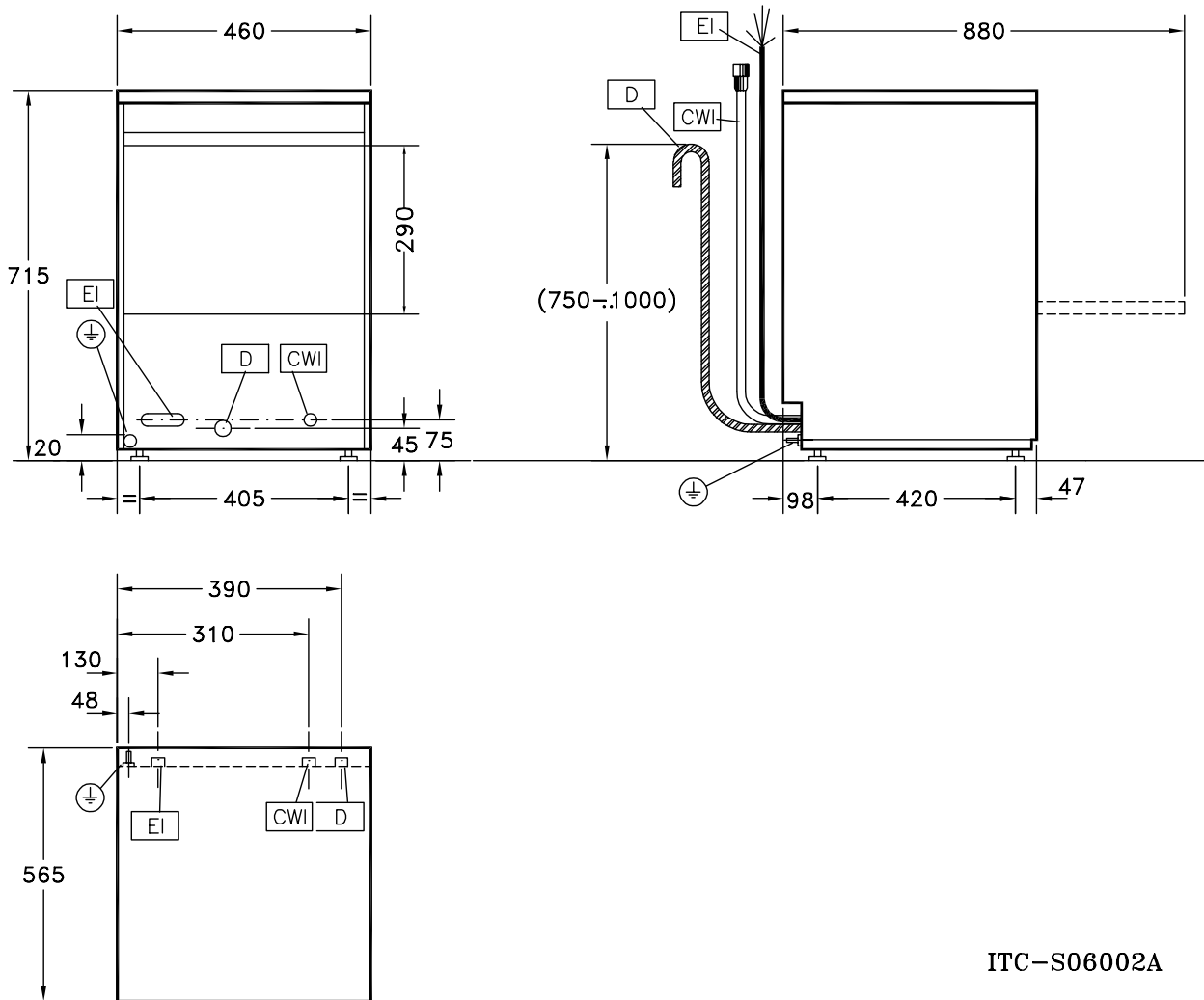
LEGEND

	LB2N 402021	LB2 402020
CWI - Cold water inlet	G 3/4"	G 3/4"
D - Water drain	22mm	22mm
EI - Electrical connection	230 V, 1N, 50	230 V, 1N, 50



www.zanussiprofessional.com

402066, 402063, 402062, 402065, 402064



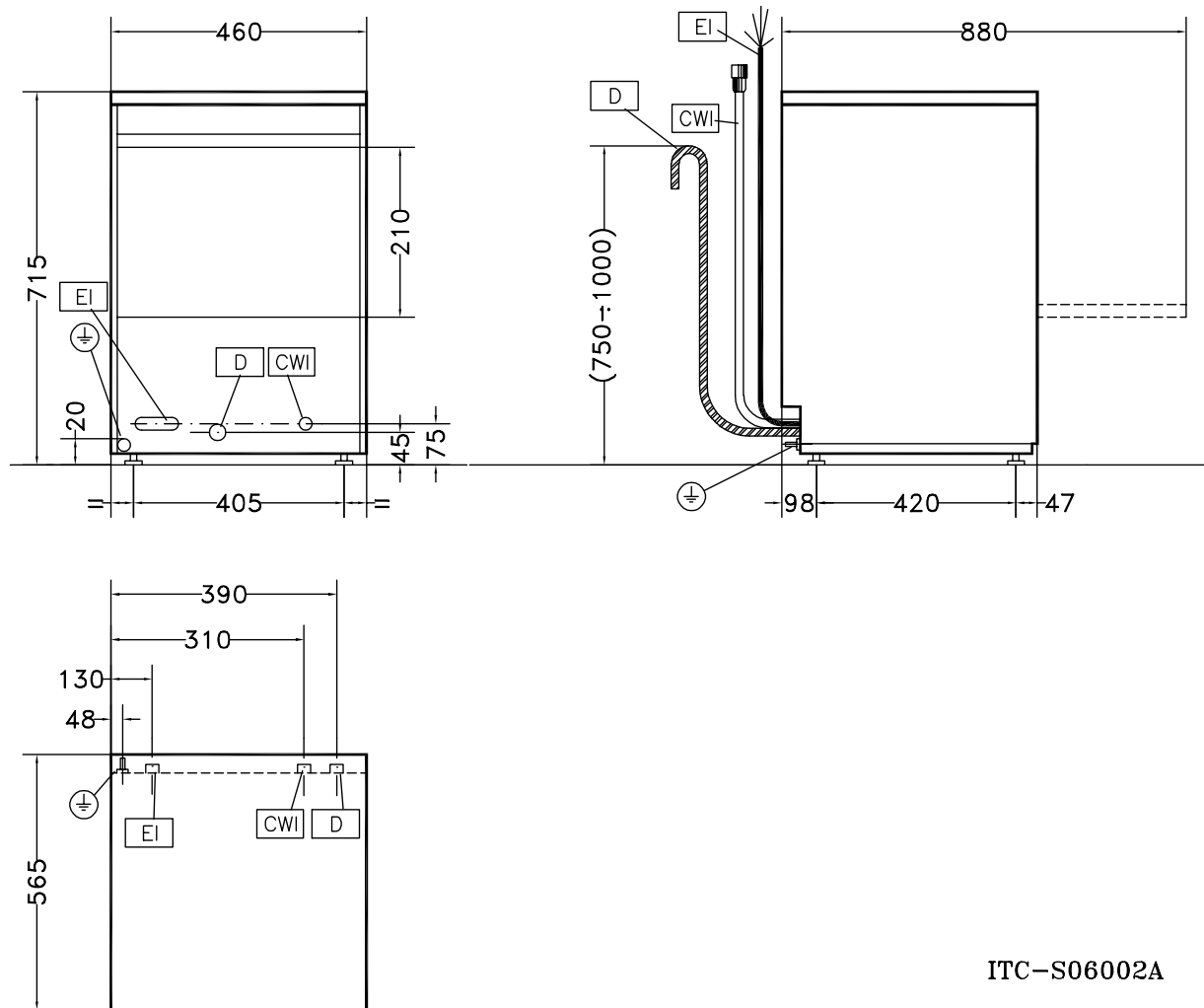
ITC-S06002A

LEGEND

	LB2DP3 402066	LB2WSDD 402064	LB2TOP 402065	LB2DPDI 402062	LB2WSDPDI 402063
CWI - Cold water inlet	G 3/4"	G 3/4"	G 3/4"	G 3/4"	G 3/4"
D - Water drain	27mm	27mm	27mm	22mm	27mm
EI - Electrical connection	400 V, 3N, 50	230 V, 1N, 50	230 V, 1N, 50	230 V, 1N, 50	230 V, 1N, 50



www.zanussiprofessional.com



ITC-S06002A

LEGEND

	LB2WP 402022
CWI - Cold water inlet	G 3/4"
D - Water drain	27mm
EI - Electrical connection	230 V, 1N, 50



www.zanussiprofessional.com