



BREW TIME COFFEE BREWERS OPERATION MANUAL

CONTENTS

- SPECIFICATIONS
- INSTALLATION INSTRUCTIONS
- BREWING INSTRUCTIONS
- CLEANING INSTRUCTIONS
- ADJUSTMENT INSTRUCTIONS
- TROUBLE SHOOTING GUIDE
- REPAIR PARTS LIST
- WIRING DIAGRAM



BT 3

WARRANTY

Every Cecilware product has been carefully inspected before shipment. The finest of materials and the highest standards of workmanship have been built in to the equipment.

Within 1 year of purchase, should any Cecilware product show defect in factory workmanship or material, we agree to repair, at our option or replace without cost to user such parts which prove upon factory inspection to have been so defective. All equipment must be shipped transportation charges prepaid for acceptance. This warranty covers replacement parts only, labor charges are covered for 90 days after installation.

This warranty does not apply under the following conditions:

- neglect or abuse of equipment
- excessive lime condition
- improper installation
- any outside modification to equipment

Every Cecilware urn body is covered for three years. This warranty covers the stainless steel body and stainless steel liners only.

Portable equipment such as Electric Fryers, Food Warmers, Electric Stoves, Dispensers, Plug-In Urns, Coffee Brewers and Warmers must be returned to the factory or brought to an authorized service station for repair.

MODEL #	GENERAL SPECIFICATIONS				ELECTRICAL DATA		
	Width	Depth	Height	Ship wt. (lbs.)	Watts	Volts	Amps
BT2 - 2 Station Pourover	17½"	9½"	20¼"	26	1600 2200	120 220	13.3 10.0
BT2A - 2 Station Automatic	17½"	9½"	20¼"	26	1600 2200	120 220	13.3 10.0
BT3 - 3 Station Pourover	17½"	9½"	20¾"	27	1700 2300	120 220	14.2 10.5
BT3A - 3 Station Automatic	17½"	9½"	20¾"	27	1700 2300	120 220	14.2 10.5

WARNING: MACHINE WARRANTY IS VOID IF MACHINE IS CONNECTED TO ANY VOLTAGE OTHER THAN 120 VOLTS. (EXPORT UNITS SHOULD BE CONNECTED TO 220 VAC VOLTS.)

INSTALLATION INSTRUCTIONS

NOTE: A SEPARATE CIRCUIT SHOULD BE SUPPLIED FOR EACH OF THESE BREWERS WITH A 15 AMP. CIRCUIT BREAKER OR FUSE. CHECK LOCAL CODES FOR COMPLIANCE IN INSTALLATION.

CAUTION: DO NOT CONNECT BREWER TO POWER SOURCE UNTIL AFTER PRIMING. (INSTRUCTION BELOW.)



CECILWARE CORPORATION 43-05 20th Avenue, Long Island City, NY 11105
2551 Fernwood Avenue, Lynwood, CA 90262

WARNING: MACHINE WARRANTY IS VOID IF MACHINE IS CONNECTED TO ANY VOLTAGE OTHER THAN 120 VOLTS. (EXPORT UNITS SHOULD BE CONNECTED TO 220 VAC VOLTS).

****INSTALLATION INSTRUCTIONS****

NOTE: A SEPARATE CIRCUIT SHOULD BE SUPPLIED FOR EACH OF THESE BREWERS WITH A 15 AMP. CIRCUIT BREAKER OR FUSE. CHECK LOCAL CODES FOR COMPLIANCE IN INSTALLATION.

CAUTION: DO NOT CONNECT TO POWER SOURCE UNTIL AFTER PRIMING (INSTRUCTION BELOW).

WATER HOOK-UP (FOR AUTOMATIC BREWERS ONLY - BT2A, BT3A)

Automatic Brewers should be hooked up by a plumber in compliance with local plumbing codes. The National Sanitation Foundation (NSF) requires the following for NSF approved hook-up:

1. A quick disconnect water connection or enough extra coiled tubing, (at least two times of the depth of brewer) so that brewer can be moved to clean underneath.
2. An approved flowback prevention device such as a double check valve to be installed between brewer and water supply.

You automatic coffee brewer was shipped with a water hook-up kit consisting of a strainer, length of ¼" (outside diameter) copper tubing and water valve fitting which connects to valve in rear of brewer. This fitting needs to be finger tightened only. Connect the open end of the strainer to ¼" O.D. tubing and a shut-off (supplied by others) leading to cold water supply. 20-120 PSI water pressure, required for proper operation.

CAUTION: These brewers are equipped with a rear Toggle Switch which controls the power supply to the Brewer. Toggle Switch *must be in the down or "OFF" position* until step (3) is completed.

TO PRIME THESE INSTRUCTIONS ARE FOR INITIAL PRIMING ONLY AND DO NOT HAVE TO BE REPEATED FOR NORMAL OPERATION.

1. Remove sample filter pack from funnel and insert funnel back into machine.
2. Place an empty decanter on warmer plate directly under funnel.
3. Lift cover (69 Fig. 3) and pour 3 decanters of cold water through the top opening at 3 minute intervals. After the third decanter is poured, water will flow through spray head and funnel and fill decanter beneath.
4. Plug line cord into receptacle and turn on power switch. The power light will light, indicating power is applied to the tank heater. Wait approximately 15 minutes for the water to reach brewing temperature, at which point the green light will light. You are now ready to brew coffee.

****BREWING INSTRUCTIONS****

AUTOMATIC MODELS BT2A, BT3A

1. Make sure power switch and green ready light are on. (Wait for green ready light to come on if necessary).
2. Place paper filter in brew funnel. Open pack of fine grind coffee (as recommended by your coffee supplier) and spread evenly on filter paper.
3. Insert Brew funnel back into machine and place empty decanter under funnel.
4. Turn on warmer switch and press brew switch. Coffee will be ready in 3½ minutes.
5. Adjust timer (if necessary to fill decanter to just below band on handle)-(refer to instructions for timer adjustment).
6. Remove grounds and filter as soon as coffee has dripped through. Never pour coffee back through spent grounds.

POUR-OVER MODELS (BT2, BT3)

1. Follow steps 1, 2 and 3 above.
2. Fill decanter with cold water to just below band on handle, lift cover (69, Fig.3), and pour water through top of screened opening. Place empty decanter under funnel.
3. Turn on left warmer switch above decanter. Coffee will be ready in 3½ minutes.
4. Remove grounds and filter as soon as coffee has dripped through. Never pour coffee back through spent grounds.

BACK-UP SYSTEM (FOR AUTOMATIC BREWERS)

In case of solenoid or timer malfunction or water supply problems (clogged strainer), automatic models may be used as pourover units simply by lifting cover and pouring decanter through screened top opening.

****CLEANING INSTRUCTIONS****

1. Wash brew funnel and decanter by hand as needed. Do not use dishwasher, which may cause decanter breakage.
2. For cleaning all metal surfaces, use any reputable stainless steel cleaning compound.
Sprayhead should be checked and cleaned regularly. (At least once a week.) Sprayhead holes must be kept open.
To prevent "LIMING" problems in the water tube and air tube, remove sprayhead and insert spring probe all the way into the tank through both tubes. When inserted into tank properly, no more than two inches of the spring should be visible. Push back and forth five or six times. This will keep tubes open and clear of lime. In hard water areas, this should be done every day; this takes less than a minute.

FOR AUTHORIZED SERVICE PERSONNEL ONLY

****SERVICE INSTRUCTIONS** and **TROUBLE SHOOTING GUIDE****

CAUTION: DISCONNECT POWER BEFORE ATTEMPTING ANY ELECTRICAL REPAIRS

THERMOSTAT ADJUSTMENTS:

NOTE: The thermostat adjustment knob (Item 15) is located in back of top box. If water temperature is less than 197°F (92°C) slowly turn thermostat knob clockwise until ready light goes out. When temperature of water approaches 197° to 203°F (92° to 95°C) slowly turn thermostat knob counter-clockwise until the green ready light comes on. If water temperature cannot be increased when thermostat knob is turned fully clockwise, then proceed as follows:

Remove Bracket and pull off knob. Place a small screwdriver into the center of thermostat shaft. While observing green ready light and temperature on thermometer, hold shaft and turn small adjustment screw in center counter-clockwise until green ready light goes out. When temperature of water approaches 197°-203°F (92°-95°C), slowly turn screw clockwise until ready light comes on. Turning screw clockwise lowers temperature; counter-clockwise raises it. After adjusting center screw, place nail polish or glyptol on screw to set in position.

NOTE: As a final check, measure water temperature at Spray Head (25, Fig 3). Temperature should be 197° to 203°F (92° to 95°C).

TIMER ADJUSTMENTS (Automatic Models BT2A, BT3A)

NOTE: Timer adjustment knob is located in back of top box. To increase volume of water, turn knob of timer clockwise. To decrease, turn knob counter-clockwise. Turn knob by small increments.

NOTE: Timer must go through a complete cycle before another adjustment can be made. Timer cannot be adjusted once it has been initiated.

PROBLEMS WITH WARMER ELEMENTS & SWITCHES:

If warmer plate fails to heat, first check power source and then check if light on warmer switch (21 Fig 3) is lit when in the "1" position. If warmer switch is lit, replace warmer plate by unplugging brewer, removing the two hold down screws on plate and withdrawing warmer plate from brewer. Replace the new warmer plate. If warmer switch does not light, replace it. To remove switch press each tab behind front plate of brewer down with screwdriver in turn. As each tab is pressed, pop that corner of warmer switch out of the front of brewer. New switch snaps in from the front.

IF WATER FAILS TO HEAT:

1. If Red power light (20 Fig 3) and warmer switches do not come on, check power source. Replace fuse or reset circuit breaker if necessary. If power is good, check rear power switch for continuity and replace if switch stays open.
2. If water still fails to heat, disconnect line cord and check out tank heater (31 Fig 3), thermostat (14 Fig 3) and high temperature safety shutoff (54 Fig 3). Replace needed parts.

MAINTENANCE ON AUTOMATIC MODELS BT2A, BT3A

IF NO WATER COMES FROM SPRAY HEAD AND POWER TO BREWER IS PRESENT CHECK:

- | | |
|----------------------|--------------------|
| 1. Water Supply Line | 2. Strainer/Filter |
| 3. Solenoid | 4. Timer |

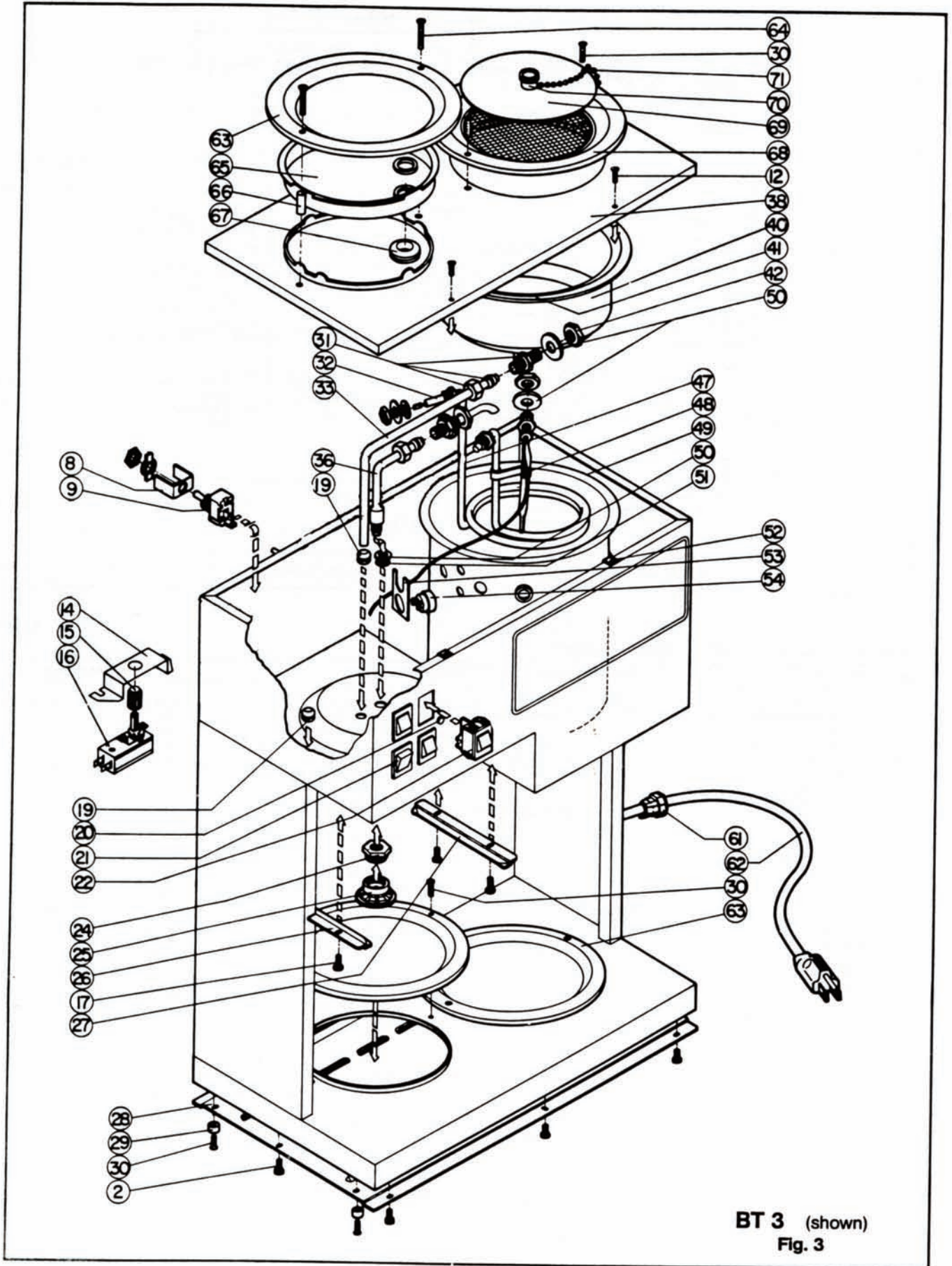
TESTING SOLENOID AND TIMER

Make sure brewer is properly primed. Turn on power switch and then warmer switch above funnel. Press brew switch and hold for one minute. If solenoid buzzes and water flows through spray head when brew switch is pressed and held, but stops when switch is released, timer is defective. Replace it. If no water flows from spray head, and solenoid is inactive, first check brew switch and wiring to solenoid and replace as necessary. If brew switch and wiring are okay, solenoid is at fault.

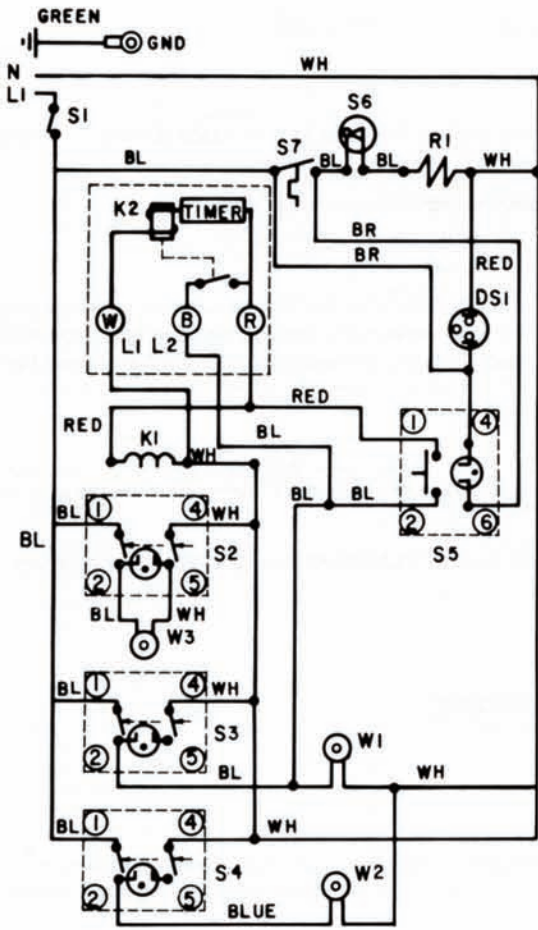
REPLACING SOLENOID, TIMER, HI-LIMIT, THERMOSTAT AND TANK HEATER (See Ill. 3)

Unplug power cord, shut off water supply (for automatic brewers) and remove top cover.

- | | |
|-----------------------------------|---|
| Solenoid (Item 1)- | Remove electrical connections, (2) screws, water inlet fitting and silicone tubing. Replace with new solenoid. |
| Timer (Item 13) - | Loosen and remove (2) screws in back of top box. Lift out timer and disconnect the color coded wires one by one and connect same to replacement timer. Place pointer of knob to center and dial range. |
| Hi-Limit Switch (Item 54)- | Disconnect the (2) push-on leads, loosen large nut on heating element terminal and pull out hi-limit bracket (Item 53). Replace switch (Item 54). |
| Thermostat (Item 16)- | Remove water tank insert (Item 40), thermostat bulb clip (Item 48), hex nut (Item 42) from capillary tank fitting, thermostat knob guard (Item 14), and (2) screws securing thermostat to housing. Disconnect the push-on leads and remove thermostat. Replace with new one in reverse order. When installing new control, do not overtighten small packing nut on compression fitting. |
| Tank Heater (Item 32)- | Remove tank insert (Item 40), bulb clip (Item 48), (2) hex nuts and washers. Disconnect push-on leads. Replace in reverse order. |



BT 3 (shown)
Fig. 3



ELECTRICAL SCHEMATIC FOR BT BREWERS

(J114) ELECTRICAL SCHEMATIC FOR BT BREWERS

SYM.	Part Description	P/N
DS1	Power Light	C260A
K1	Solenoid	L298A
K2	Timer Relay	L265A
R1	Tank Heater	G231A
W1	Left Warmer	G097A
W2	Right Warmer	G097A
W3	Top Warmer BT3, BT3A	G097A
S1	Main Power Switch	L069A
S3	Brew Cycle Control & Left Warmer Switch	L155A
S4	Right Warmer Switch	L155A
S5	Brew Switch BT2A, BT3A	L291A
S6	Hi-Limit Switch	L267A
S7	Thermostat 100-203 Degree F	L266A
BL	Black Wire	
WH	White Wire	
BR	Brown Wire	
Red	Red Wire	
Blue	Blue Wire	

Omit the following parts on BT2 and BT3 Units:
K1, K2, S5 (Pins #1 and #2)

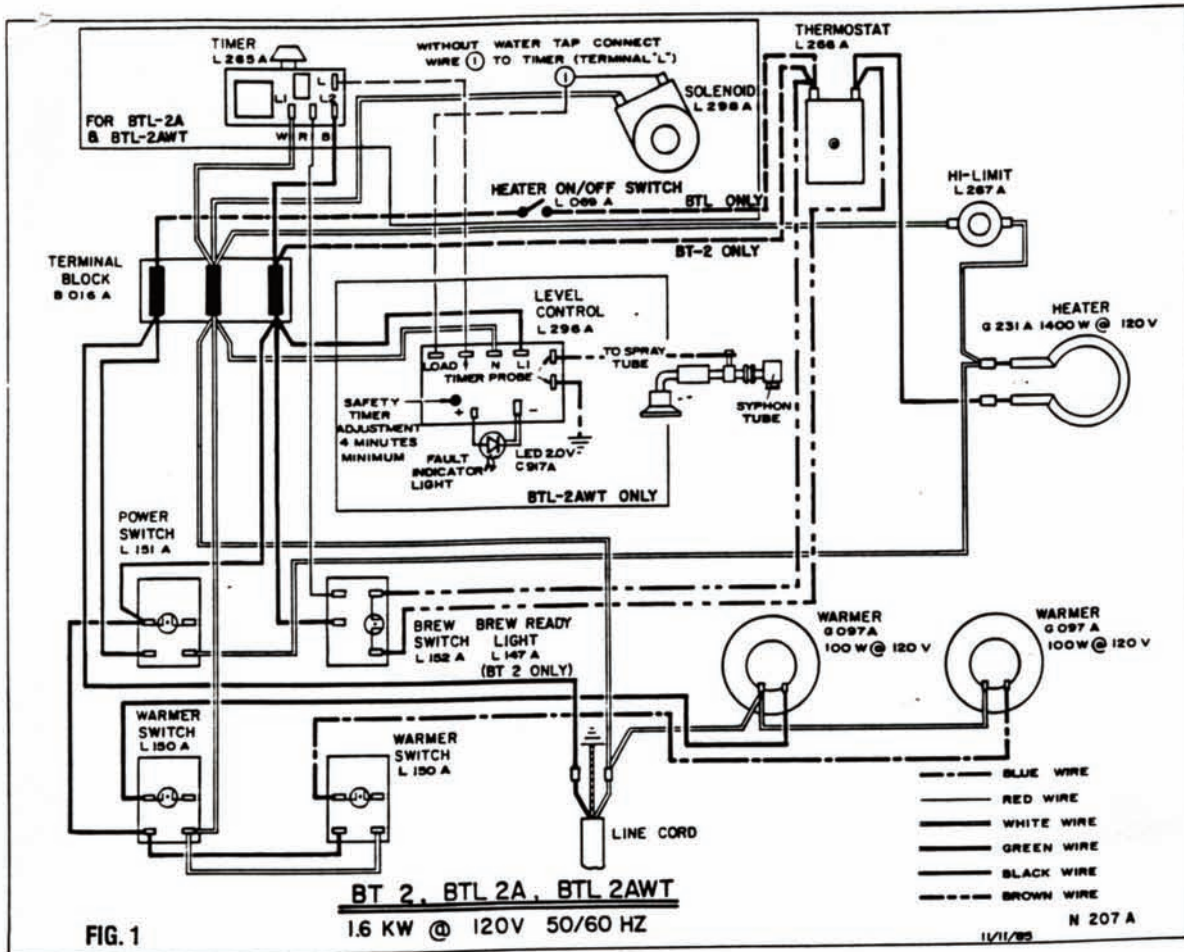


FIG. 1

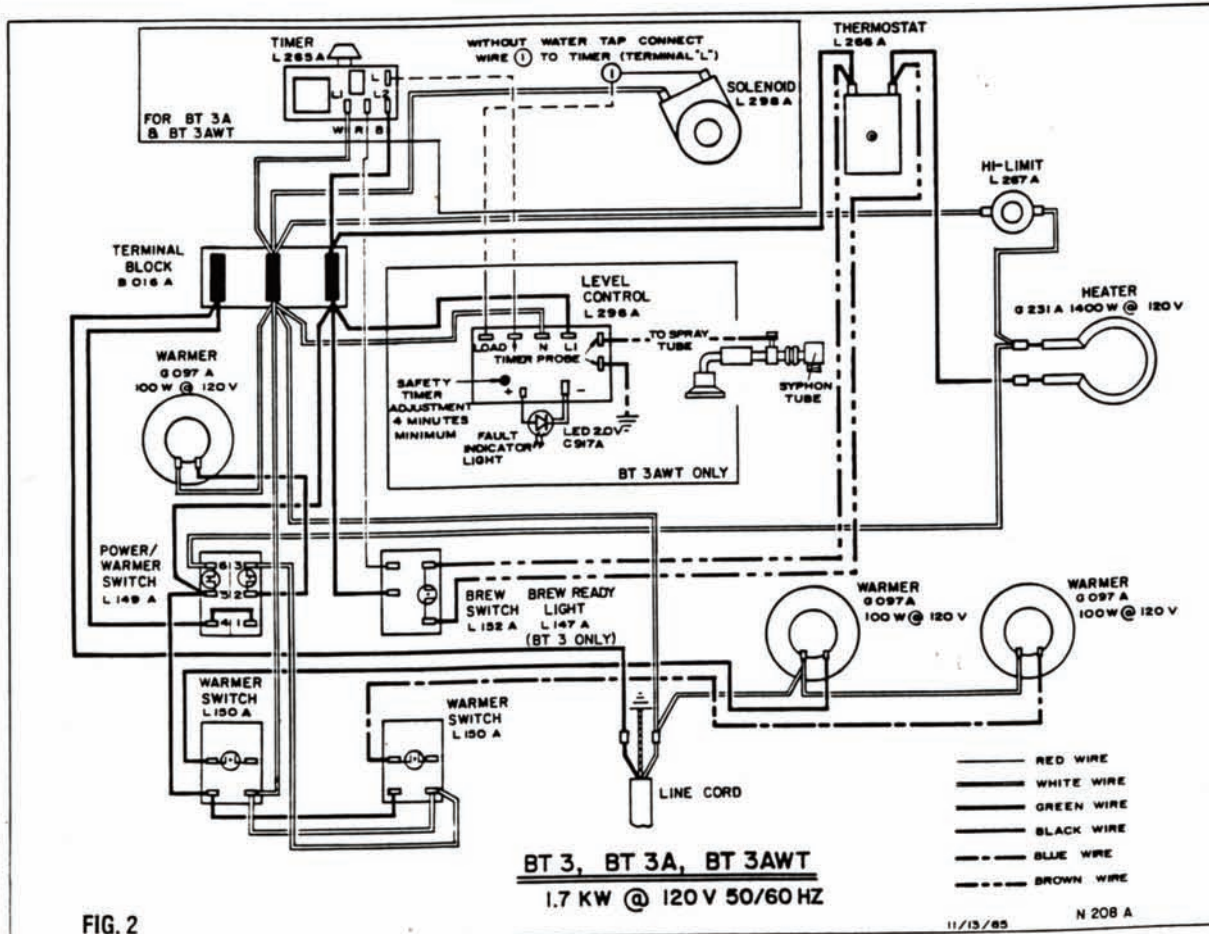


FIG. 2