



# Portable CD Player

## Operating Instructions 使用說明書

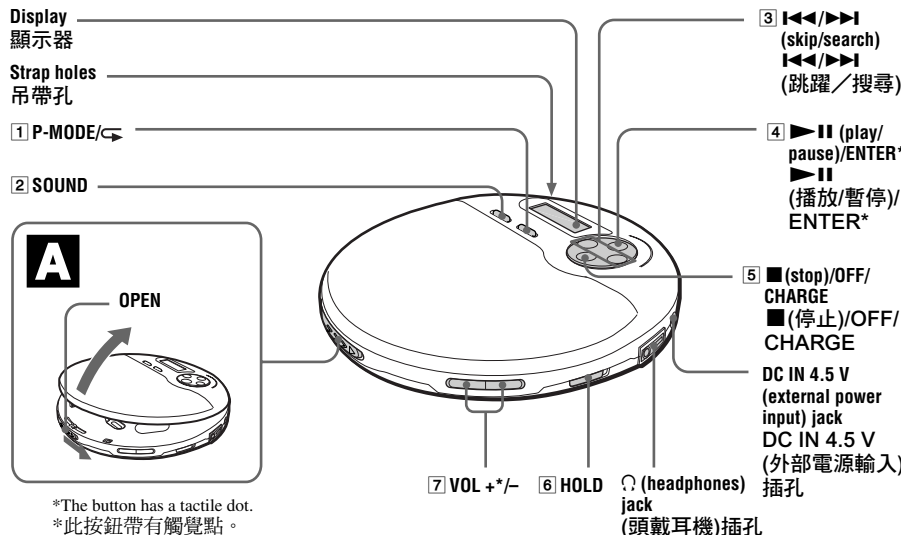


### XP-EV500/EV600B/EV600D

Sony Corporation ©2003

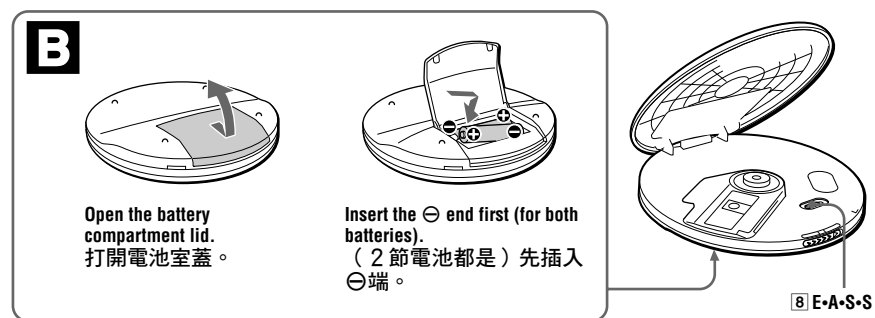
http://www.aiwa.com/

#### CD player (front) CD唱機 (正面)

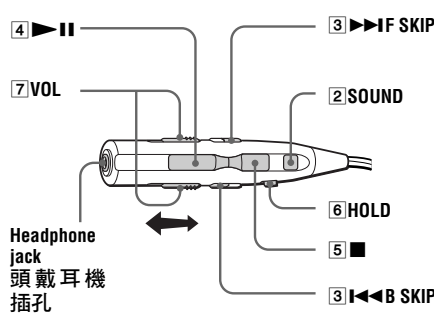


The illustrations below show the model XP-EV600B. 下圖為XP-EV600B型號的圖示。

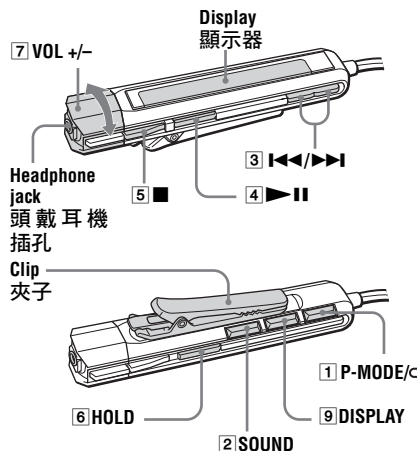
#### CD player (rear/inside) CD唱機 (背面/內部)



#### Remote control (XP-EV600B only) 遙控器 (僅XP-EV600B)



#### Remote control (XP-EV600D only) 遙控器 (僅XP-EV600D)



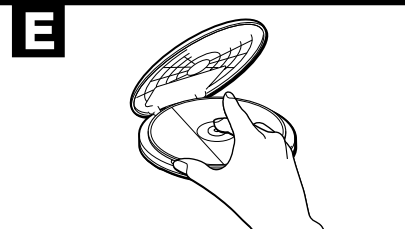
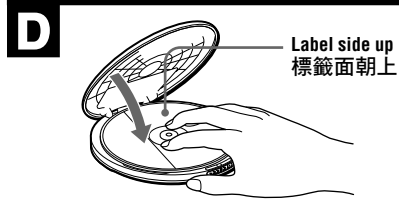
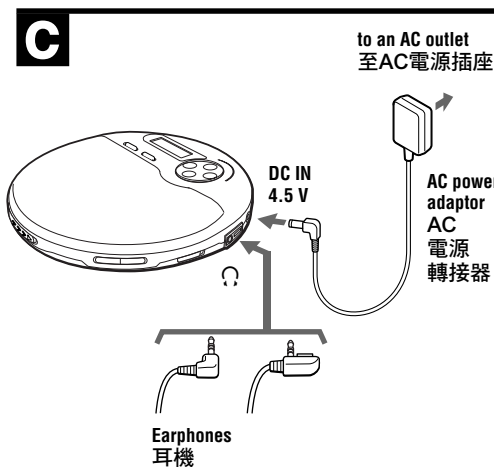
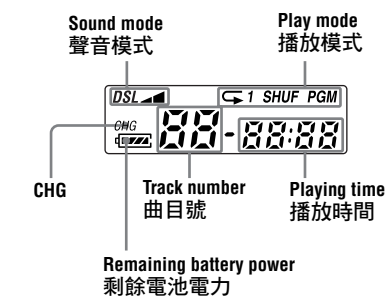
#### Note

Use only the supplied remote control. You cannot operate this CD player with the remote control supplied with other CD players.

#### 註

僅能使用附帶的遙控器。不能用其他CD唱機附帶的遙控器來操作此CD唱機。

#### Display on the CD player CD唱機上的顯示器



#### English

#### WARNING

To prevent fire or shock hazard, do not expose the unit to rain or moisture.

Do not install the appliance in a confined space, such as a bookcase or built-in cabinet.

To prevent fire, do not cover the ventilation of the apparatus with newspapers, tablecloths, curtains, etc. And don't place lighted candles on the apparatus.

To prevent fire or shock hazard, do not place objects filled with liquids, such as vases, on the apparatus.

#### CAUTION

The use of optical instruments with this product will increase eye hazard.

Certain countries may regulate disposal of the battery used to power this product. Please consult with your local authority.

#### CAUTION

• INVISIBLE LASER RADIATION WHEN OPEN  
• DO NOT STARE INTO BEAM OR VIEW DIRECTLY WITH OPTICAL INSTRUMENT

The validity of the CE marking is restricted to only those countries where it is legally enforced, mainly in the countries EEA (European Economic Area).

#### Power Sources

##### To use the batteries (E)

Use only the following batteries for your CD player:

##### Dry batteries

• LR6 (size AA) alkaline batteries (not supplied)

##### Rechargeable batteries

Charge the rechargeable batteries before using them for the first time.  
• Sony NH-7WMAA (supplied with XP-EV600B and XP-EV600D; not supplied with XP-EV500) or commercially-available size AA Ni-MH rechargeable batteries of 1.2 V DC, 700 mAh

##### To insert the batteries

- Open the battery compartment lid on the rear of your CD player.
- Insert two batteries by matching the ⊕ to the diagram in the battery compartment and close the lid until it clicks into place.
- When using the rechargeable batteries, connect the supplied AC power adaptor to the DC IN 4.5V jack of your CD player and an AC outlet, then press ■/OFF/CHARGE to start charging. The CD player charges the batteries. The "CHG" indicator turns on in the display and the indicator sections of light up in succession. When the batteries are completely charged, the "CHG" and indicators get turned off. If you press ■/OFF/CHARGE after the charge has already been completed, the indicator flashes and "Full" appears in the display.
- Disconnect the AC power adaptor.

##### Battery life\* (approx. hours)

(When the CD player is used on a flat and stable place.)  
Playing time varies depending on how the CD player is used.

	E·A·S·S	1	2
Two Sony alkaline batteries LR6 (SG) (produced in Japan)	56	59	
Two NH-7WMAA (charged for about 3 hours**)	18	19	

\* Measured value by the standard of JEITA (Japan Electronics and Information Technology Industries Association).

\*\* Charging time varies depending on how the rechargeable battery is used.

##### To check the remaining power of the batteries

You can check it in the display. Replace the batteries when flashes.



\* Beep sounds only when the CD player is set to sounds beep. See "To turn off the operation beep sound" on the reverse side.

#### Notes

- The indicator sections of roughly shows the remaining battery power. One section does not always indicate one-fourth of the battery power.
- Depending on operating conditions, the indicator sections of may increase or decrease.

##### Notes on using the dry batteries

- Be sure to remove the AC power adaptor.
- When the batteries are depleted, replace both batteries with new ones.

##### To use the AC power adaptor (G)

- Connect the supplied AC power adaptor to an AC outlet.

#### Playing a CD

##### To insert a CD

- Slide OPEN to open the lid (A).
- Fit the CD to the pivot, then close the lid (B).

#### Notes

- This CD player can play discs recorded in the Compact Disc Digital audio (Audio CD) format.
- This CD player can play CD-Rs/CD-RWs recorded in the Compact Disc Digital Audio (Audio CD) format, but playback capability may vary depending on the quality of the disc and the condition of the recording device.
- This product is designed to play back discs that conform to the Compact Disc (CD) standard. Recently, various music discs encoded with copyright protection technologies are marketed by some record companies. Please be aware that among those discs, there are some that do not conform to the CD standard and may not be playable by this product.

##### To operate the CD player

###### Button/switch and its function/operation

- P-MODE/◀ (play mode/repeat)**  
Press repeatedly until the play mode you want appears in the display.  
No indication: Normal play  
"1": Single play  
"SHUF": Shuffle play  
"PGM": PGM (program) play  
To repeat the play mode you selected, press and hold until appears. To cancel it, press and hold again until disappears.
- SOUND**  
Use to emphasize the bass-boosted sound. Press repeatedly to select or . enhances more than .
- ◀▶ (B SKIP/F SKIP) (skip/search)**  
Press or once to find the beginning of the current/next track. Press or repeatedly to find the beginning of the previous/succeeding tracks. Press and hold or to go backward/forward quickly.
- ▶ (play/pause)/ENTER (▶▶)**  
Press to start playing. Press again to pause playing. To play from the first track, press for 2 seconds or more while the CD player is stopped. Press to enter the selected track for the PGM play.
- (stop)/OFF/CHARGE (■)**  
Press to stop playing.
- HOLD**  
Use to lock the controls on your CD player or remote control to prevent accidental button presses. HOLD on the CD player works only for the CD player, while HOLD on the remote control works only for the remote control.
- VOL +/-**  
Press (turn or slide for the remote control) to adjust the volume.
- E·A·S·S\***  
Protect against sound skipping.\*<sup>3</sup> When the switch is set to "2", the E·A·S·S function will be enhanced compared to "1". To walk with the CD player and enjoy high quality CD sound, set the switch to "1". While taking harder exercise, it is recommended that you set it to "2."
- DISPLAY (XP-EV600D only)**  
Press to check the remaining time on the CD and the number of tracks left.

\*<sup>1</sup> If the sound is distorted when using the SOUND function, turn down the volume.

\*<sup>2</sup> E·A·S·S = Electronic Anti-Shock System

\*<sup>3</sup> Sound may skip:  
- if the CD player receives stronger continuous shock than expected,  
- if a dirty or scratched CD is played or  
- when using poor-quality CD-Rs/CD-RWs or if there is a problem with the recording device or application software.

##### To remove the CD

Remove the CD while pressing the pivot (B).

(Continue to the reverse side)

#### 中文 (繁體字)

#### 警告

為防火災或觸電危險，請勿將本機暴露於雨中或潮濕處。

請勿將本機安裝在諸如書櫥或壁櫥等密閉處。

為防火災，請勿讓報紙、桌布、窗簾等蓋住本機的通風孔。也勿在本機上點放蠟燭。

為防火災或觸電危險，請勿在本機上擺飾花瓶等裝滿液體的物體。

#### 注意

用於此產品的光學元件會增加對眼睛的危險。

有些國家對於本產品的電源用電池可能規定有處置的標準。請洽詢當地有關當局。

#### 注意

- 打開時，有看不見的雷射線
- 請勿凝視雷射線或直接看光學元件
- A C 電源轉接器之電源線上的鐵芯係抑制 EMC 電磁波干擾用，請勿任意移除。  
(備註：A C 電源轉接器之電源線的鐵芯為外接式，需在線上纏繞二圈後加以固定。)

CE 標誌的有效性僅限於有法律限制的國家，主要為 EEA (歐洲經濟區) 國家。

#### 電源

##### 要使用電池(E)時

此CD唱機僅能使用下列電池：

##### 乾電池

- LR6 (AA) 鹼性電池 (不附帶)

##### 充電式電池

初次使用充電式電池時，請給電池充電。  
• Sony NH-7WMAA (XP-EV600B和XP-EV600D附帶，XP-EV500不附帶)或市售AA尺寸1.2V DC 700mAh的鎳金屬氫充電式電池

##### 要裝入電池時

- 打開CD唱機背面的電池室蓋。
- 裝入2節電池，使⊕對準電池室中的圖示，然後蓋上蓋子，直至發出「卡嗒」的響聲。
- 使用充電式電池時，請將附帶的AC電源轉接器連接到CD唱機的DC IN 4.5V插孔和AC電源插座，然後按■/OFF/CHARGE，開始充電。CD唱機給電池充電。顯示器上的「CHG」指示燈點亮，指示段節持續點亮。電池完全充滿後，「CHG」和指示消失。完全充滿後如果按■/OFF/CHARGE，則指示段節閃爍，並在顯示器上出現「Full」。
- 拔下AC電源轉接器。

##### 電池使用壽命\* (大約時數)

(在平穩表面上使用此CD唱機時。)  
播放時間因CD唱機的使用狀態而異。

	E·A·S·S	1	2
2節Sony鹼性電池LR6(SG) (日本生產)	56	59	
2節NH-7WMAA (充電約3小時**)	18	19	

\* JEITA (日本電子資訊技術工業協會)的標準測值。

\*\* 充電時間因充電式電池的使用狀況而異。

##### 要檢查電池的剩餘電力時

可在顯示器上檢查。

當閃爍時請更換電池。



\* 僅當CD唱機被設定為發聲時，發聲才會鳴響。請參閱背面的「要關掉操作才聲時」。

#### 註

- 的指示段節粗示剩餘電池電力。其一個段節並不一定代表電池電力的四分之一。
- 根據使用條件，的指示段節可能增加或減少。

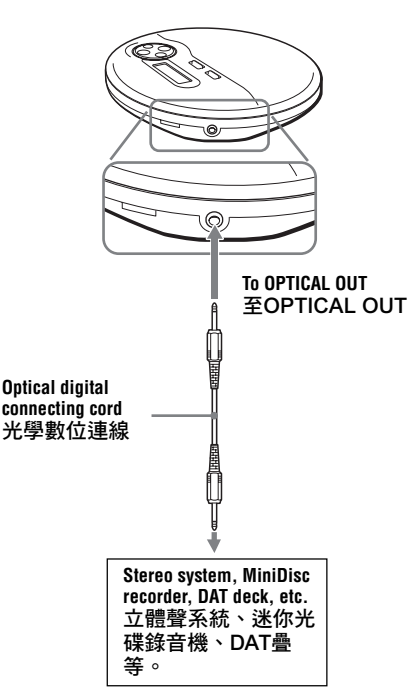
##### 使用乾電池須知

- 請務必取下AC電源轉接器。
- 電池耗盡時，請更換2節新電池。

##### 要使用AC電源轉接器(G)時

- 將附帶的A C 電源轉接器連接到A C 電源插座上。

**F** (XP-EV600D only)（僅XP-EV600D）



## English

**Checking the remaining time on the CD and the number of tracks left (XP-EV600D only)**

You can check the remaining time on the CD and the number of tracks left using DISPLAY on the remote control.

- Press DISPLAY on the remote control.

Each time you press the button, the display changes as follows:

Normal play	<b>Track number and elapsed playing time</b>
Press DISPLAY once.	<b>Track number and remaining time on the current track</b>
Press DISPLAY once again.	<b>The number of tracks left and remaining time on the CD*</b>

\* Not displayed during single play or shuffle play.

**To turn off the operation beep sound**

You can turn off the beep sound that is heard from your headphones/earphones when you operate your CD player.

- Remove the power source (AC power adaptor, rechargeable batteries or dry batteries) from the CD player.
- Connect the power source while pressing ■/OFF/CHARGE on the CD player or ■ on the remote control.

**To turn on the beep sound**
Remove the power source and then connect the power source without pressing ■/OFF/CHARGE.

## Playing tracks in your favorite order (PGM play)

You can program the CD player to play up to 24 tracks in your favorite order.

- During playback, press P-MODE/◀ repeatedly until “PGM” appears.
- Press ◀▶ or ▶▶ to select a track.
- Press ▶▶ to enter the selected track.

“00” appears and the playing order increases by one.
- Repeat steps 2 and 3 to select the tracks in your favorite order.
- Press and hold ▶▶ until the PGM play starts.

**To check the program**

During programming, press ▶▶ repeatedly before step 5. Each time you press ▶▶, the track number appears.

**Notes**

- During the PGM play, you cannot check the program.
- When you finish entering the 24th track in step 3, the first selected track appears in the display.
- If you select more than 24 tracks, the first selected tracks are erased.

## Connecting a stereo system (XP-EV600D only) (F)

You can listen to CDs through a stereo system and record CDs on a cassette tape and a MiniDisc. For details, see the instruction manual that comes with the connected device. Be sure to turn off all connected devices before making connections.

**Notes**

- Before you play a CD, turn down the volume of the connected device to avoid damaging the connected speakers.
- Us the AC power adaptor for recording. If you use the rechargeable batteries or dry batteries as a power source, batteries may become completely depleted during recording.
- Adjust the volume properly on the connected device so that the sound will not be distorted.

**When recording a CD on a MiniDisc or DAT**

Make sure that the CD player is in pause before operating the recording procedures.

**About the E·A·S·S and SOUND function when using the optical digital connect-ing cord**

- To record high quality CD sound, set the E·A·S·S switch to “I.”
- The SOUND function does not work on the the output sound from the OPTICAL OUT jack.

## Precautions

**On safety**

- Should any solid objects or liquid fall into the CD player, unplug it and have it checked by qualified personnel before operating it any further.
- Do not put any foreign objects in the DC IN 4.5 V (external power input) jack.

**On power sources**

- When you are not using the CD player for a long time, disconnect all power sources from the CD player.

**On AC power adaptor**

- Use only the AC power adaptor supplied. Do not use any other AC power adaptor. It may cause a malfunction.

**Polarity of the plug**



- Do not touch the AC power adaptor with wet hands.
- Connect the AC power adaptor to an easily accessible AC outlet. Should you notice an abnormality in the AC power adaptor, disconnect it from the AC outlet immediately.

**On rechargeable batteries and dry batteries**

- Do not charge the dry batteries.
- Do not throw the batteries into fire.
- Do not carry the batteries with coins or other metallic objects. It can generate heat if the positive and negative terminals of the battery are accidentally contacted by a metallic object.
- Do not mix rechargeable batteries with dry batteries.
- Do not mix new batteries with old ones.
- Do not use different types of batteries together.
- When the batteries are not to be used for a long time, remove them.
- If battery leakage occurs, wipe off any deposit in the battery compartment, and install new batteries. In case the deposit adheres to you, wash it off thoroughly.

**Notes on the rechargeable batteries**

- To keep the original battery capacity for a long time, charge the batteries only when they are completely depleted.
- If the battery is new or has not been used for a long time, it may not be charged completely until you charge and discharge it several times.
- When carrying the rechargeable batteries, use the battery carrying case supplied with the rechargeable batteries to prevent unexpected heat. If the rechargeable batteries and the metallic objects get contacted, heat or fire may occur due to a short circuit.
- When to **replace the rechargeable batteries**
If the battery life becomes shorter by about half, replace the batteries with new rechargeable batteries.

**On the CD player**

- Keep the lens on the CD player clean and do not touch it. If you do so, the lens may be damaged and the CD player will not operate properly.
- Do not put any heavy object on top of the CD player. The CD player and the CD may be damaged.
- Do not leave the CD player in a location near heat sources, or in a place subject to direct sunlight, excessive dust or sand, moisture, rain, mechanical shock, unlevelled surface, or in a car with its windows closed.
- If the CD player causes interference to the radio or television reception, turn off the CD player or move it away from the radio or television.
- Discs with non-standard shapes (e.g., heart, square, star) cannot be played on this CD player. Attempting to do so may damage the CD player. Do not use such discs.

**Note on moisture condensation**

If the CD player is suddenly moved from a cold place to a warm place, it may result in moisture condensation on the pickup lens and malfunction or playback difficulties. Should this occur, leave the CD player for a few hours, then try playback again.

**On headphones/earphones**

**Road safety**

Do not use headphones/earphones while driving, cycling, or operating any motorized vehicle. It may create a traffic hazard and is illegal in some areas. It can also be potentially dangerous to play your headsets at high volume while walking, especially at pedestrian crossings. You should exercise extreme caution or discontinue use in potentially hazardous situations.

**Preventing hearing damage**

Avoid using headphones/earphones at high volume. Hearing experts advise against continuous, loud and extended play. If you experience a ringing in your ears, reduce volume or discontinue use.

**Consideration for others**

Keep the volume at a moderate level. This will allow you to hear outside sounds and to be considerate to the people around you.

## Maintenance

**To clean the casing**

Use a soft cloth slightly moistened in water or a mild detergent solution. Do not use alcohol, benzine or thinner.

**To clean the plugs**

If the plugs become dirty, there is no sound or noise is heard. Clean them with a dry soft cloth periodically.

## Troubleshooting

Should any problem persist after you have made these checks, consult your nearest Aiwa dealer.

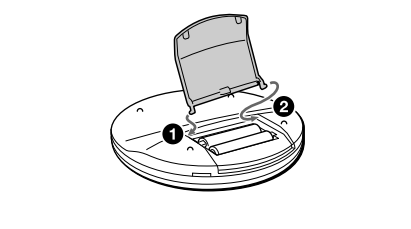
**“Hold” appears in the display when you press a button, and the CD does not play.**

→The buttons are locked. Slide HOLD back.

**The CD player does not start charging.**
→During stop, press ■/OFF/CHARGE.
→For XP-EV600B and XP-EV600D, press ■ on the CD player, not ■ on the remote control.

**The battery compartment lid is de-tached by an accidental drop, excessive force, etc.**

→Attach it as illustrated below.



## Specifications

<b>System</b>
Compact disc digital audio system
<b>Laser diode properties</b>
Material: GaAlAs
Wavelength: λ = 780 nm
Emission duration: Continuous
Laser output: Less than 44.6 μW (This output is the value measured at a distance of 200 mm from the objective lens surface on the optical pick-up block with 7 mm aperture.)
<b>Power requirements</b>
For the area code of the model you purchased, check the upper left side of the bar code on the package.
• Two LR6 (size AA) batteries: 3 V DC
• Two Ni-MH rechargeable batteries (size AA) (Sony NH-7WMAA or equivalent): 2.4 V DC
• AC power adaptor (DC IN 4.5 V jack): <ul style="list-style-type: none"><li>KR4 and E18 models: 100 – 240 V, 50/60 Hz</li> <li>TW2 model: 120 V, 60 Hz</li> <li>CNA model: 220 V, 50 Hz</li> <li>HK4 model: 230 V, 50/60 Hz</li> <li>AU2 model: 240 V, 50 Hz</li></ul>

**Dimensions (w/h/d) (without projecting parts and controls)**

Approx. 136×20.4×139 mm

**Mass (excluding accessories)**

Approx. 175 g

<b>Operating temperature</b>
5°C – 35°C
<span> </span>
Design and specifications are subject to change without notice.

### Supplied Accessories

XP-EV500:	Earphones (1) <p>AC power adaptor (1)</p>
XP-EV600B:	Earphones with remote control (1) <p>AC power adaptor (1)</p> <p>Rechargeable batteries (2)</p> <p>Battery carrying case (1)</p>
XP-EV600D:	Earphones with LCD remote control (1) <p>AC powper adaptor (1)</p> <p>Rechargeable batteries (2)</p> <p>Battery carrying case (1)</p>

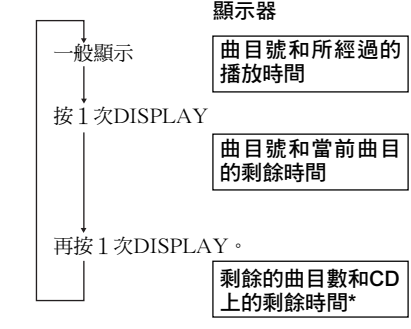
## 中文（繁體字）

**檢查CD的剩餘時間和剩餘曲目數（僅XP-EV600D）**

可用遙控器上的DISPLAY來檢查CD的剩餘時間和剩餘曲目數。

- 按遙控器上的DISPLAY。

每按一次按鈕，如下所示地改變顯示：



\*單曲播放或隨機播放時不顯示。

**要關掉操作嗶聲時**
可以關掉操作C D 唱機時能從頭戴耳機／耳機聽到的嗶聲。

- 從CD唱機上拆下電源（AC 電源轉接器、充電式電池或乾電池）。
- 邊按CD唱機上的■/OFF/CHARGE或遙控器上的■，邊連接電源。

**要打開嗶聲時**
拆下電源，然後連接電源，連接時不要按■/OFF/CHARGE。

## 按所需順序播放曲目 (PGM播放)

可以使C D 唱機按照所需順序，程式播放多至24個曲目。

- 播放時反覆按P-MODE/◀，直至出現「PGM」。
- 按◀◀或▶▶，選擇曲目。
- 按▶▶，輸入所選曲目。出現「00」，並增加1個播放順序。
- 反覆步驟2和3，按所需順序選擇曲目。
- 按住▶▶，直至開始PGM播放。

**要檢查程式時**
播放時，在步驟5之前反覆按 ▶▶。每按一次▶▶，會出現曲目號。

**註**

- PGM播放時，不能檢查程式。
- 在步驟3輸入完24個曲目時，會在顯示器上出現第1個選擇的曲目。
- 如果選擇的曲目多於24個，則會拭除第1個選擇的曲目。

## 連接立體聲系統（僅XP-EV600D）(F)

可以透過立體聲系統收聽CD，並可將CD錄在磁帶和迷你光碟上。詳細說明，請參閱所連接的裝置的使用說明書。連接前請務必關閉所有連接的裝置。

**註**

- 播放C D 前，請降低所連接的裝置的音量以防損壞所連接的揚聲器。
- 錄音時請使用A C 電源轉接器。若將充電式電池或乾電池作為電源，則在錄音時電池可能會完全耗盡。
- 請在所連接的裝置上適當調節音量，以使聲音不走音。

**將CD錄在迷你光碟或DAT上時**
在進行錄音操作前請務必確認C D 唱機處於暫停狀態。

**有關使用光學數位連線時的E·A·S·S和SOUND功能**

- 要錄高質C D音響時，請將E·A·S·S開關設為「1」。
- SOUND功能對OPTICAL OUT插孔的輸出聲音無效。

## 注意事項

**安全須知**

- 若有固體或液體掉進C D 唱機內時，請立即斷開電源並請有資格的人檢查後再繼續使用。
- 請勿將任何異物塞入DC IN 4.5V（外接電源輸入）插孔。

**電源須知**

- 長期不使用CD唱機時，請斷開所有電源。

**AC電源轉接器須知**

- 僅能使用附帶的A C 電源轉接器。請勿使用其他任何類型的A C 電源轉接器，否則可能會引起故障。

##### 插頭極性



- 請勿用濕手觸摸AC電源轉接器。
- 請將AC電源轉接器連接到易於連接的AC電源插座上。發現A C 電源轉接器不正常時，請將其立即從AC電源插座上拔下。

**充電式電池和乾電池須知**

- 請勿給乾電池充電。
- 請勿將電池扔入火中。
- 請勿將電池和硬幣或其他金屬物品混在一起攜帶。否則電池的正負極若被金屬物品相連接，則會發熱。
- 請勿混用充電式電池和乾電池。
- 請勿混用新舊電池。
- 請勿混用不同類型的電池。
- 長期不使用電池時，請將其取出。
- 電池漏液時，請擦去電池室內的漏液，並裝入新電池。如果皮膚沾上漏液時，請將其徹底洗淨。

**充電式電池須知**

- 為長期保持充電式電池的原有容量，請僅在完全耗盡時才給電池充電。
- 新的充電式電池或長期未使用的充電式電池可能不能完全充滿電，須等充電使用數次之後才能完全充滿電。
- 攜帶充電式電池時，請使用充電式電池附帶的電池攜帶盒以防意外發熱。如果充電式電池和金屬物品混合放置，則可能會因短路而發熱或起火。

**何時更換充電式電池**
當電池使用時間縮短到約一半時，請更換新的充電式電池。

**CD唱機須知**

- 請保持C D 唱機上的透鏡乾淨清潔，不要用手觸摸。否則會損壞透鏡，C D 唱機不能正常工作。
- 請勿在CD唱機上堆置重物，否則會壓壞CD唱機和CD光碟。
- 請勿將C D 唱機放在熱源附近，或放在陽光直接照射到的地方、或多塵多沙、潮濕、淋到雨、有機械衝擊、不平坦的地方、或車窗緊閉的汽車內。
- 如果C D 唱機影響收音機或電視機的接收，請關掉CD唱機或將其移離收音機或電視機。
- 此C D 唱機不能用於播放形狀不規則（例如心形、方形、星形）的光碟，否則會損壞CD唱機。請勿使用該類光碟。

**有關結露的說明**

如果將C D 唱機從較冷的地方突然移到較暖和的地方時，可能會在拾音透鏡上結露並發生故障或造成播放困難。此時，請將C D 唱機擱置幾個小時，然後再試著播放。

##### 頭戴耳機/耳機須知

**路上安全**

開車、騎車或操作任何機動車輛時，請勿使用頭戴耳機／耳機，否則可能有造成交通事故的危險，而且在有些地區是違法的。行走時如果用大音量收聽耳機也有潛在危險，特別是在橫越馬路時。在有潛在危險的情況下，必須特別注意或停止使用。

**防止損傷聽覺**

勿用大音量收聽頭戴耳機／耳機。聽覺專家建議不要連續收聽、大音量收聽及持續收聽。若感到耳鳴，請降低音量或停止使用。

**顧及他人**
請用適當的音量收聽，以便可聽到周圍的聲音並且不會影響到周圍的人。

## 保養

**要清潔外殼時**

用稍微沾上一些水或中性清潔劑的軟布。請勿用酒精、汽油或稀釋劑。

**要清潔針形接點時**

如果針形接點較髒，則會發不出聲音或有噪聲。請周期性地用乾的軟布擦拭。

### 故障檢修

檢查過這些征候但仍不能解決問題時，請向附近的愛華經銷店洽詢。

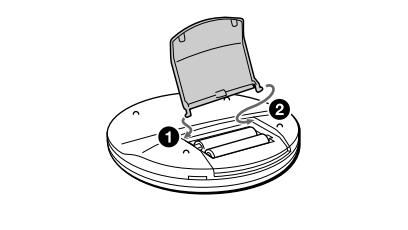
**按下按鈕時在顯示器上出現「Hold」，不播放CD。**

→按鈕被鎖定。請將HOLD滑回。

**CD唱機不充電。**
→停止時，按■/OFF/CHARGE。
→使用XP-EV600B和XP-EV600D時，請按CD唱機上的■，而不是遙控器上的■。

**電池室蓋因不小心掉下或施力過大而脫開。**

→如下圖所示地裝上。



### 規格

**系統**

CD數位聲訊系統

**雷射二極體特性**

材料：GaAlAs
波長：λ = 780nm
發射持久性：連續
雷射輸出：小於44.6 μW（此輸出值是在距離7mm光圈的光學拾音元件的物鏡鏡面200mm處測得的。）

**電源**

有關您購買的型號的區域碼，請參看包裝上的條形碼的左上角。

- 2節LR6 (AA) 電池：3 V DC
- 2節錄金屬氫充式電池（A A）（Sony NH-7WMAA或同等產品）：2.4 V DC
- AC電源轉接器（DC IN 4.5V插孔）：
  - KR4和E18型號：100～240 V，50/60 Hz
  - TW2型號：120V，60Hz
  - CNA型號：220V，50Hz
  - HK4型號：230V，50/60Hz
  - AU2型號：240V，50Hz

**D尺寸（寬／高／深）（不包括突起部分和控制器）**
約136×20.4×139mm

**質量（不包括附件）**
約175g

**工作溫度**
5°C～35°C

設計和規格若有變更，恕不另行通告。

## 附帶附件

XP-EV500	：耳機(1) <p>AC電源轉接器(1)</p>
XP-EV600B	：附遙控器的耳機(1) <p>AC電源轉接器(1)</p> <p>充電式電池(2)</p> <p>電池攜帶盒(1)</p>
XP-EV600D	：附LCD遙控器的耳機(1) <p>AC電源轉接器(1)</p> <p>充電式電池(2)</p> <p>電池攜帶盒(1)</p>