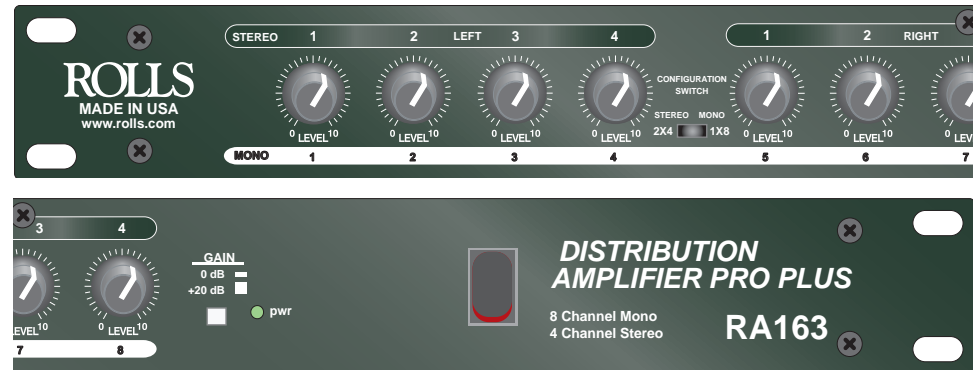


ROLLS

RA163

DISTRIBUTION AMPLIFIER



FEATURES

- Stereo 4 channel or Mono 8 channel audio distribution
- Front panel volume controls
- Balanced inputs and outputs

SPECIFICATIONS

Input Impedance:	20 K Ω Balanced
Max Input Level:	+22 dBV
Output Impedance:	100 Ω Balanced
Max Output Level:	+24 dB
Max Gain:	20 dB
S/N Ratio:	>90 dB
Frequency Response:	10 Hz - 40 kHz, +/- 1 dB
THD:	<.008%
Power:	120 VAC 50-60 Hz, 15VA
Size:	19" x 1.75" x 6.5" (48 x 4.5 x 17 cm)
Weight:	7 lbs. (3 kg)

ROLLS

ROLLS CORPORATION
SALT LAKE CITY, UTAH

08/09

Quick Start Operation Guide

INTRODUCTION

Thank you for your purchase of the ROLLS RA163 Distribution Amplifier. This unit will distribute a mono signal to eight outputs, or a stereo signal to four right and four left outputs. The outputs are designed to drive high-level balanced lines in a sound distribution system.

NOTE: THIS MANUAL ASSUMES THE USER HAS A BASIC WORKING KNOWLEDGE OF AUDIO ELECTRONICS, BALANCED AND UNBALANCED CONNECTIONS, AND PROPER SIGNAL LEVEL SETTING.

DESCRIPTION FRONT PANEL



Mono 1 - 8 / Stereo 1 - 4: These volume controls vary the level of signal for each indicated output.

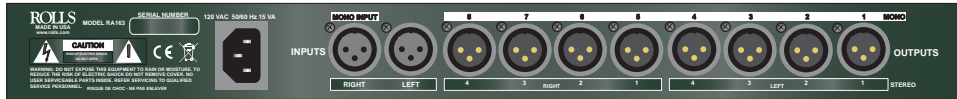
+20dB/0dB Gain switch: Depressing this switch provides 20 dB of gain to the input signal.

pwr: LED indicating the unit's power status.

STEREO/MONO CONFIGURATION

Use the 2X4 - 1X8 switch to change the stereo/mono configuration of the RA163. Follow the silk screening on the unit for proper connection.

REAR PANEL



120 VAC 50/60 HZ 15 VA: IEC Power Connector - Connect to the power cord, and to a properly grounded AC source.

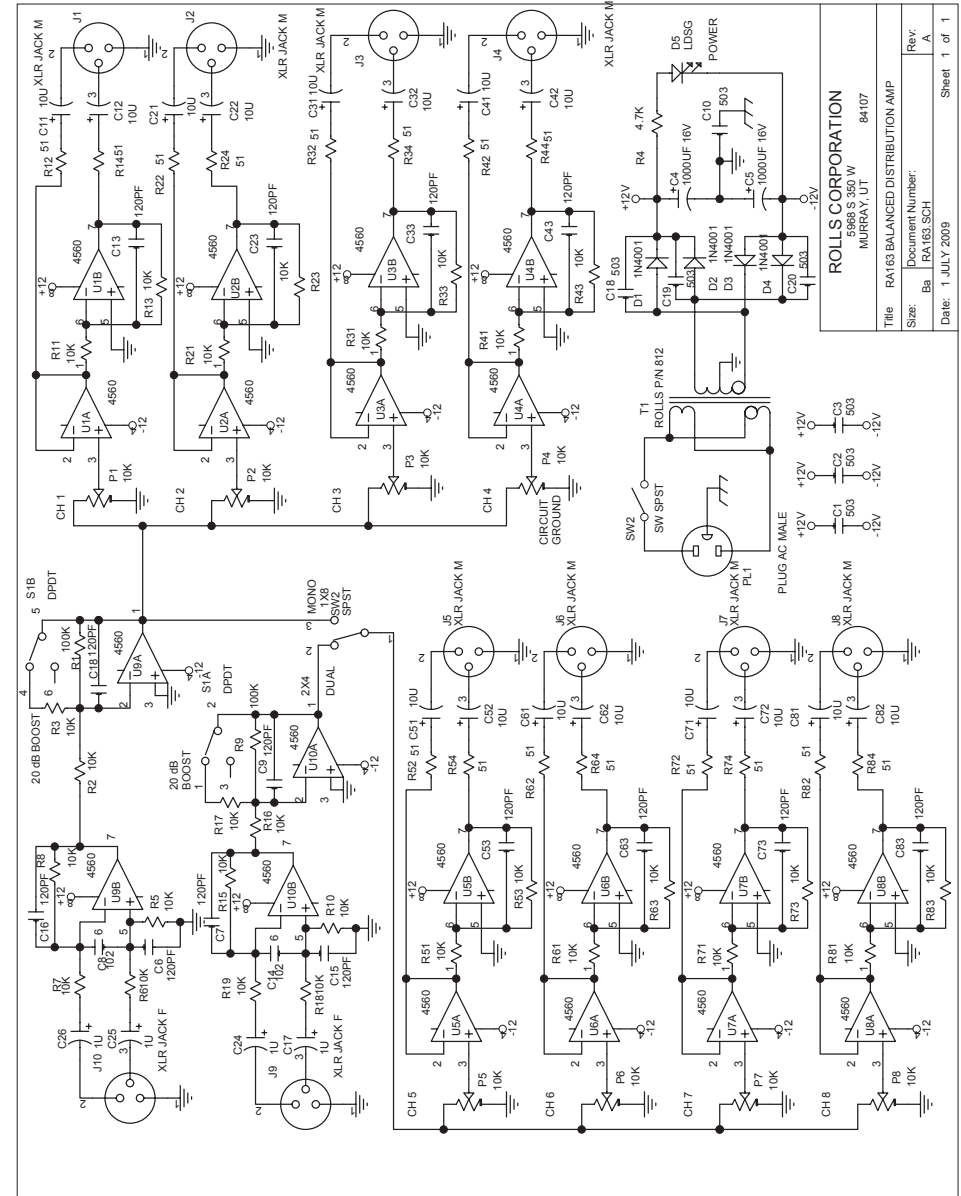
INPUTS Right/Mono and Left: Balanced XLR jacks.

MONO 1 - 8, STEREO 1 - 4: Balanced XLR output jacks.

INSTALLATION

Install the RA163 in a standard 19" rack. The unit is intended for installations where several zones or areas need to be controlled and a high level balanced signal is required to drive the input lines.

SCHEMATIC



ROLLS CORPORATION	
5968 S. 350 W.	
MURRAY, UT	
84107	
Title	RA163 BALANCED DISTRIBUTION AMP
Size	Document Number:
	Ba RA163.SCH
Rev.	A
Date:	1 JULY 2009
	Sheet 1 of 1