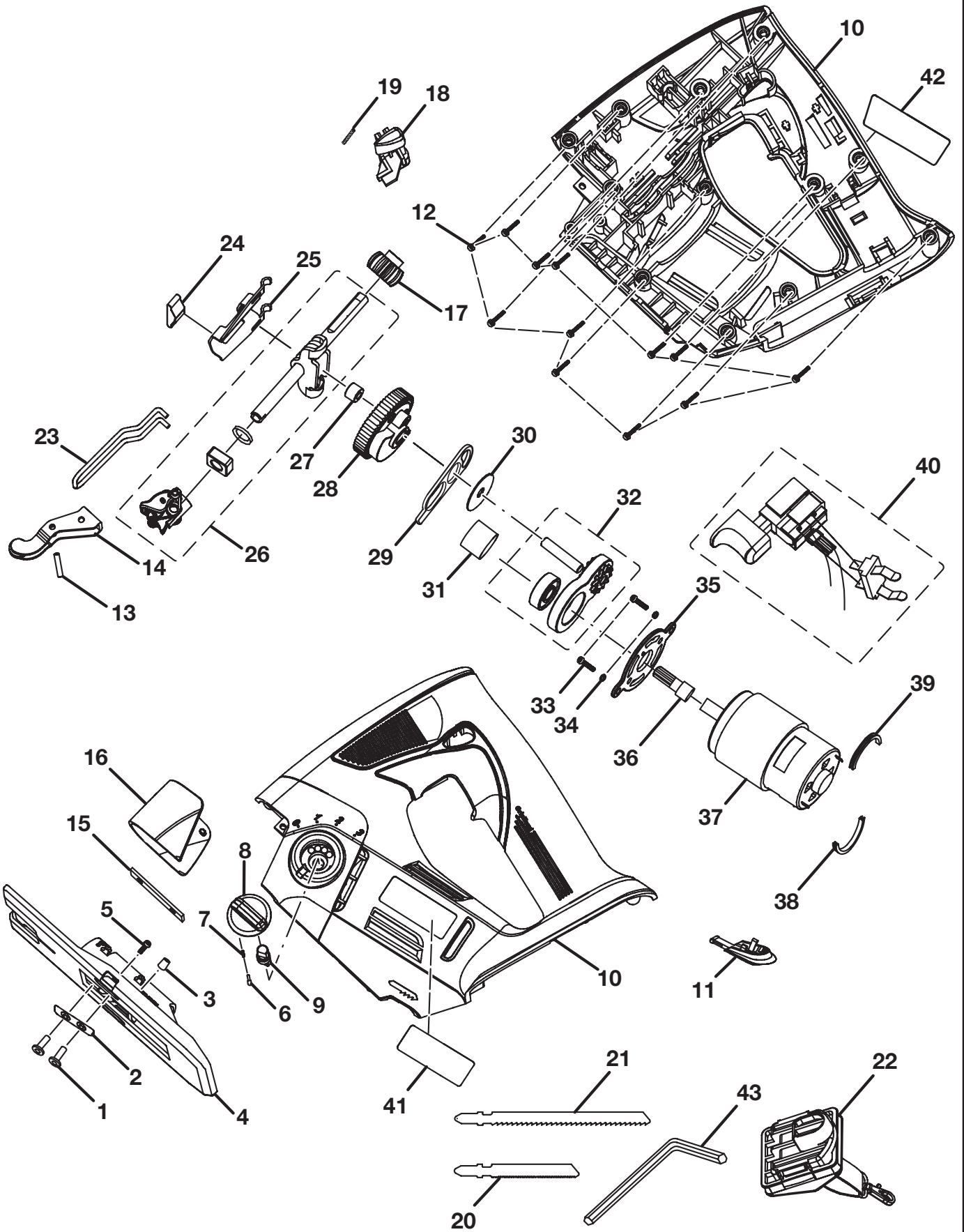


**RYOBI
18 VOLT JIG SAW
MODEL NO. P522
REPAIR SHEET**

RYOBI 18 VOLT JIG SAW - MODEL NUMBER P522



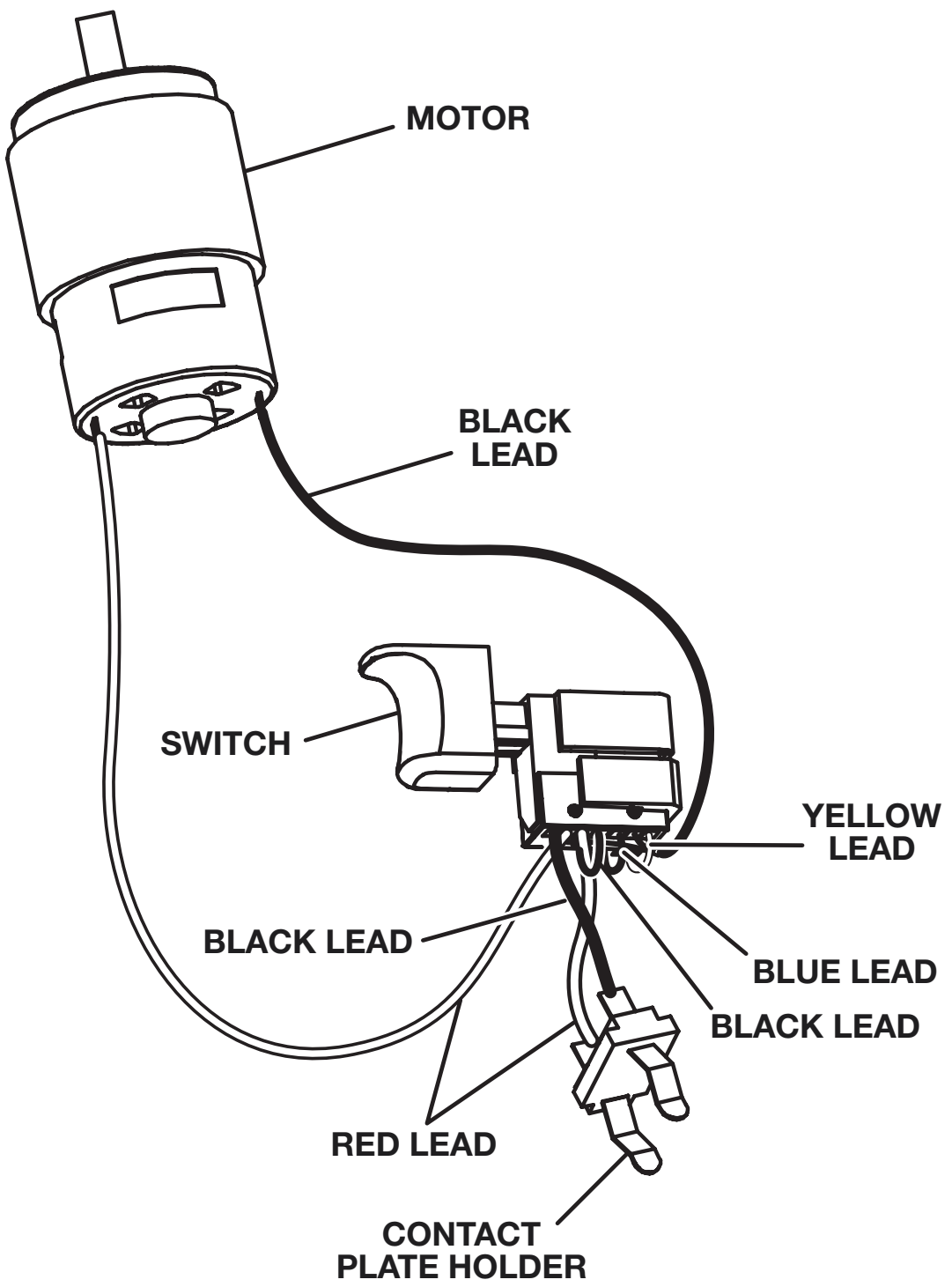
RYOBI 18 VOLT JIG SAW – MODEL NUMBER P522

The model number will be found on a plate attached to the motor housing. Always mention the model number in all correspondence regarding your **JIG SAW** or when ordering repair parts.

PARTS LIST

KEY PART NO. NUMBER	DESCRIPTION	QTY.	KEY PART NO. NUMBER	DESCRIPTION	QTY.
1	660302002 * SCREW (10-24 X 1/2 in.)	2	25	630845003 SLIDE GUIDE PLATE	1
2	630847003 CLAMP PLATE	1	26	301007004 QUICK CLAMP BLADE ASSEMBLY	1
3	550432001 RUBBER TUBE	1	27	300019002 BUSHING ASSEMBLY W/BEARING	1
4	631737001 BASE	1	28	220016102 GEAR ASSEMBLY	1
5	660302001 * SCREW (10-24 X 3/8 in.)	1	29	630843002 DRIVE PLATE	1
6	550424002 DETENT BUTTON	1	30	630844001 WASHER	1
7	680909001 SPRING	1	31	671112001 SLEEVE	1
8	380042001 ORBITAL KNOB	1	32	300477004 BEARING BLOCK ASSEMBLY W/BEARING	1
9	680910004 ROD	1	33	660212001 * SCREW (M4 X 6 mm)	2
10	200202474 HOUSING ASSEMBLY	1	34	6703001 SPRING WASHER	2
11	514047001 BLADE DOOR	1	35	630193002 MOUNTING PLATE	1
12	6620805 * SCREW (M4 X 16 mm)	12	36	610377002 PINION	1
13	680906003 PIN	1	37	740527001 MOTOR	1
14	300577025 BLADE GUIDE ASSEMBLY	1	38	570263001 RUBBER CUSHION	1
15	630848002 STRIP NUT	1	39	570264001 RUBBER CUSHION	1
16	514495001 TRANSPARENT COVER	1	40	270001160 SWITCH ASSEMBLY	1
17	300306017 HEAT SINK ASSEMBLY	1	41	940054127 LOGO LABEL	1
18	514045001 SAFETY BUTTON	1	42	940003472 DATA LABEL	1
19	670998004 SPRING	1	43	680907001 HEX KEY (1/8 in.)	1
20	690227036 CUT-METAL BLADE	1		983000943 OPERATOR'S MANUAL	
21	690227035 CUT-WOOD BLADE	1		983000943R REPAIR SHEET (REV:00)	
22	200292003 PLUG IN LANYARD	1		04-21-06	
23	681046001 METAL WIRE (BLADE GUARD)	1			
24	630849001 RETURN SPRING	1			

* Standard Hardware Item – May Be Purchased Locally



WIRING DIAGRAM