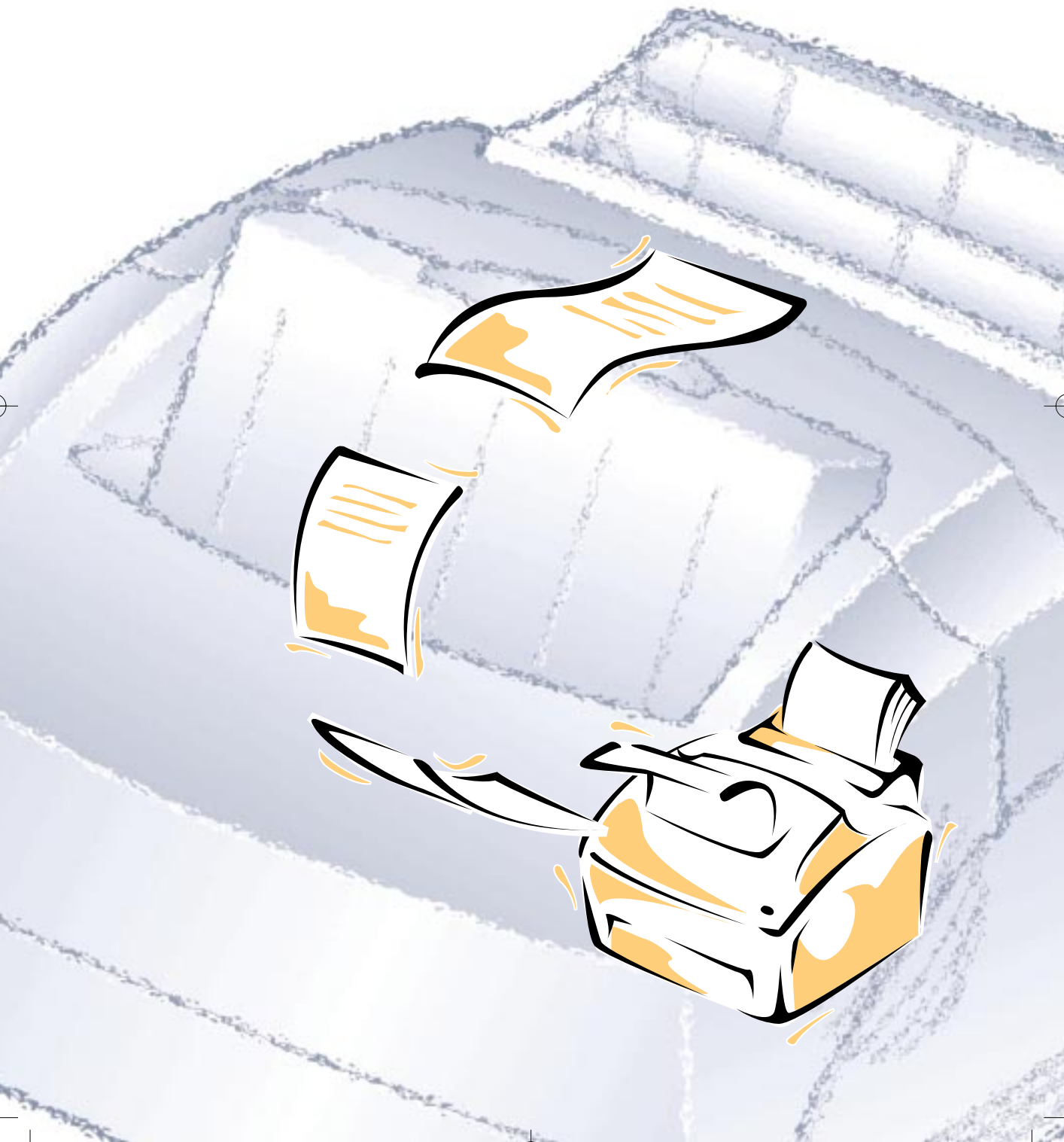


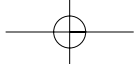


# LASER PRINTER

# ML-5000A

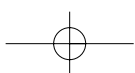
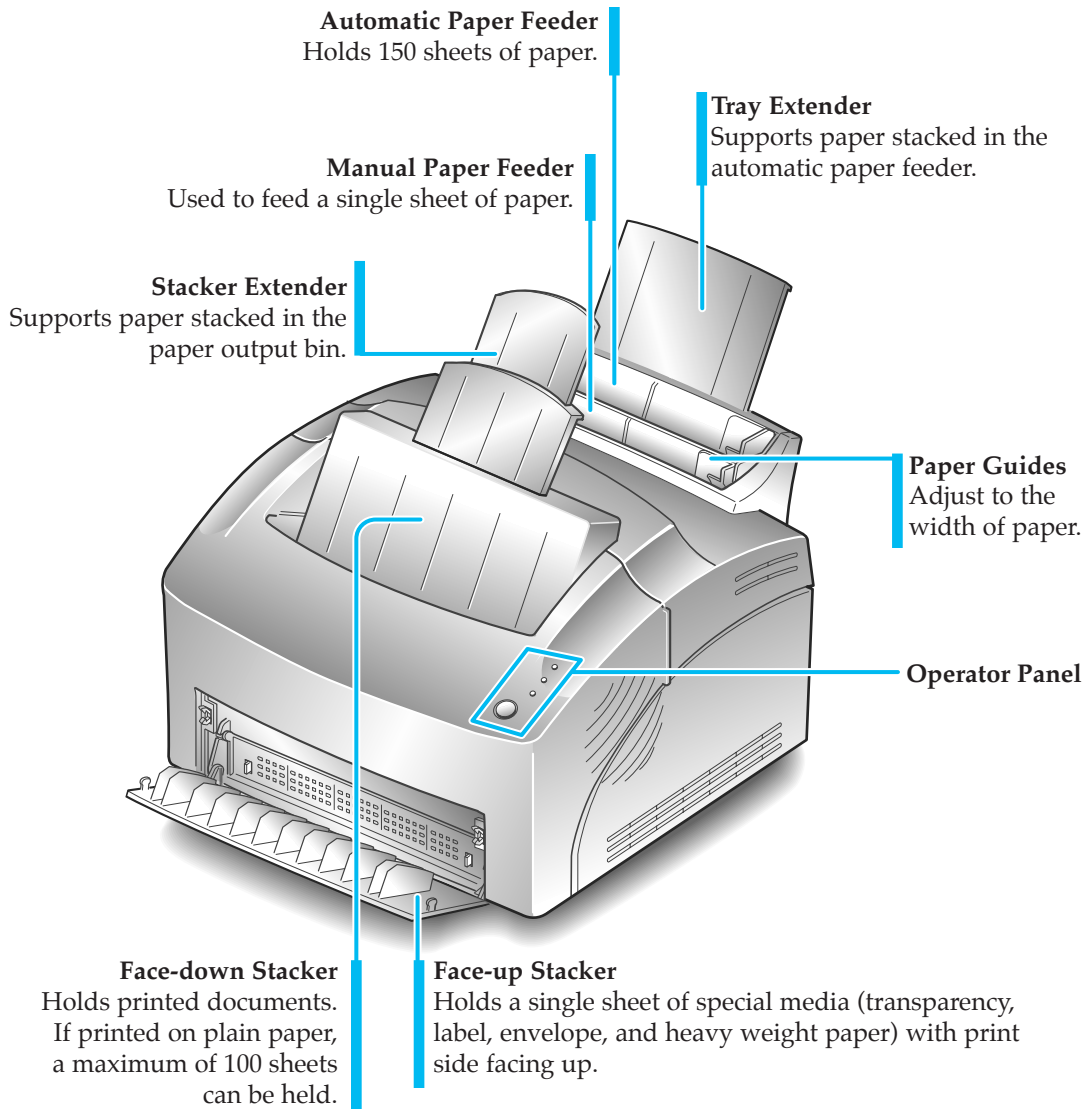
# Setup Guide

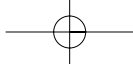




## Control Locations and Functions

### Front View



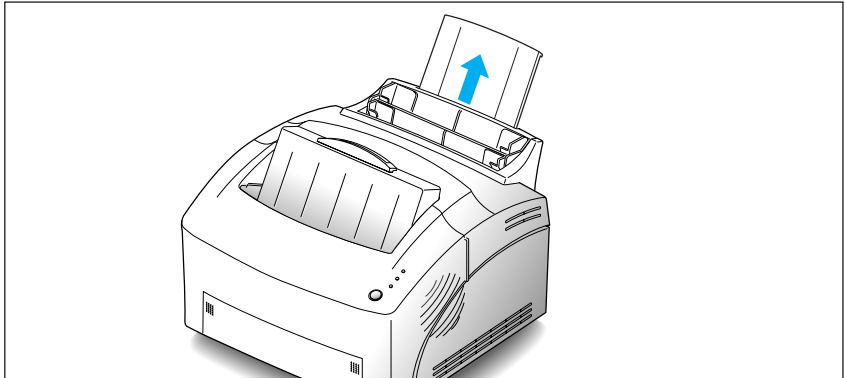


---

## Loading a Stack of Paper

For best results, use high quality 75g/m<sup>2</sup> (20 lb) xerographic paper.

- 1. Pull the extender on the automatic paper feeder up, until it stops.**

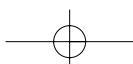
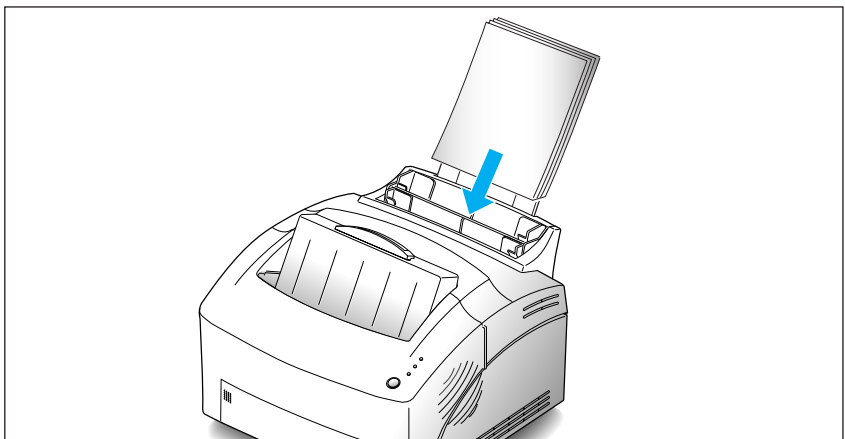


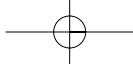
- 2. Before loading the paper, flex the sheets back and forth to loosen them, then fan them.** Tap the edges on a table top to straighten them. Doing this before you load paper helps prevent paper jams.

Don't load too much. This feeder holds up to 150 sheets.

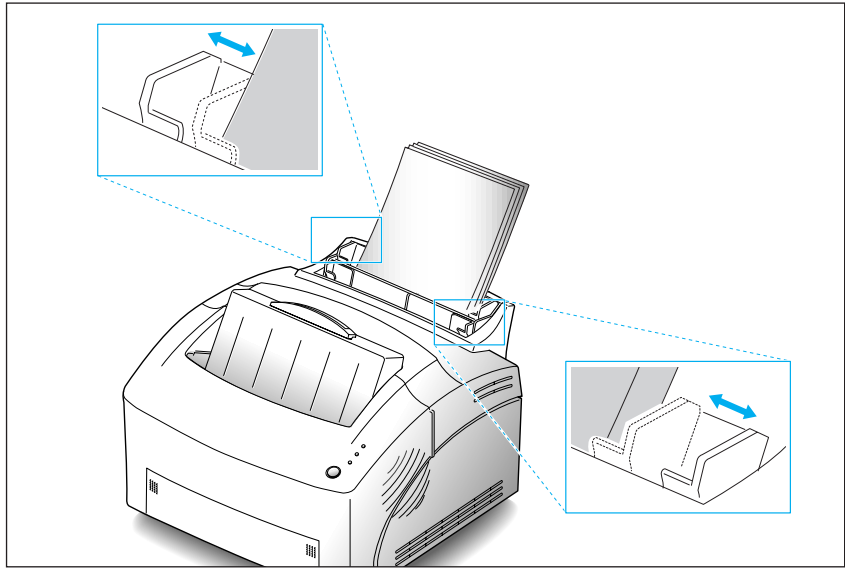
- 3. Insert the paper in the paper feeder.**

If the paper has a preferred print side, place the print side facing you. If you use letterhead paper, load the paper with the letter-head edge down and facing you.

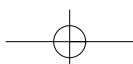
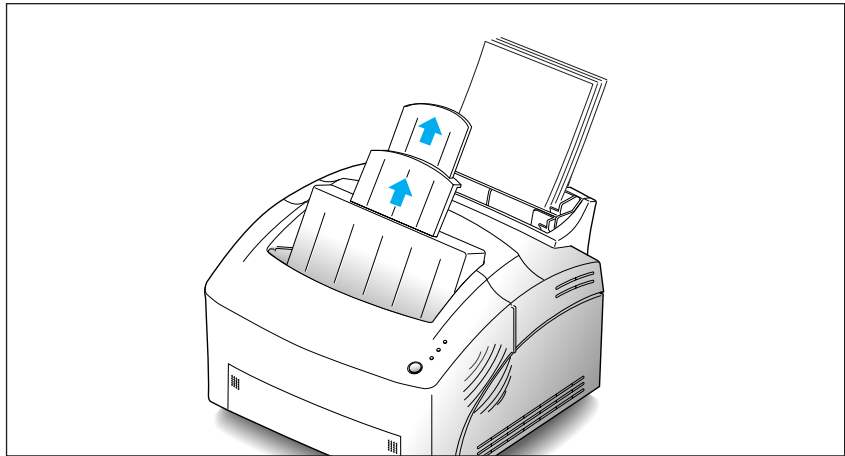


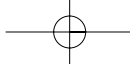


**4. Adjust the paper guides to the width of the paper.**



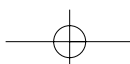
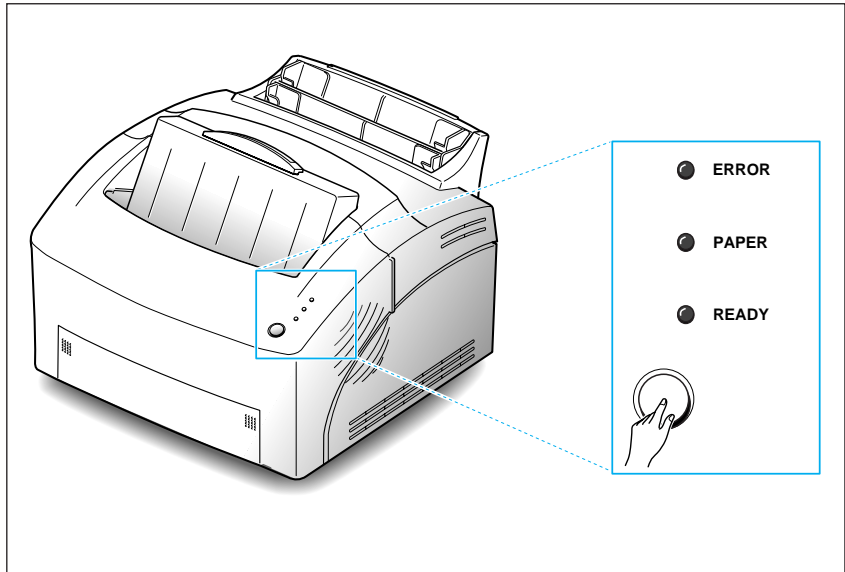
**5. Pull up the extender on the face-down stacker. The face-down stacker can hold up to 100 printed pages.**

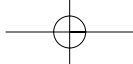




**6. ML-5000A users may want to print a self test to check that the printer is working properly.** A self test shows current printer configuration.

Make sure that the READY light is on. Press and hold the button for about 3 seconds. All the indicators blink. Release the button when each indicator starts to blink in turn. Wait until a self test page prints.





## Installing Printer Driver

### Windows 95/98/NT4.0 Installation

#### 1. Turn on the computer and start Windows.

If Windows 95/98 recognizes the new printer, go to the section "Windows 95/98 Plug and Play" on page 16.

#### 2. Insert the setup CD-ROM into your CD-ROM drive.

If Windows does not automatically run the CD-ROM, go to the section "If Windows Does Not Run the CD-ROM" on page 16.

#### 3. Click on the icon "Printer Set-up" to install the printer drivers.

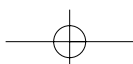


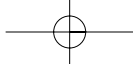
#### 4. Click the Item you want to install.



#### 5. Follow the instructions on the screen.

**Note :** WinNT and WinNTRCP item is supported under Windows NT4.0.





## Windows 95/98 Plug and Play

1. At the 'New Hardware Found' dialog box, click on the **OK** button.
2. Insert the setup CD-ROM into your CD-ROM drive.
3. Follow the instructions on the screen.

## If Windows Does Not Run the CD-ROM

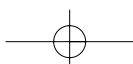
1. Select **RUN** from the **Start** menu.
2. Type **e:\print32.exe** on the command line ('e:\' is CD-ROM drive), then click **OK**.
3. Follow the instructions on the screen.

## Windows 3.1x Installation

1. Insert the CD-ROM disk into your CD-ROM drive.
2. From the Program Manager window, double-click **Main**, and **File Manager**
3. From the File Manager window, select your CD-ROM drive, execute **print16.exe**.



4. Click on the icon "**Printer Set-up**" to install the printer drivers.
5. Follow the instructions on the screen.



---

## Installing DOSRCP Utility

### For DOS Users

DOS users should install the Remote Control Panel utility to change print settings.

1. Insert the setup CD-ROM into your CD-ROM drive.

2. At the DOS prompt, type in:

```
c:\>XCOPY e:\Driver\English\DosUtil\*. * c:\DOSUTIL ↵  
(‘e:\’ is CD-ROM drive)  
<F=File, D=directory>?
```

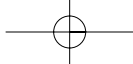
3. Specify directory:

```
<F=File, D=directory>? D.↵
```

4. To execute batch file, type in:

```
c:\DOSUTIL\ 5000A.BAT
```





---

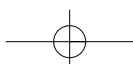
## Uninstall Printer Driver

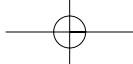
### In Windows 95/98

1. From the **Start** menu, select **Settings**, then **Printers**.
2. In the Printers windows, select **Samsung ML-5000A PCL5e**.
3. From the **File** menu, select **Delete**.

### In Windows 3.x

1. Double-click the **Control Panel** icon within the **Main** program group.
2. Double-click the **Printers** icon.
3. Select **Samsung ML-5000A PLC5e** from the **Installed Printers** list, then click the **Remove** button.



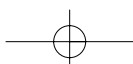


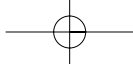
---

## Printing a Document

This procedure describes the general steps required for printing from various Windows applications. The exact steps for printing a document may vary depending on the application program you are using. Refer to your software application's documentation for the exact printing procedure.

1. **Start the program you are using to create the document, and open the document you want to print.**
2. **Choose Print or Print Setup from the File menu.**
3. **Make sure the correct printer is selected as your default printer.**
4. **Click on Properties, Setup or Options if you want to make any adjustments as appropriate for printing your document.**
5. **Select OK to close the Properties dialog box.**
6. **After making any necessary changes to the printing parameters, select OK to start the print job.**





---

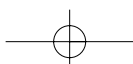
## Printing on Network Printer

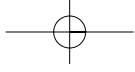
### Setting Up Host PC Printer

1. Start Windows.
2. Click **Start**, select **Control Panel**, and double-click on the **Network** icon.
3. Click **File and Print Sharing**, check box(es), then click **OK**. Close the window.
4. Click **Start** and select **Printers** from **Settings**, then double-click your printer name (**Samsung ML-5000A PCL5e**).
5. Select **Properties** in **Printer** menu.
6. Click the **Sharing** tab, then check **Shared As**, fill in the **Shared Name** field, and click **OK**.

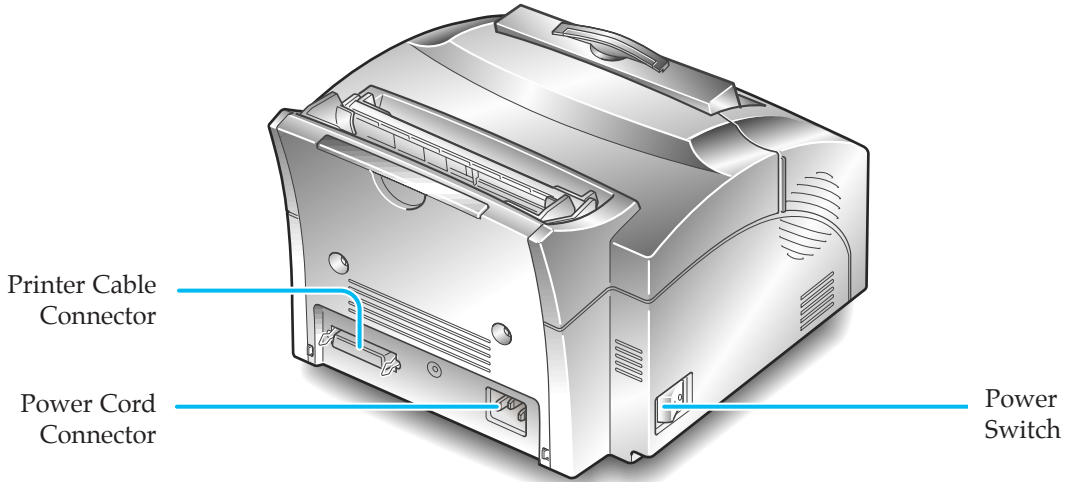
### Client PC Sharing Setup

1. Right-click the **Start** button, and select **Explore**.
2. Open your network folder in the left column.
3. Right-click the shared name, and select **Capture Printer Port**.
4. Select the port you want, click **Reconnect at log on** check box, the click **OK** button.
5. From the **Start** menu, select **Settings**, then **Printers**.
6. Double-click your printer icon (**Samsung ML-5000A PCL5e**).
7. From the **Printer** menu, select **Properties**.
8. Press the **Details** tab, select the printer port, then press **OK** button.

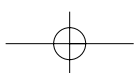
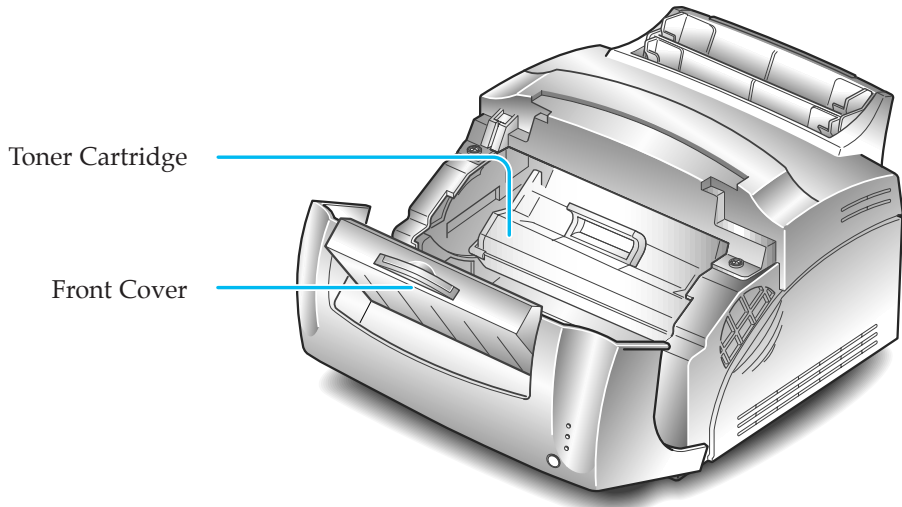


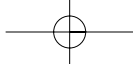


### Rear View



### Inside





---

## Selecting a Location

Place your printer on a flat, stable surface near your workstation. Leave enough space around the printer, so that you can easily:

- open the printer cover
- load the paper
- retrieve the paper
- open the front output tray and retrieve the paper from the front output tray
- allow air circulation around the vents to prevent the printer from overheating

### Do not place the printer:

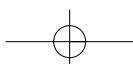
- In direct sunlight
- Near heat sources or air conditioners
- In dusty or dirty environments

---

## System Requirement

Before you start, make sure you have the following computer setup. (These are the minimum requirements.)

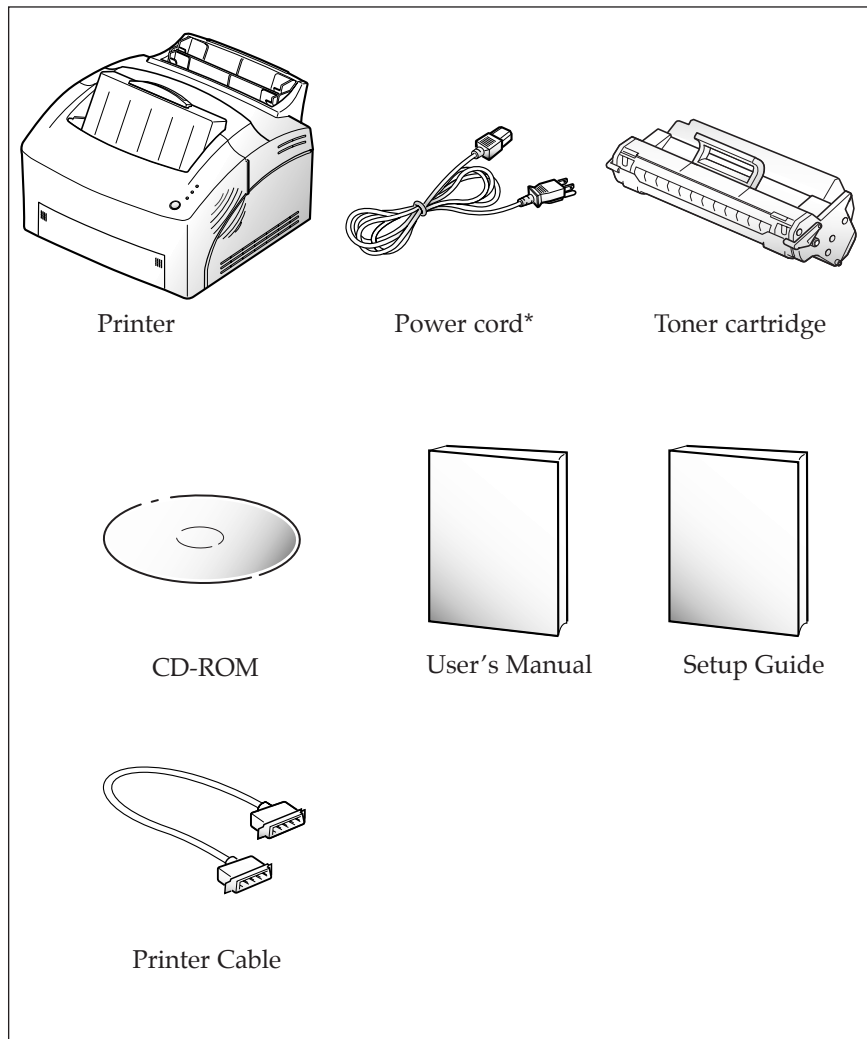
- IBM or compatible with a 386 or higher processor
- Windows 95, Windows 98, Windows 3.x, or later
- 50 MB of available hard disk space for ML-5000A
- 4 MB of RAM for ML-5000A
- Centronics-compatible parallel cable (IEEE 1284-compliant)



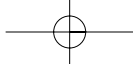
## Unpacking

Remove the printer and all accessories from the packing carton. Save the carton and packing materials in case you need to repack the printer.

Make sure you have the following items:

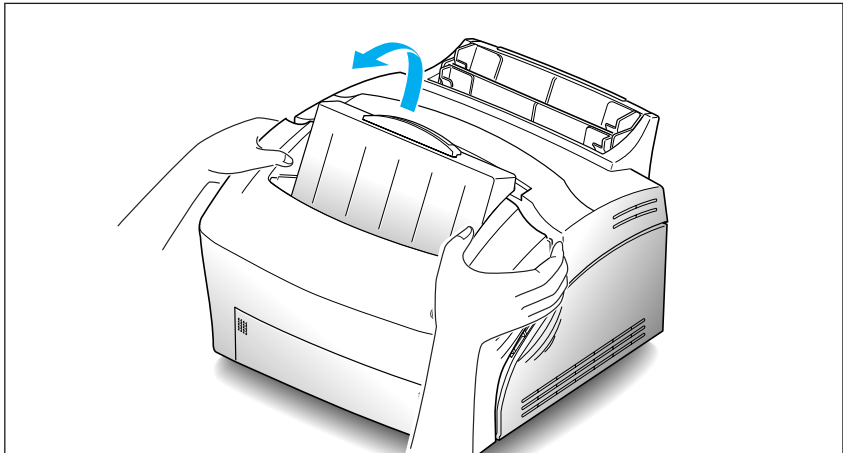


*\* The cord may look different. The appearance varies according to country.*

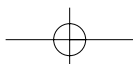
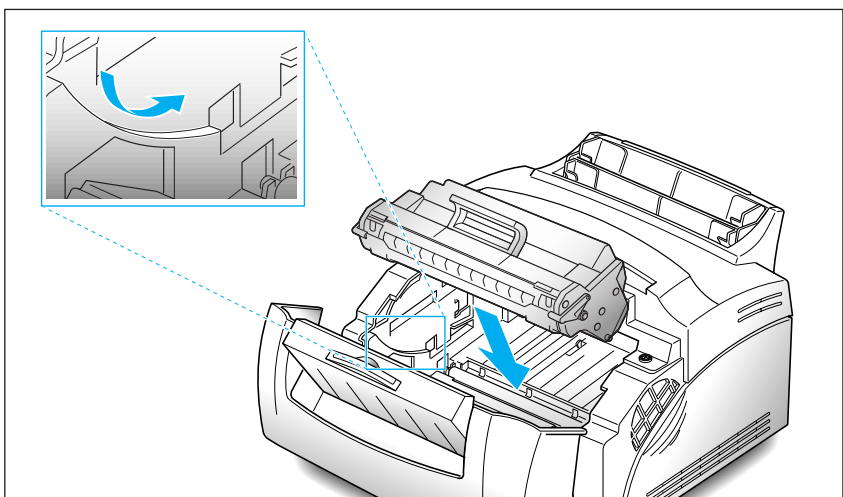


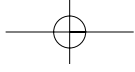
## Installing the Toner Cartridge

1. To open the printer cover, hold the cover using both hands and pull it toward you.

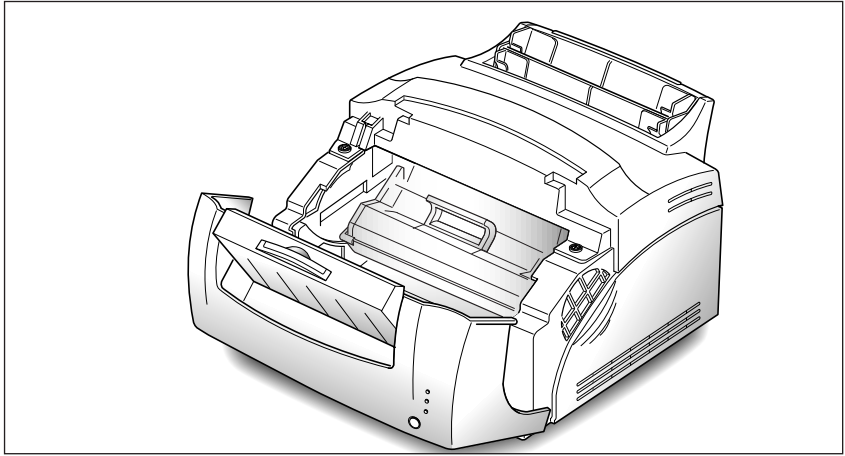


2. Unpack the Toner Cartridge. Carefully remove the sealing tape.
3. Rock the Cartridge 5 or 6 times to distribute the toner.
4. Find the cartridge slots inside the printer, one on each side.

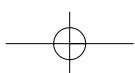




**5. Grasp the handle and slide the Cartridge down between the toner cartridge slots, until it drops into place.**



**6. Close the cover.**

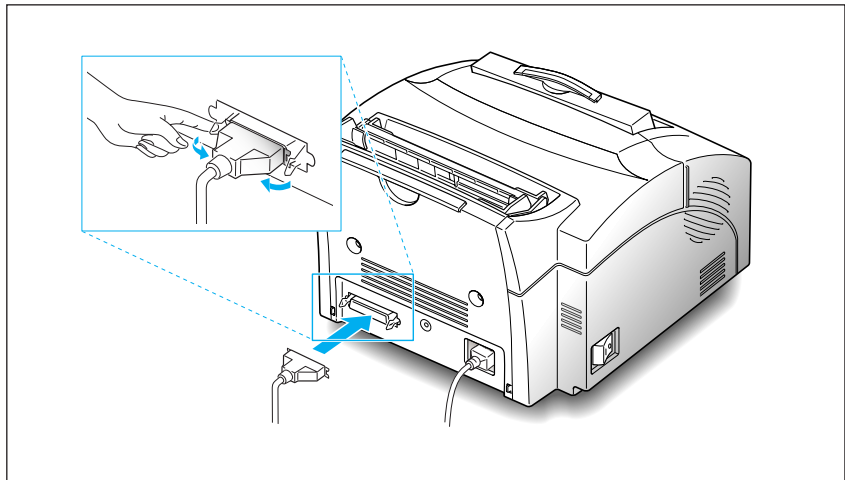




---

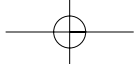
## Connecting the Printer to Your Computer

1. **Plug the parallel interface cable into the connector on the back of the printer.** Push the clips at each end of the connector into the notches on the printer cable. The clips snap when pushed into the notches.



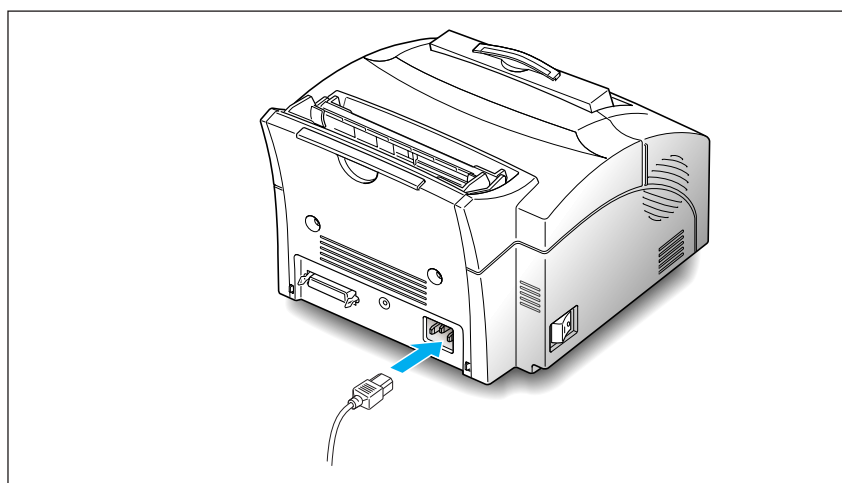
2. **Attach the other end of the parallel cable to your computer.**

*Note:* Make sure the printer power is off when you connect it to the computer.

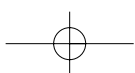
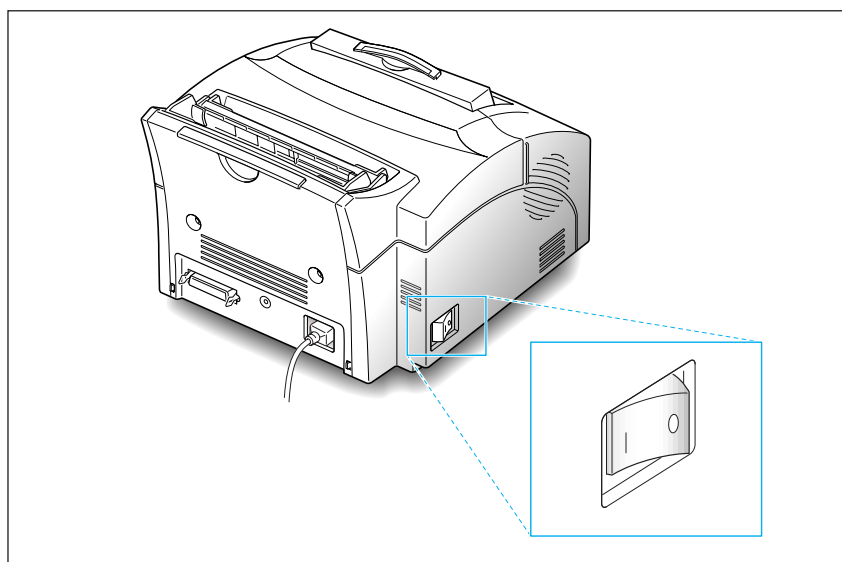


## Attaching the Power Cord

1. Plug one end of the power cord into the connector at the back of the printer, and the other end into a wall outlet.



2. Turn on the printer.



## Using Your Documentation

The following documentation is supplied to help you use your new Samsung laser printer.

### Setup Guide

This manual describes how to unpack, set up, and start using your printer, including how to install the printer driver, which you must install to use the printer.

### User's Manual

This manual offers detailed information on how to operate your printer. It includes maintenance, troubleshooting, options, and specifications.

This manual is provided for information purposes only. All information included herein is subject to change without notice. Samsung Electronics is not responsible for any damages, direct or indirect, arising from or related to use of this manual.

© 1999 Samsung Electronics Co. Ltd. All rights reserved.

- ML-5000A and Samsung logo are trademarks of Samsung Electronics Co. Ltd.
- Centronics is a registered trademark of Centronics Data Computer Corporation.
- PCL is a registered trademark of Hewlett-Packard Company.
- IBM, IBM PC are registered trademarks of International Business Machines Corporation.
- True Type is a registered trademark of Apple Computer, inc.
- Microsoft, MS-windows, MS-DOS are registered trademarks of Microsoft Corporation.
- All other brand or product names are trademarks or registered trademarks of their respective companies or organizations.

---

## Contents

<b>Control Locations and Functions</b>	4
Front View	4
Rear View	5
Inside	5
<b>Selecting a Location</b>	6
<b>System Requirement</b>	6
<b>Unpacking</b>	7
<b>Installing the Toner Cartridge</b>	8
<b>Connecting the Printer to Your Computer</b>	10
<b>Attaching the Power Cord</b>	11
<b>Loading a Stack of Paper</b>	12
<b>Installing Printer Driver</b>	15
Windows 95/98/NT4.0 Installation	15
Windows 95/98 Plug and Play	16
If Windows Does Not Run the CD-ROM	16
Windows 3.1x Installation	16
<b>Installing DOSRCP Utility</b>	17
For DOS Users	17
<b>Uninstall Printer Driver</b>	18
In Windows 95/98	18
In Windows 3.x	18
<b>Printing a Document</b>	19
<b>Printing on Network Printer</b>	20
Setting Up Host PC Printer	20
Client PC Sharing Setup	20

---

