

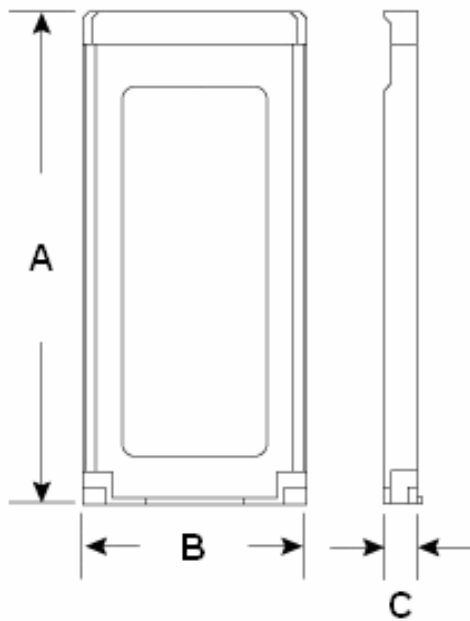
TS8GSSD34E-M TS16GSSD34E-M TS32GSSD34E-M

8GB~32GB ExpressCard34 SSD

Description

The ExpressCard™ SSD (Solid State Disk) is small in size, has a huge capacity and low power consumption making it perfect for use as a mobile storage solution in notebook computer with ExpressCard™ slot.

Outline



Dimensions

Side	Millimeters	Inches
A	75.00 ± 1.00	2.95 ± 0.04
B	34.00 ± 1.00	1.34 ± 0.04
C	5.00 ± 1.00	0.20 ± 0.04

Features

- RoHS compliant products
- High-speed USB 2.0 specification, True Plug and Play functionality
- Fully compatible with ExpressCard™ standards and Operating Systems (OS) that support the USB standard
- Non-volatile Flash Memory for outstanding data retention
- Built-in ECC (Error Correction Code) functionality and wear-leveling algorithm ensures highly reliable of data transfer
- Compatible with Windows Vista and supports ReadyBoost function
- Low Power Consumption
- Shock resistance

System Requirement

- Hardware: An available ExpressCard™ slot on desktop or notebook computer
- Operating System: Windows® 2000, Windows® XP, Windows® Vista, Mac™ OS 10.4 or later, and Linux™ Kernel 2.4 or later

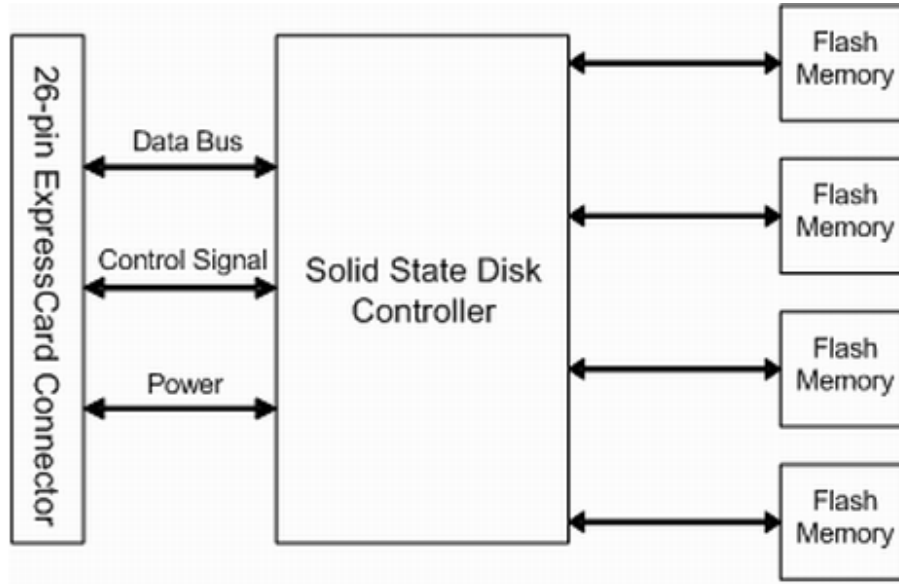
Order Information

Transcend P/N	Capacity
TS8GSSD34E-M	8GB
TS16GSSD34E-M	16GB
TS32GSSD34E-M	32GB

TS8GSSD34E-M
TS16GSSD34E-M
TS32GSSD34E-M

8GB~32GB ExpressCard34 SSD

Block Diagram



TS8GSSD34E-M TS16GSSD34E-M TS32GSSD34E-M

8GB~32GB ExpressCard34 SSD

Pinouts

Pin No.	Pin Name
01	GND
02	USB D-
03	USB D+
04	GND
05	NC
06	NC
07	NC
08	NC
09	NC
10	NC
11	NC
12	NC
13	NC
14	3.3V
15	3.3V
16	NC
17	NC
18	NC
19	NC
20	GND
21	NC
22	NC
23	GND
24	NC
25	NC
26	GND

Pin Identification

Symbol	Function
USB D+	USB serial data interface
USB D-	
3.3V	Primary voltage source
GND	Ground
NC	No connect

TS8GSSD34E-M
TS16GSSD34E-M
TS32GSSD34E-M

8GB~32GB ExpressCard34 SSD

Specifications

Physical Specification		
Form Factor	ExpressCard/34	
Storage Capacities	8 GB to 32 GB	
Dimensions (mm)	Length	75.00 ± 0.10
	Width	34.00 ± 0.10
	Height	5.00 ± 0.10
Input Voltage	3.3V ± 5%	
Weight	19 g	
Connector	26-Pin ExpressCard connector	

Environmental Specifications	
Operating Temperature	0 °C to 70 °C
Storage Temperature	- 40 °C to 85 °C

Power Requirements			
Input Voltage	3.3V ± 5%		
Mode		TYP (mA)	TYP (W)
Power Consumption (DC 3.3V @25°C)	Write	318.9	1.1
	Read	166.4	0.5
	Idle	100.8	0.3

Reliability	
Data Reliability	Supports BCH ECC 8 bits in 512 bytes
Data Retention	10 years
MTBF	1,000,000 hours

Interface Specification	
Interface	ExpressCard (USB 2.0)

TS8GSSD34E-M TS16GSSD34E-M TS32GSSD34E-M

8GB~32GB ExpressCard34 SSD

Performance		
Model P/N	Sequential Read	Sequential Write
TS8GSSD34E-M	34 MB/s	21 MB/s
TS16GSSD34E-M	34 MB/s	21 MB/s
TS32GSSD34E-M	35 MB/s	25 MB/s

Regulations	
Compliance	CE, FCC and BSMI

Reliability

Wear-Leveling algorithm

The controller supports static/dynamic wear leveling. When the host writes data, the controller will find and use the block with the lowest erase count among the free blocks. This is known as dynamic wear leveling. When the free blocks' erase count is higher than the data blocks', it will activate the static wear leveling, replacing the not so frequently used user blocks with the high erase count free blocks.

ECC algorithm

The controller use BCH8 ECC algorithm per 512 bytes. BCH8 can correct up to 8 random error bits within 512 data bytes.

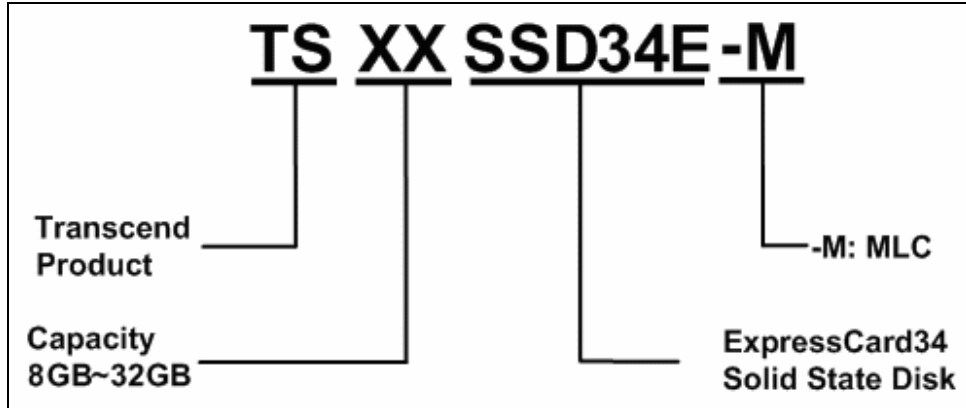
Bad-block management

When the flash encounters ECC failed, program fail or erase fail, the controller will mark the block as bad block to prevent the used of this block and caused data lost later on.

TS8GSSD34E-M
TS16GSSD34E-M
TS32GSSD34E-M

8GB~32GB ExpressCard34 SSD

Ordering Information



Above technical information is based on industry standard data and tested to be reliable. However, Transcend makes no warranty, either expressed or implied, as to its accuracy and assumes no liability in connection with the use of this product. Transcend reserves the right to make changes in specifications at any time without prior notice.

Transcend
Exceeding Your Expectations

TAIWAN

No.70, XingZhong Rd., NeiHu Dist., Taipei, Taiwan, R.O.C
TEL +886-2-2792-8000
Fax +886-2-2793-2222
E-mail: sales@transcend.com.tw
www.transcend.com.tw

USA

Los Angeles:

E-mail: sales@transcendusa.com

Maryland:

E-mail: sales_md@transcendusa.com

www.transcendusa.com

CHINA

E-mail: sales@transcendchina.com

www.transcendchina.com

GERMANY

E-mail: vertrieb@transcend.de

www.transcend.de

HONG KONG

E-mail: sales@transcend.com.hk

www.transcendchina.com

JAPAN

E-mail: sales@transcend.co.jp

www.transcend.jp

THE NETHERLANDS

E-mail: sales@transcend.nl

www.transcend.nl

United Kingdom

E-mail: sales@transcend-uk.com

www.transcend-uk.com

KOREA

E-mail: sales@transcend.kr

www.transcend.co.kr