

# JENSEN®

CD-470

AM/FM STEREO COMPACT DISC PLAYER



INSTRUCTION MANUAL

PLEASE READ THIS INSTRUCTION MANUAL CAREFULLY  
BEFORE USING THE UNIT AND RETAIN IT FOR FUTURE REFERENCE

## CAUTION

### CLASS 1 LASER PRODUCT

CLASS 1 LASER PRODUCT  
APPAREIL LASER DE CLASSE 1  
PRODUCTO LASER DE CLASE 1

CAUTION  
INVISIBLE LASER RADIATION  
WHEN OPEN AND INTERLOCKS  
DEFEATED.  
AVOID EXPOSURE TO BEAM



This product contains a low power laser device.

Follow the advice below for safe operations.

#### ON PROTECTION AGAINST LASER ENERGY EXPOSURE

- As the laser beam used in this compact disc player is harmful to the eyes, do not attempt to disassemble the casing.
- Stop operation immediately if any liquid or solid object should fall into the cabinet.
- Do not touch the lens or poke at it. If you do, you may damage the lens and the player may not operate properly.
- Do not put anything in the safety slot. If you do, the laser diode will be ON when the CD door is still open.
- If the unit is not to be used for a long period of time, make sure that all power sources are disconnected from the unit. Remove all batteries from the battery compartment, and unplug the AC-DC adaptor from the wall outlet. Make it a practice to remove the AC-DC adaptor by grasping the plug and not by pulling the cord.
- This unit employs a laser. The use of controls or adjustment or performance of procedures other than those specified here may result in exposure to hazardous radiation.

#### ON PLACEMENT

- Do not use the unit in places, which are extremely hot, cold, dusty or humid.
- Place the unit on a flat and even surface.
- Do not restrict the airflow of the unit by placing it in a place with poor ventilation, by covering it with a cloth or by placing it on a carpet.

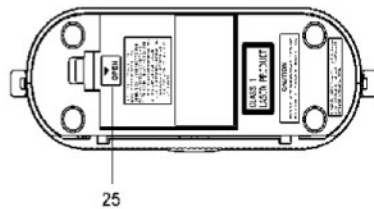
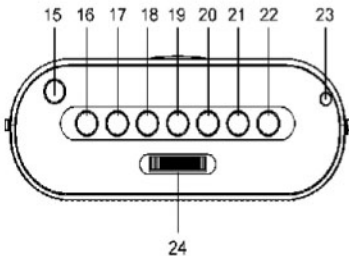
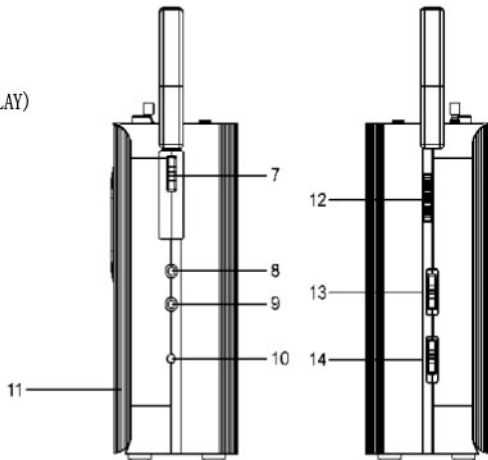
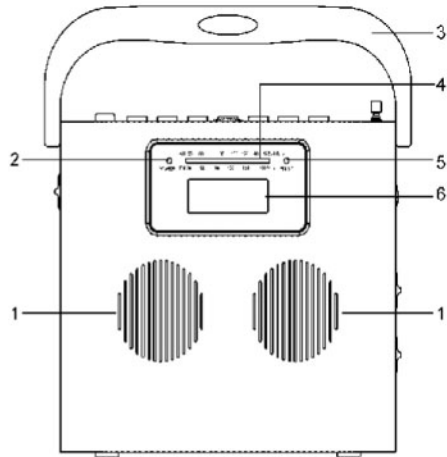
#### ON CONDENSATION

- When left in a heated room where it is warm and damp, water droplets or condensation may form inside the unit.
- When there is condensation inside the unit, the unit may not function normally.
- Let the unit stand for 1 to 2 hours before turning the power on, or gradually heat the room up and dry the unit before use.

Should any trouble occur, remove the AC adaptor and refer servicing to qualified personnel.

## LOCATION OF CONTROLS

1. BUILT-IN SPEAKER
2. POWER INDICATOR
3. HANDLE
4. DIAL SCALE
5. FM STEREO INDICATOR
6. LCD DISPLAY
7. POWER ON / OFF SWITCH
8. AUX IN JACK
9. PHONE JACK
10. DC INPUT JACK
11. CD DOOR (ON BACK)
12. VOLUME CONTROL
13. FUNCTION SWITCH (CD, RADIO, AUX IN)
14. BAND SWITCH (AM / FM / FM ST.)
15. CD DOOR OPEN BUTTON
16. PROGRAM BUTTON
17. REPEAT BUTTON
18. SHUFFLE BUTTON (RANDOM PLAY)
19. STOP BUTTON
20. FAST REVERSE BUTTON
21. FAST FORWARD BUTTON
22. PLAY / PAUSE BUTTON
23. FM TELESCOPIC ANTENNA
24. TUNING BUTTON
25. BATTERY COMPARTMENT



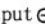
## POWER SOURCES

### BATTERY OPERATION

1. Set the POWER ON/OFF switch to the OFF position.
2. Remove the cover from the battery compartment on the bottom of the unit.
3. Follow the polarity diagram inside the compartment and insert 4 x "C" size batteries (LR14, UM-2). Heavy duty alkaline batteries are recommended.
4. Re-attach the battery cover and be sure it locks into position .

Note: In order to operate the unit on batteries, the AC/DC adaptor(not included) must be disconnected from the DC 6V jack.

### AC/DC ADAPTOR OPERATION

This unit will also operate using an AC/DC adaptor (not included) with 6V DC/ 700 mA output . Before connecting the adaptor, set the POWER ON/OFF switch to the OFF position.

1. Insert the DC plug of the AC/DC adaptor into the DC jack on the left side of the unit.
2. Plug the AC/DC adaptor into a convenient standard 120VAC/60Hz wall outlet.

## LISTENING TO THE RADIO

### RADIO OPERATION

1. Set the volume control to a low level.
2. Set the CD/RADIO/AUX IN switch to RADIO position. Set the desired radio band with the AM/FM/FM ST switch.
3. Set the POWER ON / OFF switch to the ON position and the power LED will turn on.
4. Tune in a desired station by tuning the TUNING knob, when a FM stereo program is being received, the " FM ST " LED will turn on.  
\*If the FM station signal is weak and there is a large amount of noise (hiss), set the AM/FM/FM ST switch to FM position to select FM MONO mode, the " FM ST " LED will turn off. Although the sound effect is not better than FM STEREO mode, the background become quiet.
5. For best FM reception, pull out and extend the FM antenna to obtain the best reception. For best AM reception, rotate the unit horizontally to obtain the best reception.
6. Adjust the VOLUME CONTROL for your desired listening level.
7. To turn off the radio, set the POWER ON/OFF switch to OFF position, the power LED will turn off.



# DISC PLAYING

## GETTING STARTED

1. Set the VOLUME control to low level.
2. Press the CD door open button to open the CD compartment.
3. Place a disc onto the spindle inside the CD compartment with label side in front.
4. Close the CD door.
5. Set the CD / RADIO / AUX IN switch to CD position.
6. Set the power ON / OFF switch to ON position to turn on the power, the power LED will turn on.
7. After the disc is read, the display will show the total track numbers and then the disc will stop.
8. Press the PLAY / PAUSE button once, the disc will start playing from the beginning.
9. Adjust the VOLUME to desired level.
10. To turn off the CD function, press STOP to stop the playback and set the POWER ON / OFF switch to OFF position, the power LED will turn off.

## GENERAL OPERATION

### Play / Pause Button

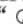
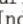
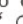
Press once to start playback in the original order. The "" will show on the display. Press again to stop the disc play temporarily. The "" will flash.

### FR/FF-Skip/Search Buttons

Press once to skip to next track  or back to previous track .

Press continuously to search forward  or backward .

## Repeat Button

1. During play mode, press once to play a track repeatedly. The Repeat Indicator, "", will appear and flash in the Display.
2. During play mode, press twice to play the entire disc repeatedly. The Repeat Indicator, "", will be shown steadily in the Display.
3. To cancel the repeat function, press repeatedly until the Repeat Indicator, "" disappears in the Display.

## SHUF - Shuffle Button ( For Random Play)

1. Press the SHUF button once, the SHUF will show on the display.
2. Press the PLAY/PAUSE button ( if in stop mode) , all tracks on the disc will be played in random sequence, after all the tracks have been played, the disc will stop automatically.

## Stop Button

Press once to stop playback.

## PROG-Program play

1. In stop mode, press the PROG button once, the display will show "PGM 01" then change to "PGM 00" and flash, "01" means program number, "00" means track number. (Press the STOP button to cancel)

2. Press **◀◀** or **▶▶** button to select the desired track.
3. Press PROG button again to enter the track into memory, the display will show "PGM 02" then change to "PGM 00", "02" means the program number increase one step.
4. Repeat step 2 & 3 to program the order of more tracks up to 20 tracks can be programmed into memory.
5. Press PLAY/PAUSE button **▶||** to start the program play.
6. To stop the program play, press the STOP button.
7. For program play in step "6", press the PROG button & **▶||** button.
8. To check the program memory, in program play mode, press the **▶▶** or **◀◀** button. Or in stop mode, press the PROG button repeatedly, the display will show the program number then quickly change to track number.
9. To erase the program memory, open the door or turn off the power.

## AUX IN OPERATION

You can play other music sources (MP3 player or other digital audio player) through the speakers of this unit by connecting the AUX IN JACK to your external players LINE OUT JACK or HEADPHONE JACK.

1. Set the POWER ON/OFF switch to OFF position, set the volume to low level.
2. Use an audio cable with two terminals that are 3.5mm plug (not supplied), plug one end into the AUX IN JACK and the other end to the LINE OUT / HEADPHONE JACK of your digital audio player.
3. Set the CD/RADIO/AUX IN switch to AUX IN position.
4. Set the POWER ON/OFF switch to ON position to turn on the power, the power LED will turn on.
5. Play your digital audio player
6. Adjust the VOLUME CONTROL for your desired listening level.
7. To turn OFF the AUX IN function, set the POWER ON/OFF switch to OFF position, the power LED will turn off .

## HEADPHONE JACK

You can use a earphone / headphone to listen to music.

1. Adjust the volume to low level.
2. Insert a earphone / headphone into this jack.
3. Adjust the volume to your desired level.  
\*The speaker sound will cut off when you insert a earphone / headphone into this jack.

## MAINTENANCE

Cleaning the Lens

If the lens becomes dusty, clean it with a camera lens blower. Be careful not to scratch the surface of the lens.

Cleaning the Cabinet

From time to time, clean the cabinet with a soft dry cloth. For more stubborn stains, Slightly moisten the cloth with water or a mild detergent solution. Never use benzene, alcohol or other solvents as they may damage the finish of the cabinet.

## SPECIFICATIONS

Power Supply : AC-DC adaptor : 6V 700mA polarity  $\ominus \text{---} \bullet \text{---} \oplus$  (not included)  
Batteries UM-2 or "C" size X 4 (6V) (not included)

Power Consumption : 8W (MAX)

Output Power : 0.5W x 2 (RMS) 10% THD

### <RADIO SECTION>

Freq. Range : AM : 535 - 1705kHz

FM : 88 - 108 MHz

Antennas : AM : BUILT-IN Ferrite Bar

FM : ROD ANTENNA

### <AUX IN SECTION>

Sensitivity : 300mV

Input impedance :  $\geq 20$  KOHM

### <CD SECTION>

Tracking System : 3-Beam Laser

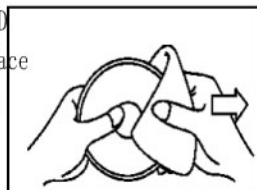
Laser Pick Up : Semiconductor Laser

D/A Conversion : 8Times Over Sampling Digital Filter, 1 Bit DAC

Dimensions : 172(W) x 150(H) x 64(D) mm

## CARE AND MAINTENANCE

1. Clean the unit with a soft, damp (never wet) cloth. Solvent or detergent should never be used.
2. Avoid operating your unit under direct sunlight or in hot, humid or dusty places.
3. Keep your unit away from heating appliances and sources of electrical noise such as fluorescent lamps or motors.
4. For better Clock Display clarity, avoid operating the unit under direct sunlight or in strong room illumination.
5. If drop-outs or interruptions occur in the music during CD play, or if the CD fails to play at all, its bottom surface may require cleaning. Before playing, wipe the disc from the center outwards with a good soft cleaning cloth.



## TROUBLESHOOTING GUIDE

### Cleaning the Disc

When a disc becomes dirty, clean it with a clean cloth. Wipe the disc from the center out.

Note - Do not use solvents such as benzine, thinner, commercially available cleaners or anti-static spray intended for analogue discs.

\*\* Should you experience difficulties in the use of this player please refer to the following chart before contacting your dealer or the place of purchase.

Troubleshooting Guide	
Problem	Points to check
Player fails to function	The disc may be inserted upside down. The disc not mounted correctly on the chuck. Dirty or a defective disc. Dirty pick up lens. CD door not closed. Moisture condensation, allow the player to warm up to room temperature for 60 minutes. AC Power to an adaptor switched off. Weak batteries.
No sound from Earphones	Earphones' plug is not firmly inserted into the phones socket.
No sound when played through an external amplifier	Connection is incorrect. power to an external amplifier not switched on.
Intermittent Sound	Dirty or defective disc. Dirty pick up lens. The player is subject to excessive vibration or shock. low battery power. Poor Earphone connection.

## SERVICE

Please refer to the instructions on the enclosed warranty card for returning your unit For service. When returning the unit, please remove batteries to prevent damage to the unit in transit and/or from possible battery leakage. We are not responsible for batteries turned with the product or for the cost of replacement.

Distributed by:

Spectra Merchandising International, Inc.

Chicago Industry Tech Park,

4230 North Normandy Avenue,

Chicago, IL 60634, U. S. A.

Please have model number ready, for Customer Service,

call : 1 - 800 - 777 - 5331