

Dell™ PowerVault™ 500 Systems

# Getting Started With Your System

Guide de mise en route

Primeiros passos com o sistema

Procedimientos iniciales con el sistema





Dell™ PowerVault™ 500 Systems

# Getting Started With Your System

Model EMS01



# Notes, Notices, and Cautions



**NOTE:** A NOTE indicates important information that helps you make better use of your system.



**NOTICE:** A NOTICE indicates either potential damage to hardware or loss of data and tells you how to avoid the problem.



**CAUTION:** A CAUTION indicates a potential for property damage, personal injury, or death.

---

**Information in this document is subject to change without notice.**

**© 2007 Dell Inc. All rights reserved.**

Reproduction in any manner whatsoever without the written permission of Dell Inc. is strictly forbidden.

Trademarks used in this text: *Dell*, the *DELL* logo, and *PowerVault* are trademarks of Dell Inc.; *Intel* and *Xeon* are registered trademarks of Intel Corporation in the U. S. and other countries; *Microsoft*, *Windows*, and *Windows Server* are either trademarks or registered trademarks of Microsoft Corporation in the United States and/or other countries.

Other trademarks and trade names may be used in this document to refer to either the entities claiming the marks and names or their products. Dell Inc. disclaims any proprietary interest in trademarks and trade names other than its own.

Model EMS01

November 2007

P/N YX154

Rev. A00

# Contents

<b>System Features</b> . . . . .	<b>5</b>
<b>Supported Operating Systems</b> . . . . .	<b>7</b>
<b>Other Information You May Need</b> . . . . .	<b>7</b>
<b>Obtaining Technical Assistance</b> . . . . .	<b>7</b>
<b>Installation and Configuration</b> . . . . .	<b>8</b>
Install the Rails and System in a Rack . . . . .	8
Connect the Keyboard, Mouse, and Monitor . . . . .	9
Connect the Power . . . . .	10
Install the Power Cord Retention Bracket . . . . .	11
Turn on the System . . . . .	12
Install the Bezel . . . . .	12
<b>Complete the Operating System Setup</b> . . . . .	<b>13</b>
<b>Technical Specifications</b> . . . . .	<b>13</b>



# System Features

The major hardware and software features of your system include:

- One or two Dual-Core Intel® Xeon® Processors 5000 Sequence.
- Support for symmetric multiprocessing (SMP), which is available on systems with two Intel Xeon processors. SMP greatly improves overall system performance by dividing processor operations between independent processors. To take advantage of this feature, you must use an operating system that supports multiprocessing.



**NOTE:** If you decide to upgrade your system by installing a second processor, you must order the processor upgrade kits from Dell™. Not all versions of the Intel Xeon processor will work properly as additional processors. The upgrade kit from Dell contains the correct version of the processor, heat sink, and fan as well as the instructions for performing the upgrade.

- A minimum of 512 MB of 533- or 667- MHz (when available), Fully Buffered DIMMs (FBD), upgradable to a maximum of 32 GB by installing combinations of 256-MB, 512-MB, 1-GB, 2-GB, or 4-GB memory modules in the eight memory module sockets on the system board.

The system also features redundant memory, which provides memory sparing or memory mirroring. Either feature is available if eight identical memory modules are installed.

- Support for up to six 3.5-inch, internal hot-pluggable Serial Attached SCSI (SAS) or SATA hard drives without optional media bay, or up to four 3.5-inch internal hot-pluggable SAS or SATA hard drives with optional media bay.
- The optional media bay (available only with the 3.5-inch x4 backplane configurations) provides support for an optional half-height tape backup unit (TBU) and an optional single, 1.44-MB, 3.5-inch diskette drive.
- An optional slim-line IDE CD, DVD, or combination CD-RW/DVD drive.



**NOTE:** DVD devices are data only.

- A chassis intrusion switch that signals the appropriate systems management software if the top cover is opened.
- Up to two hot-pluggable, 750-W power supplies in an optional 1 + 1 redundant configuration.
- Four hot-pluggable system cooling fans.

The system board includes the following features:

- One of the following left riser card options:
  - A left riser card that has one full-length PCIe x8 lane slot and one full-length PCIe x4 lane slot.
- OR
- A left riser card that has two full-length PCI-X 3.3-V, 64-bit, 133-MHz slots on separate PCI-X buses (capable of throttling back to support legacy PCI add-in cards).
- A center riser card that has one half-length PCIe x8 lane slot.
- Dedicated slot for an integrated SAS host bus adapter or an optional RAID controller card with 256 MB of cache memory and a RAID battery. The internal channel supports up to six 3.5-inch SATA hard drives.



**NOTE:** System boot is not supported from an external device attached to a SAS or SCSI adapter, including SAS 5/E, PERC 5/E, or PERC 4e/DC. See [support.dell.com](http://support.dell.com) for the latest support information about booting from external devices.

- Two integrated Gigabit Ethernet NICs, capable of supporting 10-Mbps, 100-Mbps, and 1000-Mbps data rates.
- Four USB 2.0-compliant connectors (two on the front and two on the back) capable of supporting a diskette drive, a CD-ROM drive, a keyboard, a mouse, or a USB flash drive.
- Optional remote access controller (RAC) for remote systems management.
- An integrated VGA-compatible video subsystem with an ATI ES1000, 33-MHz PCI video controller. This video subsystem contains 16 MB of DDR SDRAM video memory (nonupgradable). Maximum resolution is 1600 x 1200 with 64 K colors; true-color graphics are supported in the following resolutions: 640 x 480, 800 x 600, 1024 x 768, 1152 x 864, and 1280 x 1024. When the optional RAC is installed, the video resolution is 1280 X 1024.
- Systems management circuitry that monitors operation of the system fans as well as critical system voltages and temperatures. The systems management circuitry works in conjunction with the systems management software.
- Standard baseboard management controller with serial access.
- Back-panel connectors include one serial, one video, two USB, and two NIC connectors.



- Front-panel connectors include a video and two USB connectors.
- Front-panel 1x5 LCD for system ID and error messaging.
- System ID button on the front and back panels.

For more information about specific features, see "Technical Specifications" on page 13.

## Supported Operating Systems

- Microsoft® Windows® Storage Server 2003 R2 Workgroup, Standard, and Enterprise x64 Editions with SP2

## Other Information You May Need



**CAUTION: The *Product Information Guide* provides important safety and regulatory information. Warranty information may be included within this document or as a separate document.**

- The *Rack Installation Instructions* or *Rack Installation Guide* included with your rack solution describes how to install your system into a rack.
- The *Hardware Owner's Manual* provides information about system features and describes how to troubleshoot the system and install or replace system components. This document may be found on the CDs that came with your system, or on [support.dell.com](http://support.dell.com).
- CDs included with your system provide documentation and tools for configuring and managing your system.
- Release notes or readme files may be included to provide last-minute updates to the system or documentation or advanced technical reference material intended for experienced users or technicians.

## Obtaining Technical Assistance

If you do not understand a procedure in this guide or if the system does not perform as expected, see your *Hardware Owner's Manual*.

Dell™ Enterprise Training and Certification is available; see [www.dell.com/training](http://www.dell.com/training) for more information. This service may not be offered in all locations.

# Installation and Configuration

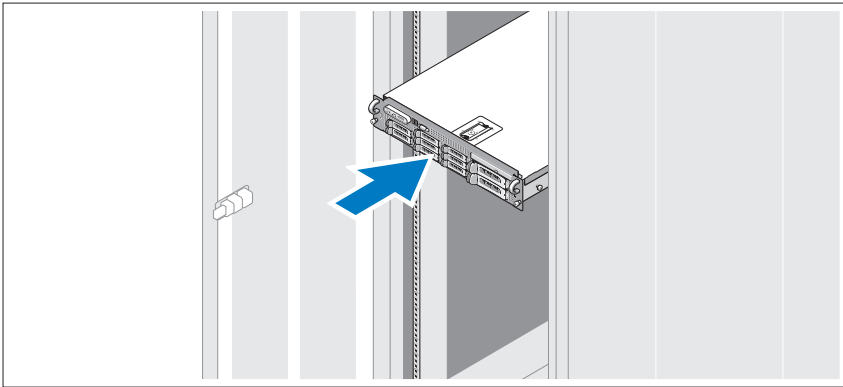
**⚠ CAUTION:** Before performing the following procedure, read and follow the safety instructions and important regulatory information in your *Product Information Guide*.

This section describes the steps to set up your system for the first time.

Unpack your system and identify each item.

Keep all shipping materials in case you need them later.

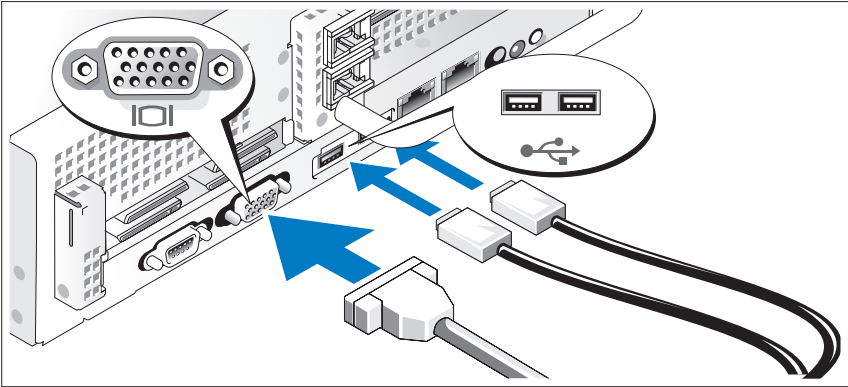
## Install the Rails and System in a Rack



Once you have read the "Safety Instructions" located in the rack installation documentation for your system, install the rails and the system in the rack.

See your rack installation documentation for instructions on installing your system in a rack.

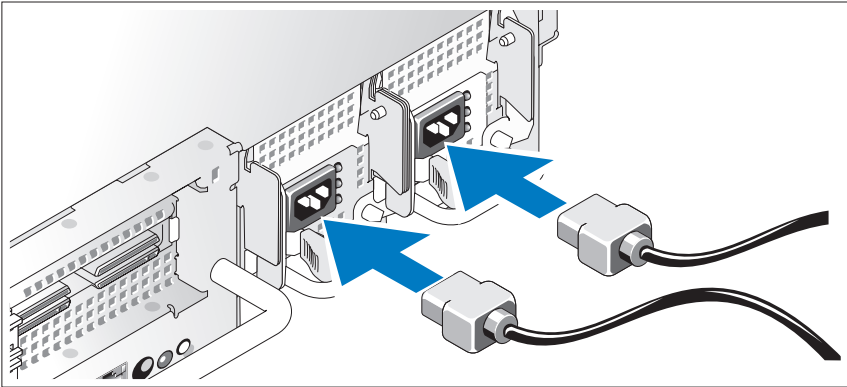
## Connect the Keyboard, Mouse, and Monitor



Connect the keyboard, mouse, and monitor (optional).

The connectors on the back of your system have icons indicating which cable to plug into each connector. Be sure to tighten the screws (if any) on the monitor's cable connector.

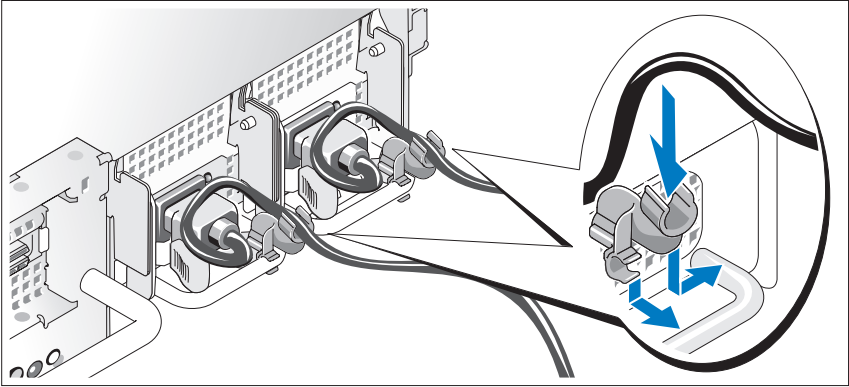
## Connect the Power



Connect the monitor (optional) and system power, and connect the system's power cable(s) to the system. If your system has an expansion card with a video output connector, *do not* connect the monitor to system's integrated video connector. Instead, connect the monitor cable to the connector on the expansion card.

Plug the other end of the cable into a grounded electrical outlet or a separate power source such as an uninterruptible power supply (UPS) or a power distribution unit (PDU).

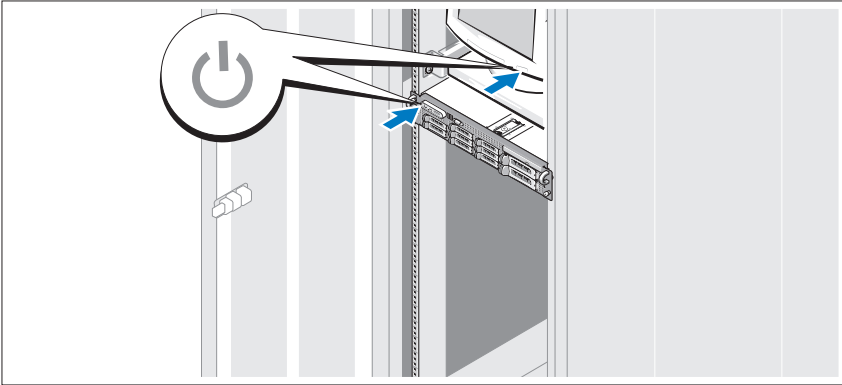
## Install the Power Cord Retention Bracket



Attach the power cord retention bracket on the right bend of the power supply handle. Bend the system power cable into a loop as shown in the illustration and attach to the bracket's cable clasp. Repeat the procedure for the second power supply.

Plug the other end of the power cables into a grounded electrical outlet or a separate power source such as an uninterruptible power supply (UPS) or a power distribution unit (PDU).

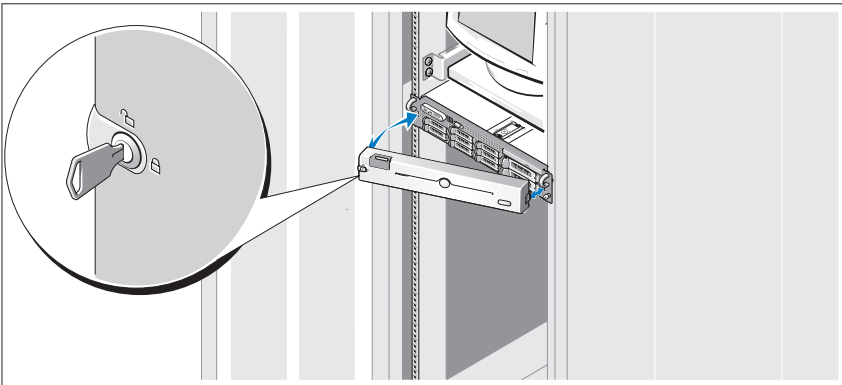
## Turn on the System



Turn on the system and monitor (optional).

Press the power button on the system and the monitor. The power indicators should light. Adjust the monitor's controls until the displayed image is satisfactory.

## Install the Bezel



Install the bezel (optional).

# Complete the Operating System Setup

If you purchased a preinstalled operating system, see the operating system documentation that ships with your system. To install an operating system for the first time, see the *Quick Installation Guide*. Be sure the operating system is installed before installing hardware or software not purchased with the system.

## Technical Specifications

---

<b>Processor</b>	
Processor type	One or two Dual-Core Intel Xeon Processors 5000 Sequence.

---

<b>Expansion Bus</b>	
Bus type	PCI-X, PCIe
Expansion slots	
Center riser:	
PCIe	one half-height x8 lane 3.3-V (slot 1)
Left riser	
PCI-X option:	two full-height, full-length 3.3-V, 64-bit, 133-MHz (slots 2 and 3)
	OR
PCIe option:	one full-height x8 lane 3.3-V (slot 2) and one full-height x4 lane 3.3-V (slot 3)

---

<b>Memory</b>	
Architecture	533 or 667 (when available) MHz Fully Buffered DIMMs (FBD)
Memory module sockets	eight 240-pin
Memory module capacities	256 MB, 512 MB, 1 GB, 2 GB, or 4 GB
Minimum RAM	512 MB (two 256-MB modules)
Maximum RAM	32 GB

---

**Drives**

---

Hard drives	up to six 3.5-inch, internal hot-pluggable SAS or SATA hard drives without optional media bay, OR up to four 3.5-inch internal hot-pluggable SAS or SATA hard drives with optional media bay
Diskette drive	one optional 3.5-inch, 1.44-MB external optional USB 3.5-inch, 1.44-MB
Optical drive	one optional slimline IDE CD, DVD, or combination CD-RW/DVD <b>NOTE: DVD devices are data only.</b> external optional USB CD
Tape drive	one optional internal half height tape backup device
Flash drive	external optional USB

---

**Connectors**

---

**Back**

NIC	Two RJ-45 (for integrated 1-GB NICs)
Serial	9-pin, DTE, 16550-compatible
USB	Two 4-pin, USB 2.0-compliant
Video	15-pin VGA

**Front**

Video	15-pin VGA
USB	Two 4-pin, USB 2.0-compliant

---

**Video**

---

Video type	ATI ES1000 video controller; VGA connectors
Video memory	16 MB of DDR SDRAM



---

**Power**

---

**AC power supply (per power supply)**

Wattage	750 W
Voltage	85–264 VAC, autoranging, 47–63 Hz
Heat dissipation	2697 BTU/hr maximum
Maximum inrush current	Under typical line conditions and over the entire system ambient operating range, the inrush current may reach 55 A per power supply for 10 ms or less.

**Batteries**

System battery	CR 2032 3.0-V lithium ion coin cell
RAID battery (optional)	4.1-V lithium ion

---

**Physical**

---

**Rack**

Height	8.656 cm (3.40 in)
Width	44.7 cm (17.6 in)
Depth	75.68 cm (29.79 in)
Weight (maximum configuration)	26.76 kg (59 lb)

---

**Environmental**

---

**NOTE:** For additional information about environmental measurements for specific system configurations, see [www.dell.com/environmental\\_datasheets](http://www.dell.com/environmental_datasheets).

**Temperature**

Operating	10° to 35°C (50° to 95°F) with a maximum temperature gradation of 10°C per hour
Storage	-40° to 65°C (-40° to 149°F) with a maximum temperature gradation of 20°C per hour

**Relative humidity**

Operating	20% to 80% (noncondensing) with a maximum humidity gradation of 10% per hour
Storage	5% to 95% (noncondensing) with a maximum humidity gradation of 10% per hour

**Maximum vibration**

Operating	0.25 G at 3–200 Hz for 15 min
Storage	0.5 G at 3–200 Hz for 15 min

**Maximum shock**

Operating	One shock pulse in the positive z axis (one pulse on each side of the system) of 41 G for up to 2 ms
Storage	Six consecutively executed shock pulses in the positive and negative x, y, and z axes (one pulse on each side of the system) of 71 G for up to 2 ms

**Altitude**

Operating	-16 to 3048 m (-50 to 10,000 ft)
Storage	-16 to 10,600 m (-50 to 35,000 ft)

---

Systemes Dell™ PowerVault™ 500

# Guide de mise en route

Modèle EMS01



# Remarques, avis et précautions



**REMARQUE** : Une REMARQUE indique des informations importantes qui peuvent vous aider à mieux utiliser votre système.



**AVIS** : un AVIS vous avertit d'un risque de dommage matériel ou de perte de données et vous indique comment éviter le problème.



**PRÉCAUTION** : le message **ATTENTION** indique une situation potentiellement dangereuse qui, si elle n'est pas évitée, peut provoquer une détérioration du matériel ou des blessures pouvant entraîner la mort.

---

Les informations contenues dans ce document peuvent être modifiées sans préavis.  
© 2007 Dell Inc. Tous droits réservés.

La reproduction de ce document de quelque manière que ce soit sans l'autorisation écrite de Dell Inc. est strictement interdite.

Marques utilisées dans ce document : *Dell*, le logo *DELL* et *PowerVault* sont des marques de Dell Inc. ; *Intel* et *Xeon* sont des marques déposées de Intel Corporation aux États-Unis et/ou dans d'autres pays ; *Microsoft*, *Windows* et *Windows Server* sont des marques déposées déposées ou non de Microsoft Corporation aux États-Unis et/ou dans d'autres pays.

Tous les autres noms de marques et marques commerciales utilisés dans ce document se rapportent aux sociétés propriétaires des marques et des noms de ces produits. Dell Inc. décline tout intérêt dans l'utilisation des marques déposées et des noms de marques ne lui appartenant pas.

Modèle EMS01

Novembre 2007

N/P YX154

Rév. A00

# Sommaire

<b>Caractéristiques du système</b> . . . . .	<b>21</b>
<b>Systèmes d'exploitation pris en charge</b> . . . . .	<b>23</b>
<b>Autres informations utiles</b> . . . . .	<b>24</b>
<b>Obtention d'une assistance technique</b> . . . . .	<b>24</b>
<b>Installation et configuration</b> . . . . .	<b>25</b>
Installation des rails et du système dans un rack . . . . .	25
Connexion du clavier, de la souris et du moniteur . . . . .	26
Branchez les câbles d'alimentation . . . . .	27
Fixez le support du câble d'alimentation . . . . .	28
Mise sous tension du système . . . . .	29
Installez le cadre . . . . .	29
<b>Finalisation de l'installation du système d'exploitation</b> . . . . .	<b>30</b>
<b>Spécifications techniques</b> . . . . .	<b>30</b>



# Caractéristiques du système

Les caractéristiques principales du système sont les suivantes :

- Un ou deux processeurs double cœur Intel® Xeon® 5000.
- Prise en charge du SMP (Symmetric Multiprocessing [multi-traitement symétrique]), disponible sur les systèmes dotés de deux processeurs Intel Xeon. Le SMP améliore considérablement les performances du système en partageant les tâches des processeurs entre des processeurs indépendants. Pour utiliser cette fonctionnalité, vous devez utiliser un système d'exploitation prenant en charge le multi-traitement.



**REMARQUE** : si vous décidez de mettre le système à niveau en installant un second processeur, vous devez commander les kits de mise à niveau de processeur chez Dell™. Certaines versions du processeur Intel Xeon ne fonctionnent pas correctement comme processeurs supplémentaires. Le kit de mise à niveau de Dell contient la version de processeur correcte, le dissipateur de chaleur et le ventilateur ainsi que les instructions de mise à niveau.

- Un minimum de 512 Mo sous forme de barrettes DIMM FBD (Fully Buffered DIMM), 533 ou 667 MHz (selon disponibilité), extensibles à un maximum de 32 Go via l'installation de combinaisons de barrettes de 256 Mo, 512 Mo, 1 Go, 2 Go ou 4 Go dans les huit emplacements pour barrettes mémoire de la carte système.

Le système est également équipé d'une mémoire redondante, ce qui permet de bénéficier d'une réserve utilisée en cas de défaillance, ou d'une fonction de mise en miroir de la mémoire. Ces fonctions sont disponibles si les huit modules de mémoire installés sont identiques.

- Prise en charge des disques suivants (enfichables à chaud) : un maximum de 6 disques durs SAS ou SATA internes de 3,5 pouces (sans la baie de média en option), ou de 4 disques durs SAS ou SATA internes de 3,5 pouces (avec la baie de média en option).
- La baie de média en option (disponible uniquement avec les configurations comprenant 4 disques de 3,5 pouces) permet d'installer une unité de sauvegarde sur bande de mi-hauteur et un lecteur de disquette 1,44 Mo de 3,5 pouces (tous deux disponibles en option).
- Un lecteur de CD ou de DVD IDE slim, ou un lecteur combo CD-RW/DVD (tous deux en option).



**REMARQUE** : les périphériques DVD sont uniquement des périphériques de données.

- Un détecteur d'intrusion dans le châssis qui transmet une alerte au logiciel de gestion des systèmes approprié en cas d'ouverture du capot de l'ordinateur.
- Jusqu'à deux blocs d'alimentation de 750 W enfichables à chaud dans une configuration redondante 1 + 1 (facultative).
- Quatre ventilateurs système enfichables à chaud.

La carte système offre les caractéristiques suivantes :

- L'une des options suivantes pour la carte de montage de gauche :
  - Carte comprenant deux logements PCIe pleine longueur (1 PCIe x8 et 1 PCIe x4)
  - OU
  - Carte comprenant deux logements PCI-X 64 bits pleine longueur à 3,3 V et 133 MHz, situés sur des bus PCI-X différents pouvant prendre en charge les cartes d'extension PCI de génération antérieure
- Carte de montage centrale comprenant un logement PCIe x8 mi-longueur.
- Logement réservé pour un adaptateur de bus hôte SAS intégré ou une carte contrôleur RAID en option dotée d'une mémoire cache de 256 Mo et d'une pile RAID. Le canal interne prend en charge jusqu'à six disques durs SATA de 3,5 pouces.



**REMARQUE :** le démarrage du système à partir d'un périphérique externe connecté à une carte SAS ou SCSI n'est pas pris en charge (cartes SAS 5/E, PERC 5/E et PERC 4e/DC incluses). Voir le site [support.dell.com](http://support.dell.com) pour obtenir les informations les plus récentes concernant le démarrage à partir de périphériques externes.

- Deux cartes réseau Ethernet Gigabit intégrées, capables de prendre en charge des débits de données de 10, 100 et 1000 Mbps.
- Quatre connecteurs USB 2.0 (deux à l'avant et deux à l'arrière) pour la connexion d'un périphérique externe (lecteur de disquette ou de CD-ROM, clavier, souris ou lecteur flash USB).
- Un contrôleur d'accès à distance en option, pour la gestion de systèmes à distance.



- Un sous-système vidéo compatible VGA intégré avec un contrôleur vidéo PCI ATI ES1000 à 33 MHz. Ce sous-système contient 16 Mo de mémoire vidéo SDRAM DDR (non extensible). La définition maximale prise en charge est de 1600 x 1200 avec 64 000 couleurs. Les graphiques True-color sont pris en charge dans les définitions suivantes : 640 x 480, 800 x 600, 1024 x 768, 1152 x 864 et 1280 x 1024. Lorsque la carte d'accès à distance en option est installée, la définition vidéo est de 1280 X 1024.
- Des circuits de gestion de systèmes qui surveillent le fonctionnement des ventilateurs, ainsi que les tensions et les températures critiques, des systèmes fonctionnant en collaboration avec le logiciel de gestion de systèmes.
- Un contrôleur BMC (contrôleur de gestion de la carte de base) standard avec accès série.
- Le panneau arrière contient un connecteur vidéo, un port série, deux connecteurs USB et deux connecteurs de NIC.
- Les connecteurs du panneau avant comprennent un connecteur vidéo et deux connecteurs USB.
- Un écran LCD 1x5 sur le panneau avant, affichant l'ID du système et les messages d'erreur.
- Un bouton d'ID du système sur les panneaux avant et arrière

Pour plus d'informations sur des caractéristiques spécifiques, voir “Spécifications techniques”, à la page 30.

## **Systemes d'exploitation pris en charge**

- Microsoft® Windows® Storage Server 2003 R2 Workgroup Edition, Standard Edition et Enterprise Edition 64 bits avec SP2

## Autres informations utiles



**PRÉCAUTION :** Le document *Product Information Guide* (Guide d'informations sur le produit) contient d'importantes informations se rapportant à la sécurité et aux réglementations. Les informations sur la garantie se trouvent soit dans ce document, soit à part.

- Le document *Instructions d'installation du rack* ou le *Guide d'installation du rack* fournis avec la solution rack décrivent l'installation du système.
- Le document *Hardware Owner's Manual* (Manuel du propriétaire) contient des informations sur les caractéristiques du système, ainsi que des instructions relatives au dépannage et à l'installation ou au remplacement de composants. Il se trouve sur les CD fournis avec le système et sur le site [support.dell.com](http://support.dell.com).
- Les CD fournis avec votre système contiennent des documents et des outils relatifs à la configuration et à la gestion du système.
- Des notes de version ou des fichiers lisez-moi (readme) sont parfois fournis ; ils contiennent des mises à jour de dernière minute apportées au système ou à la documentation, ou des documents de référence technique avancés destinés aux utilisateurs expérimentés ou aux techniciens.

## Obtention d'une assistance technique

Si vous ne comprenez pas une procédure décrite dans ce guide ou si le système ne réagit pas comme prévu, consultez le document *Hardware Owner's Manual* (Manuel du propriétaire).

Des formations et certifications Dell™ Enterprise sont disponibles. Pour plus d'informations, consultez le site [www.dell.com/training](http://www.dell.com/training). Ce service n'est disponible que dans certains pays.

# Installation et configuration

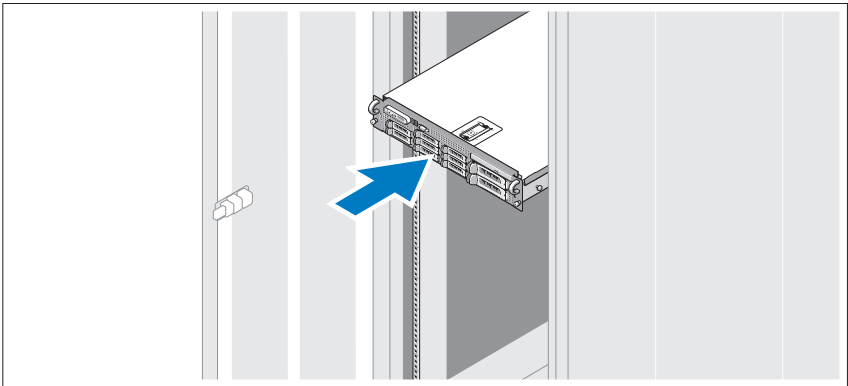
**⚠ PRÉCAUTION** : avant d'exécuter la procédure suivante, lisez les consignes de sécurité et les informations importantes sur les réglementations figurant dans le *Guide d'informations sur le produit*. Veillez à les respecter scrupuleusement.

Cette section décrit les étapes à exécuter lors de la configuration initiale du système.

Sortez le système de son emballage et identifiez chaque élément.

Conservez les matériaux d'emballage au cas où vous en auriez besoin ultérieurement.

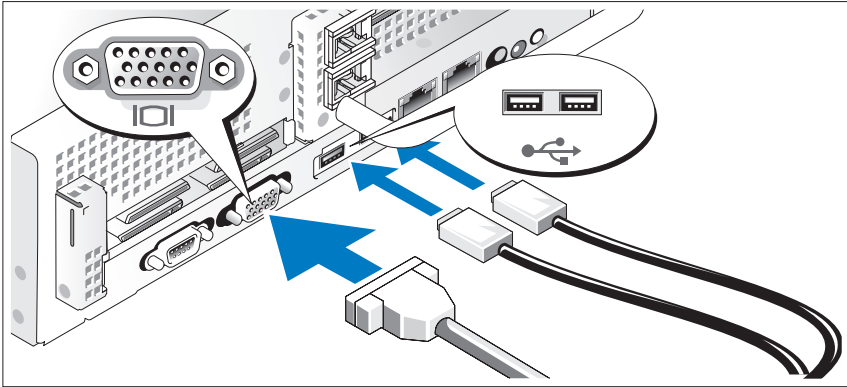
## Installation des rails et du système dans un rack



Commencez par lire les consignes de sécurité qui se trouvent dans la documentation d'installation du rack, puis installez les rails et le système dans le rack.

Consultez la documentation d'installation du rack pour obtenir les instructions appropriées.

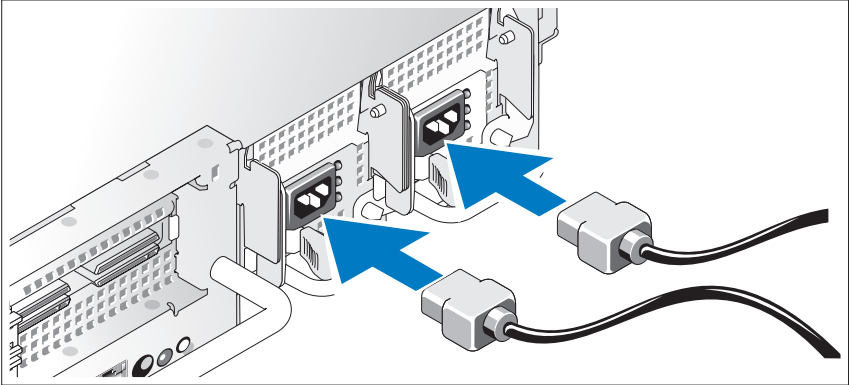
## Connexion du clavier, de la souris et du moniteur



Connectez le clavier, la souris et le moniteur (facultatif).

À l'arrière du système, de petites icônes indiquent quel câble doit être inséré dans chaque connecteur. N'oubliez pas de serrer les vis situées sur le connecteur du câble du moniteur, s'il en est équipé.

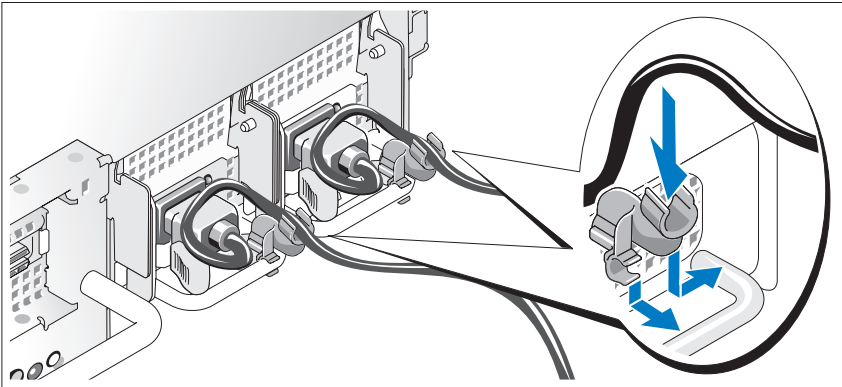
## Branchez les câbles d'alimentation



Insérez les cordons d'alimentation du moniteur (facultatif) et du système dans les connecteurs correspondants. Si le système est équipé d'une carte d'extension dotée d'un connecteur de sortie vidéo, *ne connectez pas* le moniteur sur le connecteur vidéo intégré du système mais sur celui de la carte d'extension.

Branchez ensuite l'autre extrémité du cordon sur une prise de courant mise à la terre ou sur une source d'alimentation autonome (onduleur ou unité de distribution de l'alimentation).

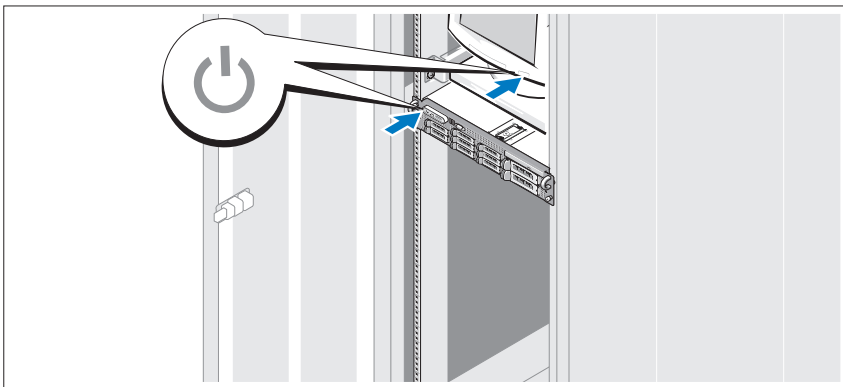
## Fixez le support du câble d'alimentation



Fixez le support du cordon sur la partie droite de la poignée du bloc d'alimentation. Faites une boucle comme indiqué dans l'illustration et insérez le cordon d'alimentation dans le clip du support. Recommencez cette procédure pour le second bloc d'alimentation.

Branchez ensuite l'autre extrémité des cordons sur une prise de courant mise à la terre ou sur une source d'alimentation autonome (onduleur ou unité de distribution de l'alimentation).

## Mise sous tension du système

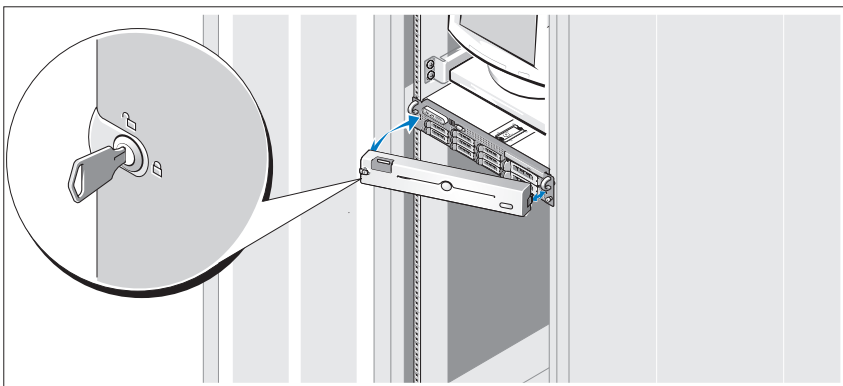


Mettez le système sous tension, ainsi que le moniteur, si nécessaire.

Appuyez sur le bouton d'alimentation du système et sur celui du moniteur.

Les voyants d'alimentation doivent s'allumer. Réglez le moniteur jusqu'à ce que l'image soit correctement affichée.

## Installez le cadre



Installez le cadre (facultatif).

# Finalisation de l'installation du système d'exploitation

Si vous avez acheté un système d'exploitation préinstallé, consultez tout d'abord la documentation correspondante, qui vous a été fournie avec le système.

Si vous installez un système d'exploitation pour la première fois, consultez le document *Quick Installation Guide* (Guide d'installation rapide). Veillez à installer le système d'exploitation avant tout élément matériel ou logiciel acheté séparément.

## Spécifications techniques

---

### Processeur

---

Type de processeur	Un ou deux processeurs double cœur Intel Xeon 5000
--------------------	-------------------------------------------------------

---

### Bus d'extension

---

Type de bus	PCI-X, PCIe
-------------	-------------

---

### Logements d'extension

Carte de montage centrale :

PCIe	Un emplacement x8 de mi-hauteur à 3,3 V (logement 1)
------	---------------------------------------------------------

Carte de montage de gauche :

Option PCI-X :	Les emplacements 2 et 3 peuvent accueillir deux cartes 64 bits, pleine hauteur, pleine longueur, fonctionnant à 3,3 V et cadencées à 133 MHz.
----------------	--------------------------------------------------------------------------------------------------------------------------------------------------------

Option PCIe :	OU Deux emplacements x8 et x4 pleine hauteur à 3,3 V (logements 2 et 3, respectivement)
---------------	--------------------------------------------------------------------------------------------------



---

## Mémoire

---

Architecture	Barrettes FB-DIMM (Fully Buffered DIMM) à 533 ou 667 MHz (selon disponibilité)
Supports de module de mémoire	Huit à 240 broches
Modules de mémoire compatibles	256 Mo, 512 Mo, 1 Go, 2 Go ou 4 Go
RAM minimale	512 Mo (deux modules de 256 Mo)
RAM maximale	32 Go

---

## Lecteurs

---

Disques durs	Jusqu'à 6 disques durs SAS ou SATA internes de 3,5 pouces (enfichables à chaud), sans la baie de média en option OU Jusqu'à 4 disques durs SAS ou SATA internes de 3,5 pouces (enfichables à chaud), avec la baie de média en option
Lecteur de disquette	Un lecteur 3,5 pouces de 1,44 Mo en option Un lecteur USB externe 3,5 pouces de 1,44 Mo en option
Lecteur optique	Un lecteur de CD ou de DVD IDE slim, ou un lecteur CD-RW/DVD (tous deux en option) <b>REMARQUE</b> : les périphériques DVD sont uniquement des périphériques de données. Un lecteur de CD USB externe en option
Lecteur de bande	Un périphérique interne de sauvegarde sur bande, mi-hauteur (en option)
Lecteur Flash	USB externe en option

---

**Connecteurs**

---

**À l'arrière**

NIC	Deux connecteurs RJ-45 (pour NIC 1 Gb intégrés)
Série	Connecteur DTE à 9 broches, compatible 16550
USB	Deux connecteurs à 4 broches, compatibles USB 2.0
Vidéo	VGA, 15 broches

**À l'avant**

Vidéo	VGA, 15 broches
USB	Deux connecteurs à 4 broches, compatibles USB 2.0

---

**Vidéo**

---

Type de vidéo	Contrôleur vidéo ATI ES1000 ; connecteurs VGA
Mémoire vidéo	16 Mo, DDR SDRAM

---

## Alimentation

---

### Bloc d'alimentation CA (selon la tension en vigueur)

Puissance	750 W
Tension	85-264 VCA avec sélection automatique de la tension, 47-63 Hz
Dissipation thermique	2697 BTU/heure maximum
Appel de courant maximal	Dans des conditions de lignes typiques et dans toute la gamme ambiante de fonctionnement du système, l'appel de courant peut atteindre 55 A par bloc d'alimentation pendant un maximum de 10 ms.

### Piles

Pile du système	Pile bouton au lithium-ion CR 2032, de 3 V
Pile RAID (en option)	4,1 V au lithium-ion

---

## Caractéristiques physiques

---

### Rack

Hauteur	8,656 cm (3,4 pouces)
Largeur	44,7 cm (17,6 pouces)
Profondeur	75,68 cm (29,79 pouces)
Poids (configuration maximale)	26,76 kg (59 livres)

---

## Caractéristiques d'exploitation

---

**REMARQUE :** pour plus d'informations concernant les mesures d'exploitation liées à différentes configurations spécifiques, rendez-vous sur le site [www.dell.com/environmental\\_datasheets](http://www.dell.com/environmental_datasheets).

### Température

En fonctionnement	De 10° à 35°C (50° à 95°F) avec un gradient de température maximal de 10°C par heure.
Stockage	De -40° à 65°C (-40° à 149°F) avec un gradient de température maximal de 20°C par heure.

### Humidité relative

En fonctionnement	De 20 % à 80 % (sans condensation) avec une gradation d'humidité maximale de 10 % par heure.
Stockage	De 5% à 95% (sans condensation) avec une gradation d'humidité maximale de 10 % par heure.

### Tolérance maximale aux vibrations

En fonctionnement	0,25 G de 3 à 200 Hz pendant 15 mn.
En stockage	0,5 G de 3 à 200 Hz pendant 15 mn.

### Choc maximal

En fonctionnement	Une impulsion de choc de 41 G pendant un maximum de 2 ms sur l'axe z positif (une impulsion de chaque côté du système)
En stockage	Six chocs consécutifs de 71 G pendant un maximum de 2 ms en positif et négatif sur les axes x, y et z (une impulsion de chaque côté du système)

### Altitude

En fonctionnement	De -16 à 3 048 m (-50 à 10 000 pieds)
En stockage	De -16 à 10 600 m (-50 à 35 000 pieds)

---

Sistemas Dell™ PowerVault™ 500

# Primeiros passos com o sistema

Modelo EMS01



# Notas, avisos e advertências



**NOTA:** NOTA fornece informações importantes para ajudar você a usar melhor o computador.



**AVISO:** AVISO indica possíveis danos ao hardware ou a possibilidade de perda de dados e ensina como evitar o problema.



**ADVERTÊNCIA:** ADVERTÊNCIA indica um potencial de danos à propriedade, de lesões corporais ou até de morte.

---

As informações contidas neste documento estão sujeitas a alterações sem aviso prévio.

© 2007 Dell Inc. Todos os direitos reservados.

Fica proibida a reprodução por quaisquer meios sem a permissão por escrito da Dell Inc.

Marcas comerciais mencionadas neste texto: *Dell*, o logotipo da *DELL* e *PowerVault* são marcas comerciais da Dell Inc.; *Intel* e *Xeon* são marcas registradas da Intel Corporation nos Estados Unidos e em outros países; *Microsoft*, *Windows*, e *Windows Server* são marcas comerciais ou marcas registradas da Microsoft Corporation nos Estados Unidos e/ou outros países.

As demais marcas e nomes comerciais podem ser utilizados neste documento em referência a empresas proprietárias das marcas e aos nomes de seus produtos. A Dell Inc. renuncia ao direito de qualquer participação em nomes e marcas comerciais que não sejam de sua propriedade.

Modelo EMS01

Novembro de 2007

N/P YX154

Rev. A00

# Conteúdo

<b>Recursos do sistema</b> . . . . .	<b>39</b>
<b>Sistemas operacionais admitidos</b> . . . . .	<b>41</b>
<b>Outras informações úteis</b> . . . . .	<b>42</b>
<b>Como obter assistência técnica</b> . . . . .	<b>42</b>
<b>Instalação e configuração</b> . . . . .	<b>43</b>
Instale os trilhos e o sistema no rack . . . . .	43
Conecte o teclado, o mouse e o monitor . . . . .	44
Conecte à energia . . . . .	45
Instale o suporte de retenção do cabo de alimentação . . . . .	46
Como ligar o sistema . . . . .	47
Instale o painel . . . . .	47
<b>Conclua a configuração do sistema operacional</b> . . .	<b>48</b>
<b>Especificações técnicas</b> . . . . .	<b>48</b>





## Recursos do sistema

As principais características de hardware e software do sistema incluem:

- Um ou dois processadores Intel® Xeon® Dual Core Série 5000.
- Suporte para multiprocessamento simétrico (SMP), disponível nos sistemas com dois processadores Intel Xeon. O SMP melhora enormemente o desempenho geral do sistema dividindo as operações do processador entre processadores independentes. Para tirar vantagem desse recurso, utilize um sistema operacional que suporte o multiprocessamento.



**NOTA:** Se decidir atualizar o sistema por meio da instalação de um segundo processador, solicite os kits de atualização de processador da Dell™. Nem todas as versões de processador Intel Xeon irão funcionar de forma adequada como processadores adicionais. O kit de atualização da Dell contém a versão correta de processador, dissipador de calor e ventilador, bem como as instruções para a execução da atualização.

- Memória mínima de 512 MB com Fully Buffered DIMMs (FBD) de 533 MHz ou 667 MHz (quando disponível), atualizável até o máximo de 32 GB por meio da instalação de combinações de módulos de memória de 256 MB, 512 MB, 1 GB, 2 GB ou 4 GB nos oito soquetes para módulos de memória existentes na placa do sistema.

O sistema também apresenta o recurso de memória redundante que proporciona reserva ou espelhamento de memória. Esses recursos estarão disponíveis se oito módulos de memória idênticos forem instalados.

- Suporte para até seis unidades de disco rígido Serial Attached SCSI (SAS) ou SATA internas de 3,5 polegadas e com conexão automática sem barramento de mídia opcional, ou até quatro unidades de disco rígido SAS ou SATA internas de 3,5 polegadas e com conexão automática com barramento de mídia opcional.
- O barramento de mídia opcional (disponível apenas com as configurações de backplane x4 de 3,5 polegadas) proporciona suporte para uma unidade de fita para backup (TBU) de meia-altura e uma única unidade de disquete de 3,5 polegadas de 1,44 MB.
- Uma unidade IDE opcional de CD, DVD ou combinação de CD-RW/DVD de linha fina.



**NOTA:** Os dispositivos de DVD destinam-se somente a dados.

- Uma chave de violação de chassi que sinaliza ao software de gerenciamento de sistemas adequado quando a tampa superior é aberta.
- Até duas fontes de alimentação de 750 W com conexão automática, em uma configuração redundante 1+1 opcional.
- Quatro ventiladores de sistema com conexão automática.

A placa de sistema inclui os seguintes recursos:

- Uma das seguintes opções de placa riser esquerda:
  - Uma placa riser esquerda com um slot PCIe de pista x8 com comprimento total e um slot PCIe de pista x4 com comprimento total.
  - OU
  - Uma placa riser esquerda com dois slots PCI-X 133 MHz de 64 bits e 3,3 V em barramentos PCI-X separados, com capacidade de retroajuste para suporte a placas PCI herdadas.
- Uma placa riser central com um slot PCIe de pista x8 com meio-comprimento.
- Slot dedicado para um adaptador de barramento host SAS integrado ou uma placa controladora RAID opcional, com 256 MB de memória cache e uma bateria RAID. O canal interno suporta até seis discos rígidos SATA de 3,5 polegadas.



**NOTA:** A inicialização do sistema não tem suporte de dispositivos externos conectados ao adaptador SAS ou SCSI, incluindo SAS 5/E, PERC 5/E ou PERC 4e/DC. Visite o site [support.dell.com](http://support.dell.com) (em inglês) para obter as informações de suporte mais recentes sobre a inicialização a partir de dispositivos externos.

- Duas placas NIC Gigabit Ethernet integradas, capazes de suportar taxas de dados de 10 Mbps, 100 Mbps e 1.000 Mbps.
- Quatro conectores compatíveis com USB 2.0, dois na parte frontal e dois na parte traseira, capazes de suportar unidades de disquete, unidades de CD-ROM, teclado, mouse ou unidades flash USB.
- Controlador de acesso remoto (RAC) para o gerenciamento remoto de sistemas.

- Um subsistema de vídeo compatível com o padrão VGA, com um controlador de vídeo PCI ATI ES1000 de 33 MHz. O subsistema de vídeo contém 16 MB de memória de vídeo DDR SDRAM (não atualizável). A resolução máxima é de 1600 x 1200 com 64 mil cores e os gráficos do tipo true-color têm suporte nas seguintes resoluções: 640 x 480, 800 x 600, 1024 x 768, 1152 x 864 e 1280 x 1024. Quando o RAC opcional estiver instalado, a resolução de vídeo será de 1280 X 1024.
- Circuito de gerenciamento de sistemas que monitora o funcionamento dos ventiladores do sistema e as voltagens e temperaturas críticas. O circuito de gerenciamento de sistemas trabalha em conjunto com o software de gerenciamento de sistemas.
- Controlador padrão de gerenciamento da placa de base com acesso serial.
- Os conectores do painel traseiro incluem um conector serial, um conector de vídeo, dois conectores USB e dois conectores NIC.
- Os conectores do painel frontal incluem um conector de vídeo e dois conectores USB.
- Um visor LCD de 1x5 pol. no painel frontal para visualização da identificação do sistema e de mensagens de erro.
- Botão de identificação do sistema nos painéis frontal e traseiro.

Para obter mais informações sobre recursos específicos, consulte a seção “Especificações técnicas” na página 48.

## Sistemas operacionais admitidos

- Microsoft® Windows® Storage Server 2003 R2, nas edições Workgroup, Standard e Enterprise x64 com SP2.

## Outras informações úteis



**ADVERTÊNCIA:** O *Guia de informações do produto* fornece informações importantes sobre segurança e regulamentação. As informações sobre garantia podem estar incluídas neste documento ou serem fornecidas como documento separado.

- O documento *Rack Installation Instructions* (Instruções para montagem em rack) ou *Rack Installation Guide* (Guia para instalação em rack) incluído com a solução em rack descreve como instalar o sistema em racks.
- O *Manual do proprietário de hardware* fornece informações sobre os recursos do sistema e descreve como solucionar problemas do sistema e instalar ou substituir seus componentes. Esse documento pode ser encontrado nos CDs que acompanham o sistema ou no site [support.dell.com](http://support.dell.com) (em inglês).
- Os CDs incluídos com o sistema fornecem documentação e ferramentas para a configuração e o gerenciamento do sistema.
- Talvez existam notas de versão e arquivos Leia-me incluídos para fornecer as atualizações mais recentes do sistema ou documentação/material para referência técnica avançada destinados a usuários experientes ou técnicos.

## Como obter assistência técnica

Se não compreender algum procedimento descrito neste guia ou se o sistema não apresentar o desempenho esperado, consulte o *Manual do proprietário de hardware*.

Existem recursos de treinamento e certificação empresarial da Dell™; visite o site [www.dell.com/training](http://www.dell.com/training) (em inglês) para obter mais informações. Esse serviço pode não ser oferecido em todos os locais.

# Instalação e configuração

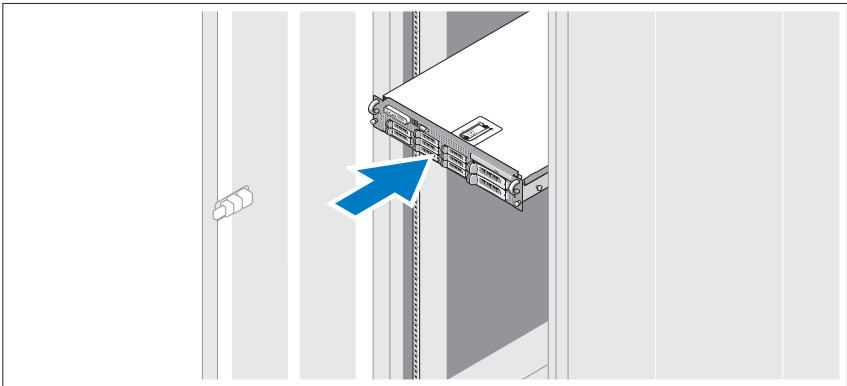
**⚠️ ADVERTÊNCIA:** Antes de executar o seguinte procedimento, leia e siga as instruções de segurança e as informações importantes de normalização contidas no *Guia de informações do produto*.

Esta seção descreve as etapas para a configuração do sistema pela primeira vez.

Remova o sistema da embalagem e identifique cada item.

Guarde todos os materiais de envio caso sejam necessários mais tarde.

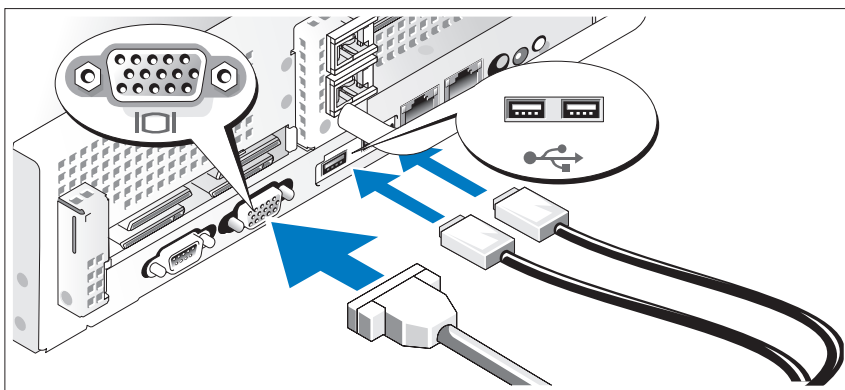
## Instale os trilhos e o sistema no rack



Depois de ler as instruções de segurança localizadas na documentação de instalação em rack para o sistema, instale os trilhos e o sistema no rack.

Consulte o documento de instalação do rack para obter instruções sobre como instalar o seu sistema em um rack.

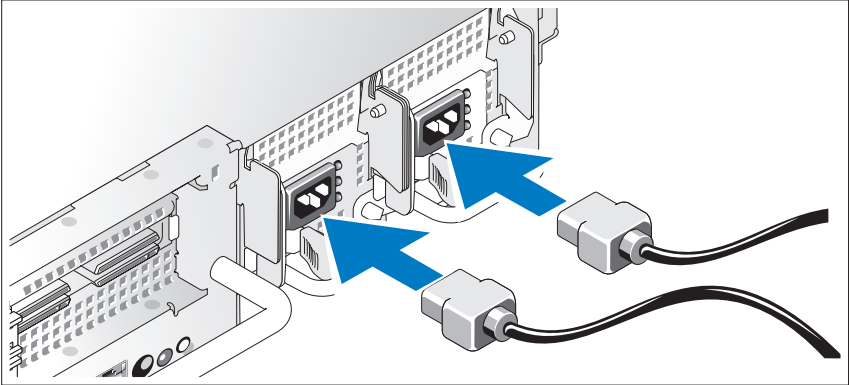
## Conecte o teclado, o mouse e o monitor



Conecte o teclado, o mouse e o monitor (opcional).

Os conectores localizados na parte traseira do sistema possuem ícones indicando quais cabos devem ser ligados a cada conector. Certifique-se de apertar os parafusos (se houver algum) no conector do cabo do monitor.

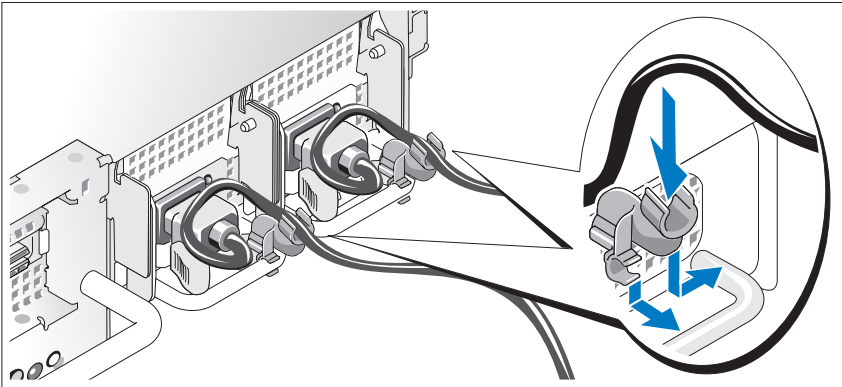
## Conecte à energia



Conecte o monitor (opcional) e o sistema à fonte de energia e, em seguida, conecte o(s) cabo(s) de alimentação do sistema a este. Caso o sistema possua uma placa de expansão com conector para saída de vídeo, *não* conecte o monitor ao conector de vídeo integrado ao sistema. Em vez disso, conecte o cabo do monitor ao conector localizado na placa de expansão.

Conecte a outra extremidade do cabo a uma tomada elétrica aterrada ou a uma fonte de energia separada como, por exemplo, uma UPS (Uninterrupted Power Supply – Fonte de alimentação contínua) ou uma PDU (Power Distribution Unit – Unidade de distribuição de energia).

## Instale o suporte de retenção do cabo de alimentação

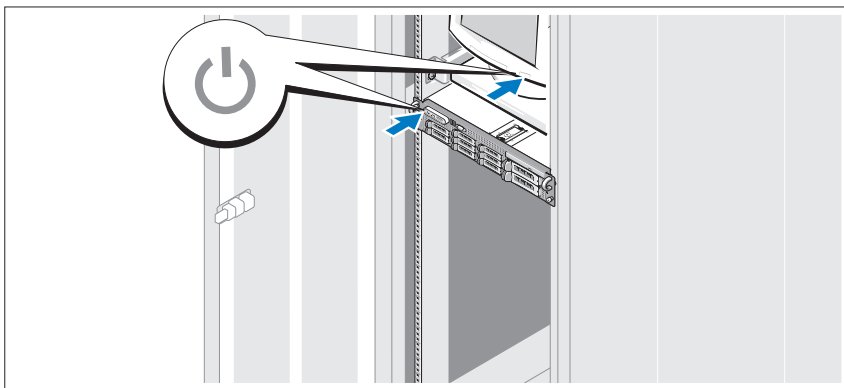


Conecte o suporte de retenção do cabo de alimentação na dobra direita da alça da fonte de alimentação. Dobre o cabo de alimentação do sistema em forma de laço conforme apresentado na ilustração e conecte-o ao colchete do cabo localizado no suporte. Repita o procedimento para a segunda fonte de alimentação.

Conecte a outra extremidade dos cabos de alimentação a uma tomada elétrica aterrada ou a uma fonte de energia separada como, por exemplo, uma UPS (Uninterruptible Power Supply [fonte de alimentação ininterrupta]) ou uma PDU.



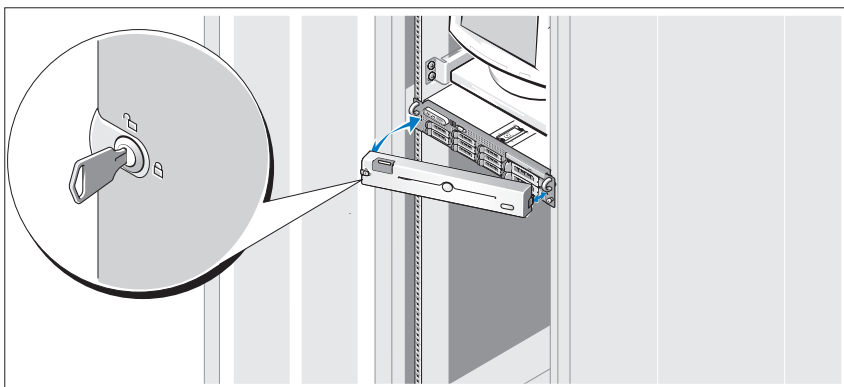
## Como ligar o sistema



Ligue o sistema e o monitor (opcional).

Pressione o botão liga/desliga do sistema e do monitor. As luzes indicadoras de força deverão se acender. Ajuste os controles do monitor até que a imagem exibida seja satisfatória.

## Instale o painel



Instale a tampa frontal (opcional).

## Conclua a configuração do sistema operacional

Caso tenha adquirido um sistema operacional pré-instalado, consulte a respectiva documentação fornecida com o sistema. Para instalar um sistema operacional pela primeira vez, consulte o *Guia de instalação rápida*. Certifique-se de que o sistema operacional esteja instalado antes de instalar qualquer hardware ou software que não tenha sido adquirido com o sistema.

## Especificações técnicas

---

### Processador

---

Tipo de processador	Um ou dois processadores Intel Xeon Dual Core Série 5000
---------------------	----------------------------------------------------------

---

### Barramento de expansão

---

Tipo de barramento	PCI-X, PCIe
--------------------	-------------

---

#### Slots de expansão

Placa riser central:

PCIe	Um slot de pista x8 de 3,3 V com meia-altura (slot 1)
------	-------------------------------------------------------

Placa riser esquerda

Opção PCI-X:	Dois slots de 133 MHz de 64 bits e 3,3 V, com altura total e comprimento total (slots 2 e 3)
--------------	----------------------------------------------------------------------------------------------

Opção PCIe:	OU Um slot de pista x8 de 3,3 V com altura total (slot 2) e um slot de pista x4 de 3,3 V com altura total (slot 3)
-------------	-----------------------------------------------------------------------------------------------------------------------

---

## Memória

---

Arquitetura	Fully Buffered DIMMs (FBD) de 533 MHz ou 667 MHz (quando disponível)
Soquetes dos módulos de memória	Oito de 240 pinos
Capacidades dos módulos de memória	256 MB, 512 MB, 1 GB, 2 GB ou 4 GB
RAM mínima	512 MB (dois módulos de 256 MB)
RAM máxima	32 GB

---

## Unidades

---

Unidades de disco rígido	Até seis unidades de disco rígido SAS ou SATA internas de 3,5 polegadas com conexão automática sem barramento de mídia opcional OU Até quatro unidades de disco rígido SAS ou SATA internas de 3,5 polegadas com conexão automática com barramento de mídia opcional
Unidade de disquete	uma unidade opcional de 3,5 polegadas de 1,44 MB unidade USB externa opcional de 3,5 polegadas de 1,44 MB
Unidade óptica	Uma unidade IDE opcional de CD, DVD ou combinação de CD-RW/DVD de linha fina <b>NOTA: Os dispositivos de DVD destinam-se somente a dados.</b> unidade óptica USB externa de CD opcional
Unidade de fita	Um dispositivo interno de fita para backup com meia-altura opcional
Unidade flash	USB externa opcional

---

**Conectores**

---

**Parte posterior**

Placa de rede	Dois RJ-45 (para placas de rede integradas de 1 GB).
Serial	DTE de 9 pinos, compatível com 16550
USB	Dois de 4 pinos, compatível com USB 2.0
Vídeo	VGA de 15 pinos

**Parte frontal**

Vídeo	VGA de 15 pinos
USB	Dois de 4 pinos, compatível com USB 2.0

---

**Vídeo**

---

Tipo de vídeo	Controlador de vídeo ATI ES1000; conectores VGA
Memória de vídeo	16 MB de DDR SDRAM

---

## Energia

---

### Fonte de alimentação CA (por fonte de alimentação)

Potência	750 W
Tensão	85 VCA a 264 VCA, variação automática, 47 Hz a 63 Hz
Dissipação de calor	Máxima de 2697 BTU/h
Corrente de entrada máxima	Sob condições de linha típicas e dentro de todo o intervalo de temperatura ambiente de funcionamento do sistema, a corrente de entrada poderá atingir 55 A por fonte de alimentação por 10 ms ou menos.

### Baterias

Bateria do sistema	Célula tipo moeda, de íon de lítio, CR 2032 de 3,0 V
Bateria RAID (opcional)	Íon de lítio de 4,1 V

---

## Físicas

---

### Rack

Altura	8,656 cm (3,40 pol.)
Largura	44,7 cm (17,6 pol.)
Profundidade	75,68 cm (29,79 pol.)
Peso (configuração máxima)	26,76 kg (59 lb)

---

## Ambientais

---

**NOTA:** Para obter informações adicionais sobre os valores ambientais para configurações de sistema específicas, visite o site [www.dell.com/environmental\\_datasheets](http://www.dell.com/environmental_datasheets) (em inglês).

### Temperatura

Operacional	10 °C a 35 °C (50 °F a 95 °F) com variação de temperatura máxima de 10 °C por hora
Armazenamento	-40 °C a 65 °C (-40 °F a 149 °F) com variação de temperatura máxima de 20 °C por hora

### Umidade relativa

Operacional	20% a 80% (sem condensação) com variação de umidade máxima de 10% por hora
Armazenamento	5% a 95% (sem condensação) com variação de umidade máxima de 10% por hora

### Vibração máxima

Operacional	0,25 G a 3 Hz a 200 Hz por 15 minutos
Armazenamento	0,5 G a 3 Hz a 200 Hz por 15 minutos

### Choque máximo

Operacional	Um pulso de choque no eixo z positivo (um pulso de cada lado do sistema) de 41 G por até 2 ms
Armazenamento	Seis pulsos de choque executados consecutivamente nos eixos x, y e z positivos e negativos (um pulso de cada lado do sistema) de 71 G por até 2 ms

### Altitude

Operacional	-16 m a 3.048 m (-50 pés a 10.000 pés)
Armazenamento	-16 m a 10.600 m (-50 pés a 35.000 pés)

---

Sistemas Dell™ PowerVault™ 500

# Procedimientos iniciales con el sistema

Modelo EMS01



# Notas, avisos y precauciones



**NOTA:** una NOTA proporciona información importante que le ayudará a utilizar mejor el sistema.



**AVISO:** un AVISO indica la posibilidad de daños en el hardware o la pérdida de datos, e informa de cómo evitar el problema.



**PRECAUCIÓN:** un mensaje de PRECAUCIÓN indica el riesgo de daños materiales, lesiones o incluso la muerte.

---

**La información contenida en este documento puede modificarse sin previo aviso.**

**© 2007 Dell Inc. Todos los derechos reservados.**

Queda estrictamente prohibida la reproducción de este documento en cualquier forma sin la autorización por escrito de Dell Inc.

Marcas comerciales utilizadas en este texto: *Dell*, el logotipo de *DELL* y *PowerVault* son marcas comerciales de Dell Inc.; *Intel* y *Xeon* son marcas comerciales registradas de Intel Corporation en los Estados Unidos y en otros países; *Microsoft*, *Windows* y *Windows Server* son marcas comerciales o marcas comerciales registradas de Microsoft Corporation en los Estados Unidos o en otros países.

Otras marcas y otros nombres comerciales pueden utilizarse en este documento para hacer referencia a las entidades que los poseen o a sus productos. Dell Inc. renuncia a cualquier interés sobre la propiedad de marcas y nombres comerciales que no sean los suyos.

Modelo EMS01

Noviembre de 2007

N/P YX154

Rev. A00



# Contenido

<b>Componentes del sistema</b> . . . . .	<b>57</b>
<b>Sistemas operativos admitidos</b> . . . . .	<b>59</b>
<b>Otra información útil</b> . . . . .	<b>60</b>
<b>Obtención de asistencia técnica</b> . . . . .	<b>60</b>
<b>Instalación y configuración</b> . . . . .	<b>61</b>
Instalación de los rieles y del sistema en un rack . . . . .	61
Conexión del teclado, el ratón y el monitor . . . . .	62
Conexión de la alimentación . . . . .	63
Instalación del soporte de retención del cable de alimentación . . . . .	64
Encendido del sistema . . . . .	65
Colocación del embellecedor . . . . .	65
<b>Finalización de la instalación del sistema operativo</b> . . . . .	<b>66</b>
<b>Especificaciones técnicas</b> . . . . .	<b>66</b>



# Componentes del sistema

Los principales componentes de hardware y software del sistema son:

- Uno o dos procesadores Intel® Xeon® de doble núcleo 5000 Sequence.
- Compatibilidad con SMP (multiprocesamiento simétrico), disponible en sistemas con dos procesadores Intel Xeon. SMP mejora en gran medida el rendimiento global del sistema al repartir las operaciones del procesador entre procesadores independientes. Para aprovechar esta característica, debe utilizar un sistema operativo que admita el multiprocesamiento.



**NOTA:** si decide actualizar el sistema instalando un segundo procesador, debe solicitar a Dell™ los kits de actualización del procesador. No todas las versiones del procesador Intel Xeon funcionarán correctamente como procesadores adicionales. El kit de actualización de Dell contiene la versión correcta del procesador, del disipador de calor y de los ventiladores, así como las instrucciones para llevar a cabo la actualización.

- Un mínimo de 512 MB en DIMM con búfer completo (FBD) a 533 o 667 MHz (si está disponible), ampliable a un máximo de 32 GB mediante la instalación de combinaciones de módulos de memoria de 256 MB, 512 MB, 1 GB, 2 GB o 4 GB en los ocho zócalos para módulos de memoria de la placa base.

El sistema también dispone de memoria redundante, que puede utilizarse como sustitución de memoria o duplicación de memoria. Ambas características están disponibles si se instalan ocho módulos de memoria idénticos.

- Admite hasta seis unidades internas de disco duro de 3,5 pulgadas y acoplamiento activo, de tipo SAS (SCSI de conexión serie) o SATA, sin compartimiento opcional para medios; o hasta cuatro unidades internas de disco duro de 3,5 pulgadas y acoplamiento activo SAS o SATA, con compartimiento opcional para medios.
- El compartimiento para medios opcional (disponible sólo en configuraciones de plano posterior de 3,5 pulgadas x4) permite alojar una unidad opcional de copia de seguridad en cinta (TBU) de media altura y una unidad de disquete opcional de 1,44 MB y 3,5 pulgadas.
- Una unidad IDE reducida opcional de CD, de DVD o de CD-RW/DVD combinada.



**NOTA:** los dispositivos de DVD son sólo de datos.

- Un interruptor de intrusión en el chasis que indica el software de administración de sistemas adecuado si se abre la cubierta superior.
- Hasta dos fuentes de alimentación de 750 W de acoplamiento activo en una configuración redundante 1 + 1 opcional.
- Cuatro ventiladores de acoplamiento activo para la refrigeración del sistema.

La placa base incluye los componentes siguientes:

- Una de las siguientes opciones de tarjeta vertical izquierda:
  - Una tarjeta vertical izquierda con una ranura PCIe x8 de longitud completa y una ranura PCIe x4 de longitud completa.
 O bien:
  - Una tarjeta vertical izquierda con dos ranuras PCI-X de longitud completa, 3,3 V, 64 bits y 133 MHz, en buses PCI-X distintos (con posibilidad de retroadmitir tarjetas PCI de legado adicionales).
- Una tarjeta vertical central con una ranura PCIe x8 de media longitud.
- Una ranura dedicada para un adaptador de bus de host SAS integrado o una tarjeta controladora RAID opcional con 256 MB de memoria caché y una batería RAID. El canal interno admite hasta seis unidades de disco duro SATA de 3,5 pulgadas.



**NOTA:** no es posible iniciar el sistema desde un dispositivo externo conectado a un adaptador SAS o SCSI, incluidos SAS 5/E, PERC 5/E o PERC 4e/DC. Para obtener información actualizada sobre cómo iniciar el sistema desde dispositivos externos, visite [support.dell.com](http://support.dell.com).

- Dos NIC Ethernet Gigabit integradas que admiten velocidades de datos de 10 Mbps, 100 Mbps y 1 000 Mbps.
- Cuatro conectores compatibles con USB 2.0 (dos en la parte frontal y dos en la parte posterior) que admiten una unidad de disquete, una unidad de CD-ROM, un teclado, un ratón o una unidad flash USB.
- Controladora de acceso remoto (RAC) opcional para la administración remota de sistemas.

- Un subsistema de vídeo integrado compatible con VGA con una controladora de vídeo PCI ATI ES1000 a 33 MHz. Este subsistema de vídeo contiene 16 MB de memoria de vídeo SDRAM DDR (no ampliable). La resolución máxima es de 1 600 x 1 200 con 64 000 colores; se admiten gráficos de color verdadero en las resoluciones siguientes: 640 x 480, 800 x 600, 1 024 x 768, 1 152 x 864 y 1 280 x 1 024. Cuando se instala una RAC opcional, la resolución de vídeo es de 1 280 x 1 024.
- Circuitos de administración de sistemas que supervisan el funcionamiento de los ventiladores del sistema, así como los voltajes y temperaturas críticos del sistema. Los circuitos de administración de sistemas funcionan conjuntamente con el software de administración de sistemas.
- Controladora de administración de la placa base estándar con acceso serie.
- El panel posterior incluye un conector serie, un conector de vídeo, dos conectores USB y dos conectores de NIC.
- En el panel frontal se incluyen un conector de vídeo y dos conectores USB.
- LCD de panel frontal 1x5 para la ID y los mensajes de error del sistema.
- Botón de ID del sistema en los paneles frontal y posterior.

Para obtener más información sobre componentes específicos, consulte “Especificaciones técnicas” en la página 66.

## **Sistemas operativos admitidos**

- Microsoft® Windows® Storage Server 2003 R2 Workgroup, Standard y Enterprise x64 Editions con SP2

## Otra información útil



**PRECAUCIÓN:** la *Guía de información del producto* contiene información importante sobre seguridad y normativas. La información sobre la garantía puede estar incluida en este documento o constar en un documento aparte.

- En los documentos *Instrucciones de instalación del rack* o *Guía de instalación del rack* incluidos con el rack se describe cómo instalar el sistema en un rack.
- En el *Manual del propietario del hardware* se proporciona información sobre los componentes del sistema y se describe cómo solucionar problemas del sistema e instalar o sustituir componentes. Este documento puede encontrarse en los CD incluidos con el sistema o en [support.dell.com](http://support.dell.com).
- Los CD que se facilitan con el sistema proporcionan documentación y herramientas para configurar y administrar el sistema.
- Es posible que se incluyan notas de la versión o archivos Léame para proporcionar actualizaciones de última hora relativas al sistema o a la documentación, o material de consulta técnica avanzada destinado a técnicos o usuarios experimentados.

## Obtención de asistencia técnica

Si no comprende algún procedimiento descrito en esta guía o si el sistema no funciona del modo esperado, consulte el *Manual del propietario del hardware*.

Tiene a su disposición el servicio de formación y certificación Dell™ para empresas. Para obtener más información, visite [www.dell.com/training](http://www.dell.com/training).

Es posible que este servicio no se ofrezca en todas las regiones.

# Instalación y configuración

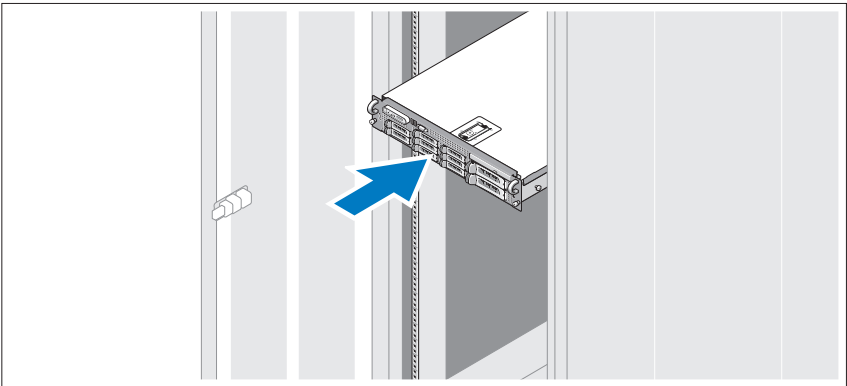
**⚠ PRECAUCIÓN:** antes de realizar el procedimiento siguiente, lea y siga las instrucciones de seguridad y la información importante sobre normativas incluidas en la *Guía de información del producto*.

En esta sección se describen los pasos para configurar el sistema por primera vez.

Desembale el sistema e identifique cada elemento.

Guarde el material de embalaje por si lo necesita más adelante.

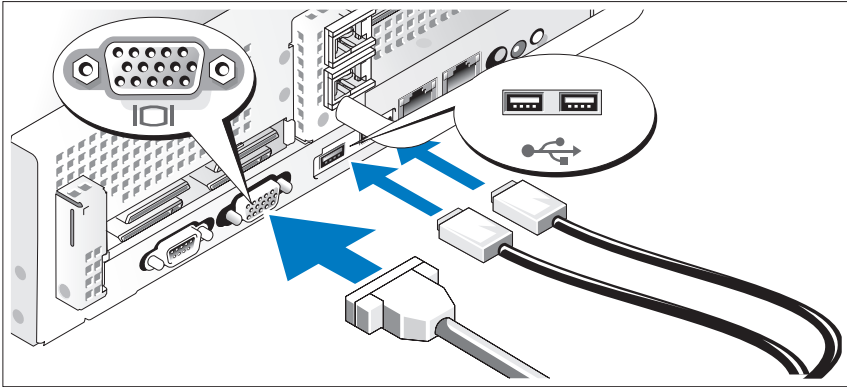
## Instalación de los rieles y del sistema en un rack



Después de leer las instrucciones de seguridad incluidas en la documentación del sistema relativa a la instalación del rack, instale los rieles y el sistema en el rack.

Consulte la documentación de instalación del rack para obtener instrucciones sobre la instalación del sistema en un rack.

## Conexión del teclado, el ratón y el monitor

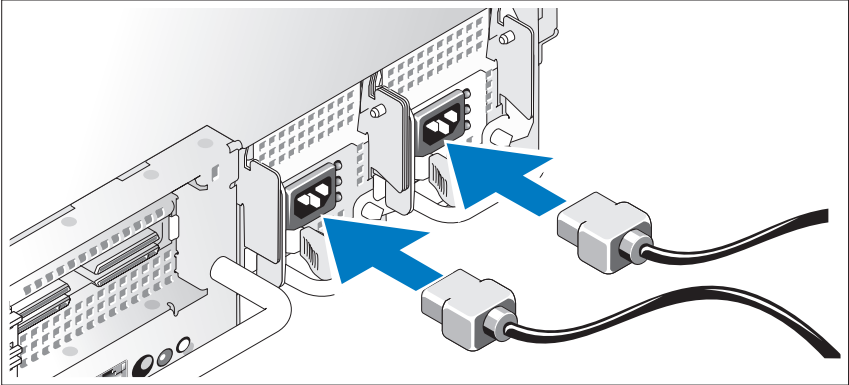


Conecte el teclado, el ratón y el monitor (opcional).

Los conectores de la parte posterior del sistema incluyen iconos que indican qué cable debe enchufarse en cada conector. Asegúrese de apretar los tornillos (si los hay) del conector del cable del monitor.



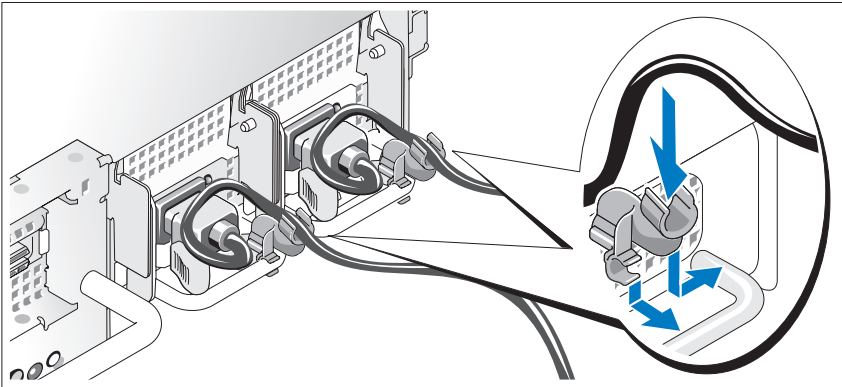
## Conexión de la alimentación



Conecte la alimentación del monitor (opcional) y del sistema, y conecte los cables de alimentación al sistema. Si el sistema tiene una tarjeta de expansión con un conector de salida de vídeo, *no* conecte el monitor al conector de vídeo integrado del sistema. En su lugar, conecte el cable del monitor al conector de la tarjeta de expansión.

Conecte el otro extremo del cable a una toma eléctrica con conexión a tierra o a otra fuente de energía, como por ejemplo un sistema de alimentación ininterrumpida (SAI) o una unidad de distribución de alimentación (PDU).

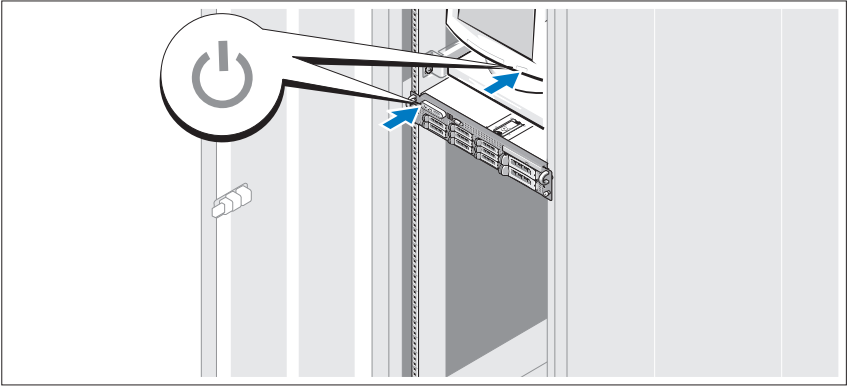
## Instalación del soporte de retención del cable de alimentación



Fije el soporte de retención del cable de alimentación en el codo derecho del asa de la fuente de alimentación. Doble el cable de alimentación del sistema en forma de bucle, tal como se muestra en la ilustración, y fíjelo a la abrazadera correspondiente del soporte. Repita el procedimiento para la segunda fuente de alimentación.

Conecte el otro extremo del cable de alimentación a una toma eléctrica con conexión a tierra o a otra fuente de energía, como por ejemplo un sistema de alimentación ininterrumpida (SAI) o una unidad de distribución de alimentación (PDU).

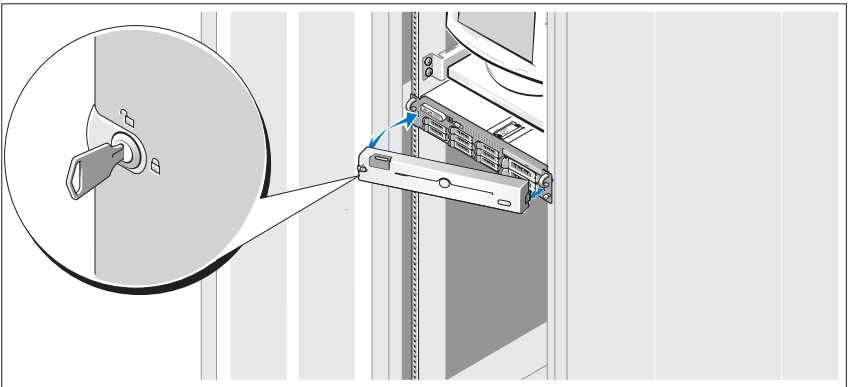
## Encendido del sistema



Encienda el sistema y el monitor (opcional).

Presione el botón de encendido del sistema y del monitor. Los indicadores luminosos de alimentación deberían encenderse. Ajuste los controles del monitor hasta que la imagen mostrada sea satisfactoria.

## Colocación del embellecedor



Instale el embellecedor (opcional).

## Finalización de la instalación del sistema operativo

Si ha adquirido un sistema operativo preinstalado, consulte la documentación del sistema operativo que se suministra con el sistema. Para instalar un sistema operativo por primera vez, consulte la *Guía de instalación rápida*. Asegúrese de que el sistema operativo está instalado antes de instalar hardware o software no adquirido con el sistema.

## Especificaciones técnicas

---

### Procesador

---

Tipo de procesador	Uno o dos procesadores Intel Xeon de doble núcleo 5000 Sequence.
--------------------	------------------------------------------------------------------

---

### Bus de expansión

---

Tipo de bus	PCI-X, PCIe
-------------	-------------

### Ranuras de expansión

Tarjeta vertical central:

PCIe	Una ranura x8 de media altura de 3,3 V (ranura 1)
------	---------------------------------------------------

Tarjeta vertical izquierda

Opción PCI-X:	Dos ranuras para tarjetas de altura y longitud completas de 3,3 V y 64 bits a 133 MHz (ranuras 2 y 3)
---------------	-------------------------------------------------------------------------------------------------------

Opción PCIe:	O bien: Una ranura x8 de altura completa de 3,3 V (ranura 2) y una ranura x4 de altura completa de 3,3 V (ranura 3)
--------------	------------------------------------------------------------------------------------------------------------------------

---

**Memoria**

---

Arquitectura	Módulos DIMM con búfer completo (FBD) a 533 o 667 MHz (cuando estén disponibles)
Zócalos de módulo de memoria	Ocho de 240 patas
Capacidades de módulo de memoria	256 MB, 512 MB, 1 GB, 2 GB o 4 GB
RAM mínima	512 MB (dos módulos de 256 MB)
RAM máxima	32 GB

---

**Unidades**

---

Unidades de disco duro	Hasta seis unidades internas de disco duro de 3,5 pulgadas y acoplamiento activo, de tipo SAS o SATA, sin compartimiento para soportes opcional, O bien: Hasta cuatro unidades internas de disco duro de 3,5 pulgadas y acoplamiento activo, de tipo SAS o SATA, con compartimiento para soportes opcional
Unidad de disquete	Una unidad opcional de 3,5 pulgadas y 1,44 MB Unidad USB externa opcional de 3,5 pulgadas y 1,44 MB
Unidad óptica	Una unidad IDE reducida opcional de CD, de DVD o de CD-RW/DVD combinada <b>NOTA:</b> los dispositivos de DVD son sólo de datos. Unidad de CD USB externa opcional
Unidad de cinta	Un dispositivo interno de copia de seguridad en cinta de media altura opcional
Unidad flash	Unidad USB externa opcional

---

**Conectores**

---

**Parte posterior**

NIC	Dos RJ-45 (para NIC de 1 GB integradas)
Serie	9 patas, DTE, compatible con 16550
USB	Dos de 4 patas compatibles con USB 2.0
Vídeo	VGA de 15 patas

**Parte frontal**

Vídeo	VGA de 15 patas
USB	Dos de 4 patas compatibles con USB 2.0

---

**Vídeo**

---

Tipo de vídeo	Controladora de vídeo ATI ES1000; conectores VGA
Memoria de vídeo	16 MB de SDRAM DDR

---

## Alimentación

---

### Fuente de alimentación de CA (por fuente de alimentación)

Potencia	750 W
Voltaje	85-264 V CA, autoajustable, 47-63 Hz
Disipación de calor	2 697 BTU/h (789,8 W) como máximo
Corriente de conexión máxima	En condiciones normales de línea y en todo el ambiente del rango operativo del sistema, la corriente de la conexión puede alcanzar los 55 A por cada fuente de alimentación durante 10 ms o menos.

### Baterías

Batería del sistema	Batería de tipo botón de litio-ion de 3,0 V CR2032
Batería RAID (opcional)	Litio-ion de 4,1 V

---

## Características físicas

---

### Rack

Altura	8,656 cm
Anchura	44,7 cm
Profundidad	75,68 cm
Peso (configuración máxima)	26,76 kg

---

## Especificaciones ambientales

---

**NOTA:** para obtener información adicional sobre medidas ambientales relativas a configuraciones de sistema específicas, visite la página web [www.dell.com/environmental\\_datasheets](http://www.dell.com/environmental_datasheets).

### Temperatura

En funcionamiento	De 10 °C a 35 °C con una gradación de temperatura máxima de 10 °C por hora
En almacenamiento	De -40 °C a 65 °C con una gradación de temperatura máxima de 20 °C por hora

### Humedad relativa

En funcionamiento	Del 20 al 80% (sin condensación) con una gradación de humedad máxima del 10% por hora
En almacenamiento	Del 5 al 95% (sin condensación) con una gradación de humedad máxima del 10% por hora

### Vibración máxima

En funcionamiento	0,25 G a 3-200 Hz durante 15 minutos
En almacenamiento	0,5 G a 3-200 Hz durante 15 minutos

### Impacto máximo

En funcionamiento	Un choque en el sentido positivo del eje z (un choque en cada lado del sistema) de 41 G durante un máximo de 2 ms
En almacenamiento	Seis choques ejecutados consecutivamente en el sentido positivo y negativo de los ejes x, y y z (un choque en cada lado del sistema) de 71 G durante un máximo de 2 ms

### Altitud

En funcionamiento	De -16 a 3 048 m
En almacenamiento	De -16 a 10 600 m

---