

# Split System Submittal Data



Building Life.

**System: 36TW72R Indoor/Outdoor: THW3672R/C3672R**  
**Ceiling Suspended Air Conditioner**

Job Name: \_\_\_\_\_  
 Location: \_\_\_\_\_  
 Engineer: \_\_\_\_\_  
 Submitted to: \_\_\_\_\_  
 Submitted by: \_\_\_\_\_  
 Reference: \_\_\_\_\_

Approval: \_\_\_\_\_  
 Date: \_\_\_\_\_  
 Construction: \_\_\_\_\_  
 Unit #: \_\_\_\_\_  
 Drawing #: \_\_\_\_\_



## General Data (at 230V)

Power	V/PH/Hz	230/208/1/60
Circuit Ampacity	(A)	15-35 Indoor-Outdoor
Fuse Size, Max.	(A)	15-35 Indoor-Outdoor

Compressor		DC Rotary Inverter
No. used		1
R.L. Amps - L.R.	(A)	16.4-17.5
Crankcase Heater	(W)	-

Outdoor Unit		Propeller
Fan type		Propeller
Dia. (in.) - No. Speeds		18-7/64-1
Type Drive - No. Speeds		Direct Inverter
No. Poles	(RPM)	8 - 830
No. Motors	(W)	1-90
CFM	(High)	1942
F.L. Amps	(A)	17.3

Coil Type		Aluminum Fin & Copper Pipe
Fin Type - Pipe Type		Slit Plate - Inner Rifled
Rows - F.P.I.		2-14.1
Face Area	(sq.ft.)	7.26
Tube Size	(in.)	3/8"

Indoor Unit		Centrifugal
Fan type		Centrifugal
Dia. & Length (in.) - No. Speeds		5-29/32 - 4
No. Speeds		3 & Auto
No. Poles	(RPM, High)	4-1040
No. Motors	(W)	1-100
CFM	(Hi/Med/Lo)	1100/930/750
Indoor Sound Rating	(Hi) (dB-A)	42
F.L. Amps	(A)	0.8

Coil Type		Aluminum Plate Fin & Copper Tube
Fin Type - Pipe Type		Slit Plate - Inner Rifled
Rows - F.P.I.		3-14.9
Face Area	(sq.ft.)	3.51
Tube Size	(in.)	9/32"
Drain Connection Size	(in.)	(1-1/4)

Refrigerant		R410A
Lbs. - R410a (outdoor unit)		6.17
Control		Electric Expansion Valve
Connection		Flare
Line Length, Max		165
Lift Difference, Max		50 (Outdoor lower), 100 (Outdoor higher)
Line Size	(in. O.D. Discharge)	3/8"
Line Size	(in. O.D. Suction)	5/8"

Dimensions	(in.)	H x W x D
Indoor Unit	(Uncrated)	9-7/16 x 62-1/32 x 26-3/8
	(Crated)	12-15/32 x 66-1/16 x 31-1/16
Outdoor Unit	(Uncrated)	30-23/32 x 37 x 13-3/8
	(Crated)	34-31/32 x 39-31/32 x 16-3/32

Weight	Indoor	Outdoor
Net	(lbs.) 84	143
Shipping	(lbs.) 97	161

Shipping Volume	Indoor	Outdoor
(cu.ft.)	14.8	13.0

## Performance Data @ ARI Standard Conditions (230/208V)

Cooling		
Total Capacity	(BTU/H)	31,200 (9,500-31,200)
Sensible Capacity	(BTU/H)	19,800
Latent Capacity	(BTU/H)	11,400
SEER		15.1
Dehumidification	(Pints/H)	10.0
Amps	(A)	18.2/20.1
Power Inputs	(W)	3,840/3,840
Outdoor Sound Rating	(dB-A)	52

# ➔➔➔ Dimensions

## Feature

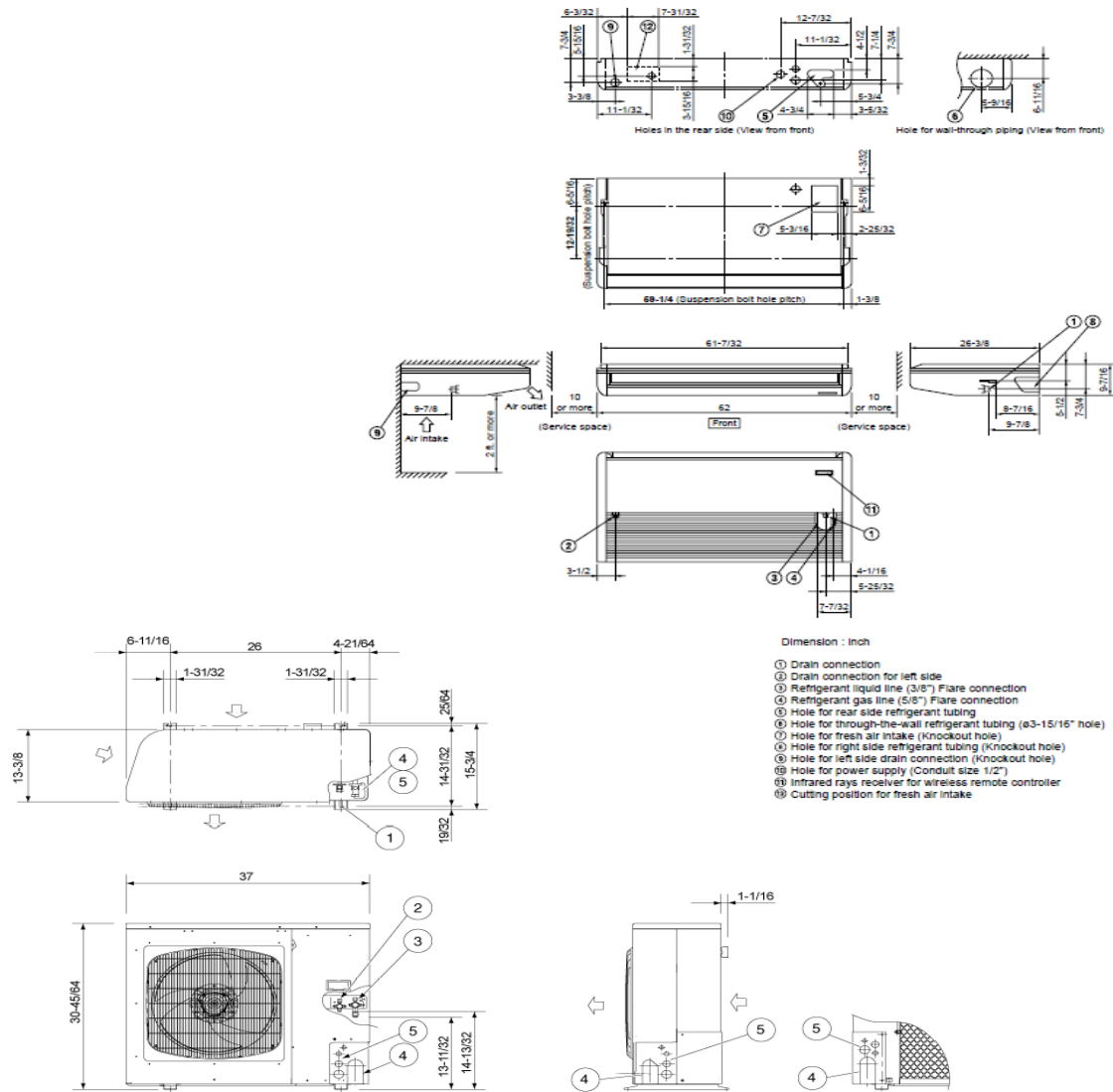
Controls		Microprocessor
Remote Controller	LCD Wired Type, Temp.	Sensor Built In
Temperature Control		IC Thermostat
Timer		72HR, ON/OFF
Night Setback		Built-In
Air Louver	(Horizontal)	Manual
	(Vertical)	Automatic
Power Failure Automatic Restart		Built-In
Self-Diagnosis		Built-In
Air Filter		Washable, Anti-Mold

## Option

Refrigerant Line Set	Available
Fresh Air Intake	Knock-Out
Condensate Drain Pump	Knock-Out
Wireless Remote Controller	Available
Non-Removeable Remo-con Bracket	Available

## Operating Range

		Indoor Air Intake Temp.	Outdoor Air Intake Temp.
Cooling	Maximum	95F DB/71F WB	115F DB
	Minimum	67F DB/57F WB	0F DB



①	Hole for anchor bolt (4-R6.5) / Anchor bolt: M10
②	Refrigerant tube joint (liquid line tube) • Flare connection 3/8 in (9.52 mm)
③	Refrigerant tube joint (gas line tube) • Flare connection 5/8 in (15.88 mm)
④	Refrigerant tubing inlet (knock-out hole)
⑤	Power supply inlet (knock-out hole φ38, φ29, φ19, φ16 mm)

