

Split System Submittal Data



Building Life.

System: 26TW72R Indoor/Outdoor: THW2672R/C2672R
Ceiling Suspended Air Conditioner

Job Name: _____
 Location: _____
 Engineer: _____
 Submitted to: _____
 Submitted by: _____
 Reference: _____

Approval: _____
 Date: _____
 Construction: _____
 Unit #: _____
 Drawing #: _____



General Data (at 230V)

Power	V/PH/Hz	230/208/1/60
Circuit Ampacity	(A)	15-30 Indoor-Outdoor
Fuse Size, Max.	(A)	15-30 Indoor-Outdoor

Compressor		DC Rotary Inverter
No. used		1
R.L. Amps - L.R.	(A)	12.9-17.5
Crankcase Heater	(W)	-

Outdoor Unit		
Fan type		Propeller
Dia. (in.) - No. Speeds		18-7/64-1
Type Drive - No. Speeds		Direct Inverter
No. Poles	(RPM)	8 - 800
No. Motors	(W)	1-90
CFM	(High)	1765
F.L. Amps	(A)	13.8

Coil Type		Aluminum Fin & Copper Pipe
Fin Type - Pipe Type		Slit Plate - Inner Rifled
Rows - F.P.I.		1-15.9
Face Area	(sq.ft.)	7.25
Tube Size	(in.)	3/8"

Indoor Unit		
Fan type		Centrifugal
Dia. & Length (in.) - No. Speeds		5-1/8 - 4
No. Speeds		3 & Auto
No. Poles	(RPM, High)	4-1179
No. Motors	(W)	1-31
CFM	(Hi/Med/Lo)	550/490/460
Indoor Sound Rating	(Hi) (dB-A)	39
F.L. Amps	(A)	0.5

Coil Type		Aluminum Fin & Copper Tube
Fin Type - Pipe Type		Slit Plate - Inner Rifled
Rows - F.P.I.		3-14.9
Face Area	(sq.ft.)	1.81
Tube Size	(in.)	9/32"
Drain Connection Size	(in.)	(1-1/4)

Refrigerant		R410A
Lbs. - R410a (outdoor unit)		4.19
Control		Electric Expansion Valve
Connection		Flare
Line Length, Max		165
Lift Difference, Max		50 (Outdoor lower), 100 (Outdoor higher)
Line Size	(in. O.D. Discharge)	3/8"
Line Size	(in. O.D. Suction)	5/8"

Dimensions	(in.)	H x W x D
Indoor Unit	(Uncrated)	7-17/32 x 51-3/16 x 26-3/8
	(Crated)	9-7/16 x 54-19/32 x 31-1/16
Outdoor Unit	(Uncrated)	30-23/32 x 37 x 13-3/8
	(Crated)	34-31/32 x 39-31/32 x 16-3/32

Weight		Indoor	Outdoor
Net	(lbs.)	57	128
Shipping	(lbs.)	68	148

Shipping Volume	(cu.ft.)	Indoor 8.9	Outdoor 13
-----------------	----------	------------	------------

Performance Data @ ARI Standard Conditions (230/208V)

Cooling		
Total Capacity	(BTU/H)	24,000 (9,500-24,400)
Sensible Capacity	(BTU/H)	14,330
Latent Capacity	(BTU/H)	10,070
SEER		14.5
Dehumidification	(Pints/H)	7.7
Amps	(A)	15.6/17.3
Power Inputs	(W)	2,880/2,880
Outdoor Sound Rating	(dB-A)	49

➔➔➔ Dimensions

Feature

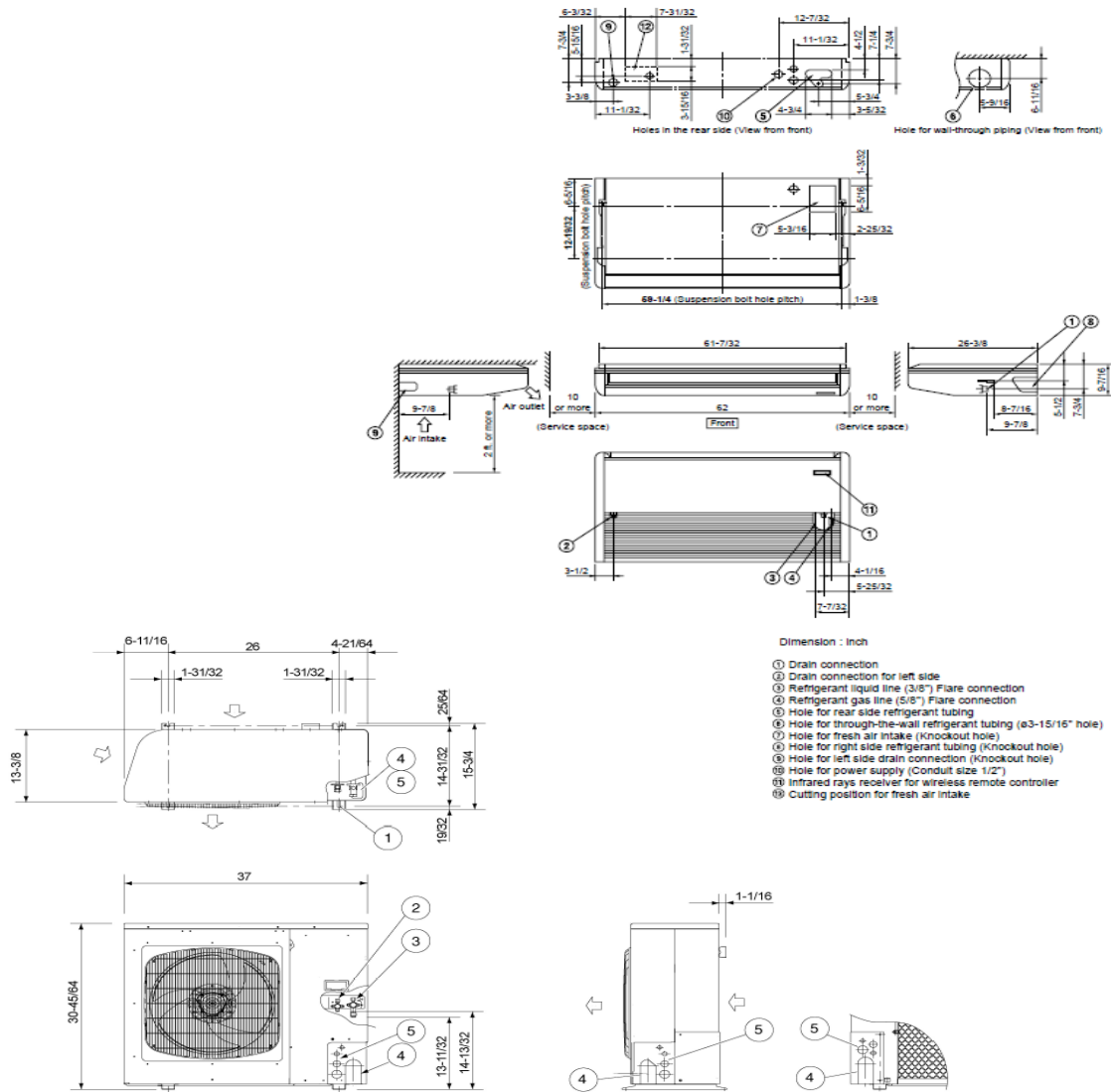
Controls		Microprocessor
Remote Controller	LCD Wired Type, Temp.	Sensor Built In
Temperature Control		IC Thermostat
Timer		72HR, ON/OFF
Night Setback		Built-In
Air Louver	(Horizontal)	Manual
	(Vertical)	Automatic
Power Failure Automatic Restart		Built-In
Self-Diagnosis		Built-In
Air Filter		Washable, Anti-Mold

Option

Refrigerant Line Set	Available
Fresh Air Intake	Knock-Out
Condensate Drain Pump	Available
Wireless Remote Controller	Available
Non-Removeable Remo-con Bracket	Available

Operating Range

		Indoor Air Intake Temp.	Outdoor Air Intake Temp.
Cooling	Maximum	95F DB/71F WB	115F DB
	Minimum	67F DB/57F WB	0F DB



- Dimension : Inch
- ① Drain connection
 - ② Drain connection for left side
 - ③ Refrigerant liquid line (3/8") Flare connection
 - ④ Refrigerant gas line (5/8") Flare connection
 - ⑤ Hole for rear side refrigerant tubing
 - ⑥ Hole for through-the-wall refrigerant tubing (ø3-15/16" hole)
 - ⑦ Hole for fresh air intake (Knockout hole)
 - ⑧ Hole for right side refrigerant tubing (Knockout hole)
 - ⑨ Hole for left side drain connection (Knockout hole)
 - ⑩ Hole for power supply (Conduit size 1/2")
 - ⑪ Infrared rays receiver for wireless remote controller
 - ⑫ Cutting position for fresh air intake

- Dimension : inch
- ① Hole for anchor bolt (4-R6.5) / Anchor bolt: M10
 - ② Refrigerant tube joint (liquid line tube) • Flare connection 3/8 in (9.52 mm)
 - ③ Refrigerant tube joint (gas line tube) • Flare connection 5/8 in (15.88 mm)
 - ④ Refrigerant tubing inlet (knock-out hole)
 - ⑤ Power supply inlet (knock-out hole) ø38, ø29, ø19, ø16 mm

