

Parts List



File No.

Air Conditioner

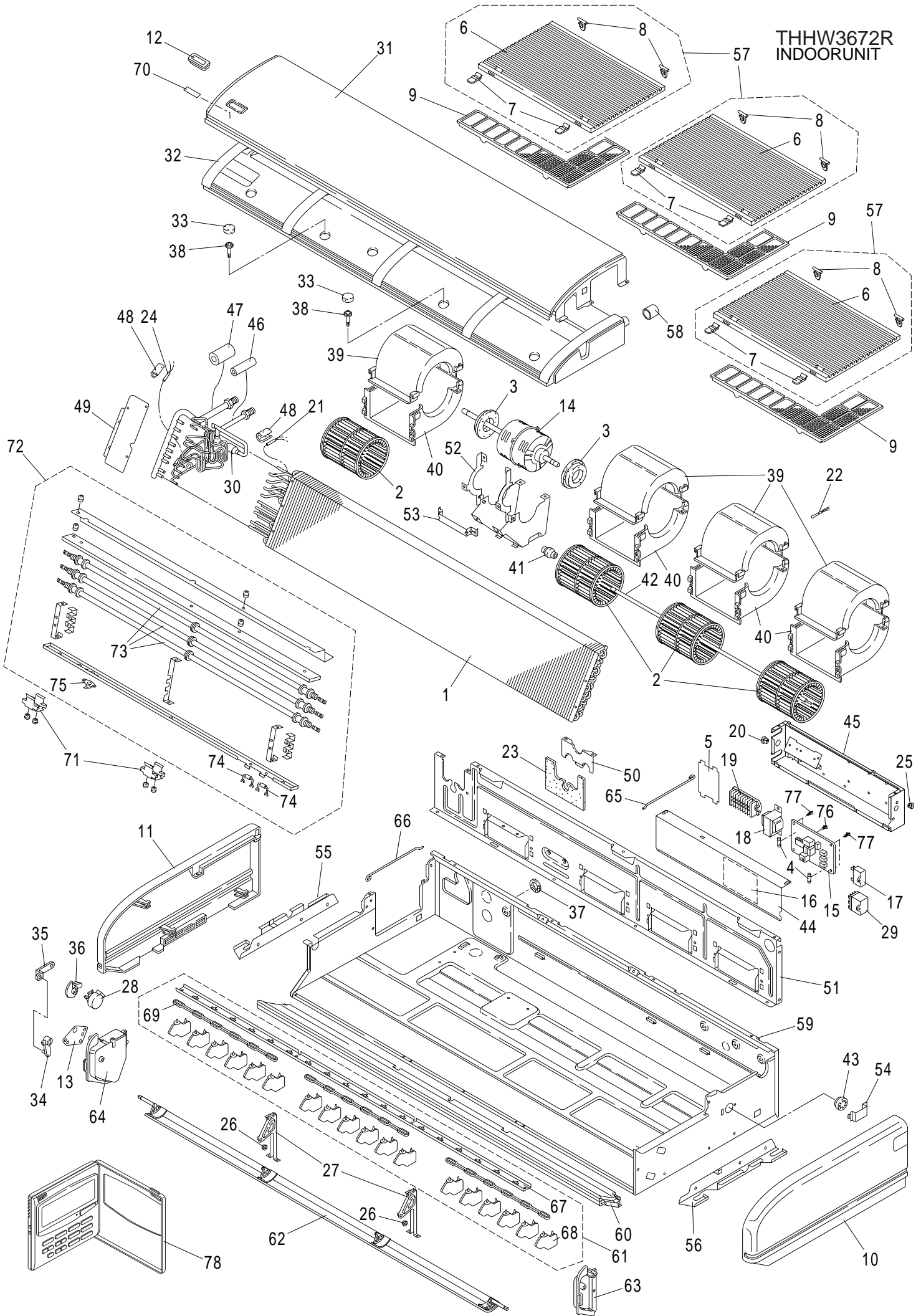
INDOOR UNIT
THHW3672R

Made in Japan

Model No.	Prod.Code	Volt-Phase-Hertz
THHW3672R	1 854 033 56	208-230-1-60

REFERENCE No.PL 833897

**THHW3672R
INDOORUNIT**



ATTENTION !

To ensure correct parts supply, please let us know followings,
when you make service parts order:

1.Part No. 2.Description 3.Q'ty 4.Volts-Hz-Ph 5.Product Model No.

THHW3672R
INDOOR UNIT

Key No.	Part No.	Description	Q'ty	Reference No.
* 1	623 301 0793	Heat Exch Ass'y	1	854-0-4124-58700
* 2	638 018 1070	Fan Ass'y	4	854-0-2501-24110
3	638 015 1486	Cushion Rubber	2	854-2-2534-17500
* 4	623 191 6783	Fuse MT3 5A	2	1FJ-4-S3A0-03900
5	623 184 7209	Cover UKT50-3+15S-2D	1	854-2-5376-00800
6	638 018 1124	Suction Grille	3	854-2-1104-16910
7	638 016 3601	Hook Plate	6	854-2-1130-23310
8	638 016 3618	Hook Plate	6	854-2-1130-23410
9	638 018 1131	Frame Filter Ass'y	3	854-0-1302-22910
10	638 018 1148	Side Panel	1	854-2-1102-55510
11	638 018 1155	Side Panel	1	854-2-1102-55610
12	623 192 0155	Ornamental Plate	1	854-2-1308-288H3
13	623 162 8402	Mounting Plate	1	854-2-5312-71001
* 14	638 018 1063	Fan Motor Ass'y KFG4X-101C6P	1	854-0-5202-22500
* 15	623 192 1572	Circuit Board Ass'y CR-TH2672	1	854-9-9536-05306
16	623 301 0779	Elec. Wiring Diagram	1	8FA-2-5250-18700
* 17	638 003 6653	Fixed Capacitor UPMDD-440V/5.0MF	1	4-2239-56165
* 18	623 160 8503	Transformer Ass'y ATR-IIK244B	1	854-0-5263-18900
* 19	638 016 3441	Terminal Base UKT50-3+15S-2J(A	1	1FJ-4-J3A0-06800
20	623 038 3425	Bushing OCB-875	1	851-2-5370-00900
* 21	623 160 8534	Thermistor Ass'y PBC-41E-S14	1	854-0-5259-51200
* 22	623 160 1306	Thermistor Ass'y KTEC-35-S6	1	854-0-5259-51000
23	638 018 1247	Insulation	1	854-2-2403-78410
* 24	623 160 8527	Thermistor Ass'y PBC-41E-S14	1	854-0-5259-51100
25	623 027 4990	Bushing	1	800-2-5337-17900
26	623 159 3243	Collar	2	854-2-2535-13600
27	638 015 4494	Support Louver	2	854-2-1111-25101
* 28	638 008 2063	Synchronized Motor MT8-3C	1	528-0-5000-00303
* 29	623 131 2547	Relay G7L-2A-TUB	1	4-2329-56722
30	623 070 9300	Strainer Ass'y	1	854-0-4522-10400
31	638 018 1186	Front Panel	1	854-2-1101-828H3
* 32	638 018 1117	Drain Pan Ass'y	1	854-0-2301-483H4
33	638 016 3786	Packing	2	854-2-2366-44210
34	638 015 0922	Shaft	1	854-2-1349-13900
35	638 015 0939	Rod	1	854-2-2329-12600
36	638 015 0946	Cam	1	854-2-2354-11100
37	638 016 3809	Cap	1	854-2-2346-14200
38	638 015 0953	Screw Special	2	854-2-1356-15401
39	638 018 1193	Blower Casing	4	854-2-2506-19110
40	638 018 1209	Blower Casing	4	854-2-2506-18910
41	638 015 1523	Boss Ass'y	1	854-0-2513-11900
42	638 015 1530	Shaft Ass'y	1	854-0-2518-10900
* 43	623 094 4466	Bearing Housing Ass'y	1	852-0-2510-12800
44	638 016 3700	Cover,Elec.Component Box	1	854-2-5304-48500
45	638 016 3717	Elec Component Box Ass'y	1	854-0-5301-73201
46	623 192 0247	Insulation Special	1	854-2-2411-32410
47	623 192 0193	Insulation Special	1	854-2-2411-15210
48	623 054 6073	Insulation Tube	2	852-2-4514-28600
49	623 170 0245	Mounting Plate,Evaporator	1	854-2-2303-30801
50	638 016 3731	Cover, Evaporator	1	854-2-2325-313H2

NOTE: Metal and plastic parts will be supplied basically with necessary heat insulation pads or packing. Each key number with an asterisk (*) means the recommended service parts.

ATTENTION !

To ensure correct parts supply, please let us know followings,
when you make service parts order:

1.Part No. 2.Description 3.Q'ty 4.Volts-Hz-Ph 5.Product Model No.

THHW3672R
INDOOR UNIT

Key No.	Part No.	Description	Q'ty	Reference No.
51	638 015 1578	Partition Plate, Blower	1	854-2-2505-18700
52	638 015 1585	Support Motor Ass'y	1	854-0-2511-24201
53	638 015 1080	Support Fan Motor	1	854-2-2516-29000
54	638 015 1097	Mounting Plate	1	854-2-2361-36901
55	638 015 0618	Hook Plate	1	854-2-1130-23501
56	638 015 0625	Hook Plate	1	854-2-1130-23601
57	623 192 0292	Suction Grille	3	854-2-1104-169H2
58	638 016 3779	Cap	1	854-2-4133-14910
59	623 192 0285	Cabinet Ass'y	1	854-9-9536-05302
60	623 192 0278	Top Panel Ass'y	1	854-9-9536-05301
61	623 192 0261	Support Louver	1	854-2-1111-254H2
62	623 192 0254	Air Guide Ass'y	1	854-0-1115-13610
63	638 018 1179	Side Cover Ass'y, Left	1	854-2-1107-406H2
64	638 018 1162	Side Cover Ass'y, Right	1	854-2-1108-397H2
65	638 015 1158	Wire	1	854-2-1310-27501
66	638 015 1141	Wire	1	854-2-1310-27401
67	623 159 3250	Support Louver	1	854-2-1111-25400
68	623 192 0940	Blade Louver	18	854-2-1110-22610
69	623 192 0957	Mounting Plate	3	854-2-1129-93210
70	623 125 7770	Badge	1	854-2-1354-22801
71	638 015 1165	Plate Mounting Ass'y	2	854-0-4121-11300
72	638 018 1254	Heater Ass'y AH-2.4THS3632	1	854-0-0052-02800
* 73	638 018 1049	Sheath Heater	3	1FJ-4-H1A0-00700
74	638 016 3557	Fuse Kstor Ass'y	2	854-0-5261-00700
* 75	638 015 0557	Bimetal Thermostat CS-12AL	1	1FJ-4-S4A0-00800
76	623 099 6052	Spacer SPSN-6	1	851-2-5366-04200
77	623 097 1677	Spacer SPLSN-6	4	851-2-5366-03800
* 78	623 301 0786	Remote Control Switch RCS-TM80BG	1	8FA-0-0051-08200

NOTE: Metal and plastic parts will be supplied basically
with necessary heat insulation pads or packing.
Each key number with an asterisk (*) means the
recommended service parts.

For Parts or Service Contact
SANYO HVAC SERVICE CENTER
SANYO Fisher Service Company
1165 Allgood Road, Suite 22, Marietta, GA 30062 U.S.A.
300 Applewood Crescent, Concord, Ontario, L4K 5C7, CANADA
2/07 Printed in Japan