

## Product Features

- Infrared sensor technology
- 6 V Lithium battery operated
- Built-in stop for cleaning
- Preset temperature
- 1.6 gpm

## Code Compliance

This unit meets or exceeds the following:

- ADA compliant

## Available Finishes

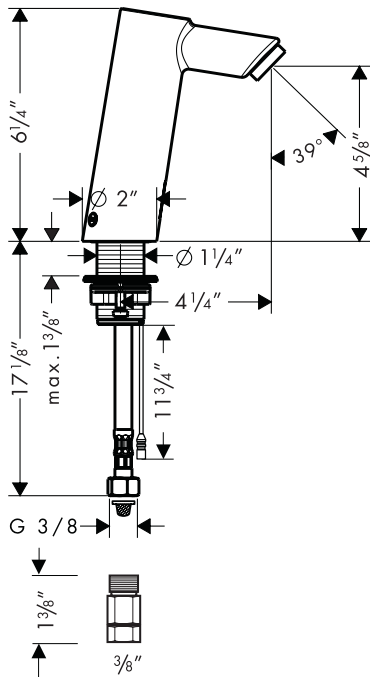
Chrome

32111001

## Optional Accessories

Grid drain

06400000



The measurements shown are for reference only.

Products and specifications shown are subject to change without notice.

Specification sheet revised 2/2008