

User Guide

Pocket UDD II

(PUDDEPU3 / PUDDSP / PUDDSP
PPROEPU3 / PPROESP / PPROES)

www.addonics.com

v6.1.11

Technical Support

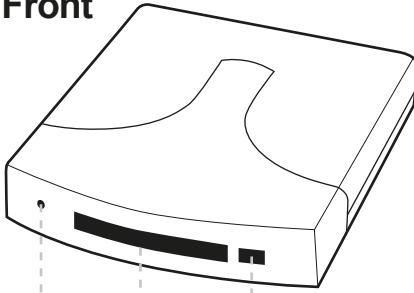
If you need any assistance to get your unit functioning properly, please have your product information ready and contact Addonics Technical Support at:

Hours: 8:30 am - 6:00 pm PST

Phone: 408-453-6212

Email: <http://www.addonics.com/support/query/>

Front

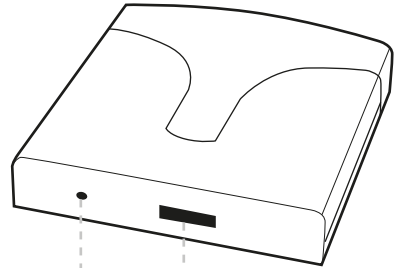


LED

Flash Media Slot

Eject Button

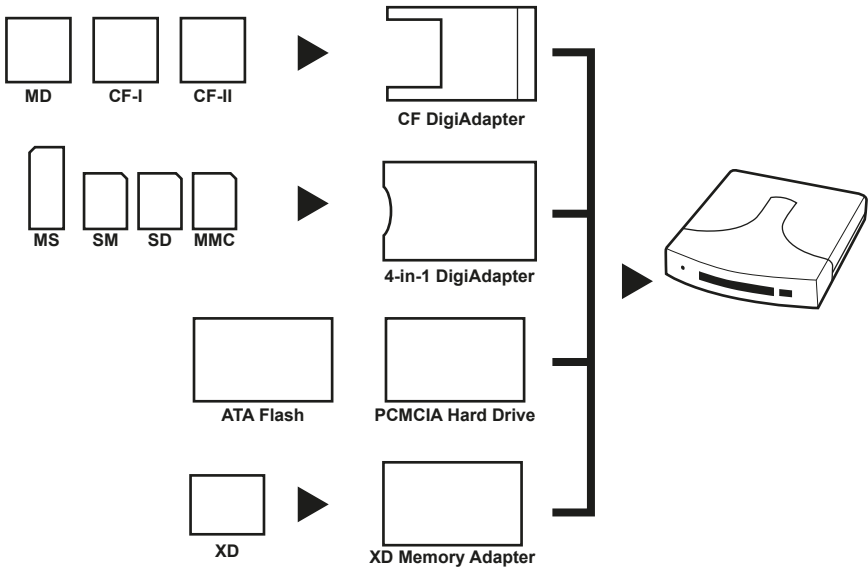
Back



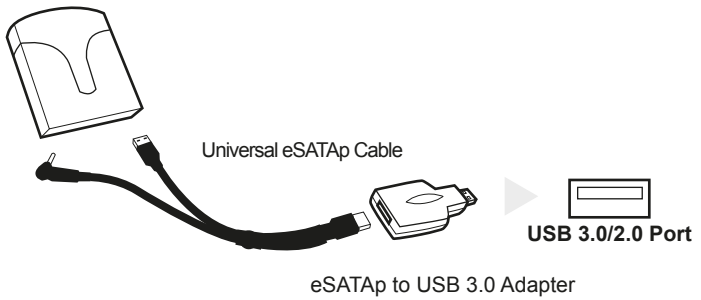
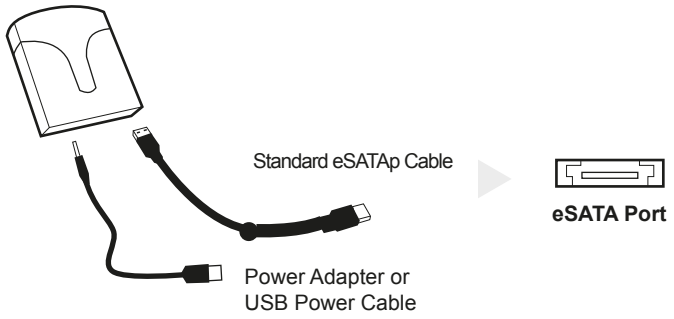
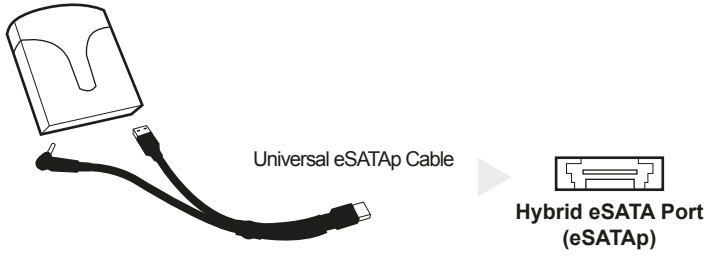
5V Power Input

eSATA Port

Any flash media below is compatible to use with the Pocket Ultra Digidrive II, using the optional Addonics CF DigiAdapter and 4-in-1 DigiAdapter or equivalent third party adapter.



Note: The Pocket UDD ii is not compatible with Wireless Broadband card, Panasonic P2 card, SRAM card and Linear Memory card.



Operation of the Pocket UDD II

A. Pocket UDD II is connected via USB.

1. Insert the media fully into the device using PCMCIA adapters and your operating system will report new hardware detected and begin to install the device. This may take a few seconds before a new drive icon appears in the My Computer folder. During this initialization, the LED light on the Pocket UDD II toggles between red and green color; and will stay green once the computer recognizes the media.
2. Once the drive icon appears, the media is now ready and can be used like regular floppy media.
3. During the read / write operation, the LED light of the Pocket UDD will blink red.
4. To remove the media, click on the Safe Remove icon to stop the connection as shown below. Once the "you may now safely remove window" shows up, you can then remove the media from the Pocket UDD II by pushing on the eject button.

Note: If you eject the media from the Pocket UDD without checking the Safe Remove icon, a warning message will appear from Windows 98SE, Me and 2000. This message is a reminder that it is safer to use the Safe Remove icon when you remove the media to prevent possible data loss in case you are in the middle of copying a file to and from the media. You can go ahead and close this message.

5. Do not pull the media out of the device without using the eject button. This may crash the computer, as it does not realize the media has been manually removed from the device.

B. Pocket UDD II is connected via eSATA

Note: Before connecting the Pocket UDD II, it is assumed that you have installed the drivers of the eSATA controller card. You do not need to install any third-party driver for the Pocket UDD II.

1. Insert the media fully into the device using PCMCIA adapters and your operating system will report new hardware detected and begin to install the device. This may take a few seconds before a new drive icon appears in the My Computer folder. During this initialization, the LED light on the Pocket UDD II toggles between red and green color; and will stay green once the computer recognizes the media.
2. Once the drive icon appears, the media is now ready and can be used like regular floppy media.
3. During the read / write operation, the LED light of the Pocket UDD will blink red.

CONTACT US

www.addonics.com

Phone: 408-573-8580

Fax: 408-573-8588

Email: <http://www.addonics.com/sales/query/>