

# ViewSonic®



---

## VP3D1 3D Video Processor User Guide

---

**IMPORTANT:** Please read this User Guide to obtain important information on installing and using your product in a safe manner, as well as registering your product for future service. Warranty information contained in this User Guide will describe your limited coverage from ViewSonic Corporation, which is also found on our web site at <http://www.viewsonic.com> in English, or in specific languages using the Regional selection box in the upper right corner of our website. "Antes de operar su equipo lea cu idadosamente las instrucciones en este manual"

---

# Compliance Information

## FCC Statement

This device complies with part 15 of FCC Rules. Operation is subject to the following two conditions: (1) this device may not cause harmful interference, and (2) this device must accept any interference received, including interference that may cause undesired operation.

This equipment has been tested and found to comply with the limits for a Class B digital device, pursuant to part 15 of the FCC Rules. These limits are designed to provide reasonable protection against harmful interference in a residential installation. This equipment generates, uses, and can radiate radio frequency energy, and if not installed and used in accordance with the instructions, may cause harmful interference to radio communications. However, there is no guarantee that interference will not occur in a particular installation. If this equipment does cause harmful interference to radio or television reception, which can be determined by turning the equipment off and on, the user is encouraged to try to correct the interference by one or more of the following measures:


- Reorient or relocate the receiving antenna.
- Increase the separation between the equipment and receiver.
- Connect the equipment into an outlet on a circuit different from that to which the receiver is connected.
- Consult the dealer or an experienced radio/TV technician for help.

**Warning:** You are cautioned that changes or modifications not expressly approved by the party responsible for compliance could void your authority to operate the equipment.

## For Canada

- This Class B digital apparatus complies with Canadian ICES-003.
- Cet appareil numérique de la classe B est conforme à la norme NMB-003 du Canada.

## CE Conformity for European Countries

 The device complies with the EMC Directive 2004/108/EC and Low Voltage Directive 2006/95/EC.

## Following information is only for EU-member states:

The mark is in compliance with the Waste Electrical and Electronic Equipment Directive 2002/96/EC (WEEE).

The mark indicates the requirement NOT to dispose the equipment including any spent or discarded batteries or accumulators as unsorted municipal waste, but use the return and collection systems available.

If the batteries, accumulators and button cells included with this equipment, display the chemical symbol Hg, Cd, or Pb, then it means that the battery has a heavy metal content of more than 0.0005% Mercury or more than, 0.002% Cadmium, or more than 0.004% Lead.



## Important Safety Instructions

1. Read these instructions.
2. Keep these instructions.
3. Heed all warnings.
4. Follow all instructions.
5. Do not use this unit near water.
6. Clean with a soft, dry cloth.
7. Do not block any ventilation openings. Install the unit in accordance with the manufacturer's instructions.
8. Do not install near any heat sources such as radiators, heat registers, stoves, or other devices (including amplifiers) that produce heat.
9. Do not defeat the safety purpose of the polarized or grounding-type plug. A polarized plug has two blades with one wider than the other. A grounding type plug has two blades and a third grounding prong. The wide blade and the third prong are provided for your safety. If the provided plug does not fit into your outlet, consult an electrician for replacement of the obsolete outlet.
10. Protect the power cord from being walked on or pinched particularly at plugs. Convenience receptacles and the point where they exit from the unit. Be sure that the power outlet is located near the unit so that it is easily accessible.
11. Only use attachments/accessories specified by the manufacturer.
12. Use only with the cart, stand, tripod, bracket, or table specified by the manufacturer, or sold with the unit. When a cart is used, use caution when moving the cart/unit combination to avoid injury from tipping over.
13. Unplug this unit when unused for long periods of time.
14. Refer all servicing to qualified service personnel. Servicing is required when the unit has been damaged in any way, such as: if the power-supply cord or plug is damaged, if liquid is spilled onto or objects fall into the unit, if the unit is exposed to rain or moisture, or if the unit does not operate normally or has been dropped.



# Declaration of RoHS Compliance

This product has been designed and manufactured in compliance with Directive 2002/95/EC of the European Parliament and the Council on restriction of the use of certain hazardous substances in electrical and electronic equipment (RoHS Directive) and is deemed to comply with the maximum concentration values issued by the European Technical Adaptation Committee (TAC) as shown below:

Substance	Proposed Maximum Concentration	Actual Concentration
Lead (Pb)	0,1%	< 0,1%
Mercury (Hg)	0,1%	< 0,1%
Cadmium (Cd)	0,01%	< 0,01%
Hexavalent Chromium (Cr6+)	0,1%	< 0,1%
Polybrominated biphenyls (PBB)	0,1%	< 0,1%
Polybrominated diphenyl ethers (PBDE)	0,1%	< 0,1%

Certain components of products as stated above are exempted under the Annex of the RoHS Directives as noted below:

Examples of exempted components are:

1. Mercury in compact fluorescent lamps not exceeding 5 mg per lamp and in other lamps not specifically mentioned in the Annex of RoHS Directive.
2. Lead in glass of cathode ray tubes, electronic components, fluorescent tubes, and electronic ceramic parts (e.g. piezoelectronic devices).
3. Lead in high temperature type solders (i.e. lead-based alloys containing 85% by weight or more lead).
4. Lead as an alloying element in steel containing up to 0.35% lead by weight, aluminium containing up to 0.4% lead by weight and as a copper alloy containing up to 4% lead by weight.

## Copyright Information

Copyright © ViewSonic® Corporation, 2011. All rights reserved.

ViewSonic®, the three birds logo, On View®, ViewMatch™, and ViewMeter® are registered trademarks of ViewSonic® Corporation.

Disclaimer: ViewSonic® Corporation shall not be liable for technical or editorial errors or omissions contained herein; nor for incidental or consequential damages resulting from furnishing this material, or the performance or use of this product.

In the interest of continuing product improvement, ViewSonic® Corporation reserves the right to change product specifications without notice. Information in this document may change without notice.

No part of this document may be copied, reproduced, or transmitted by any means, for any purpose without prior written permission from ViewSonic® Corporation.

## Product Registration

To meet your future needs, and to receive any additional product information as it becomes available, please register your product on the Internet at: [www.viewsonic.com](http://www.viewsonic.com).

### For Your Records

<b>Product Name:</b>	VP3D1 ViewSonic 3D Video Processor
<b>Model Number:</b>	VS13964
<b>Document Number:</b>	VP3D1_UG_ENG Rev. 1A 01-27-11
<b>Serial Number:</b>	_____
<b>Purchase Date:</b>	_____

### Product disposal at end of product life

ViewSonic respects the environment and is committed to working and living green. Thank you for being part of Smarter, Greener Computing. Please visit ViewSonic website to learn more.

USA & Canada: <http://www.viewsonic.com/company/green/recycle-program/>

Europe: <http://www.viewsoniceurope.com/uk/support/recycling-information/>

Taiwan: <http://recycle.epa.gov.tw/recycle/index2.aspx>

# CONTENTS

<b>Introduction</b> .....	<b>2</b>
Features .....	2
Package Contents .....	2
<b>Product Overview</b> .....	<b>3</b>
Front View .....	3
Rear View .....	3
<b>LED Indicators</b> .....	<b>4</b>
<b>Connection</b> .....	<b>4</b>
Connecting Video source devices .....	5
<b>Using the 3D Video Processor</b> .....	<b>6</b>
PlayStation® 3 Games .....	6
3D Blu-ray™ Player .....	6
3D TV (e.g. SKY 3D) .....	6
3D Device (e.g. 3D DV/DC) with 2D 1080i side by side signal output .....	6
Operation .....	7
<b>Specifications</b> .....	<b>8</b>
<b>Timing chart</b> .....	<b>8</b>
Supported timing for 3D video input .....	8
Computer Compatibility .....	8
<b>Troubleshooting</b> .....	<b>9</b>

# Introduction

## Features

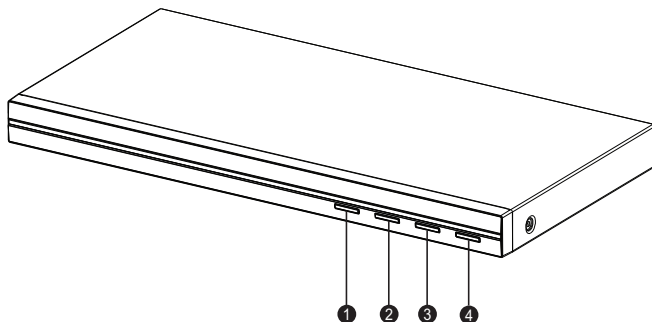
- Convert 3D video from several popular formats for display on DLP-Link 3D ready projectors.
- Automatically identify 3D input signal from 3D Blu-ray™ Disc Player and convert it to 720p 120Hz.
- Compatible with HDMI 1.4a 3D formats including side-by-side, etc.
- Pass 2D images unaltered for normal display
- Manually convert side-by-side 3D signal by pressing SBS Mode button.
- Environmental conditions:
  - Temperature:
    - Operating: 5°C ~ 35°C (41°F ~ 104°F)
    - Non-operating: -20°C ~ 60°C (-4°F ~ 140°F)
  - Altitude:
    - Operating: Sea level to 16,000 feet
    - Non-operating: Sea Level to 30,000 feet

## Package Contents

- 3D Video Processor
- Power plug and power adapter
- HDMI cable
- ViewSonic CD Wizard
- Quick Start Guide

# Product Overview

## Front View



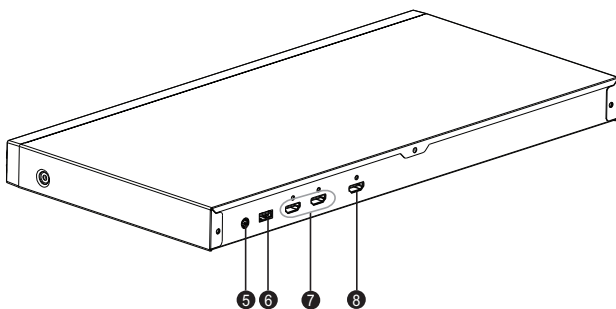
❶ SBS (Side-By-Side) Mode button

❷ HDMI 2 button

❸ HDMI 1 button

❹ POWER button

## Rear View



❺ DC power input

❻ Service

❼ HDMI in 1 / HDMI in 2

❽ HDMI out (to projector)



# LED Indicators

Power LED is red.

SBS MODE LED is blue when this feature is selected.

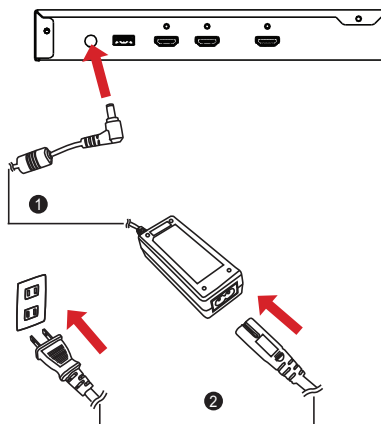
HDMI 1 LED is blue when this input source is selected and detected.

HDMI 2 LED is blue when this input source is selected and detected.

Status	Power LED (Red)	SBS MODE (Blue)	HDMI 1 (Blue)	HDMI 2 (Blue)
Standby state (Input power cord)	Off	Off	Off	Off
HDMI 1 input source (Default)	Steady light	Off	Steady light	Off
HDMI 2 input source	Steady light	Off	Off	Steady light
HDMI 1 input source & SBS mode enable	Steady light	Steady light	Steady light	Off
Power on & HDMI 2 input source & SBS mode enable	Steady light	Steady light	Off	Steady light

## Connection

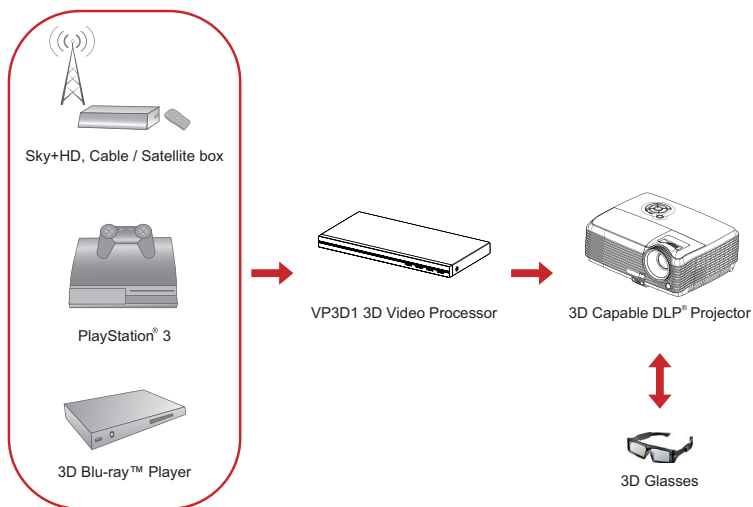
### Connecting the AC adapter



① AC adapter

② Power cord

## Connecting Video source devices



# Using the 3D Video Processor

Once you have connected your devices together with HDMI cables, as shown in the diagram, you are ready to begin. Power ON your 3D video source, 3D Video Processor and your 3D projector.(\*)

Note \*: The 3D video source device must be powered on before the 3D Video Processor.

## PlayStation® 3 Games

1. Make sure that you have updated your console to the latest software version in PlayStation® 3.
2. Go to the "Settings menu → Display settings → Video output → HDMI".

## 3D Blu-ray™ Player

1. Make sure that your player can support 3D Blu-ray™ disc and that 3D output is enabled.
2. Insert the 3D Blu-ray™ disc into the player, press "Play".

## 3D TV (e.g. SKY 3D)

1. Contact your TV service provider to enable any 3D channels on your channel package.
2. Once enabled, switch to the 3D channel. - You should see two images side-by-side.
3. Press the "SBS Mode" button on the front of the 3D Video Processor.(\*)

Note \*: If input video is normal 2D, please press SBS mode to "Off".

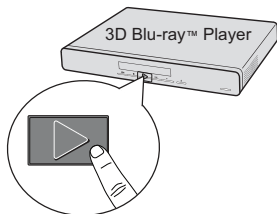
## 3D Device (e.g. 3D DV/DC) with 2D 1080i side by side signal output

1. Connect your 3D device and switch to out 3D content with 2D side-by-side output to 3D Video Processor. You should see two images side-by-side.
2. Press the "SBS Mode" button on the front of the 3D Video Processor.
3. When you see "3D" in the top right hand corner of the screen, enable your projector's 3D mode, turn on your 3D glasses and put them on.
4. If necessary, use your projector's 3D Sync-Invert option to optimize your 3D experience. The option is located in the "Display" section of the projector OSD menu.

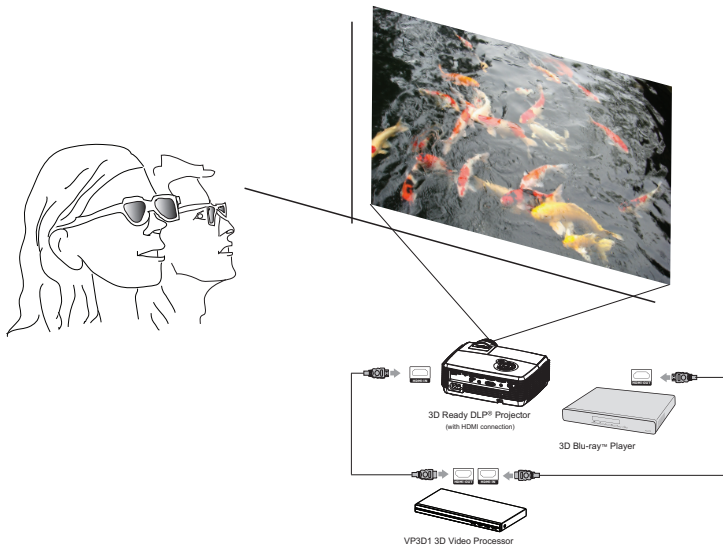
Note: If input video is normal 2D, please press SBS mode to "Off". If SBS mode is active, 2D video content will not display correctly.

## Operation

1. Connect your VP3D1 3D Video Processor to a 3D Blu-ray™ Player using a HDMI cable.
2. Connect your VP3D1 3D Video Processor to a 3D Ready DLP® projector using another HDMI cable.
3. Turn on your sources (3D Blu-ray™ Player, VP3D1 3D Video Processor and 3D Ready DLP® projector).
4. Press the “PLAY” button on the player.



5. Make sure the power of the 3D glasses is on.
6. Wear the 3D glasses, and then enjoy your 3D experience!



# Specifications

Native 3D output resolution	HD Ready 720p/120Hz
Maximum output resolution	Full HD 1080P
Inputs	2x HDMI 1.4a (HDCP) - audio supported USB type A for firmware update
Outputs	1x HDMI 1.3 (HDCP) - audio supported
2D video compatibility	PAL SECAM 576i/p, NTSC 480i/p, HD 720p/1080i/1080p
Power supply (AC adapter)	AC 100-240 V, 50 - 60 Hz, 3.0A
Power consumption	10W (<1W standby)
Dimension (W x D x H)	430 x 210 x 36 mm
Weight	1.3kg ( 2.9lb)
Note: Design and Specifications are subject to change without prior notice.	

## Timing chart

### Supported timing for 3D video input

Signal mode	Resolution (H x V)	Vertical Frequency (Hz)	3D format type
720p	1280 x 720	50Hz	Frame packing
720p	1280 x 720	50Hz	Top-and-Bottom
720p	1280 x 720	60Hz	Frame packing
720p	1280 x 720	60Hz	Top-and-Bottom
1080i	1920 x 1080	60Hz	Side-by-Side (Half)
1080i	1920 x 1080	50Hz	Side-by-Side (Half)
1080p	1920 x 1080	24Hz	Frame packing
1080p	1920 x 1080	24Hz	Top-and-Bottom

## Computer Compatibility

Computer Input Resolutions	Computer Output Resolutions
640 x 480 @ 60Hz	640 x 480 @ 60Hz
800 x 600 @ 60Hz	800 x 600 @ 60Hz
1024 x 768 @ 60Hz	1024 x 768 @ 60Hz
1280 x 720 @ 60Hz	1280 x 720 @ 60Hz
1280 x 800 @ 60Hz	1280 x 800 @ 60Hz
1280 x 1024 @ 60Hz	1280 x 1024 @ 60Hz
1400 x 1050 @ 60Hz	1400 x 1050 @ 60Hz
1440 x 900 @ 60Hz	1440 x 900 @ 60Hz
1680 x 1050 @ 60Hz	1680 x 1050 @ 60Hz
1600 x 1200 @ 60Hz	1600 x 1200 @ 60Hz
1920 x 1080 @ 60Hz	1920 x 1080 @ 60Hz

# Troubleshooting

- No image appears on screen.
  1. Ensure all the cables and power connections are correctly and securely connected as described in the "Connection" section.
  2. Ensure all the pins of connectors are not bent or broken.
  3. Make sure you have powered on all the devices.
- Blurry double image.
  1. Press "SBS Mode" button to "Off" to avoid normal 2D image is blurry double image.
  2. Two images, side-by-side format.
  3. Press "SBS Mode" button to "On" for input signal is HDMI 1.3 2D 1080i side-by-side.
- Pseudo-3D Image or uncomfortable depth of field inside the image.
  1. Use you projector's "3D Sync. Invert" option.
- Image does not display in 3D.
  1. Check if the battery of 3D glasses is drained.

# Customer Support

For technical support or product service, see the table below or contact your reseller.

**NOTE:** You will need the product serial number.

Country/Region	Website	T = Telephone F = FAX	Email
Australia/New Zealand	www.viewsonic.com.au	AUS= 1800 880 818 NZ= 0800 008 822	service@au.viewsonic.com
Canada	www.viewsonic.com	T (Toll-Free)= 1-866-463-4775 T (Toll)= 1-424-233-2533 F= 1-909-468-3757	service.ca@viewsonic.com
Europe	www.viewsoniceurope.com	www.viewsoniceurope.com/uk/support/call-desk/	
Hong Kong	www.hk.viewsonic.com	T= 852 3102 2900	service@hk.viewsonic.com
India	www.in.viewsonic.com	T= 1800 11 9999	service@in.viewsonic.com
Ireland (Eire)	www.viewsoniceurope.com/uk/	www.viewsoniceurope.com/uk/ support/call-desk/	service_ie@viewsoniceurope.com
Korea	www.kr.viewsonic.com	T= 080 333 2131	service@kr.viewsonic.com
Latin America (Argentina)	www.viewsonic.com/la/	T= 0800-4441185	soporte@viewsonic.com
Latin America (Chile)	www.viewsonic.com/la/	T= 1230-020-7975	soporte@viewsonic.com
Latin America (Columbia)	www.viewsonic.com/la/	T= 01800-9-157235	soporte@viewsonic.com
Latin America (Mexico)	www.viewsonic.com/la/	T= 001-8882328722	soporte@viewsonic.com
Renta y Datos, 29 SUR 721, COL. LA PAZ, 72160 PUEBLA, PUE. Tel: 01.222.891.55.77 CON 10 LINEAS Electroser, Av Reforma No. 403Gx39 y 41, 97000 Mérida, Yucatán. Tel: 01.999.925.19.16 Other places please refer to <a href="http://www.viewsonic.com/la/soporte/index.htm#Mexico">http://www.viewsonic.com/la/soporte/index.htm#Mexico</a>			
Latin America (Peru)	www.viewsonic.com/la/	T= 0800-54565	soporte@viewsonic.com
Macau	www.hk.viewsonic.com	T= 853 2870 0303	service@hk.viewsonic.com
Middle East	ap.viewsonic.com/me/	Contact your reseller	service@ap.viewsonic.com
Puerto Rico & Virgin Islands	www.viewsonic.com	T= 1-800-688-6688 (English) T= 1-866-379-1304 (Spanish) F= 1-909-468-3757	service.us@viewsonic.com soporte@viewsonic.com
Singapore/Malaysia/ Thailand	www.ap.viewsonic.com	T= 65 6461 6044	service@sg.viewsonic.com
South Africa	ap.viewsonic.com/za/	Contact your reseller	service@ap.viewsonic.com
United Kingdom	www.viewsoniceurope.com/uk/	www.viewsoniceurope.com/uk/ support/call-desk/	service_gb@viewsoniceurope.com
United States	www.viewsonic.com	T (Toll-Free)= 1-800-688-6688 T (Toll)= 1-424-233-2530 F= 1-909-468-3757	service.us@viewsonic.com

# Limited Warranty

## VIEWSONIC® 3D Video Processor

### What the warranty covers:

ViewSonic warrants its products to be free from defects in material and workmanship, under normal use, during the warranty period. If a product proves to be defective in material or workmanship during the warranty period, ViewSonic will, at its sole option, repair or replace the product with a like product. Replacement product or parts may include remanufactured or refurbished parts or components.

### How long the warranty is effective:

ViewSonic 3D Video Processor are warranted for 1 year for all parts excluding the light source and 1 year for labor from the date of the first customer purchase.

### Who the warranty protects:

This warranty is valid only for the first consumer purchaser.

### What the warranty does not cover:

1. Any product on which the serial number has been defaced, modified or removed.
2. Damage, deterioration or malfunction resulting from:
  - a. Accident, misuse, neglect, fire, water, lightning, or other acts of nature, unauthorized product modification, or failure to follow instructions supplied with the product.
  - b. Any damage of the product due to shipment.
  - c. Removal or installation of the product.
  - d. Causes external to the product, such as electrical power fluctuations or failure.
  - e. Use of supplies or parts not meeting ViewSonic's specifications.
  - f. Normal wear and tear.
  - g. Any other cause which does not relate to a product defect.
3. Any product exhibiting a condition commonly known as "image burn-in" which results when a static image is displayed on the product for an extended period of time.
4. Removal, installation, one way transportation, insurance, and set-up service charges.

### How to get service:

1. For information about receiving service under warranty, contact ViewSonic Customer Support (Please refer to Customer Support page). You will need to provide your product's serial number.
2. To obtain warranty service, you will be required to provide (a) the original dated sales slip, (b) your name, (c) your address, (d) a description of the problem, and (e) the serial number of the product.
3. Take or ship the product freight prepaid in the original container to an authorized ViewSonic service center or ViewSonic.
4. For additional information or the name of the nearest ViewSonic service center, contact ViewSonic.



**Limitation of implied warranties:**

There are no warranties, express or implied, which extend beyond the description contained herein including the implied warranty of merchantability and fitness for a particular purpose.

**Exclusion of damages:**

ViewSonic's liability is limited to the cost of repair or replacement of the product. ViewSonic shall not be liable for:

1. Damage to other property caused by any defects in the product, damages based upon inconvenience, loss of use of the product, loss of time, loss of profits, loss of business opportunity, loss of goodwill, interference with business relationships, or other commercial loss, even if advised of the possibility of such damages.
2. Any other damages, whether incidental, consequential or otherwise.
3. Any claim against the customer by any other party.
4. Repair or attempted repair by anyone not authorized by ViewSonic.

**Effect of state law:**

This warranty gives you specific legal rights, and you may also have other rights which vary from state to state. Some states do not allow limitations on implied warranties and/or do not allow the exclusion of incidental or consequential damages, so the above limitations and exclusions may not apply to you.

**Sales outside the U.S.A. and Canada:**

For warranty information and service on ViewSonic products sold outside of the U.S.A. and Canada, contact ViewSonic or your local ViewSonic dealer.

The warranty period for this product in mainland China (Hong Kong, Macao and Taiwan Excluded) is subject to the terms and conditions of the Maintenance Guarantee Card.

For users in Europe and Russia, full details of warranty provided can be found in [www.viewsoniceurope.com](http://www.viewsoniceurope.com) under Support/Warranty Information.

4.3: ViewSonic 3D Video Processor

3DVP\_LW01 Rev. 1a 02-11-09

