

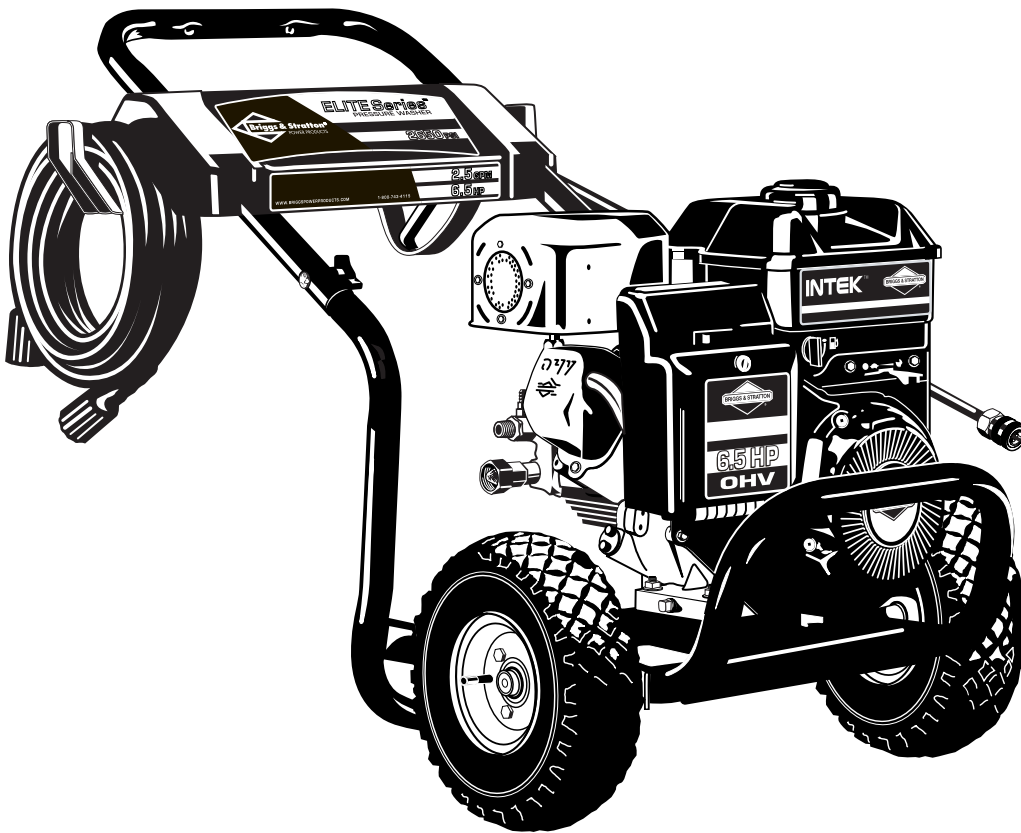


**ELITE Series™**

# Pressure Washer Lavador a Presión

Owner's Manual  
Manual del Propietario

Model 01806 Shown



**01805  
(2500 PSI)**

**01806  
(2650 PSI)**

**01936  
(2550 PSI)**

Questions? Help is just a moment away!

Preguntas? La ayuda es justa un momento lejos!

Call: **Pressure Washer Helpline - 1-800-743-4115 M-F 8-5 CT**

Llame: **Línea Directa del Lavador a Presión - 1-800-743-4115 M-F 8-5 CT**

**BRIGGS & STRATTON POWER PRODUCTS GROUP, LLC  
JEFFERSON, WISCONSIN, U.S.A.**

Manual No. 191678GS  
Revision I (03/03/2003)





## TABLE OF CONTENTS

Safety Rules..... 2-3  
 Assembly..... 4-7  
 Operation..... 8-10  
 Maintenance..... 11-14  
 Storage..... 14  
 Notes..... 15  
 Troubleshooting..... 16  
 Warranty..... 17

## EQUIPMENT DESCRIPTION

**Read this manual carefully and become familiar with your pressure washer. Know its applications, its limitations and any hazards involved.**

Every effort has been made to ensure that information in this manual is accurate and current. However, we reserve the right to change, alter or otherwise improve the product and this document at any time without prior notice.

In the State of California a spark arrester is required by law (Section 4442 of the California Public Resources Code). Other states may have similar laws. Federal laws apply on federal lands. If you equip the muffler with a spark arrester, it must be maintained in effective working order.

## SAFETY RULES

**This is the safety alert symbol. It is used to alert you to potential personal injury hazards. Obey all safety messages that follow this symbol to avoid possible injury or death.**

The safety alert symbol () is used with a signal word (DANGER, CAUTION, WARNING), a pictorial and/or a safety message to alert you to hazards. **DANGER** indicates a hazard which, if not avoided, will result in death or serious injury. **WARNING** indicates a hazard which, if not avoided, could result in death or serious injury. **CAUTION** indicates a hazard which, if not avoided, might result in minor or moderate injury. **CAUTION**, when used **without** the alert symbol, indicates a situation that could result in equipment damage. Follow safety messages to avoid or reduce the risk of injury or death.

**WARNING**

**The engine exhaust from this product contains chemicals known to the State of California to cause cancer, birth defects, or other reproductive harm.**

## Hazard Symbols and Meanings

Toxic Fumes	Electrical Shock	
Slippery Surface	Fall	Fluid Injection
Fire	Explosion	Hot Surface
Moving Parts	Flying Objects	Kickback

**SAFETY RULES**

## Pressure Washer

**! DANGER**

Running engine gives off carbon monoxide, an odorless, colorless, poison gas.

Some chemicals or detergents may be harmful if inhaled or ingested, causing severe nausea, fainting or poisoning.

Breathing carbon monoxide will cause nausea, fainting or death.

- Operate pressure washer **ONLY** outdoors.
- Use a respirator or mask whenever there is a chance that vapors may be inhaled.
- Read all instructions with mask so you are certain the mask will provide the necessary protection against inhaling harmful vapors.

**! WARNING**

Spray contact with electrical wiring can result in electrocution.

- Keep water spray away from electric wiring or fatal electric shock may result.

**! WARNING**

Use of pressure washer can create puddles and slippery surfaces.



High pressure spray could cause you to fall if you are too close to the cleaning surface.

- Keep spray nozzle between 8 to 24 inches away from cleaning surface.
- Operate this unit on a stable surface.
- The cleaning area should have adequate slopes and drainage to reduce the possibility of a fall due to slippery surfaces.
- Be extremely careful if you must use the pressure washer from a ladder, scaffolding or any other relatively unstable location.
- Firmly grasp spray gun with both hands when using high pressure spray to avoid injury if gun kicks back.

**! WARNING**

Fuel and its vapors are extremely flammable and explosive.



Fire or explosion can cause severe burns or death.

**WHEN ADDING FUEL**

- Turn pressure washer **OFF** and let it cool at least 2 minutes before removing gas cap.
- Fill fuel tank outdoors.
- **DO NOT** overfill tank. Allow space for fuel expansion.
- Keep fuel away from sparks, open flames, pilot lights, heat, and other ignition sources.
- **DO NOT** light a cigarette or smoke.

**WHEN OPERATING EQUIPMENT**

- **DO NOT** tip engine or equipment at angle which causes fuel to spill.
- **DO NOT** spray flammable liquids.

**WHEN TRANSPORTING OR REPAIRING EQUIPMENT**

- Transport/repair with fuel tank **EMPTY** or with fuel shutoff valve **OFF**.

**WHEN STORING FUEL OR EQUIPMENT WITH FUEL IN TANK**

- Store away from furnaces, stoves, water heaters, clothes dryers or other appliances that have pilot light or other ignition source because they can ignite fuel vapors.


**! WARNING**


The high pressure stream of water that this equipment produces can pierce skin and its underlying tissues, leading to serious injury and possible amputation.

- **NEVER** aim spray gun at people, animals or plants.
- **DO NOT** allow **CHILDREN** to operate pressure washer.
- **NEVER** repair high pressure hose. Replace it.
- Keep high pressure hose connected to pump and spray gun while system is pressurized.



**! WARNING**

 Running engines produce heat and hot exhaust gases. Temperature of muffler and nearby areas can reach or exceed 150°F (65°C).

 Fire or severe burns can occur.


- DO NOT touch hot surfaces.
- Stay clear of exhaust gases.
- Allow equipment to cool before touching.

**! WARNING**

 Starter and other rotating parts can entangle hands, hair, clothing, or accessories.


- DO NOT wear loose clothing, jewelry or anything that may be caught in the starter or other rotating parts.
- Tie up long hair and remove jewelry.


**! WARNING**

 High pressure spray can cause paint chips or other particles to become airborne.

- Always wear eye protection when using this equipment or in vicinity of where equipment is in use.

**! WARNING**

 Unintentional sparking can result in fire or electric shock.



**WHEN ADJUSTING OR MAKING REPAIRS TO YOUR PRESSURE WASHER**

- Disconnect spark plug wire from spark plug and place wire where it cannot contact spark plug.

**! CAUTION**

Excessively high or low operating speeds increase risk of injury and damage to pressure washer.

- DO NOT tamper with governed speed.
- DO NOT operate pressure washer above rated pressure.

**! CAUTION**

A pressure washer produces a high pressure spray which increases risk of injury and damage to unit.

- DO NOT secure spray gun in open position.
- DO NOT leave spray gun unattended while machine is running.
- NEVER use a spray gun which does not have a trigger lock or trigger guard in place and in working order.
- Always be certain spray gun, nozzles and accessories are correctly attached.

**CAUTION**

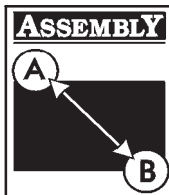
High pressure spray may damage fragile items including glass.

- DO NOT point spray gun at glass when in jet spray mode.
- NEVER aim spray gun at plants.

**CAUTION**

Improper treatment of pressure washer can damage it and shorten its life.

- If you have questions about intended use, ask dealer or contact Briggs & Stratton Power Products.
- NEVER operate units with broken or missing parts, or without protective housing or covers.
- DO NOT by-pass any safety device on this machine.
- Before starting pressure washer in cold weather, check all parts of the equipment to be sure ice has not formed there.
- NEVER move machine by pulling on high pressure hose. Use handle provided on unit.
- Check fuel system for leaks or signs of deterioration, such as chafed or spongy hose, loose or missing clamps, or damaged tank or cap. Correct all defects before operating pressure washer.
- This equipment is designed to be used with Briggs & Stratton Power Products authorized parts **ONLY**. If equipment is used with parts that DO NOT comply with minimum specifications, user assumes all risks and liabilities.



## ASSEMBLY

**IMPORTANT:** Read entire owner's manual before you attempt to assemble or operate your new pressure washer.

### Remove Pressure Washer From Carton

1. Remove the parts bag, accessories, and inserts included with pressure washer.
2. Slice two corners at the end of carton from top to bottom so the panel can be folded down flat.
3. Remove pressure washer from carton.

## PREPARING PRESSURE WASHER FOR USE

If you have any problems with the assembly of your pressure washer or if parts are missing or damaged, call the pressure washer helpline at **1-800-743-4115**. If calling for assistance, please have the model, revision, and serial number from the data tag available.

#### Perform these tasks to prepare unit for operation:

- Attach the handle to the main unit.
- Add oil to the engine.
- Add fuel to the fuel tank.
- Connect the high pressure hose to the spray gun and the pump.
- Connect the water supply to the pump.
- Connect nozzle extension to spray gun.
- Select and install desired nozzle (if applicable).

### Attach Handle to Unit

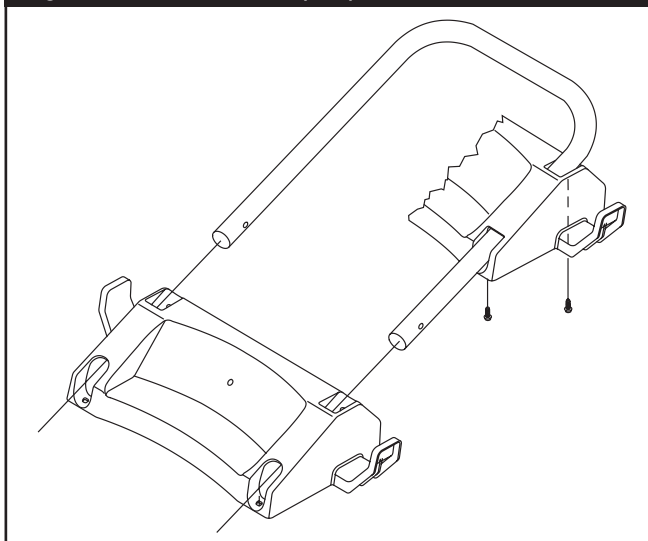
This manual describes assembly and use of three models (01805, 01806 and 01936). Please see the appropriate section for the handle instruction specific to your model.

#### To attach handle with accessory tray (Models 01805 and 01806):

**NOTE:** All assembly operations given in this section will be described from the perspective of assembling the pressure washer from the rear.

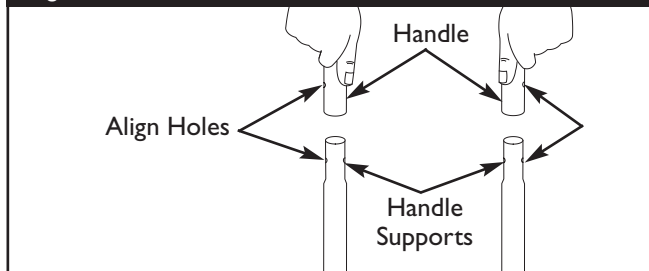
1. Slide plastic accessory tray onto handle and align holes in accessory tray with holes on handle (Figure 1).

Figure 1 — Attach Accessory Tray

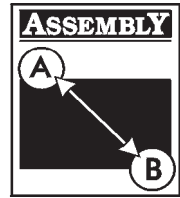


2. Secure tray to handle with self tapping screws using a #2 phillips screwdriver. Ensure screws are tight but not crushing the plastic accessory tray.
3. Place handle assembly onto handle supports connected to main unit. Make sure holes in handle align with holes on handle supports (Figure 2).

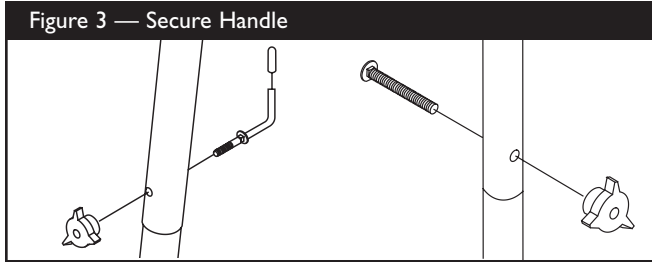
Figure 2 — Attach Handle to Base



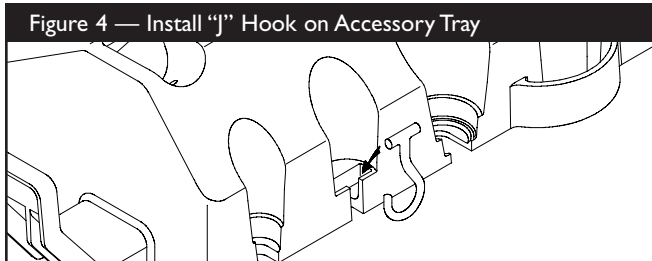
**NOTE:** It may be necessary to move handle supports from side to side in order to align handle so it will slide over handle supports.



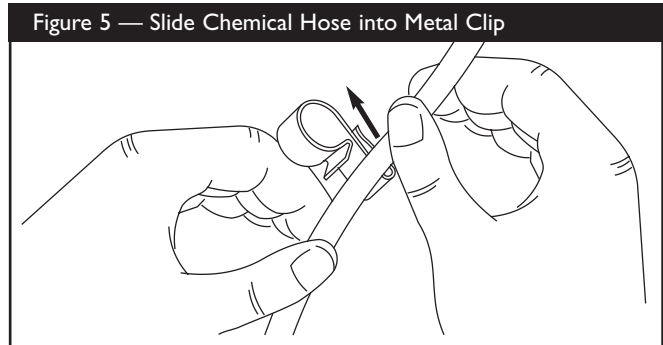
4. Insert "L" bolt through hole on left side of handle (viewing from rear of unit) and attach plastic knob. Tighten knob by hand (Figure 3).



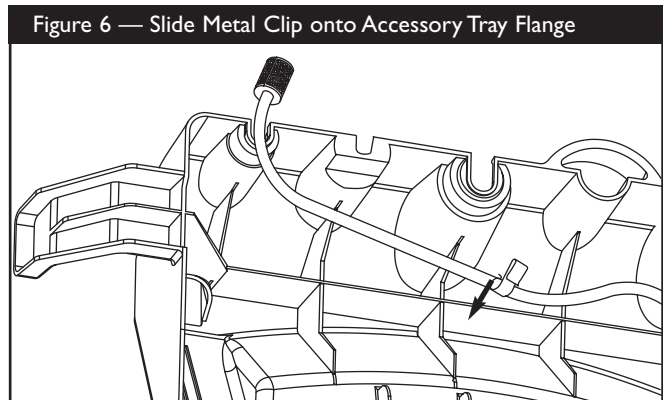
5. Insert carriage bolt through right side hole from outside of unit and attach plastic knob from inside of unit (viewing from rear of unit). Tighten by hand (Figure 3).
6. Insert "J" hook into second from left slot in accessory tray (Figure 4).

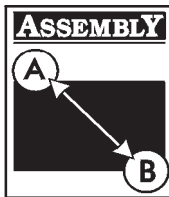


7. Pinch chemical hose and slide it into metal clip as shown in Figure 5.



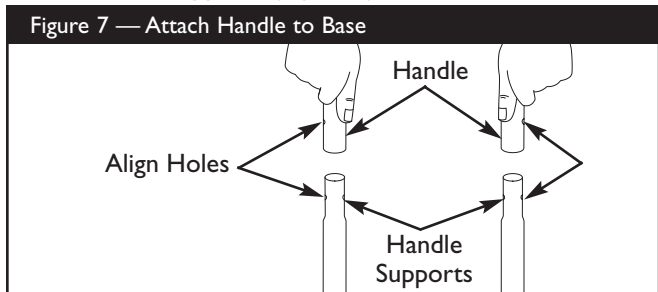
8. Tilt unit up by handle and attach metal clip to rib on center underside of accessory tray (Figure 6). Slide chemical hose through metal clip so that it is tight but not kinked.





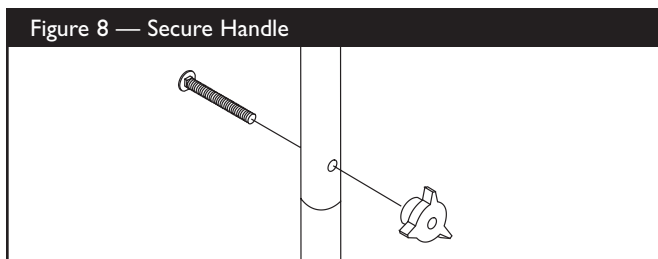
**To attach handle supplied with two “L” hooks (Model 01936):**

1. Place handle assembly onto handle supports connected to main unit. Make sure holes in handle align with holes on handle supports (Figure 7).

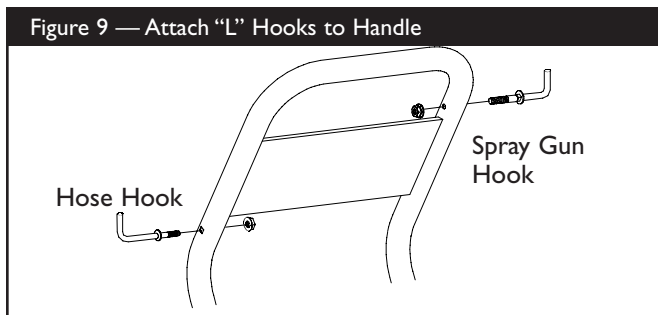


**NOTE:** It may be necessary to move the handle supports from side to side in order to align the handle so it will slide over the handle supports.

2. Insert carriage bolts through holes from outside of the unit and attach a plastic knob from inside of unit (Figure 8). Tighten by hand.



3. Insert one “L” hook through hole just under billboard on left side of handle (viewing from rear of unit). Hold hook in place with pliers and attach locknut with 7/16” wrench (Figure 9).



4. Insert other “L” hook through hole just above billboard on right side of handle (viewing from rear of unit). Hold hook in place with pliers and attach locknut with 7/16” wrench (Figure 9).

**Add Engine Oil**

**IMPORTANT:** Any attempt to crank or start the engine before it has been properly serviced with the recommended oil may result in an engine failure.

- Place pressure washer on a level surface.
- Refer to engine owners manual to add recommended oil to engine.

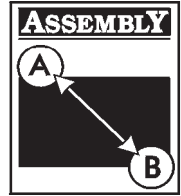
**NOTE: Check Oil Often During Engine Break-in.**

**Add Fuel**

**WARNING!** NEVER fill fuel tank indoors. NEVER fill fuel tank when engine is running or hot. Allow unit to cool for two minutes before refueling. DO NOT light a cigarette or smoke when filling the fuel tank.

**WARNING!** DO NOT overfill the fuel tank. Always allow room for fuel expansion.

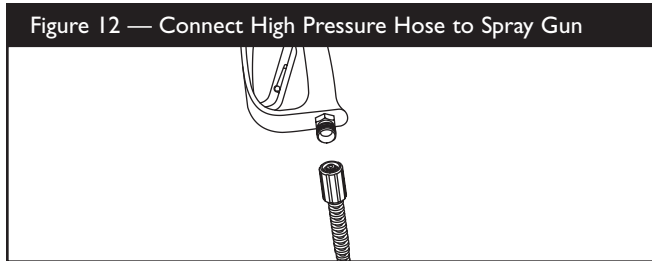
- Place pressure washer on a level surface.
- Refer to engine owners manual to add recommended fuel to engine.



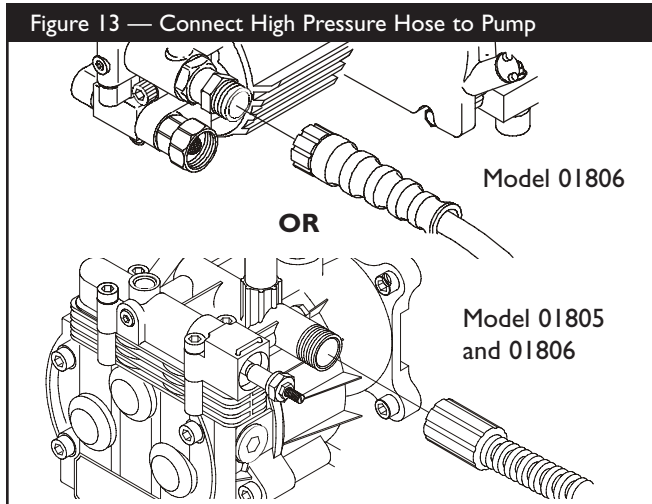
## Connect Hose and Water Supply to Pump

**IMPORTANT:** To avoid pump damage, you must assemble the nozzle extension to the spray gun and attach all hoses before you start the engine.

1. Uncoil high pressure hose and attach one end of hose to base of spray gun (Figure 12). Tighten by hand.



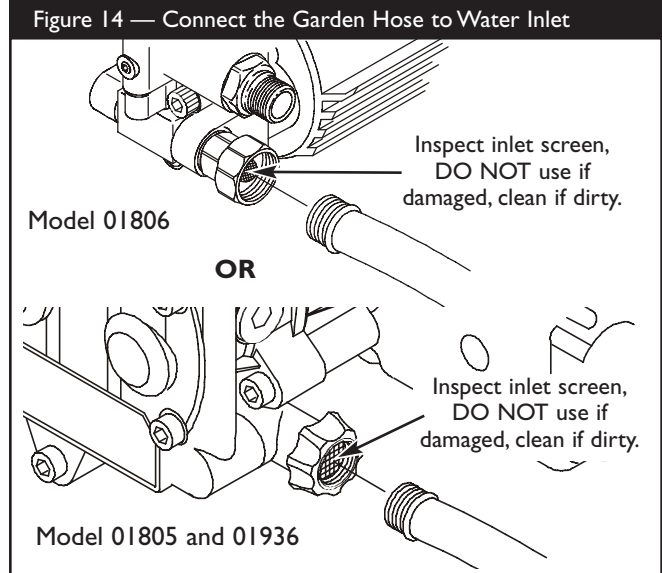
2. Attach other end of high pressure hose to high pressure outlet on pump (Figure 13). Tighten by hand.



3. Before connecting garden hose to water inlet, inspect inlet screen (Figure 14). Clean screen if it contains debris or replace if damaged. Refer to “O-Ring Maintenance” section on page 13 if inlet screen is damaged. **DO NOT** run pressure washer if inlet screen is damaged.
4. Run water through your garden hose for 30 seconds to clean out any debris.

**IMPORTANT:** **DO NOT** siphon standing water for the water supply. Use **ONLY** cold water (less than 100°F).

5. Connect garden hose (not to exceed 50 feet in length) to water inlet. Tighten by hand (Figure 14).



**CAUTION!** There **MUST** be at least ten feet of unrestricted garden hose between the pressure washer inlet and any flow shut off device, such as a ‘Y’ shut-off connector or other convenience-type water shut-off valve. Damage to pressure washer resulting from disregarding this warning will not be covered by the warranty.

6. Turn **ON** water and squeeze trigger on gun to purge pump system of air and impurities.

**CAUTION!** Before starting the pressure washer, be sure you are wearing adequate eye protection.

## CHECKLIST BEFORE STARTING ENGINE

Review the unit’s assembly to ensure you have performed all of the following.

1. Make sure handle is in place and secure.
2. Check that oil has been added to proper level in engine crankcase.
3. Add proper fuel to fuel tank.
4. Check for properly tightened hose connections.
5. Check to make sure that there are no kinks, cuts, or damage to the high pressure hose.
6. Provide a proper water supply at an adequate flow.
7. Be sure to read “Safety Rules” and “How To Use Your Pressure Washer” before using the pressure washer.





## HOW TO USE YOUR PRESSURE WASHER

If you have any problems operating your pressure washer, please call the pressure washer helpline at **1-800-743-4115**.

### How to Start Pressure Washer

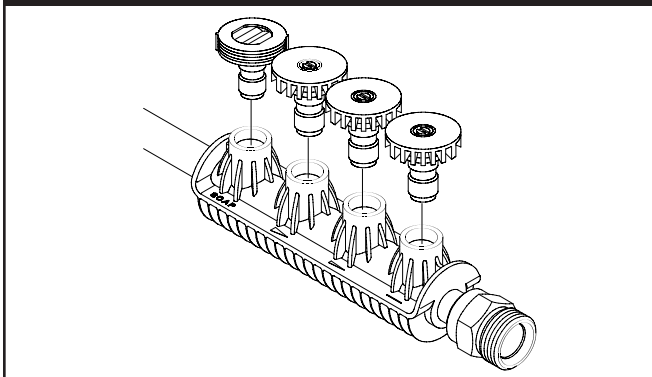
To start your pressure washer for the first time, follow these instructions step-by-step. This starting information also applies if you have let the pressure washer sit idle for at least a day.

1. Place pressure washer near an outside water source capable of supplying water at a flow rate greater than 1.0 gallons per minute more than pressure washer is rated for and no less than 20 PSI at pressure washer end of garden hose.
2. Check that high pressure hose is tightly connected to spray gun and pump. See “Preparing Pressure Washer for Use” for illustrations.
3. Make sure unit is in level position.
4. Connect garden hose to water inlet on pressure washer pump. **Turn ON water.**

**CAUTION!** DO NOT run the pump without the water supply connected and turned on. You must follow this caution or the pump will be damaged.

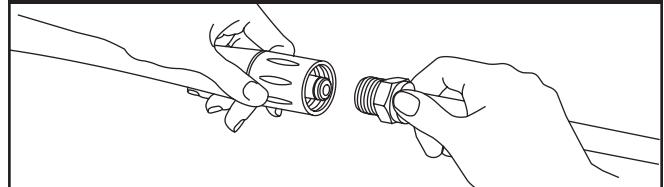
5. Squeeze spray gun trigger until a steady stream of water occurs.
6. For models 01806 and 01936, place quick connect spray tips in slots on the holder attached to nozzle extension (Figure 15).

Figure 15 — Install Spray Tips in Holder



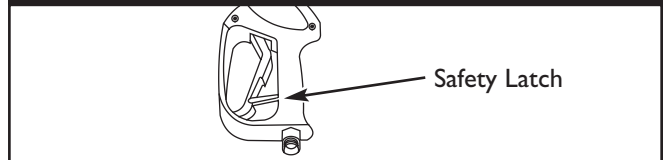
7. On all models, attach nozzle extension to spray gun (Figure 16). Tighten by hand.

Figure 16 — Connect Nozzle Extension to Spray Gun



8. Engage safety latch to spray gun trigger (Figure 17).

Figure 17 — Spray Gun with Safety Latch Engaged



9. Start engine according to instructions given in engine owner's manual.



### CAUTION

Avoid injury from kickback.

- Squeeze trigger on spray gun each time recoil starter is pulled and engine fails to start.

**NOTE:** Always keep the throttle lever in the “Fast” position when operating the pressure washer.

### How to Stop Pressure Washer

1. Let engine idle for two minutes.
2. Turn engine off according to instructions given in engine owner's manual.
3. **Squeeze trigger on spray gun to relieve pressure in hose.**

**NOTE:** A small amount of water will squirt out when pressure is released.

## HOW TO USE NOZZLES

You now should know how to **START** your pressure washer and how to **STOP** it. This section tells you how to adjust the spray pattern.



**WARNING!** NEVER adjust spray pattern when spraying. NEVER put hands in front of nozzle to test spray pattern.

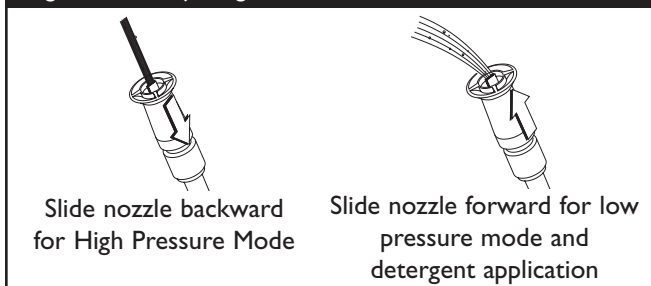


## If Unit is Equipped with Adjustable Nozzle

If your pressure washer is equipped with an adjustable nozzle (Model 01805 (2500 PSI)), adjust the spray pattern and spray pressure as follows:

1. Slide nozzle forward to obtain low pressure mode (Figure 18). Slide nozzle backward to achieve high pressure.

Figure 18 — Adjusting Nozzle for Pressure



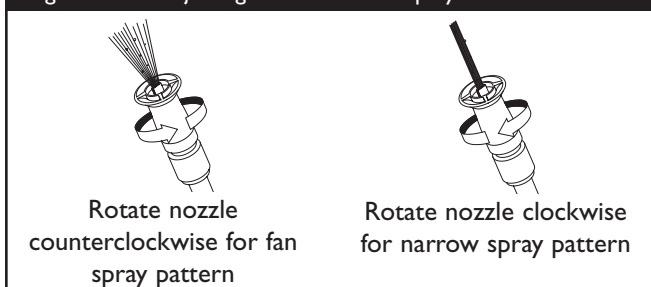
2. Point nozzle towards firm surface and press trigger to test spray pattern (Figure 19).

Figure 19 — Testing the Spray Pattern



3. Twisting nozzle adjusts spray pattern from narrow pattern to fan pattern (Figure 20).

Figure 20 — Adjusting the Nozzle for Spray Pattern



4. For most effective cleaning, keep spray nozzle from 8 to 24 inches away from cleaning surface.
5. DO NOT get closer than 6 inches when cleaning automobile tires.

## If Unit is Equipped with Quick-Connect Spray Tips

**CAUTION!** NEVER exchange nozzles without locking the safety latch on the trigger.

**NOTE:** Model 01805 (2500 PSI) is NOT equipped with quick connect spray tips.

The nozzle extension quick-connect allows the use of several different spray tips. Each spray tip provides a different spray pattern.

**Follow these instructions to change spray tips:**

1. Engage safety latch on spray gun.
2. Pull back collar on quick-connect and pull current spray tip off.
3. Select desired spray tip:
  - For gentle rinse, select white 40° spray tip.
  - To scour surface, select yellow 15° or red 0° spray tip.
  - To apply chemical, select black spray tip.
4. Pull back on collar, insert new spray tip and release collar. Tug on spray tip to make sure it is securely in place.
5. For most effective cleaning, keep spray tip from 8 to 24 inches away from cleaning surface. DO NOT get closer than 6 inches when cleaning automobile tires.

## Cleaning and Applying Chemical

**IMPORTANT:** Use soaps designed specifically for pressure washers. Household detergents could damage the pump.

**To apply detergent follow these steps:**

1. Review the use of nozzles.
2. Prepare detergent solution as required by manufacturer.
3. Place chemical injection siphon/filter into detergent container.


**CAUTION!** Keep the chemical injection tube from coming in contact with the hot muffler.

- 4A. For model 01805, slide adjustable nozzle forward to low pressure mode. Detergent cannot be applied with nozzle in high pressure position.
- 4B. For models 01806 and 01936, make sure black spray tip is installed. Detergent cannot be applied with high pressure quick-connect spray tips (White, Yellow, or Red).




5. Apply detergent to a dry surface, starting at lower portion of area to be washed and work upward, using long, even, overlapping strokes. **DO NOT** allow detergent to dry on (prevents streaking).
6. Allow detergent to soak in between 3–5 minutes before washing and rinsing. Reapply as needed to prevent surface from drying.

### Pressure Washer Rinsing

 **WARNING!** Be extremely careful if you must use the pressure washer from a ladder, scaffolding or any other relatively unstable location. When you press the trigger, the recoil from the initial spray can be very strong. The high pressure spray could cause you to fall if you are too close to the cleaning surface.

After you have applied detergent, scour the surface with the high pressure water stream and then rinse it clean, as follows:

1. Apply safety latch to spray gun.
2. Slide nozzle backwards or insert high pressure quick connect spray tip to place pressure washer in high pressure mode. Chemical will not flow when in high pressure mode.
3. Keep spray gun a safe distance from spray area.
4. Disengage safety latch on spray gun.

 **CAUTION!** Firmly grasp spray gun with both hands when using high pressure spray to avoid injury if gun kicks back.

5. Expand spray pattern or select white 40° quick connect spray tip for a more gentle rinsing action. Start at top of area to be rinsed, working down with same action as for cleaning.

**CAUTION!** Test a small area of the surface to be cleaned. Make sure there is no damage caused by the high pressure spray.

### Cleaning Detergent Siphoning Tube

1. Place chemical injection siphon/filter in bucket full of clean water.
2. Attach black low pressure spray tip or slide adjustable nozzle forward to low pressure mode.
3. Flush for 1-2 minutes.

### Automatic Cool Down System (Thermal Relief)

If you run the engine on your pressure washer for 3-5 minutes without pressing the trigger on the spray gun, circulating water in the pump can reach temperatures above 125°F. The system engages to cool the pump by **discharging the warm water onto the ground.**



## GENERAL MAINTENANCE RECOMMENDATIONS

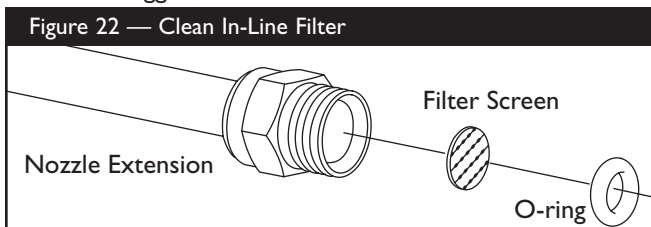
The pressure washer warranty does not cover items that have been subjected to operator abuse or negligence. To receive full value from the warranty, the operator must maintain the pressure washer as instructed in this manual.

- Some adjustments will need to be made periodically to properly maintain your pressure washer.
- All maintenance in this manual and the engine owner's manual should be made at least once each season.
- If equipped with inflatable tires, keep the air pressure at the value marked on the tire or within 15 and 40 psi.

## PRESSURE WASHER MAINTENANCE

### Check In-Line Filter

Refer to Figure 22 and service the in-line filter if it becomes clogged, as follows:



1. Detach spray gun and nozzle extension from high pressure hose. Detach nozzle extension from spray gun and remove o-ring and screen from nozzle extension. Flush screen, spray gun, and nozzle extension with clean water to clear debris.
2. If screen is damaged, the o-ring kit contains a replacement in-line filter screen and an o-ring. If undamaged, reuse screen.

3. Place in-line filter screen into threaded end of nozzle extension. Direction does not matter. Push the screen in with eraser end of pencil until it rests flat at bottom of opening. Take care to not bend screen.
4. Place o-ring into threaded end of extension. Push o-ring snugly against in-line filter screen.
5. Assemble nozzle extension to spray gun, as described earlier in this manual.

### Check and Clean Inlet Screen

Examine the screen on the water inlet. Clean it if the screen is clogged or replace it if screen is damaged.

### Check High Pressure Hose

The high pressure hose can develop leaks from wear, kinking, or abuse. Inspect the hose each time before using it. Check for cuts, leaks, abrasions or bulging of cover, damage or movement of couplings. If any of these conditions exist, replace the hose immediately.

**WARNING!** NEVER repair a high pressure hose. Replace it with another hose that exceeds the maximum pressure rating of your pressure washer.

### Check Chemical Injection Hose

Examine the filter on the detergent tube and clean if clogged. The tube should fit tightly on the barbed fitting. Examine the tube for leaks or tears. Replace the filter or tube if either is damaged.

### Check Gun and Nozzle Extension

Examine the hose connection to the spray gun and make sure it is secure. Test the trigger by pressing it and making sure it "springs back" into place when you release it. Put the safety latch in the **ON** position and test the trigger. You should not be able to press the trigger.

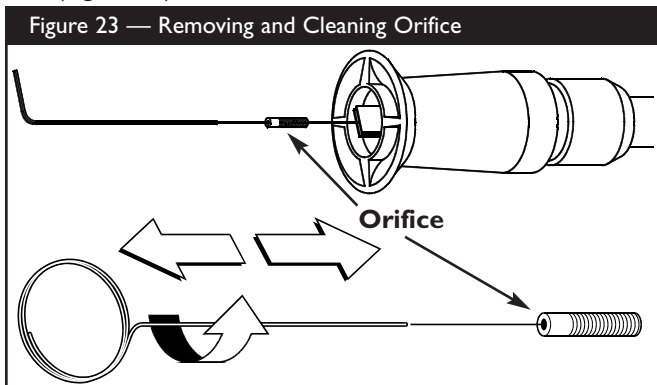


## Nozzle Maintenance

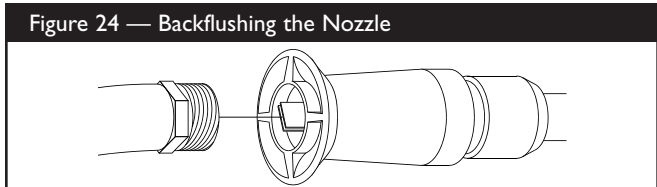
A pulsing sensation felt while squeezing the spray gun trigger may be caused by excessive pump pressure. The principal cause of excessive pump pressure is an orifice clogged or restricted with foreign materials, such as dirt or sand. To correct the problem, immediately clean the orifice using the tools included with your pressure washer and follow these instructions:

### Adjustable nozzle:

1. Shut off engine and turn off water supply.
2. Detach nozzle extension from spray gun. Twist nozzle clockwise to stream position. Using 2mm (5/64) allen wrench, remove orifice from end of nozzle extension (Figure 23).



3. Remove in-line filter from other end of nozzle extension.
4. Use small diameter wire or a small paper clip to free any foreign material clogging or restricting orifice (Figure 23).
5. Using a garden hose, remove additional debris by back flushing water through nozzle extension (Figure 24). Back flush between 30 to 60 seconds. Turn adjustable nozzle extension to stream spray and move nozzle from low to high while flushing.

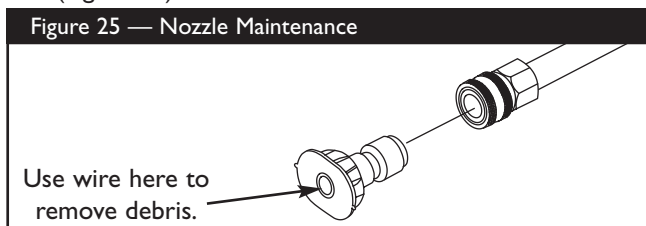


6. Reinstall orifice and in-line filter into nozzle extension. DO NOT overtighten orifice with allen wrench.

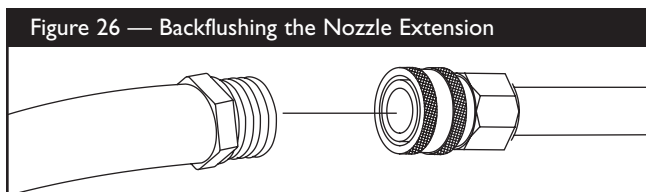
7. Reattach nozzle extension to spray gun.
8. Reconnect water supply, turn on water, and start engine.
9. Test pressure washer by operating with nozzle in high and low positions.

### Quick-connect spray tips:

1. Shut off engine and turn off water supply.
2. Remove spray tip from end of nozzle extension (Figure 25).



3. Remove in-line filter from other end of nozzle extension.
4. Use small diameter wire or a small paper clip to free any foreign material clogging or restricting spray tip (Figure 25).
5. Using a garden hose, remove additional debris by back flushing water through nozzle extension (Figure 26). Back flush between 30 to 60 seconds.



6. Reinstall spray tip and in-line filter into nozzle extension.
7. Reattach nozzle extension to spray gun.
8. Reconnect water supply, turn on water, and start engine.
9. Test pressure washer by operating with each Quick Connect spray tip.



## Purge Pump of Air and Contaminants

### To remove air from the pump, follow these steps:

1. Set up pressure washer as described in “Preparing Pressure Washer For Use”. Connect water supply and turn water on.
2. Pull trigger on spray gun and hold.
3. When water stream is steady and constant, engage safety latch.

### To remove contaminants from the pump, follow these steps:

1. Set up pressure washer as described in “Preparing Pressure Washer For Use”. Connect water supply and turn water on.
2. Remove nozzle extension from spray gun.
3. Start engine.
4. Squeeze trigger on spray gun and hold.
5. When water stream is steady and constant, engage safety latch and refasten nozzle extension.

## O-Ring Maintenance

O-Rings keep the connections of the hoses and spray gun tight and leak-free. Through normal operation of the pressure washer, they may become worn or damaged.

An O-Ring Maintenance Kit is provided with the pressure washer which includes replacement o-rings, rubber washer and water inlet filter. Refer to the instruction sheet provided in the kit to service the o-rings. Note that not all of the parts in the kit will be used on your unit.

To remove a worn or damaged o-ring; use a small flathead screwdriver to get underneath the o-ring and pry it off.

## Pump Maintenance

**NOTE:** Model 01806 (2650 PSI) does not require any pump maintenance. The pump is pre-lubricated and sealed, requiring no additional lubrication for the life of the pump.

**For Model 01805 (2500 PSI) & 01936 (2550 PSI):**

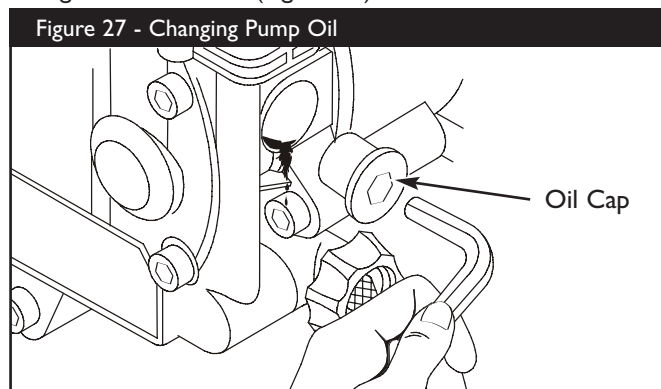
### Changing Pump Oil

Change oil every 50 hours or once yearly, whichever occurs first.

**NOTE:** Purchase a premeasured bottle of pump oil, item number 190585GS, by contacting nearest authorized service center.

### Change pump oil as follows:

1. Drain engine oil and fuel from pressure washer.
2. Use 8mm allen wrench to remove black oil cap from pump. It's found between high pressure outlet and garden hose inlet (Figure 27).



3. Tilt pressure washer to drain oil into an approved container until it drips slowly from the pump.
4. Tilt pressure washer in opposite direction and empty premeasured pump oil bottle into same opening (a small funnel may be helpful).
5. Install black oil cap on pump and tighten firmly.
6. Set pressure washer in upright position. Add fuel and engine oil.

## ENGINE MAINTENANCE

See the engine owner's manual for instructions on how to properly maintain the engine.

**CAUTION!** Avoid prolonged or repeated skin contact with used motor oil. Used motor oil has been shown to cause skin cancer in certain laboratory animals. Thoroughly wash exposed areas with soap and water.

**CAUTION!** KEEP OUT OF REACH OF CHILDREN. DON'T POLLUTE. CONSERVE RESOURCES. RETURN USED OIL TO COLLECTION CENTERS.





## PREPARING THE UNIT FOR STORAGE

Water should not remain in the unit for long periods of time. Sediments or minerals can deposit on pump parts and “freeze” pump action. If you do not plan to use the pressure washer for more than 30 days, follow this procedure:

1. Flush chemical injection hose by placing filter into a pail of clean water while running pressure washer in low pressure mode. Flush for one to two minutes.
2. Shut off engine and let it cool, then remove high pressure and garden hoses. Disconnect spark plug wire from spark plug.

3. Empty pump of all pumped liquids by pulling recoil handle about 6 times. This should remove most liquid from pump.
4. Draw RV antifreeze (non-alcohol) into pump by pouring the solution into a 3-foot section of garden hose connected to inlet adapter and pulling recoil handle twice.

If available, use PumpSaver in place of RV antifreeze and follow package instructions.

5. Store unit in a clean, dry area.

## STORING THE ENGINE

See the engine owner’s manual for instructions on how to properly prepare the engine for storage.



## TROUBLESHOOTING

Problem	Cause	Correction
<p><b>Pump has following problems: failure to produce pressure, erratic pressure, chattering, loss of pressure, low water volume.</b></p>	<ol style="list-style-type: none"> <li>1. Nozzle in low pressure mode.</li> <li>2. Water inlet is blocked.</li> <li>3. Inadequate water supply.</li> <li>4. Inlet hose is kinked or leaking.</li> <li>5. Clogged inlet hose strainer.</li> <li>6. Water supply is over 100°F.</li> <li>7. High pressure hose is blocked or leaks.</li> <li>8. Gun leaks.</li> <li>9. Nozzle is obstructed.</li> <li>10. Pump is faulty.</li> </ol>	<ol style="list-style-type: none"> <li>1. Pull nozzle backward for high pressure mode.</li> <li>2. Clear inlet.</li> <li>3. Provide adequate water flow.</li> <li>4. Straighten inlet hose, patch leak.</li> <li>5. Check and clean inlet hose strainer.</li> <li>6. Provide cooler water supply.</li> <li>7. Clear blocks in outlet hose.</li> <li>8. Replace gun.</li> <li>9. Clean nozzle.</li> <li>10. Contact Briggs and Stratton Power Products service facility.</li> </ol>
<p><b>Detergent fails to mix with spray.</b></p>	<ol style="list-style-type: none"> <li>1. Detergent siphoning tube is not submerged.</li> <li>2. Chemical filter is clogged or cracked.</li> <li>3. Dirty in-line filter.</li> <li>4. Nozzle is in high pressure mode.</li> </ol>	<ol style="list-style-type: none"> <li>1. Insert detergent siphoning tube into detergent.</li> <li>2. Clean or replace filter/detergent siphoning tube.</li> <li>3. See "Check In-Line Filter".</li> <li>4. Push nozzle forward for low pressure mode.</li> </ol>
<p><b>Engine runs good at no-load but "bogs" when load is added.</b></p>	<p>Engine speed is too slow.</p>	<p>Move throttle control to FAST position. If engine still "bogs down", contact Briggs and Stratton service facility.</p>
<p><b>Pressure washer stops during operation.</b></p>	<p>Out of fuel.</p>	<p>Fill fuel tank.</p>



# BRIGGS & STRATTON POWER PRODUCTS GROUP, LLC EQUIPMENT OWNER WARRANTY POLICY

## LIMITED WARRANTY

Briggs & Stratton Power Products Group, LLC will repair or replace, free of charge, any part(s), of the equipment that is defective in material or workmanship or both. Transportation charges on parts submitted for repair or replacement under this warranty must be borne by purchaser. This warranty is effective for the time periods and subject to the conditions stated below. For warranty service, find the nearest Authorized Service Dealer in our dealer locator map at [www.briggspowerproducts.com](http://www.briggspowerproducts.com).

THERE IS NO OTHER EXPRESS WARRANTY. IMPLIED WARRANTIES, INCLUDING THOSE OF MERCHANTABILITY AND FITNESS FOR A PARTICULAR PURPOSE, ARE LIMITED TO ONE YEAR FROM PURCHASE, OR TO THE EXTENT PERMITTED BY LAW ANY AND ALL IMPLIED WARRANTIES ARE EXCLUDED. LIABILITY FOR INCIDENTAL OR CONSEQUENTIAL DAMAGES ARE EXCLUDED TO THE EXTENT EXCLUSION IS PERMITTED BY LAW. Some states or countries do not allow limitations on how long an implied warranty lasts, and some states or countries do not allow the exclusion or limitation of incidental or consequential damages, so the above limitation and exclusion may not apply to you. This warranty gives you specific legal rights and you may also have other rights which vary from state to state or country to country.

## OUR EQUIPMENT\*

<b>OUTBOARD MOTOR</b>	<b>PRESSURE WASHER</b>	<b>WATER PUMP</b> (Not available in the USA)	<b>PORTABLE GENERATOR</b>	<b>HOME GENERATOR SYSTEM</b> (Includes Transfer Switch, if sold with equipment.)	<b>TRANSFER SWITCH</b>
				Less than 10 KW	10 KW or greater

## WARRANTY PERIOD\*\*

Consumer Use	2 years	1 year	1 year	2 years	2 years	3 years or 1500 hours	1 year
Commercial Use	none	90 days	90 days	1 year	1 year		

\* The engine and starting batteries are warranted solely by the manufacturers of those products.

\*\* 2 years for all consumer products in the European Union. Parts only on 2nd year for consumer use of Portable Generator and Home Generator System - Less than 10 KW, outside of European Union.

The warranty period begins on the date of purchase by the first retail consumer or commercial end user, and continues for the period of time stated in the table above. "Consumer use" means personal residential household use by a retail consumer. "Commercial use" means all other uses, including use for commercial, income producing or rental purposes. Once equipment has experienced commercial use, it shall thereafter be considered as commercial use for purposes of this warranty. **Equipment used for Prime Power in place of utility are not applicable to this warranty. Electric Powered Pressure Washers used for commercial purposes are not warranted.**

**NO WARRANTY REGISTRATION IS NECESSARY TO OBTAIN WARRANTY ON BRIGGS & STRATTON PRODUCTS. SAVE YOUR PROOF OF PURCHASE RECEIPT. IF YOU DO NOT PROVIDE PROOF OF THE INITIAL PURCHASE DATE AT THE TIME WARRANTY SERVICE IS REQUESTED, THE MANUFACTURING DATE OF THE PRODUCT WILL BE USED TO DETERMINE THE WARRANTY PERIOD.**

## ABOUT YOUR EQUIPMENT WARRANTY

We welcome warranty repair and apologize to you for being inconvenienced. Any Authorized Service Dealer may perform warranty repairs. Most warranty repairs are handled routinely, but sometimes requests for warranty service may not be appropriate. For example, warranty service would not apply if equipment damage occurred because of misuse, lack of routine maintenance, shipping, handling, warehousing or improper installation. Similarly, the warranty is void if the manufacturing date or the serial number on the equipment has been removed or the equipment has been altered or modified. During the warranty period, the Authorized Service Dealer, at its option, will repair or replace any part that, upon examination, is found to be defective under normal use and service. This warranty will not cover the following repairs and equipment:

- **Normal Wear:** Outdoor Power Equipment, like all mechanical devices, needs periodic parts and service to perform well. This warranty does not cover repair when normal use has exhausted the life of a part or the equipment.
- **Installation and Maintenance:** This warranty does not apply to equipment or parts that have been subjected to improper or unauthorized installation or alteration and modification, misuse, negligence, accident, overloading, overspeeding, improper maintenance, repair or storage so as, in our judgment, to adversely affect its performance and reliability. This warranty also does not cover normal maintenance such as adjustments, fuel system cleaning and obstruction (due to chemical, dirt, carbon, lime, etc.).
- **Other Exclusions:** This warranty excludes wear items such as quick couplers, oil gauges, belts, o-rings, filters, pump packing, etc., pumps that have been run without water supplied or damage or malfunctions resulting from accidents, abuse, modifications, alterations, or improper servicing or freezing or chemical deterioration. Accessory parts such as guns, hoses, wands and nozzles are excluded from the product warranty. Also excluded is used, reconditioned, and demonstration equipment; equipment used for prime power in place of utility power and equipment used in life support applications.



## TABLA DE CONTENIDOS

Reglas De Seguridad . . . . .	18-19
Ensamblaje . . . . .	20-23
Funcionamiento . . . . .	24-26
Mantenimiento . . . . .	27-29
Almacenamiento . . . . .	30
Diagnosticos De Averías . . . . .	31
Garantía . . . . .	Última Página

## DESCRIPCIÓN DEL EQUIPO



Lea este manual de manera cuidadosa y familiarícese con su lavadora de presión. Conozca sus usos, sus limitaciones y cualquier peligro relacionado con el mismo.

Se ha hecho cada esfuerzo posible para asegurarse que la información que aparece en este manual es exacta y se encuentra actualizada. Sin embargo, nosotros se reserva el derecho a cambiar, alterar o de otra manera mejorar, el producto y este documento en cualquier momento, sin previo aviso.

En el estado de California es obligatorio, según la ley, el uso de apagachispas (Sección 4442 del Código de Recursos Públicos de California). Otros estados pueden tener leyes similares. Las leyes federales se aplican en tierras federales. Si equipa el silenciador con un apagachispas, este deberá ser mantenido en buenas condiciones de trabajo.

## INSTRUCCIONES DE SEGURIDAD



Éste es el símbolo de alerta de seguridad. Sirve para advertir al usuario de un posible riesgo para su integridad física. Siga todos los mensajes de seguridad que figuren después de este símbolo para evitar lesiones o incluso la muerte.

El símbolo de alerta de seguridad () es usado con una palabra (PELIGRO, ADVERTENCIA, PRECAUCIÓN), un mensaje por escrito o una ilustración, para alertarlo acerca de cualquier situación de peligro que pueda existir. **PELIGRO** indica un riesgo el cual, si no se evita, *causará* la muerte o una herida grave.

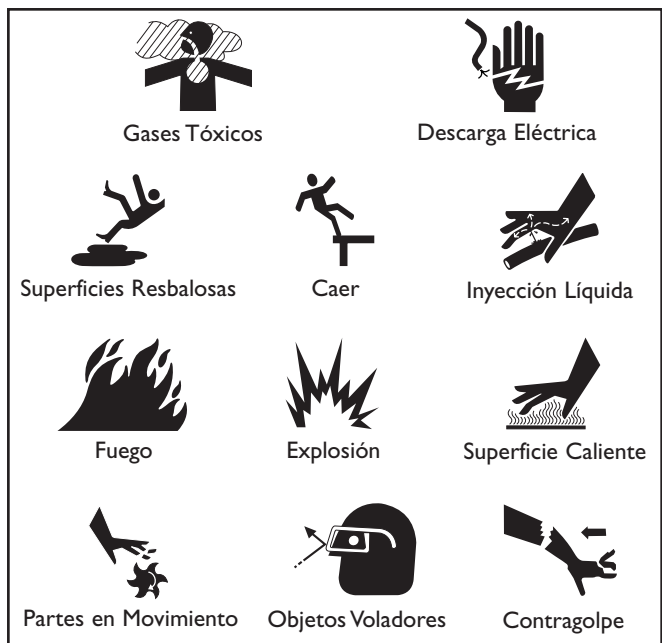
**ADVERTENCIA** indica un riesgo el cual, si no se evita, *puede* causar la muerte o una herida grave. **PRECAUCIÓN** indica un riesgo, el cual, si no se evita, *puede* causar heridas menores o moderadas. **PRECAUCIÓN**, cuando se usa **sin** el símbolo de alerta, indica una situación que podría resultar en el daño del equipo. Siga los mensajes de seguridad para evitar o reducir los riesgos de heridas e inclusive la muerte.



### ADVERTENCIA

El escape del motor de este producto contiene elementos químicos reconocidos en el Estado de California por producir cáncer, defectos de nacimiento u otros daños de tipo reproductivo.

## Símbolos de Peligro y Significados





**! PELIGRO**



Al motor funcionar, se produce monóxido de carbono, un gas inodoro y venenoso. El respirar el monóxido de carbono, producirá náusea, desmayo o la muerte.

- Opere el lavadora de presión SOLAMENTE al aire libre.
- Utilice un respirador o máscara siempre que exista la posibilidad de inhalar vapores.
- Lea todas las instrucciones de la máscara para asegurarse de que le brindará la protección necesaria contra la inhalación de vapores nocivos.

**! ADVERTENCIA**



El contacto del rocío con alambrado eléctrico puede tener como resultado electrocución.

- Mantenga el chorro del agua alejado de alambrados eléctricos, de lo contrario podrían ocurrir descargas eléctricas fatales.

**! ADVERTENCIA**



El uso de lavadora de presión puede crear los charcos y superficies resbalosas.



El rociado de la alta presión podría hacerlo caer si está muy cerca de la superficie de limpieza.

- Mantenga la boquilla de rociado de 8 a 24 pulgadas de la superficie de limpieza.
- Opere y almacene esta unidad sobre una superficie estable.
- El área de limpieza deberá tener inclinaciones y drenajes adecuados para disminuir la posibilidad de caídas debido a superficies resbalosas.
- Sea extremadamente cuidadoso si usa la máquina lavadora a presión desde una escalera, andamio o cualquier superficie relativamente inestable.
- Sujete la pistola de la hidrolavadora firmemente con ambas manos cuando utilice el rociado a alta presión. De esta manera evitará lesiones producidas por el posible golpe de la pistola hacia atrás.

**! ADVERTENCIA**



La gasolina y sus vapores son extremadamente inflamables y explosivos.



El fuego o una explosión pueden causar quemaduras severas e inclusive la muerte.

**CUANDO AÑADA COMBUSTIBLE**

- Apague el generador (posición OFF) y déjelo enfriar al menos por 2 minutos antes de remover la tapa de la gasolina.
- Llene el tanque al aire libre.
- NO llene demasiado el tanque. Permita al menos espacio para la expansión del combustible.
- Mantenga la gasolina alejada de chispas, llamas abiertas, pilotos, calor y otras fuentes de ignición.
- NO encienda un cigarrillo o fume.

**CUANDO OPERE EL EQUIPO**

- NO incline el motor o el equipo, de tal manera que la gasolina se pueda derramar.
- NO rocíe líquidos inflamables.

**CUANDO TRANSPORTE O REPARE EL EQUIPO**

- Transporte o repare el equipo con el tanque de combustible vacío, o con la válvula para apagar el combustible, apagada (posición OFF).

**CUANDO ALMACENE O GUARDE EL EQUIPO CON COMBUSTIBLE EN EL TANQUE**

- Almacene alejado de calderas, estufas, calentadores de agua, secadoras de ropa u otros aparatos electrodomésticos que posean pilotos u otras fuentes de ignición, porque ellos pueden encender los vapores de la gasolina.

**! ADVERTENCIA**



La corriente de agua de alta presión que produce este equipo pueden perforar la piel y sus tejidos profundos, ocasionando lesiones serias y posible amputación.

- NUNCA apunte la pistola a la gente, animales o plantas.
- NO permita en ningún momento que NIÑOS operen la máquina lavadora a presión.
- NUNCA repare la manguera de alta presión. Reemplacela.
- Mantenga conectada la manguera a la máquina o a la pistola de rociado cuando el sistema esté presurizado.




**⚠ ADVERTENCIA**

 Los motores en funcionamiento producen calor y gases de escape a altas temperaturas. La temperatura del silenciador y de las zonas cercanas puede alcanzar o superar los 65 °C (150 °F)

 Se pueden producir incendios o quemaduras graves.


- NO toque las superficies calientes.
- Manténgase alejado de los gases de escape.
- Permita que el equipo se enfríe antes de tocarlo.

**⚠ ADVERTENCIA**

 El arrancador y otras piezas que rotan pueden enredar las manos, el pelo, la ropa, o los accesorios.

- NO use ropa suelta, joyas o elementos que puedan quedar atrapados en el arranque o en otras partes rotatorias.
- Ate para arriba el pelo largo y quite la joyería.

**⚠ ADVERTENCIA**

 El rociado de alta presión puede hacer que partículas pequeñas de pintura u otras partículas salgan disparadas y viajen a altas velocidades.

- Siempre use protección para los ojos cuando utilice este equipo o cuando esté cerca de donde se esté usando el equipo.

**⚠ ADVERTENCIA**

 Chispear involuntario puede tener como resultado el fuego o el golpe eléctrico.

**CUANDO AJUSTE O HAGA REPARACIONES A SU MÁQUINA LAVADORA DE PRESIÓN**

- Siempre desconecte el alambre de la bujía y colóquelo donde no pueda entrar en contacto con la bujía.

**⚠ PRECAUCIÓN**

Hacer funcionar el motor a velocidades excesivas aumenta el riesgo de lesiones personales.

- NO juegue con partes que puedan aumentar o disminuir la velocidad de mando.
- NO opere la máquina lavadora a presión con un valor de presión superior a su clasificación de presión.

**⚠ PRECAUCIÓN**

El lavadora de presión produce un rocío alto de la presión cuál riesgo de aumentos de la herida y daño a la unidad.

- NO asegure la pistola de rociado en la posición (open = abierto).
- NO abandone la pistola de rociado cuando la máquina esté en funcionamiento.
- NUNCA utilice una pistola de rociado que no tenga un seguro para gatillo o protección para gatillo en su lugar y en buenas condiciones.
- Siempre asegúrese de que la pistola de rociado, boquillas y accesorios estén conectados correctamente.

**PRECAUCIÓN**

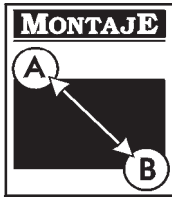
El rociado de alta presión puede dañar elementos frágiles, incluyendo el vidrio.

- NO apunte la pistola de rociado al vidrio cuando esté en el modo de rociado a chorro.
- NUNCA apunte la pistola a plantas.

**PRECAUCIÓN**

El tratamiento inadecuado del lavadora de presión puede dañarlo y acortar su vida productiva.

- Si usted tiene alguna pregunta acerca de las finalidades de uso del generador, pregúntele a su concesionario o contacte a Briggs & Stratton Power Products.
- NUNCA deberán ser operadas las unidades con partes rotas o ausentes, o sin la caja o cubiertas de protección.
- NO eluda ningún dispositivo de seguridad de esta máquina.
- Antes de poner en marcha la máquina lavadora a presión en clima frío, revise todas las partes del equipo y asegúrese de que no se haya formado hielo sobre ellas.
- NUNCA mueva la máquina halando la manguera de alta presión. Utilice la manija que viene con la unidad.
- Revise que el sistema de combustible no presente fugas o signos de deterioro, como mangueras desgastadas o porosas, sujetadores flojos o ausentes, tapa o tanque dañados. Corrija todos los defectos antes de operar la máquina lavadora a presión.
- El equipo de alta presión está diseñado para ser utilizado UNICAMENTE con las partes autorizadas Briggs & Stratton Power Products. Si utiliza este equipo con partes que no cumplan con las especificaciones mínimas, el usuario asume todos los riesgos y responsabilidades.



## MONTAJE

**IMPORTANTE:** Lea totalmente el manual del propietario antes que intente ensamblar u operar su lavador a alta presión.

### Remueva el Lavador a Presión del Empaque

1. Remueva la bolsa con las piezas, accesorios y las adiciones incluidas con el lavador de presión.
2. Corte dos esquinas en los extremos del cartón desde la parte superior hasta la parte inferior, de tal manera que el pánel pueda ser doblado en forma plana.
3. Remueva el lavador a presión del la caja.

## PREPARANDO EL LAVADOR A PRESIÓN PARA SU USO

Si usted tiene un problema al ensamblar la unidad o si hacen falta algunas piezas o se encuentran dañadas, llame a la línea directa del lavador a alta presión, al **1-800-743-4115**. Si llamar para la ayuda, tiene por favor el modelo, la revisión, y el número de serie de la etiqueta de datos disponible.

### A prepara su arandela de la presión para la operación, usted necesitará a realiza estas tareas:

- Conecte manubrio a unidad principal.
- Remueva la tapa para el transporte e instale la varilla del aceite en la bomba (si aplicable).
- Añada aceite al motor.
- Añada gasolina al tanque de combustible.
- Conecte manguera a alta presión a pistola rociadora y a bomba.
- Conecte el suministro de agua a bomba.
- Conecte boquilla la extensión al pistola rociadora.
- Selecto/conecta rápido conecta boquilla (si aplicable).

### Conecte el Manubrio

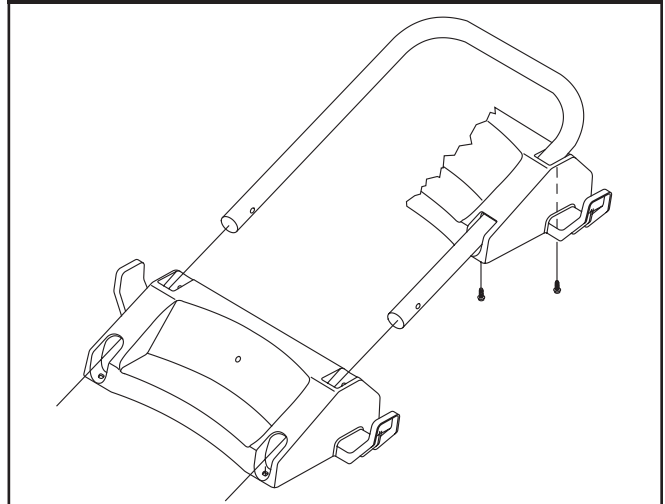
La limpiadora a presión se puede equipar con cualquiera de las siguientes asas. Consulte la sección que corresponda al tipo de asa.

#### Para Conecte el Manubrio con Bandeja Accesorias (Modelo 01805 y 01806)

**NOTA:** Todas las operaciones de ensamble proporcionadas en esta sección, serán descritas desde la perspectiva del ensamblaje de la lavadora a presión desde su parte posterior.

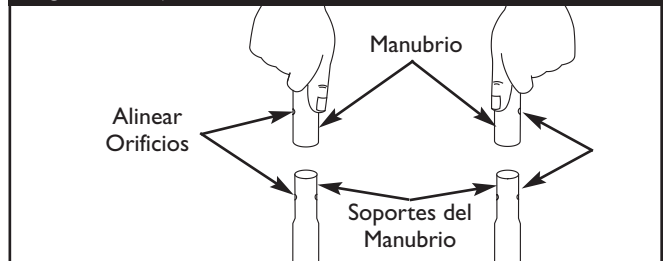
1. Deslice la bandeja accesorias plástica en el asidero y alinee los hoyos en la bandeja accesorias con los hoyos en el asidero (Figura 28).

Figura 28 - Conecte Bandeja Accesorias



2. La bandeja segura al asidero con tornillos auto utiliza usando un #2 destornillador de phillips. Asegure seros de tornillos apretados pero no aplastar la bandeja accesorias plástica.
3. Coloque el manubrio sobre los soportes del mismo que ya están adheridos a la unidad principal. Asegúrese de que los orificios en el manubrio estén alineados con los orificios en los soportes del mismo manubrio (Figura 29).

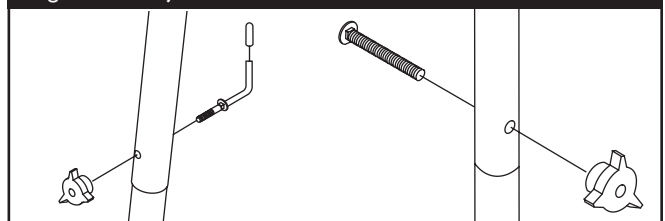
Figura 29 - Fijar el Manubrio a la Base



**NOTA:** Tal vez será necesario mover los soportes del manubrio de un lado a otro para alinear el manubrio de tal manera que pueda deslizarse sobre los soportes del mismo manubrio.

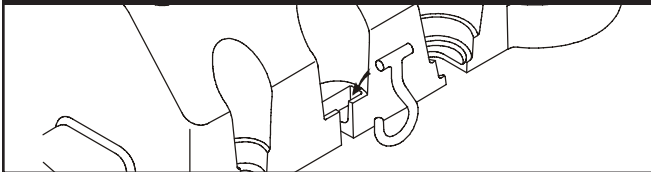
4. Inserte el perno del soporte a través del orificio que se encuentra al lado izquierdo del manubrio (visto desde la parte posterior de la unidad) y fije la perilla de plástico. Apriete la perilla manualmente (Figura 30).

Figura 30 - Sujetar el Manubrio



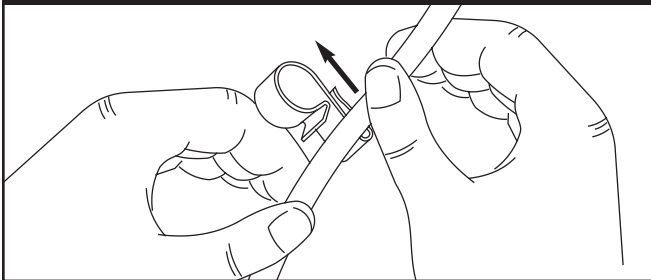
5. Inserte el perno "L" a través del orificio al lado derecho del manubrio (visto desde la parte posterior de la unidad) y fije la perilla de plástico. Apriete la perilla manualmente (Figura 30).
6. Inserte el gancho "J" en la segunda ranura a la izquierda en el charola de accesorios (Figura 31).

Figura 31 - Colocar el Gancho "J" Hook Sobre el Charola de Accesorios



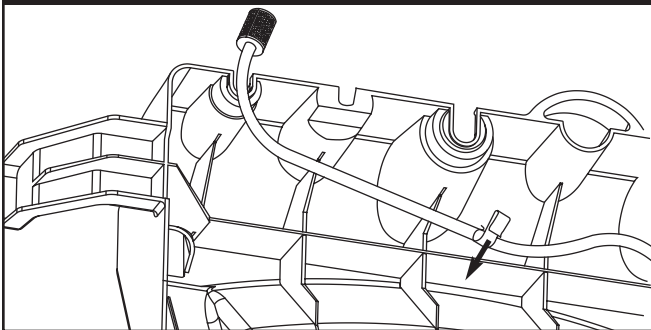
7. Pellizque la manga química y lo desliza en el clip de metal como mostrado en Figura 32.

Figure 32 — Deslice Manga Química en el Clip de Metal



8. Incline la unidad arriba por el asidero y conecte el clip de metal a la costilla en la cara inferior central de la bandeja accesoria (Figura 33). Deslice la manga química por el clip de metal para que no sea apretado pero kinked.

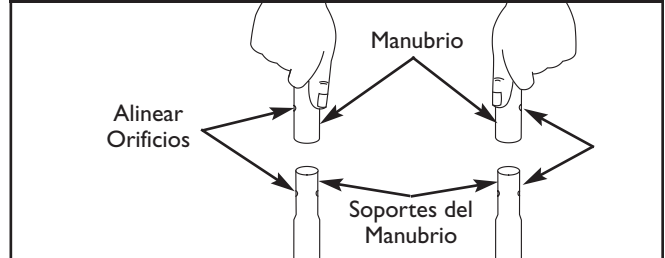
Figure 33 — Deslice Clip de Metal en la Bandeja Accesoria Flange



**Para Conecte el Manubrio con Dos Perno "L" (Modelo 01936)**

1. Coloque el manubrio sobre los soportes del mismo que ya están adheridos a la unidad principal. Asegúrese de que los orificios en el manubrio estén alineados con los orificios en los soportes del mismo manubrio (Figura 34).

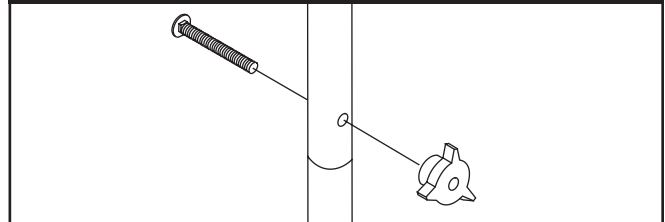
Figura 34 - Fijar el Manubrio a la Base



**NOTA:** Tal vez será necesario mover los soportes del manubrio de un lado a otro para alinear el manubrio de tal manera que pueda deslizarse sobre los soportes del mismo manubrio.

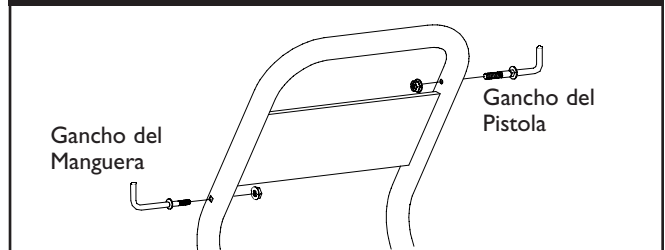
2. Inserte el perno del soporte a través de los orificios desde fuera de la unidad y sujete una perilla de plástico desde el interior de la misma unidad. Apriete manualmente (Figura 35).

Figura 35 - Sujetar el Manubrio

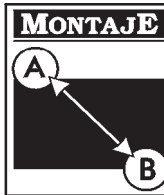


3. Inserte el "L" gancho del agujero apenas bajo la cartelera en el izquierda de la manija (visto desde la parte posterior de la unidad). Sostenga el gancho en lugar con los alicates y asocie la tuerca de fijación con una llave del 7/16" (Figura 36).

Figura 36 - Fijar el "L" Perno a la Manubrio



4. Inserte el "L" gancho del agujero apenas arriba la cartelera en el derecho de la manija (visto desde la parte posterior de la unidad). Sostenga el gancho en lugar con los alicates y asocie la tuerca de fijación con una llave del 7/16" (Figura 36).



### Agregar Aceite al Motor

**IMPORTANTE:** Cualquier intento para arancar el motor antes de haberle proporcionado el mantenimiento apropiado con el aceite recomendado, podría ocasionar la falla del motor.

- Coloque la lavadora a presión sobre una superficie nivelada.
- Consulte el manual del propietario del motor para añadir al motor el aceite recomendado.

**NOTA:** Verifique el aceite del motor de manera frecuente cuando éste se esfuerce demasiado.

### Añada Gasolina



**¡ADVERTENCIA!** NUNCA llene el tanque de combustible en recintos cerrados. NUNCA llene el tanque de combustible cuando el motor esté funcionando o esté caliente. NO fume cuando esté llenando el tanque de combustible.



**¡ADVERTENCIA!** NO llene excesivamente el tanque de combustible. Deje suficiente espacio para la expansión del combustible.

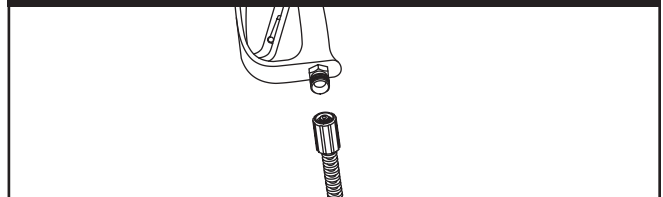
- Coloque la lavadora a presión sobre una superficie nivelada.
- Consulte el manual del propietario del motor para añadir al motor el combustible recomendado.

### Conecte la Manguera y el Suministro de Agua a la Bomba

**IMPORTANTE:** Usted deberá armar la extensión para boquillas y conectar todas las mangueras antes de darle arranque al motor. La bomba resultará dañada si arranca el motor sin tener todas las mangueras conectadas y el suministro agua abierto.

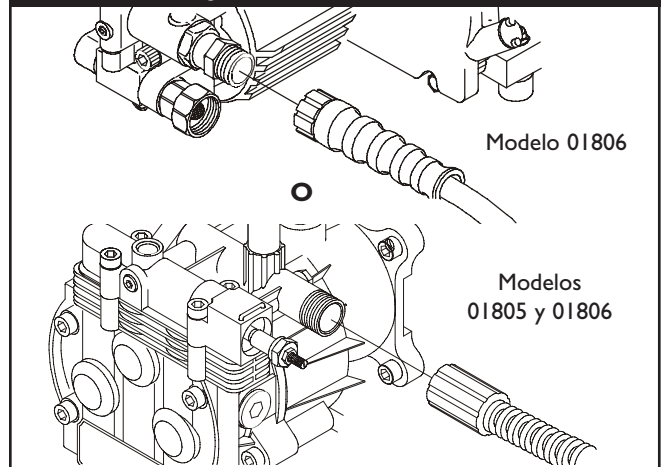
1. Desenrolle la manguera de alta presión y conecte uno de sus extremos a la base de la pistola pulverizadora (Figura 39). Apriete a mano.

Figura 39 - Conecte la Manguera a alta Presión a la Pistola Rociadora



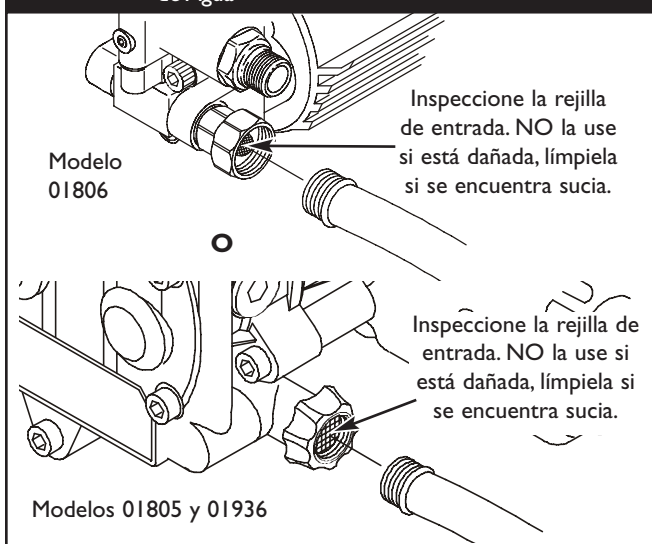
2. Conecte el otro extremo de la manguera de alta presión a la salida de alta presión de la bomba (Figura 40). Apriete a mano.

Figura 40 — Conectar la Manguera de Alta Presión a la Toma de Agua



- Antes de que conecte la manguera de jardín a la entrada de agua, inspeccione el colador de la entrada (Figura 41). Limpie el colador si tiene residuos o solicite su remplazo si está dañado. Refiérase a la sección "Mantenimiento de los Anillos 'O'" en la página 29 si la colador de la entrada se dañado. **NO HAGA FUNCIONAR LA MÁQUINA LAVADORA A PRESIÓN SI EL COLADOR DE LA ENTRADA ESTÁ DAÑADO.**

Figura 41 — Conecte la Manguera para el Jardín, a la Entrada de Agua



- Haga correr el agua a través de la manguera de su jardín por 30 segundos para limpiar cualquier escombros que se encuentre en ella. Corte el agua.

**IMPORTANTE:** Hace no agua de parar de siphon para el abastecimiento de agua. Use agua SOLO fría (menos que 100°F).

- Conecte la manguera de jardín (no exceder 50 pies en la longitud) a la entrada del agua. Apriete con la mano (Figura 41).

**¡PRECAUCIÓN!** DEBE haber por lo menos diez pies de manguera de jardín libre entre la entrada de agua de la lavadora a presión y cualquier dispositivo de control de flujo de agua, sea el caso de un conector 'Y' o de cualquier otro tipo de válvula. El daño a la lavadora a presión, resultado de la desatención a esta precaución, no será cubierto por la garantía.

- ABRA el suministro del agua y abra la válvula de suministro para purgar la sistema de bomba de aire y impureza.

**¡PRECAUCIÓN!** Antes de darle arranque a la máquina lavadora a presión, asegúrese de usar protección adecuada para los ojos.

## LISTA DE REVISION PREVIA AL ARRANQUE DEL MOTOR

Revise la unidad para asegurarse que ha llevado a cabo los siguientes procedimientos:

- Cerchiórese el manecilla es seguro.
- El cheque que la tapa que embarca se quitó y engrasa varilla graduada se instaló en la bomba.
- Revise que haya sido depositado aceite y esté al nivel correcto en la caja del cigüeñal del motor.
- Deposite la gasolina adecuada en el tanque del combustible.
- Revise que todas las conexiones de las mangueras (alta presión y suministro de agua) estén apretadas correctamente y que no existan dobleces, cortes o daño de la manguera de alta presión.
- Proporcione el suministro de agua adecuado.
- Asegúrese de leer las secciones "Reglas de Seguridad" y "Cómo Usar Su Máquina Lavadora A Presión" antes de usar la máquina lavadora a presión.





## CÓMO USAR SU LAVADORA A PRESIÓN

Si tiene problemas operando su máquina lavadora a presión, por favor llame a la línea de ayuda para máquinas lavadoras a presión al **1-800-743-4115**.

### Cómo Darle Arranque a su Lavadora a Presión

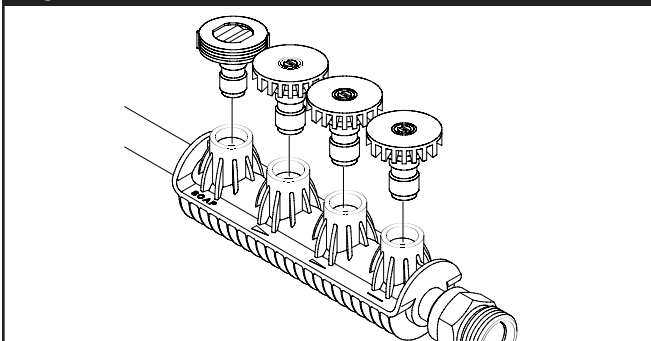
Para darle arranque a su máquina lavadora a presión movida a motor por primera vez, siga estas instrucciones paso a paso. Esta información acerca del arranque inicial también se aplica cuando vaya a darle arranque al motor después de haber dejado de la máquina lavadora a presión fuera de uso por al menos un día.

1. Coloque la arandela de la presión cerca de una fuente de agua de exterior capaz de suministrar agua en una tasa del flujo más que 1.0 galones por minuto más que la arandela de la presión se valora para y ningunos menos de 20 PSI en el fin de arandela de presión de la manga del jardín.
2. Revise que la manguera de alta presión se encuentre conectada firmemente a la pistola de rociado y a la bomba. Vea "Preparando El Lavador A Presión Para Su Uso".
3. Asegúrese que la unidad esté nivelada.
4. Conecte la manguera de jardín a la entrada del agua. Apriete la con la mano. **Abra el suministro de agua.**

**¡PRECAUCIÓN!** NO haga funcionar la bomba si no tiene el suministro conectado y abierto. Deberá cumplir con esta precaución, de otra forma la bomba resultará dañada.

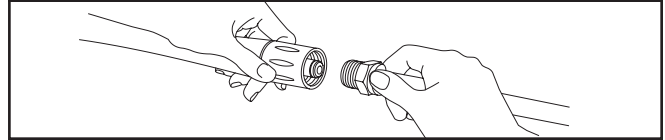
5. Apriete firmemente el gatillo de la pistola para purgar de aire e impurezas el sistema de bomba.
6. Para modelos 01806 y 01936, coloque el coloró rápido conecta puntas de rocío en las ranuras en el poseedor eso's conectado a la extensión de la boca (Figura 42).

Figura 42 - Instale Puntas de Rocío en el Poseedor



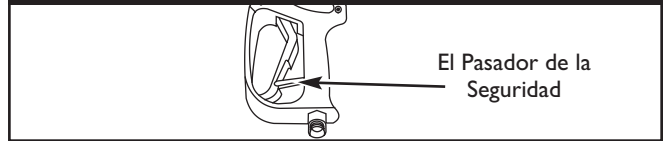
7. Conecte la extensión de la lanza a la pistola rociadora. Apriétela con las manos (Figura 43).

Figura 43 — Conecte la Extensión de la Lanza a la Pistola Rociadora



8. Coloque el pasador de seguridad al gatillo de la pistola rociadora (Figura 44).

Figura 44 — La Pistola Rociadora con el Pasador de Seguridad en su Posición



9. Pour démarrer le moteur, suivez les instructions qui figurent dans le manuel d'utilisation.



### PRECAUCIÓN

Evite las lesiones que puede causar el retroceso.

- Apriete el gatillo de la pistola rociadora cada vez que tire del arrancador de retroceso y que el motor no arranque.

**NOTA:** Siempre mantenga la control de válvula de admisión en el "Rápido" ("Fast") posición cuando operar la arandela de la presión.

### Cómo Detener su Lavadora a Presión

1. Espere que el motor descanse.
2. Pour éteindre le moteur, suivez les instructions qui figurent dans le manuel d'utilisation.
3. **Apriete el gatillo de la pistola de rociado para eliminar la presión de la manguera.**

**NOTA:** Observará una pequeña cantidad de agua cuando elimine la presión.

### CÓMO USAR LAS BOQUILLAS

Usted ya debe saber como darle **ARRANQUE** a su máquina lavadora a presión y como **DETENERLA**. La información de esta sección le dirá como ajustar el patrón de rociado y como aplicar detergente u otros químicos de limpieza.



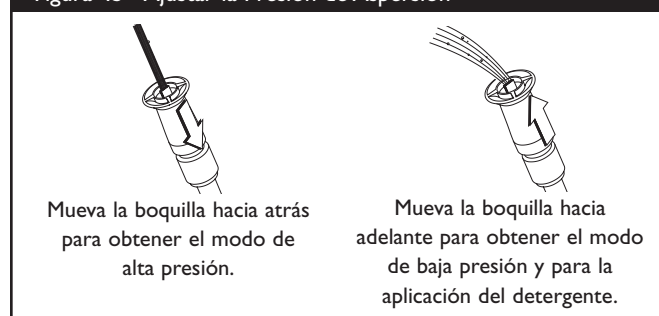
**¡PRECAUCIÓN!** NUNCA ajuste el patrón de rociado cuando esté rociando. NUNCA coloque las manos en frente de la boquilla para ajustar el patrón de rociado.

## Si la Unidad Está Equipada con la Boquilla Regulable

Si la limpiadora a presión está equipada con una boquilla regulable (Modelo 01805 (2500 PSI)), ajuste la forma y la presión de pulverización tal y como se explica a continuación:

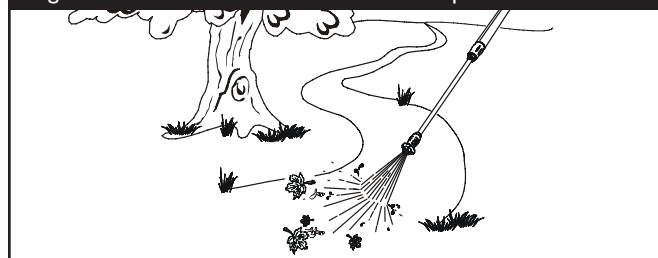
1. Usted también puede ajustar el patrón de rociado girando la boquilla para que esté concentrado en un patrón de chorro o un patrón expandido en abanico (Figura 45).

Figura 45 - Ajustar la Presión de Aspersión



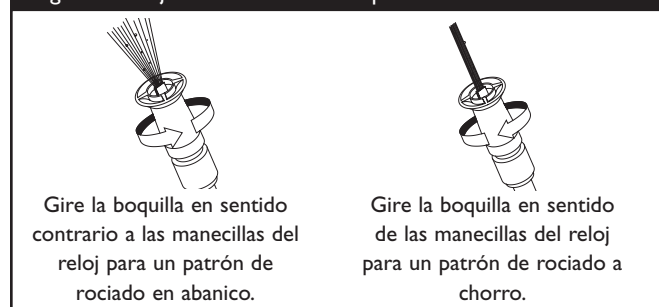
2. El patrón de rociado se ajusta de un patrón angosto a un patrón en abanico girando la boquilla (Figura 46).

Figura 46 - Poner a Prueba el Patrón de Aspersión



3. Apunte la boquilla hacia el suelo, desenganche el cerrojo de seguridad y apriete el gatillo para probar el patrón de rociado (Figura 47).

Figura 47 - Ajustar el Patrón de Aspersión



4. Para una limpieza más efectiva, mantenga la boquilla de rociado de 8 a 24 pulgadas de la superficie de limpieza.
5. NO coloque la boquilla a menos de 6 pulgadas cuando esté limpiando llantas.

## Si la Unidad Está Equipada con Boquillas con Conector Rápido

**¡PRECAUCIÓN!** NUNCA intercambie boquillas sin haber asegurado el cerrojo de seguridad del gatillo.

**NOTA:** El modelo 01805 (2.500 PSI) NO equipada con boquillas con conector rápido.

La conexión rápida de la extensión para boquillas le permite usar cuatro boquillas diferentes. Las boquillas tienen diferentes patrones de rociado.

### Para cambiar las boquillas:

1. Enganche el cerrojo de seguridad de la pistola de rociado.
2. Mueva hacia atrás el collar de la conexión rápida y saque la boquilla instalada. Almacene la boquilla en el espacio suministrado en el panel de control.

**NOTA:** Para un enjuague más suave, seleccione la boquilla blanca de 40°. Para fregar la superficie, seleccione la boquilla roja de 0° o la amarilla de 15°. Para aplicar el químico, seleccione la boquilla negra de baja presión.

3. Mueva el collar hacia atrás, inserte la boquilla nueva y suelte el collar. Hale la boquilla para asegurarse de que está conectada firmemente.
4. Para una limpieza más efectiva, mantenga la boquilla de rociado de 8 a 24 pulgadas de la superficie de limpieza.
5. NO coloque la boquilla a menos de 6 pulgadas cuando esté limpiando llantas.

## Limpieza y Aplicación del Químico

**IMPORTANTE:** Utilice químicos diseñados específicamente para máquinas lavadoras a presión. Los detergentes caseros podrían dañar la bomba.

### Para aplicar el detergente, siga los siguientes pasos:

1. Revise el uso de las boquillas.
2. Prepare la solución detergente siguiendo las instrucciones del fabricante.
3. Coloque el filtro pequeño del tubo de inyección de químicos en el recipiente del detergente.

**¡PRECAUCIÓN!** Evite que el tubo de inyección de químicos entre en contacto con el silenciador caliente.

- 4A. Para modelo 01805, extienda la boquilla hasta la posición de baja presión. Con la boquilla en la posición de alta presión no se puede aplicar detergente.
- 4B. Para modelos 01806 y 01936, asegúrese de que esté instalada la boquilla negra. Con las boquillas de alta presión con conector rápido (blanca, amarilla y roja) no se puede aplicar detergente.



5. Aplique el detergente sobre la superficie seca, comenzando en la parte inferior del área y dirigiéndose hacia arriba, utilizando movimientos largos, parejos y superpuestos. NO permita que el detergente se seque. Si permite que el detergente se seque, la superficie podría quedar con manchas.
6. Permita que el detergente penetre de 3 a 5 minutos antes de enjuagar. Vuelva a aplicar cuando sea necesario para evitar que la superficie se seque.

### Enjuage de la Máquina Lavadora a Presión



**¡ADVERTENCIA!** Sea extremadamente cuidadoso si usa la máquina lavadora a presión desde una escalera, andamio o cualquier superficie relativamente inestable. Cuando oprima el gatillo, la fuerza de reacción del rociado inicial podría hacerlo caer. El rociado de la alta presión podría hacerlo caer si está muy cerca de la superficie que está limpiando.

Después de haber aplicado el detergente, refriegue la superficie y enjuágela de la siguiente manera:

1. Coloque el cerrojo de seguridad a la pistola de rociado.
2. Retraiga la boquilla hacia atrás o inserte una boquilla de alta presión con conector rápido para utilizar la limpiadora en el modo de alta presión. Los productos químicos no fluyen en el modo de alta presión.
3. Mantenga la pistola de rociado a una distancia segura del área que planea rociar.
4. Quite el seguro de la pistola pulverizadora.



**¡PRECAUCIÓN!** Sujete la pistola de la hidrolavadora firmemente con ambas manos cuando utilice el rociado a alta presión. De esta manera evitará lesiones producidas por el posible golpe de la pistola hacia atrás.

5. Amplíe la forma de pulverización o seleccione la boquilla con conector rápido blanca (40°) para suavizar el aclarado. Comience por la parte superior de la superficie que se va a aclarar y siga hacia abajo como si la estuviera limpiando.

**¡PRECAUCIÓN!** Haga una prueba en una pequeña parte de la superficie. Asegúrese de que la pulverización de alta presión no provoque ningún daño.

### Limpiando el Tubo de Sifón del Detergente

1. Coloque el filtro y la inyección química en un balde lleno de agua limpia.
2. Conecte la boquilla negra de baja presión o extienda la boquilla regulable hasta la posición de baja presión.
3. Lave de 1 a 2 minutos.

### Sistema de Enfriamiento Automático (Alivio Térmico)

El agua que circula dentro de la bomba puede alcanzar temperaturas entre los 125°-155°F si hace funcionar el motor de su máquina lavadora a presión de 3 a 5 minutos sin oprimir el gatillo de la pistola de rociado. Cuando el agua alcanza dicha temperatura, el sistema de enfriamiento automático se activa y enfría la bomba **descargando agua caliente en el piso**. Este sistema evita el daño interno de la bomba.

## RECOMENDACIONES GENERALES

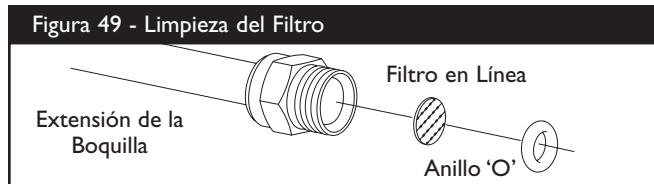
La garantía de la máquina lavadora a presión no cubre los elementos que han sido sujetos a abuso o negligencia por parte del operador. Para hacer válida la cobertura total de la garantía, el operador deberá mantener la lavadora de presión tal y como se indica en el manual.

- Algunos ajustes tendrán que hacerse periódicamente para mantener adecuadamente su máquina lavadora a presión.
- Todos los servicios y ajustes deberán hacerse por lo menos una vez en cada estación.
- Si equipó con llantas que se puede hinchar, mantenga la presión aérea en el valor marcado en la llanta o dentro de 15 y 40 psi.

## MANTENIMIENTO DE LA LAVADORA A PRESION

### Revise el Filtro en Línea

Consulte la Figura 49 y suministre servicio al filtro en línea si se tapa siguiendo estos pasos:



1. Retire la pistola y la extensión para boquillas de la manguera de alta presión. Retire la extensión para boquillas de la pistola y retire el anillo 'o' y el colador de la extensión para boquillas. Lave el colador, pistola y extensión para boquillas con agua limpia para eliminar toda clase de residuos.
2. Si el colador está dañado, encontrará un colador para el filtro en línea y un anillo 'o' de repuesto en el juego de anillos 'o'. Si no está dañado, vuelva a usarlo.
3. Coloque el colador del filtro en línea en el extremo con rosca de la extensión para boquillas. Su dirección no importa. Coloque el colador ejerciendo presión con el borrador de un lápiz hasta que se asiente por completo en el fondo de la abertura. Tenga cuidado de no doblar el colador.
4. Coloque el anillo 'o' en la ranura respectiva. Empuje el anillo 'o' hasta que quede ajustado contra el colador del filtro en línea.
5. Conecte la extensión para boquillas a la pistola de rociado de la manera descrita anteriormente en este manual.

### Revise y Limpie el Colador de Entrada

Examine el colador de entrada de la manguera de jardín. Límpielo si está tapado o réplacelo si está roto.

### Revise la Manguera de Alta Presión

Las mangueras de alta presión pueden desarrollar fugas debido al desgaste, dobleces o abuso. Revise la manguera antes de cada uso. Revise si existen cortes, fugas, abrasiones, levantamiento de la cubierta, daño o movimiento de los acoplamientos. Si existe cualquiera de estas condiciones, reemplace la manguera inmediatamente.



**¡ADVERTENCIA!** NUNCA repare la manguera de alta presión. Réplacela con una manguera que cumpla con la capacidad mínima de presión de su máquina lavadora a presión.

### Chequee el Tubo de Sifón del Detergente

Examine el filtro en el tubo del detergente y límpielo si se encuentra sucio. El tubo debería quedar apretado en la pieza. Examine el tubo para ver si existe cualquier tipo de goteo o está roto. Réplacelo el filtro o el tubo si alguno de ellos se encuentra dañado.

### Revise la Pistola y la Extensión para Boquillas

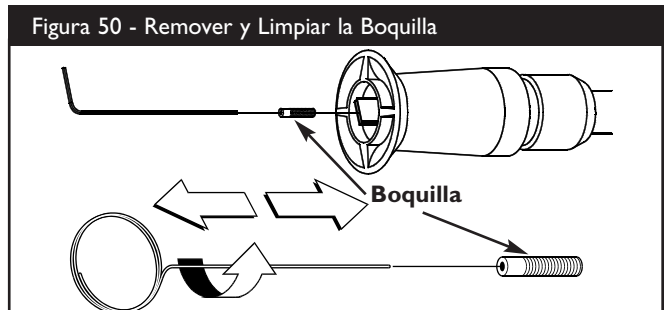
Examine la conexión de la manguera a la pistola y cerciórese de que esté en buen estado. Pruebe el gatillo oprimiéndolo y asegurándose de que se devuelve a su sitio cuando lo suelte. Coloque el cerrojo de seguridad y pruebe el gatillo. Usted no debe ser capaz de oprimir el gatillo. Réplacelo la pistola inmediatamente si falla cualquiera de estas pruebas.

### Mantenimiento de las Boquillas

Si siente una sensación pulsante al momento de apretar el gatillo de la pistola rociadora, puede que sea causada por la presión excesiva en la bomba. La causa principal de la presión excesiva en la bomba es cuando la boquilla se encuentra atascada o tapada con materiales extraños, tales como tierra, etc. Para corregir el problema, limpie inmediatamente la boquilla usando las herramientas incluidas con su lavador a presión y siga las instrucciones siguientes:

#### Boquilla regulable:

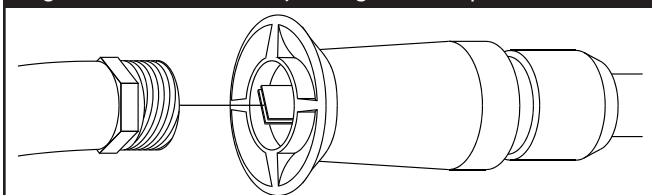
1. Apague el motor y apague el suministro de agua.
2. Separe la extensión de la boquilla, de la pistola rociadora. Gire la boquilla en dirección de las agujas del reloj, a la posición "stream" (chorro). Usando la llave de Allen de 2mm (5/64) provista, remueva la boquilla del extremo de la extensión de la boquilla (Figura 50).





3. Quite el en el filtro de la línea del otro fin de la extensión de boquilla.
4. Use el alambre incluido en el juego (o un pequeño sujeta papeles) para liberar cualquier material extraño que esté tapando la boquilla (Figura 50).
5. Usando una manguera de jardín, remueva cualquier desecho adicional, poniendo agua en la extensión de la boquilla (Figura 51). Haga ésto de 30 a 60 segundos. Gire la extensión de la boquilla ajustable a "stream spray" (chorro rociador) y mueva la boquilla de "low" (bajo) a "high" (alto), mientras drene el agua.

Figura 51 - Suministrar Flujo de Agua a la Boquilla

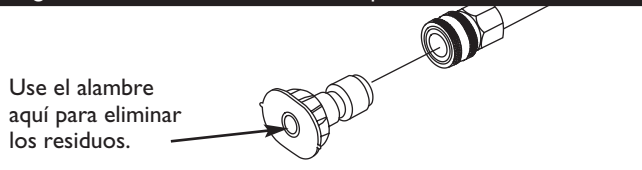


6. Instale de nuevo la boquilla y en el filtro en-línea en la extensión. **NO** la apriete demasiado con la llave Allen.
7. Conecte de nuevo la extensión de la boquilla a la pistola rociadora.
8. Conecte de nuevo el suministro de agua, prenda el agua, y encienda el motor.
9. Pruebe el lavador a presión al hacer funcionar la boquilla en la posición "high" y "low" o con cada una de las boquillas de Conexiones rápidas que viene con el lavador a presión.

#### Boquillas con conector rápido:

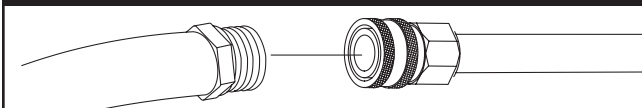
1. Apague el motor y apague el suministro de agua.
2. Remueva la boquilla del extremo de la extensión de la boquilla (Figura 52).

Figura 52 - Mantenimiento de la Boquilla



3. Quite el en el filtro de la línea del otro fin de la extensión de boquilla.
4. Use el alambre incluido en el juego (o un pequeño sujeta papeles) para liberar cualquier material extraño que esté tapando la boquilla (Figura 52).
5. Usando una manguera de jardín, remueva cualquier desecho adicional, poniendo agua en la extensión de la boquilla (Figura 53). Haga ésto de 30 a 60 segundos.

Figura 53 - Suministrar Flujo de Agua a la Boquilla



6. Instale de nuevo la boquilla y en el filtro en-línea en la extensión. No la apriete demasiado con la llave Allen.
7. Conecte de nuevo extensión de boquilla a pistola rociadora.
8. Conecte de nuevo el suministro de agua, prenda el agua, y encienda el motor.
9. Pruebe el lavador a presión al hacer funcionar con cada una de las boquillas de Conexiones rápidas que viene con el lavador a presión.

## Elimine el Aire y los Contaminantes de la Bomba

#### Para retirar el aire de la bomba, siga los siguientes pasos:

1. Instale la máquina lavadora a presión como está descrito en "Preparando El Lavador A Presión Para Su Uso". Conecte el abastecimiento de agua y prenda agua.
2. Estire el disparador en el fusil del rocío y el asidero.
3. Cuándo el agua es constante y constante, compromete el picaporte de la seguridad.

#### Para retirar los contaminantes de la bomba, siga los siguientes pasos:

1. Instale la máquina lavadora a presión como está descrito en "Preparando El Lavador A Presión Para Su Uso". Conecte el abastecimiento de agua y prenda agua.
2. Quite boquilla la extensión del fusil del rocío.
3. Ponga en marcha el motor de acuerdo a las instrucciones de "Cómo Darle Arranque a su Lavadora a Presión".
4. Hale el gatillo de la pistola y manténgalo apretado.
5. Cuando el suministro de agua sea uniforme y constante, enganche el cerrojo de seguridad y vuelva a ajustar la extensión para boquillas.

## Mantenimiento de los Anillos 'O'

Durante la operación normal de su máquina lavadora a presión los anillos 'o' mantienen apretadas y libres de fugas las conexiones de las mangueras y la pistola, ellos pueden desgastarse o dañarse con el uso.

Su máquina lavadora a presión viene con un Juego de Mantenimiento para anillos 'O', el cual contiene anillos 'o', arandela de caucho y un colador de repuesto para la entrada de la manguera de jardín. La nota que no todas las partes en el juego se usarán en su unidad.

Para retirar un anillo 'O' desgastado o dañado; utilice un destornillador de cabeza plana pequeño, colóquelo por debajo del anillo 'o' y sáquelo haciendo palanca.

## Mantenimiento de la Bomba

**NOTA:** Modelo 01806 (2650 PSI) no requiere cualquier conservación de bomba. La pompe est pré-lubrifiée et scellée, et il n'est pas nécessaire de la lubrifier à nouveau.

**Para el modelo 01805 (2500 PSI) & 01936 (2550 PSI):**

### Cambio del aceite de la bomba

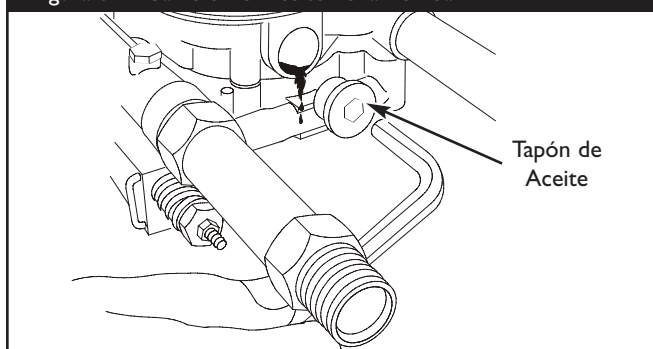
Cambie el aceite cada 50 horas o una vez al año, lo que suceda antes.

**NOTA:** Debe adquirir una botella de aceite para la bomba previamente medido, N° de pieza 190585GS, que le suministrará su distribuidor local.

### Cambie el aceite como se indica a continuación:

1. Vacíe el aceite del motor y el combustible de la limpiadora a presión.
2. Use una 8mm llave allen para extraer el tapón negro de aceite de la bomba que hay entre la salida de presión y la entrada de la manguera de riego (Figura 54).

Figura 54 - Cambio del Aceite de la Bomba



3. Incline la limpiadora a presión hacia un lado para que vaciar completamente la bomba de aceite, y vierta este en un recipiente homologado.
4. Incline la limpiadora a presión hacia el lado contrario y llene la bomba con el aceite recomendado a través del mismo orificio (puede utilizar para ello un embudo pequeño).
5. Instale el tapón negro de aceite de la bomba y apriételo firmemente.
6. Coloque la limpiadora de presión en su posición normal (de pie). Añada combustible y aceite de motor.

## MANTENIMIENTO DEL MOTOR

Consulte el manual del propietario del motor para las instrucciones de cómo mantener adecuadamente el motor.



**¡PRECAUCIÓN!** Evite el contacto prolongado o repetido de piel con aceite usado de motor. El aceite usado del motor ha sido mostrado al cancer de la piel de la causa en ciertos animales del laboratorio. Completamente lavado expuso áreas con el jabón y el agua.



**¡PRECAUCIÓN!** MANTENGA FUERA DE ALCANCE DE NIÑOS. NO CONTAMINE. CONSERVE los RECURSOS. VUELVA ACEITE USADO A la COLECCION CENTRA.

## PREPARANDO LA UNIDAD PARA SU ALMACENAMIENTO

El agua no debe permanecer en la unidad por un largo periodo de tiempo. Los sedimentos o minerales se pueden depositar en las piezas de la bomba y "congelar" la acción de la bomba. Si usted no piensa usar el lavador a presión por mas de 30 días, siga este procedimiento:

1. Vacíe el tubo de detergente, colocando el filtro en un envase lleno de agua limpia mientras esté corriendo el agua a baja presión (la lanza ajustable en la posición hacia adelante). Lave por 1 o 2 minutos.
2. Apague el motor y permita refrescar, entonces quita mangas altas de presión y jardín. Desconecte el alambre de la bujía.
3. Vacíe todos los líquidos presentes en la bomba, halando la manecilla de retroceso hasta seis veces. Esto debería remover la mayor parte de los líquidos presentes en la bomba.
4. Ponga anticongelante RV (que no contenga alcohol) en la bomba, en una sección de 3 pies de la manguera del jardín conectada a un adaptador y halando la manecilla dos veces.  
Si disponible, el uso PumpSaver en lugar de anticongelante de RV y seguir paquete las instrucciones.
5. Almacene la unidad en un lugar limpio y seco.

## ALMACENANDO EL MOTOR

Consulte el manual del propietario del motor para las instrucciones de cómo preparar adecuadamente el motor para su almacenamiento.



## REPARACION DE AVERIAS

Problema	Causa	Solución
<p><b>La bomba presenta los siguientes problemas: no produce presión, produce una presión errada, traqueteo, pérdida de presión, bajo volumen de agua.</b></p>	<ol style="list-style-type: none"> <li>1. La boquilla está en el modo de baja presión.</li> <li>2. La entrada de agua está bloqueada.</li> <li>3. Suministro de agua inadecuado.</li> <li>4. La manguera de entrada está doblada o presenta fugas.</li> <li>5. El colador de la manguera de entrada está tapado.</li> <li>6. El suministro de agua está por encima de los 100°F.</li> <li>7. La manguera de alta presión está bloqueada o presenta fugas.</li> <li>8. La pistola presenta fugas.</li> <li>9. La boquilla está obstruida.</li> <li>10. Bomba defectuosa.</li> </ol>	<ol style="list-style-type: none"> <li>1. Mueva la boquilla hacia atrás para el modo de alta presión.</li> <li>2. Limpie la entrada.</li> <li>3. Proporcione flujo de agua adecuado.</li> <li>4. Estire la manguera de entrada, coloque un parche en la fuga.</li> <li>5. Revise y limpie el colador de la manguera de entrada.</li> <li>6. Proporcione suministro de agua más fría.</li> <li>7. Retire las obstrucciones de la manguera de salida.</li> <li>8. Reemplace la pistola.</li> <li>9. Limpie la boquilla.</li> <li>10. Póngase en contacto con el centro de servicio Briggs and Stratton Power Products.</li> </ol>
<p><b>El detergente no se mezcla con el rociado.</b></p>	<ol style="list-style-type: none"> <li>1. El tubo de succión de detergente no está sumergido.</li> <li>2. El filtro de químicos está tapado.</li> <li>3. Sucio en el filtro de la línea.</li> <li>4. La boquilla está en el modo de alta presión.</li> </ol>	<ol style="list-style-type: none"> <li>1. Coloque el tubo de succión de detergente en el detergente.</li> <li>2. Limpie o reemplace el filtro/tubo de succión de detergente.</li> <li>3. Vea "Cheque En el Filtro de la Línea".</li> <li>4. Mueva la boquilla hacia adelante para el modo de baja presión.</li> </ol>
<p><b>El motor funciona bien cuando no tiene cargas, pero funciona "mal" cuando se conecta una carga.</b></p>	<p>La velocidad del motor es demasiado lenta.</p>	<p>Mueva el control de la válvula de regulación a la posición FAST (RAPIDO). Si el motor continua funcionando mal, póngase en contacto con el centro de servicio Briggs and Stratton.</p>
<p><b>El lavadora de presión se apaga durante la operación.</b></p>	<p>Sin gasolina.</p>	<p>Llene el tanque de combustible.</p>

**POLÍTICA DE GARANTÍA PARA EL PROPIETARIO DE EQUIPOS  
BRIGGS & STRATTON POWER PRODUCTS GROUP, LLC**

**GARANTÍA LIMITADA**

Briggs & Stratton Power Products Group, LLC reparará o sustituirá sin cargo alguno cualquier componente del equipo que presente defectos de materiales y/o mano de obra. Los gastos de transporte de las piezas enviadas para reparar o sustituir conforme a los términos de esta garantía correrán a cargo del comprador. El periodo de vigencia y las condiciones de esta garantía son los que se estipulan a continuación. Para obtener servicio en garantía, localice el distribuidor de servicio autorizado más próximo en nuestro mapa de distribuidores, en [www.briggspowerproducts.com](http://www.briggspowerproducts.com).

NO EXISTE NINGUNA OTRA GARANTÍA EXPLÍCITA. LAS GARANTÍAS IMPLÍCITAS, INCLUIDAS LAS DE COMERCIABILIDAD O IDONEIDAD PARA UN FIN CONCRETO, SE LIMITAN A UN AÑO DESDE LA FECHA DE COMPRA O AL LÍMITE DE TIEMPO PERMITIDO POR LA LEY. QUEDAN EXCLUIDAS TODAS LAS GARANTÍAS IMPLÍCITAS QUEDA EXCLUIDA LA RESPONSABILIDAD POR DAÑOS SECUNDARIOS Y DERIVADOS HASTA EL LÍMITE PERMITIDO POR LA LEY. Algunos países o estados no permiten limitar la duración de una garantía implícita ni excluir o limitar los daños secundarios y derivados. Por tanto, es posible que las limitaciones y exclusiones mencionadas no sean aplicables en su caso. Esta garantía le otorga determinados derechos legales y es posible que tenga otros derechos que pueden variar de un país o estado a otro.

**NUESTRO EQUIPO\***

MOTOR FUERABORDA	LIMPIADORA A PRESIÓN	BOMBA DE AGUA (No disponible en EE.UU.)	GENERADOR PORTÁTIL	SISTEMA GENERADOR DOMÉSTICO (Incluye el conector, si se ha adquirido con el equipo.) Menos de 10 kW    10 kW ó más	CONECTADOR
------------------	----------------------	--	--------------------	--	------------

**PERÍODO DE GARANTÍA\*\***

	MOTOR FUERABORDA	LIMPIADORA A PRESIÓN	BOMBA DE AGUA (No disponible en EE.UU.)	GENERADOR PORTÁTIL	SISTEMA GENERADOR DOMÉSTICO (Incluye el conector, si se ha adquirido con el equipo.) Menos de 10 kW    10 kW ó más	CONECTADOR
Uso del consumidor	2 años	1 año	1 año	2 años	2 años	3 años ó 1.500 horas
Uso comercial	ninguno	90 días	90 días	ninguno	ninguno	1 año

\* El motor y las baterías de arranque sólo están cubiertos por la garantía de su fabricante.

\*\* 2 años para todos los productos de consumo en la Unión Europea. Componentes sólo durante el segundo año para uso del consumidor del generador portátil y del sistema generador doméstico - Menos de 10 kW fuera de la Unión Europea.

El periodo de garantía comienza en la fecha de compra del primer consumidor o usuario comercial final y se prolonga durante el tiempo especificado en la siguiente tabla. "Uso del consumidor" significa uso doméstico personal por parte de un consumidor final. "Uso comercial" significa cualquier otro uso, incluidos los usos con fines comerciales, de generación de ingresos o alquiler. Una vez que el equipo se haya usado con fines comerciales, se considerará como equipo de uso comercial a efectos de esta garantía. **Los equipos utilizados para suministrar energía en sustitución de un servicio público no pueden acogerse a esta garantía. Las limpiadoras a presión con alimentación eléctrica para fines comerciales no están cubiertas por la garantía.**

**NO ES NECESARIO REGISTRAR LA GARANTÍA PARA OBTENER SERVICIO DE BRIGGS & STRATTON PRODUCTS. GUARDE SU RECIBO DE COMPRA. SI NO APORTA LA PRUEBA DE LA FECHA DE COMPRA INICIAL, SE UTILIZARÁ LA FECHA DE FABRICACIÓN DEL PRODUCTO PARA DETERMINAR EL PERÍODO DE GARANTÍA.**

**ACERCA DE LA EQUIPO GARANTÍA**

Esperamos que disfrute de nuestra garantía y le pedimos disculpas por las molestias causadas. Cualquier distribuidor de servicio autorizado puede llevar a cabo reparaciones en garantía. La mayoría de las reparaciones en garantía se gestionan normalmente, pero algunas veces la solicitud de servicio en garantía puede no ser procedente. Por ejemplo, la garantía no será válida si el equipo presenta daños debidos al mal uso, la falta de mantenimiento, el transporte, la manipulación, el almacenamiento o la instalación inadecuados. De manera similar, la garantía quedará anulada si se ha borrado la fecha de fabricación o el número de serie del equipo, o si el equipo ha sido alterado o modificado. Durante el periodo de garantía, el distribuidor de servicio autorizado podrá reparar o sustituir, a su libre elección, cualquier pieza que, previa inspección, sea defectuosa en condiciones normales de uso y servicio. Esta garantía no cubre las reparaciones y equipos que se detallan a continuación:

- **Desgaste normal:** Al igual que cualquier otro aparato mecánico, los equipos de uso en exteriores necesitan piezas y mantenimiento periódicos para funcionar correctamente. Esta garantía no cubre las reparaciones cuando el uso normal haya agotado la vida útil de una pieza concreta del equipo.
- **Instalación y mantenimiento:** Esta garantía no cubre los equipos ni las piezas cuya instalación sea incorrecta o no haya sido autorizada, ni aquellos que hayan sido objeto de cualquier tipo de alteración, mal uso, negligencia, accidente, sobrecarga, exceso de velocidad o mantenimiento, reparación o almacenamiento inadecuados que, a nuestro juicio, haya afectado negativamente a su funcionamiento y su fiabilidad. La garantía tampoco cubre el mantenimiento normal, como los ajustes y la limpieza, o la obstrucción del sistema de combustión (debido a materias químicas, suciedad, carbón, cal, etc.).
- **Otras exclusiones:** También quedan excluidos de esta garantía el desgaste de los artículos tales como conectores, medidores de aceite, correas, juntas tóricas, filtros, juntas de bombas, etc., las bombas que se hayan hecho funcionar sin agua y los daños derivados de accidentes, uso indebido, modificaciones, alteraciones, servicio inadecuado, congelación o deterioro químico. Los accesorios tales como pistolas, mangueras, varillas y boquillas quedan excluidos de la garantía del producto. También se excluyen los equipos usados o reacondicionados y los destinados a demostraciones; los equipos utilizados como fuente principal de energía en lugar de un servicio público y los equipos sanitarios destinados al mantenimiento de las constantes vitales.





**ELITE Series™**

# Pressure Washer Lavador a Presión

Illustrated Parts List  
Las Partes ilustradas Listan

**01806  
(2650 PSI)**



Questions? Help is just a moment away!

Preguntas? La ayuda es justa un momento lejos!

Call: Pressure Washer Helpline - 1-800-743-4115 M-F 8-5 CT

Llamada: Lavador a Presión Helpline - 1-800-743-4115 M-F 8-5 CT

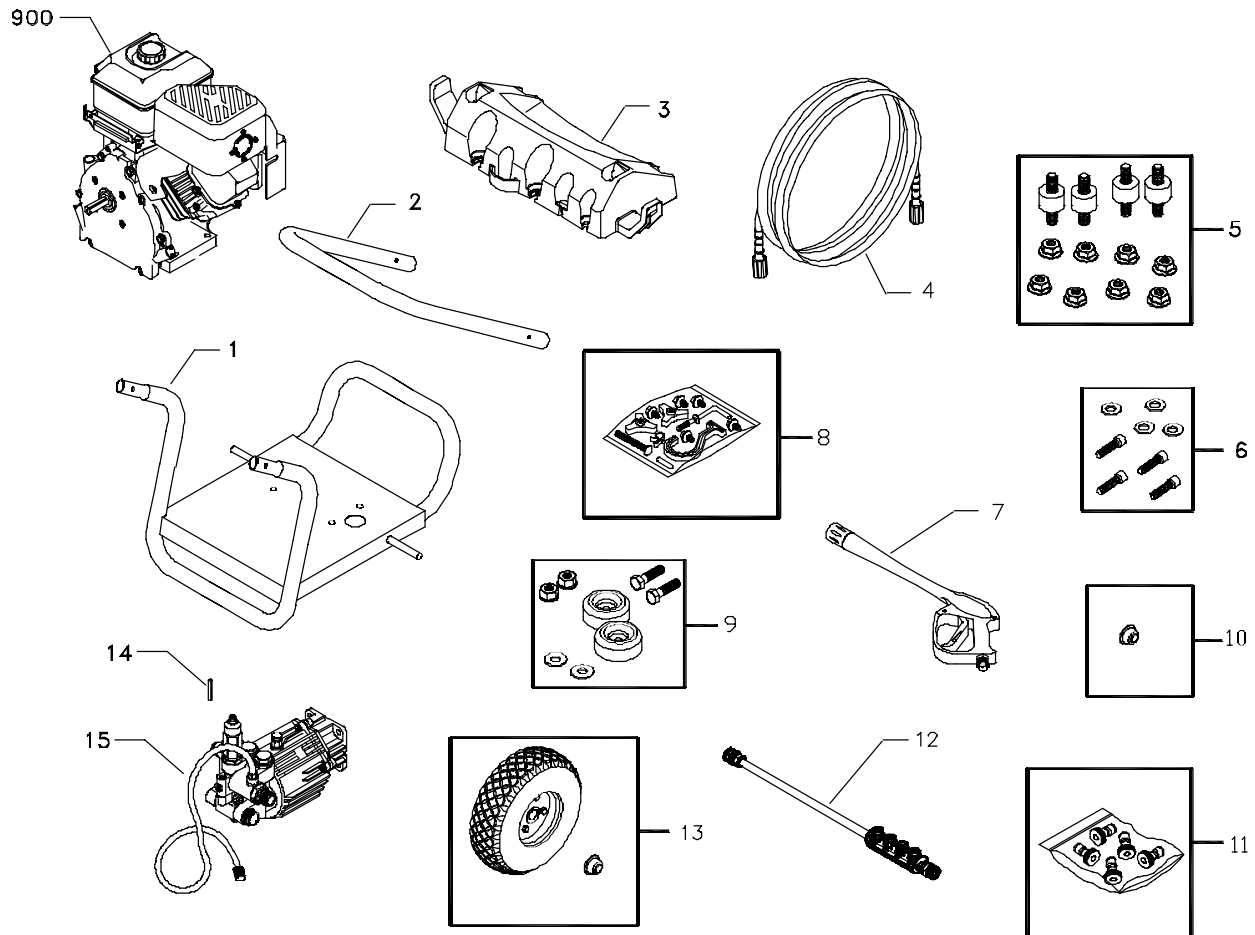
**BRIGGS & STRATTON POWER PRODUCTS GROUP, LLC**  
**JEFFERSON, WISCONSIN, U.S.A.**

IPL No. 193111GS  
Revision 1 (05/15/2003)



0 24847 05558 0

## EXPLODED VIEW AND PARTS LIST - MAIN UNIT

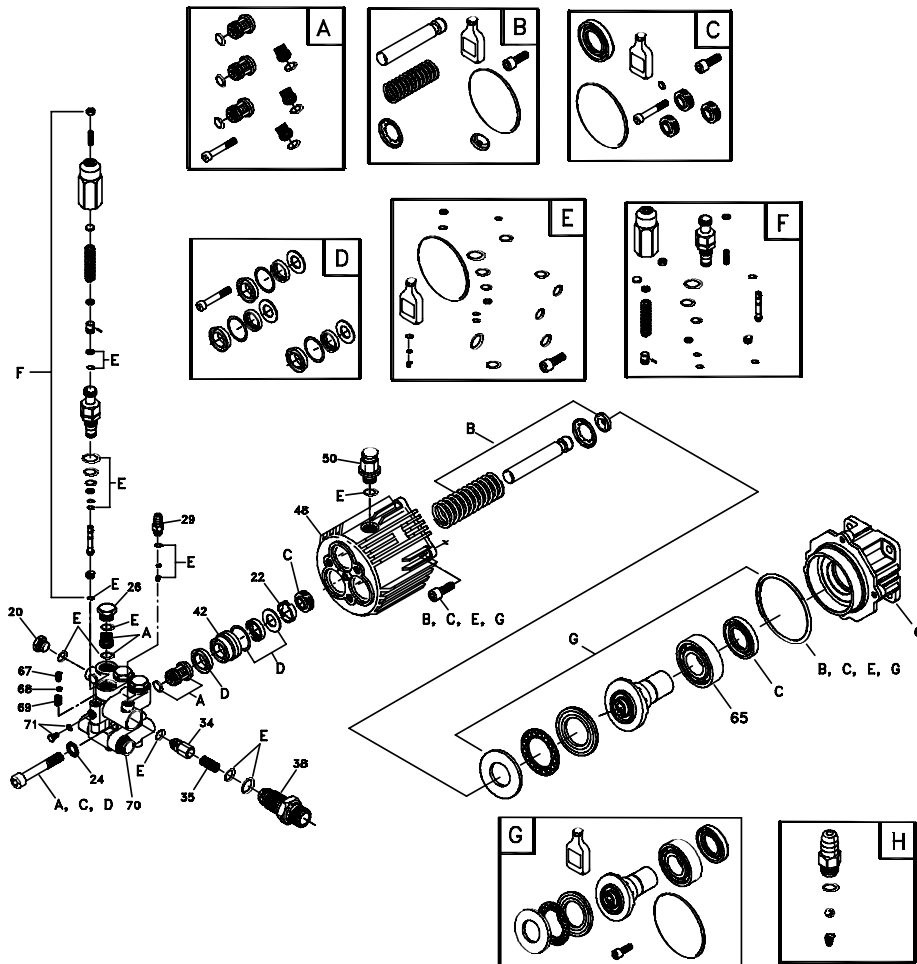


Item	Part #	Description	Item	Part #	Description
1	B190156GS	BASE	9	I92553GS	KIT,Vibration Mount
2	B187602GS	HANDLE	10	I90147GS	PUSHNUT
3	I92734GS	ASSY, Billboard	11	B5646GS	KIT, Spray Tip
4	I85877GS	HOSE	12	I92199GS	EXTENSION
5	I92134GS	KIT, Engine Mounting Hardware	13	I92526GS	KIT,Wheel
6	I92131GS	KIT, Pump Mounting Hardware	14	23139BGS	KEY
7	B3263GS	GUN	15	I93087GS	ASSY, Pump (see page 3)
8	I90668GS	KIT, Handle Fasteners	900	NSP	ENGINE

**Items Not Illustrated:**

Part #	Description
I91678GS	MANUAL, Owner's
I93111GS	MANUAL, Illustrated Parts List
I92795GS	KIT, Decals
BB3061BGS	OIL, Engine
I91922GS	KIT, O-Ring Maint & NZZL CLNNG

## EXPLODED VIEW AND PARTS LIST - PUMP



Item	Part #	Description
20	190638GS	PLUG
22	190639GS	SPACER
24	190640GS	WASHER
26	190641GS	PLUG
29	190642GS	HOSE TAIL
34	190643GS	JET
35	190644GS	SPRING
38	190645GS	INJECTOR, Detergent
42	190646GS	PISTON, Guide
48	190647GS	HOUSING
50	191441GS	VENT, CAP
64	193124GS	FLANGE
65	193125GS	BALL BEARING
67	190651GS	GRUB SCREW
68	190652GS	BALL

Item	Part #	Description
69	190653GS	SPRING
70	190654GS	PUMP HEAD
71	190655GS	GRUB SCREW & WASHER
72	190656GS	OIL BOTTLE
A	190657GS	KIT, CHECK VALVE
B	190658GS	KIT, PISTON SET
C	193129GS	KIT, SEAL OIL
D	190660GS	KIT, SEAL HIGH PRESSURE
E	190677GS	KIT, O-RINGS
F	193126GS	KIT, UNLOADER
G	193127GS	KIT, CAM & BEARING
H	192914GS	KIT, CHEMICAL INJECT

**NOTE:** Item letters A - H are service kits and include all parts shown within the box.

## NOTES