

Professional Disc for DATA Unit

User's Guide _____	GB
Guides de l'utilisateur _____	FR
Benutzerhandbücher _____	DE
Guías del usuario _____	ES
Guide dell'utente _____	IT



BW-RS101
BW-RU101

Safety Regulations

Owner's Record

The model and serial numbers are located on the bottom of the units. Record the serial number in the space provided below.

Refer to them whenever you call upon your Sony dealer regarding these products.

Model No. BW-RS101, BW-RU101

Serial No. _____

Information

You are cautioned that any changes or modifications not expressly approved in this manual could void your authority to operate this equipment.

This equipment has been tested and found to comply with the limits for a Class B digital device, pursuant to Part 15 of the FCC Rules. These limits are designed to provide reasonable protection against harmful interference in a residential installation. This equipment generates, uses, and can radiate radio frequency energy and, if not installed and used in accordance with the instructions, may cause harmful interference to radio communications. However, there is no guarantee that interference will not occur in a particular installation. If this equipment does cause harmful interference to radio or television reception, which can be determined by turning the equipment off and on, the user is encouraged to try to correct the interference by one or more of the following measures:

- Reorient or relocate the receiving antenna.
- Increase the separation between the equipment and receiver.
- Connect the equipment into an outlet on a circuit different from that to which the receiver is connected.
- Consult the dealer or an experienced radio/TV technician for help.

These devices require shielded interface cables to comply with FCC emission limits.

If you have any questions about these products, you may call: Sony Customer Information Center 1-800-352-SONY(7669) or write to: Sony Customer Information Center 3300 Zanker Road, San Jose, CA 95134.

Declaration of Conformity

Trade Name: SONY
Model No.: BW-RS101, BW-RU101
Responsible Party: Sony Electronics Inc.
Address: 16450 W. Bernardo Dr.,
San Diego, CA 92127 U.S.A.
Telephone No.: 858-942-2230

These devices comply with Part 15 of the FCC Rules. Operation is subject to the following two conditions: (1) These devices may not cause harmful interference, and (2) These devices must accept any interference received, including interference that may cause undesired operation.

WARNING

To prevent fire or shock hazard, do not expose the units to rain or moisture.

To avoid electrical shock, do not open the cabinet. Refer servicing to qualified personnel only.

Caution

As the laser beams used in the BW-RS101 and BW-RU101 are harmful to the eyes, do not attempt to disassemble the units.

Refer servicing to qualified personnel only.

The use of controls or adjustments or performance of procedures other than those specified herein may result in hazardous radiation exposure.

This label is affixed inside the units.

CAUTION	CLASS 2M LASER RADIATION WHEN OPEN. DO NOT STARE INTO THE BEAM OR VIEW DIRECTLY WITH OPTICAL INSTRUMENTS.
ATTENTION	RADIATIONS LASER DE CLASSE 2M EN CAS D'OUVERTURE. NE PAS REGARDER LE FAISCEAU OU LE REGARDER DIRECTEMENT AVEC DES INSTRUMENTS OPTIQUES.
VORSICHT	KLASSE 2M LASERSTRAHLUNG WENN GEÖFFNET. NICHT IN DEN STRAHL BLICKEN, NICHT DIREKT MIT OPTISCHEN INSTRUMENTEN IN DEN STRAHL BLICKEN.
ADVARSEL	LASERSTRÅLING AF KLASSE 2M VED ÅBNING. SE IKKE IND I STRÅLEN OG KIG IKKE DIREKTE PÅ DEN MED OPTISKE INSTRUMENTER.
ADVARSEL	LASERSTRÅLING I KLASSE 2M NÅR ÅPEN. STIRR IKKE INN I STRÅLEN ELLER SE DIREKTE MED OPTISKE INSTRUMENTER.
VARNING	KLASS 2M LASERSTRÅLING NÅR DENNA DEL ÄR ÖPPNAD. STIRRA EJ IN I STRÅLEN OCH BETRÄKTA EJ STRÅLEN MED OPTISKA INSTRUMENT.
VARO!	AVATTUNA LUOKAN 2M LASERSÄTEILYÄ. ÄLÄ TUJOTA SÄTEESEEN ÄLÄKÄ. KATSO SITÄ SUORAAN OPTISEN LAITTEEN LÄPI.

This “Professional Disc for DATA” units are classified as CLASS 1 LASER PRODUCTS.

The CLASS 1 LASER PRODUCT label is located on the bottom exterior.



LUOKAN 1 LASERLAITE
KLASS 1 LASER APPARAT

Caution

The mains plug on this equipment must be used to disconnect mains power. Please ensure that the socket outlets are installed near the equipment and shall be easily accessible.

Disposal of Old Electrical & Electronic Equipment (Applicable in the European Union and other European countries with separate collection systems)



This symbol on the product or on its packaging indicates that this product shall not be treated as household waste. Instead it shall be handed over to the applicable collection point for the recycling of electrical and electronic equipment. By ensuring this product is disposed of correctly, you will help prevent potential negative consequences for the environment and human health, which could otherwise be caused by inappropriate waste handling of this product. The recycling of materials will help to conserve natural resources. For more detailed information about recycling of this product, please contact your local city office, your household waste disposal service or the shop where you purchased the product.



and “Professional Disc for DATA” are trademarks of Sony Corporation.

GB

- The manufacturer disclaims all responsibility for any losses incurred through malfunction or use of this product.
- The manufacturer does not warrant the security of data stored using this product. To guard accidental data loss, frequent backup of important data is highly recommended.
- Reproduction of the contents of this manual, in whole or in part, is prohibited.

Table of Contents

Safety Regulations	2
Owner's Record	2
Information.....	2
Declaration of Conformity	2
WARNING	3

Chapter 1 Introduction

Overview.....	5
Features	5
Compatible Discs	5
System Configuration	6
BW-RS101 System Configuration.....	6
BW-RU101 System Configuration	6
Part Location and Function	7
BW-RS101/BW-RU101 Front Panel.....	7
BW-RS101 Rear Panel.....	8
BW-RU101 Rear Panel.....	9

Chapter 2 Getting Started

Component and Accessory Checklist	10
BW-RS101 Accessory Checklist	10
BW-RU101 Accessory Checklist.....	11
When using the unit placed vertically	12
Connecting the Unit	13
Connecting the BW-RS101.....	13
Connecting the BW-RU101	14
Setting Functions/SCSI ID	15
BW-RS101 Function Settings.....	15
BW-RU101 Function Settings	18
Using Discs	20
Inserting a Disc	20
Ejecting a Disc	23
What to Do when You Cannot Eject a Disc.....	24
About Handling Discs	25
How to Protect Disc Data.....	25

Chapter 3 Usage Precautions

Unit Usage Precautions	26
-------------------------------------	-----------

Chapter 4 Specifications

Specifications	28
Disc Specifications.....	28
Specifications	28

Introduction | Chapter

1

Overview

Features

The Sony BW-RS101/BW-RU101 “Professional Disc for DATA” Unit comes with the following features.

- The “Professional Disc for DATA” external optical disc unit uses a short-wave blue violet laser with a wavelength of 405 nm.
- The powerful objective lens used for focusing the laser beam has a numerical aperture of 0.85, resulting in a track pitch of only 0.32 μm . This makes writing as much as 23.3 GB of data on one side of a disc possible.
- A 0.1 mm cover layer enables a high tilt tolerance.
- The overall thickness of the 120 mm discs is 1.2 mm and the recording layer has a cover layer of only 0.1 mm thick. This effectively increases the margin of error when the disc tilts or bends. Tilt tolerance is thus enough to enhance reliability for read/write operations.
- The BW-RS101 uses SCSI-3 (Ultra 160 LVD/SE SCSI).
- The BW-RU101 uses Hi-Speed USB (USB 2.0).
- The seek time in the CAV is 110 ms (1/3 stroke) or 200 ms (full stroke).
- In CLV mode, the high-speed spindle motor allows for a 9 MB/s write data transfer speed and a 10.8 MB/s read data transfer speed.
- In CAV, the high-speed spindle motor allows for 4.5 to 9 MB/s write data transfer speed and 4.5 to 10.8 MB/s read transfer speed.

Compatible Discs

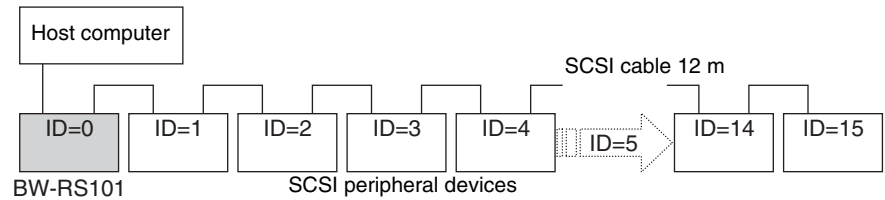
The BW-RS101 and BW-RU101 are compatible with two types of discs.

Disc name	Type	Capacity	Disc diameter
PDDRW23	Rewritable	23.3 GB	120 mm
PDDWO23	Write-once	23.3 GB	120 mm

System Configuration

BW-RS101 System Configuration

The BW-RS101 is connected to a host computer through its SCSI interface. A maximum of fifteen peripheral devices can be connected in a daisy chain on the SCSI bus. See “SCSI Cables” on page 13 for details.



Note

The BW-RS101 supports single-ended (SE) and low-voltage differential (LVD) SCSI configurations. When a single daisy chain is both of the LVD and SE configuration, the transfer rate conforms to SE specifications.

BW-RU101 System Configuration

The BW-RU101 is connected to a host computer through its USB interface. A maximum of 127 peripheral devices can be connected to a host computer through USB Hub. See “USB Cables” on page 14 for details.

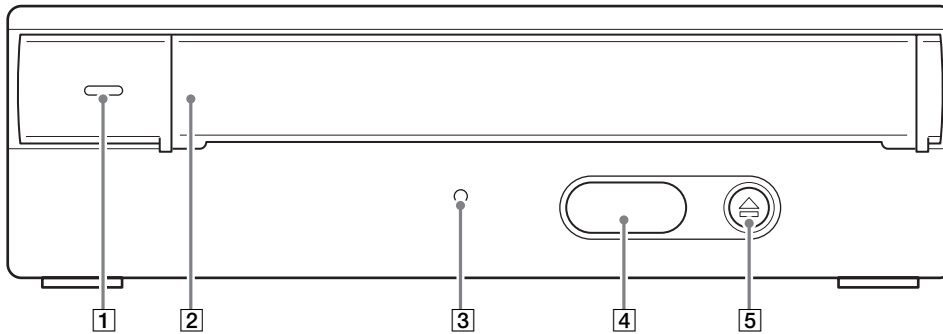
Note

The BW-RU101 complies with Hi-Speed USB (USB 2.0), which also complies to USB 1.1. Although with Hi-Speed USB the maximum transfer rate is 480 Mbps, with USB 1.1 the transfer rate conforms to the USB 1.1 specification of a maximum 12 Mbps.

Part Location and Function

This section describes the parts of the “Professional Disc for DATA” units BW-RS101 and BW-RU101 and gives an overview of their functions.

BW-RS101/BW-RU101 Front Panel



1 Power indicator

Lights green when the unit is on.

2 Slot cover

When inserting a disc, open this slot cover by pulling it toward you. After inserting the disc, close the slot cover. The cover opens automatically when you eject a disc, but you need to close it manually. See “Inserting a Disc” on page 20 for details.

3 Busy indicator

Alternates between green and amber when the unit is reading or writing data. Do not eject the disc when the indicator is amber.

4 Emergency eject hole cover

In emergency only, remove this hole cover and then eject the disc. See “What to Do when You Cannot Eject a Disc” on page 24 for details.

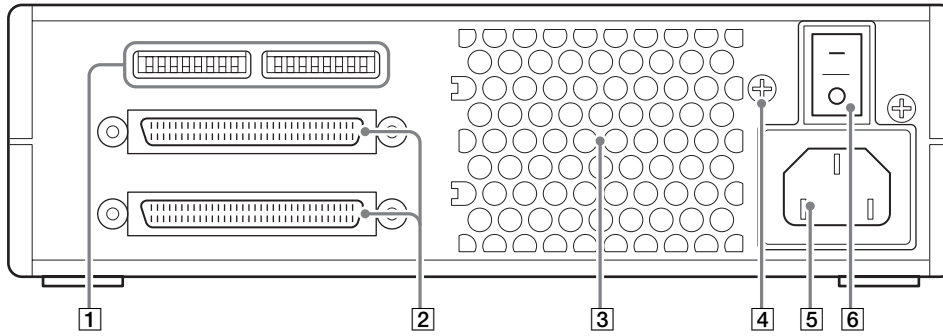
5 Eject button

Press this button to eject a disc from the unit. You cannot use the eject button to eject the disc when the unit is off.

Note

If write cache is used, pressing the eject button writes data in the cache memory to the disc, and so it may take a while to eject the disc.

BW-RS101 Rear Panel



1 Function switches

Use these switches to set the SCSI ID and unit functions. See “BW-RS101 Function Settings” on page 15 for details

2 SCSI connectors

Connect SCSI cables (sold separately) to these connectors to link the host computer and/or other SCSI devices.

3 Air duct

Air is sucked through the duct for cooling the unit.

Note

Make sure that you do not block the air duct or impede the air flow.

4 F.GND (ground terminal)

Connect the ground terminals of other devices to the unit's frame ground.

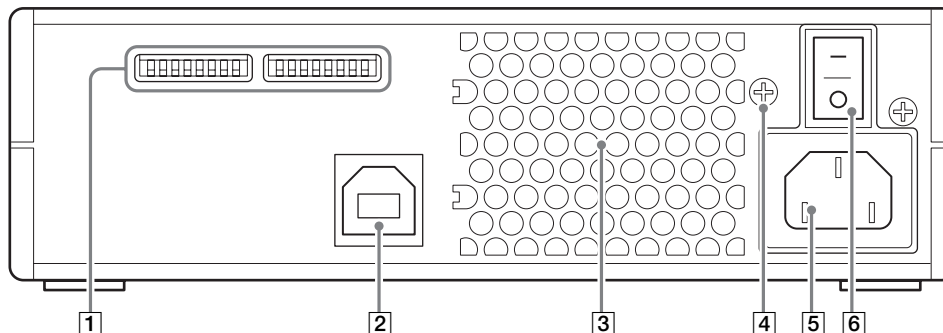
5 AC IN connector

Connect the supplied AC power cord to this connector.

6 Power switch

Pressing the “I” side turns on the power. To turn off the power, press the “O” side.

BW-RU101 Rear Panel



1 Function switches

Use these switches to set the unit functions. See “BW-RU101 Function Settings” on page 18 for details

2 USB connector

Connect the USB cable supplied to link the host computer and/or the USB Hub.

3 Air duct

Air is sucked through the duct for cooling the unit.

Note

Make sure that you do not block the air duct or impede the air flow.

4 F.GND (ground terminal)

Connect the ground terminals of other devices to the unit's frame ground.

5 AC IN connector

Connect the supplied AC power cord to this connector.

6 Power switch

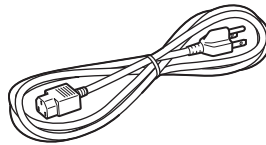
Pressing the “I” side turns on the power. To turn off the power, press the “O” side.

Component and Accessory Checklist

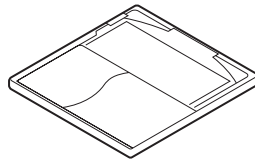
Upon opening the unit package, make sure that all the components and accessories listed below are present. If you find any missing and/or damaged items, contact your dealer.

BW-RS101 Accessory Checklist

- AC power cord



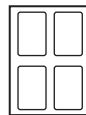
- Disc (PDDRW23)



- Guide to Safe Use (Safety Precautions)



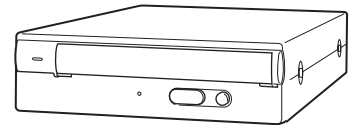
- Protection cushion sheet



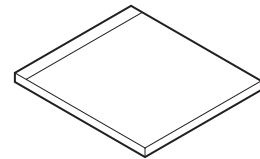
- Warranty Card



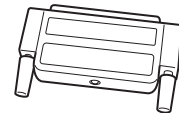
- BW-RS101 "Professional Disc for DATA" Unit



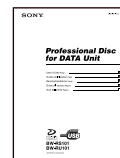
- Formatting Utility



- LVD/SE terminator

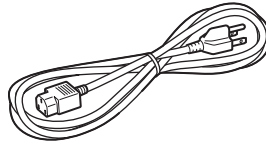


- User's guide (this document)

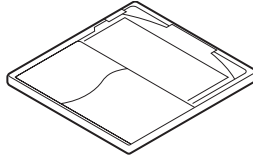


BW-RU101 Accessory Checklist

- AC power cord



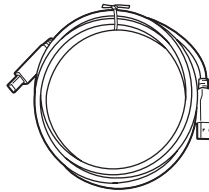
- Disc (PDDRW23)



- Guide to Safe Use (Safety Precautions)



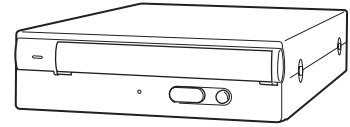
- USB 2.0 cable



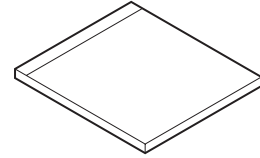
- Warranty Card



- BW-RU101 “Professional Disc for DATA” Unit



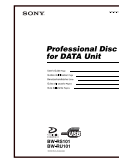
- Formatting Utility



- Protection cushion sheet



- User’s guide (this document)

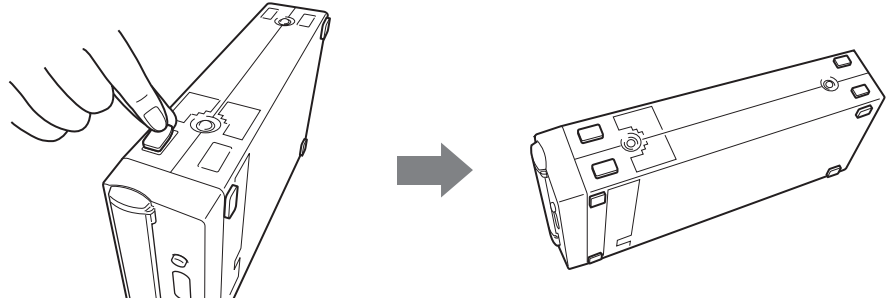


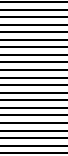
When using the unit placed vertically

Be sure to stick the supplied protection cushion sheets to the four points as illustrated bellow before using the unit. Using the unit placed vertically without sticking the cushion sheets may cause scratch the unit and/or unstable operations.

How to Stick the Protection Cushion Sheet

Stick the protection cushion sheet to the four indentations on the base of the unit.





Connecting the Unit

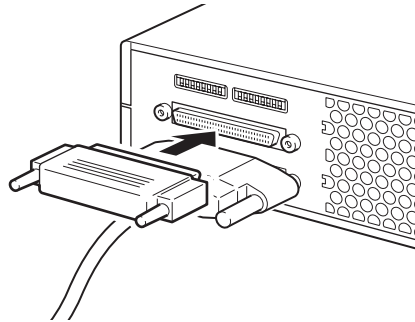
Connecting the BW-RS101

You can connect the unit to one host computer through a SCSI bus that has up to 15 devices connected in a daisy chain.

Note

Before connecting the unit, make sure to turn off the unit and all the other devices on the SCSI chain.

- 1 Connect a SCSI cable to the SCSI connector of the unit to connecting a host computer or another SCSI device.
- 2 If the unit is the last device on the SCSI daisy chain, connect the supplied terminator to one of the SCSI connectors as illustrated below.



- 3 Connect the AC power cord to the AC IN connector on the unit.

SCSI Cables

You can use a 68-signal conductor, flat cable or a 34-signal twisted cable as the LVD/SE cable. To achieve a high transfer rate, the total length of SCSI cables should not exceed 6 m in a SE configuration. In a LVD SCSI configuration, the cables should not exceed 12 m.

SCSI Terminator

If the unit is the last device on the SCSI daisy chain, be sure to connect the supplied terminator or a separately purchased terminator because the unit has no internal terminator. The unit will not operate properly unless you use the appropriate terminator.

Note

If you use a terminator other than the one supplied with the unit, be sure to only use a terminator that conforms to SPI3:ANSI NCITS:336:2000.

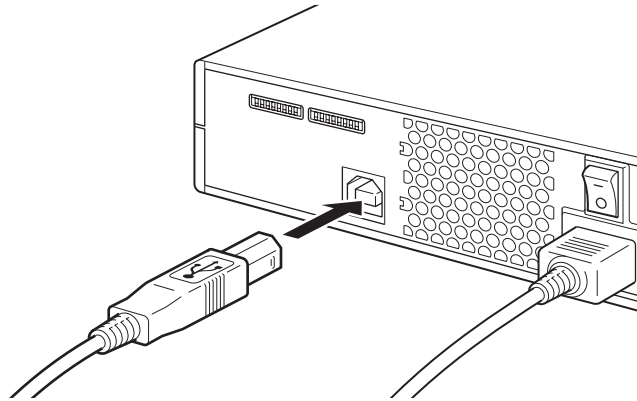
Connecting the BW-RU101

Connect the unit to the host computer through a USB cable. You can use a USB Hub to connect up to 127 USB devices. Because BW-RU101 supports hot-plug, you can plug in, use, and unplug BW-RU101 without having to shut down the host computer.

Note

Before connecting the unit, make sure that it is off.

- 1 Connect the USB cable to the USB connector of the unit.
- 2 Connect the AC power cord to the AC IN connector of the unit.



USB Cables

To achieve high transfer rate and stable operations, the length of the USB cables should not exceed 5m.

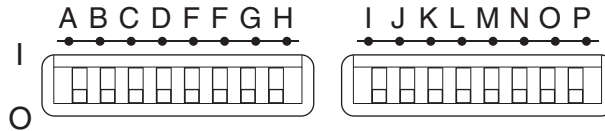
Even though BW-RU101 is a hot-plug device, data may be lost when unplug the USB cable, so confirm the following items before unplug the USB cable.

- Data saved to the disc is not accessed from an application or software.
- The BUSY indicator is off or lit green.
- The disc has been ejected. (Turning the unit off after ejecting the disc is recommended.)

Setting Functions/SCSI ID

BW-RS101 Function Settings

Use the function switches A to P on the rear panel of the unit to set the unit's functions and SCSI ID according to the host computer and software that you are using. Make sure that the unit is off before setting the switches.



Switch	Function	1	0
A	Terminator Power	Supply POWER to the terminator enabled	Supply POWER to the terminator disabled
B	Force CAV	All operations are performed in CAV seek mode.	Optimum mode enabled. (Automatic CAV/CLV selection)
C	Background format control	Background Format mode enabled	Background Format mode disabled
D	Reserved*	—	
E	Reserved*		
F	Inhibit Verify	Do not verify writes	Verify write operations
G	Write Cache control	Write caching disabled	Write caching enabled
H	Device Type	Report 00H as device type (Direct Access device)	Report 07H as device type (Optical Memory device)
I	SCSI Parity Check	SCSI parity check enabled	SCSI parity check disabled
J	Reserved*	—	
K	Reserved*		
L	Reserved*		
M	SCSI ID 3	To set the SCSI ID, see "BW-RS101 SCSI ID Settings" on page 17.	
N	SCSI ID 2		
O	SCSI ID 1		
P	SCSI ID 0		

■ :Factory Settings

BW-RS101 Function switch settings

Note

- **Reserved***

Do not set any of the reserved switches to 1, changing the reserved switches setting may cause the unit failure.

- **Background Formatting**

This unit is equipped with a background formatting function. To improve the reliability of writing data, executing a physical format before using an unused disc is highly recommended. If you disable the background formatting function, you can start the physical format in the foreground by issuing the FORMAT command. During the format, the unit scans whole sectors of the disc to detect any defect sectors and register them as defective sectors. It takes around 80 minutes to complete. If you enable the background formatting function, the unit starts the physical format automatically in the background without having to receive the FORMAT command. Therefore, you can even read and write data during the format. It takes at least 135 minutes to complete.

Cautions

- **Background Formatting Precautions**

Never turn off the unit without making sure that the disc is removed when the disc is in the background formatting process. The unit may not write data properly and mark them as the defective sectors if you turn off the unit without ejecting the disc during the background formatting. Before turning off the unit, be sure to eject the disc using the EJECT command or pressing the eject button.

- **Inhibit Verify**

Using a physical formatted disc is highly recommended if you inhibit verify for writes. Although disable verify for writes quicken the write transfer rate, but may reduce the reliability of written data. Even if you inhibit verify for writes, if the disc is not physical formatted, the drive forces verify for all write operations.

- **Write Cache Precautions**

This unit is equipped with a write cache function. When the write cache is enabled, never turn off the unit power without making sure that all data has been written to the disc from the cache memory. Data will be lost if you turn off the power before all data in cache memory has been written to the disc. Before turning off the unit power, be sure to eject the disc, as this writes data from cache memory to the disc. Further, even though the unit will periodically flush data from cache memory periodically to the disc, data may be lost in the case of a power failure.

BW-RS101 SCSI ID Settings

Use function switches M to P to set the SCSI ID.

SCSI ID	Function switch			
	P (SCSI 0)	O (SCSI 1)	N (SCSI 2)	M (SCSI 3)
0	OFF	OFF	OFF	OFF
1	ON	OFF	OFF	OFF
2	OFF	ON	OFF	OFF
3	ON	ON	OFF	OFF
4	OFF	OFF	ON	OFF
5	ON	OFF	ON	OFF
6	OFF	ON	ON	OFF
7	ON	ON	ON	OFF
8	OFF	OFF	OFF	ON
9	ON	OFF	OFF	ON
10	OFF	ON	OFF	ON
11	ON	ON	OFF	ON
12	OFF	OFF	ON	ON
13	ON	OFF	ON	ON
14	OFF	ON	ON	ON
15	ON	ON	ON	ON

SCSI ID settings

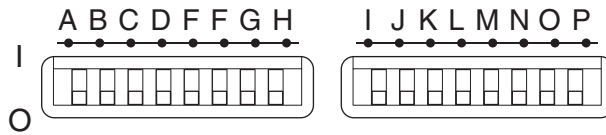
Note

Make sure to select a SCSI ID that has not been assigned to another SCSI device.



BW-RU101 Function Settings

Use function switches B to H on the rear panel of the unit to select the unit's functions according to the host computer and software that you are using. Make sure that the unit is off before setting the switches.



Switch	Function	1	0
A	Reserved	—	
B	Force CAV	All operations are performed in CAV seek mode.	Optimum mode enabled. (Automatic CAV/CLV selection)
C	Background format control	Background Format mode enabled	Background Format mode disabled
D	Reserved*	—	
E	Reserved*		
F	Inhibit Verify	Do not verify writes	Verify write operations
G	Write Cache control	Write caching disabled	Write caching enabled
H	Device Type	Report 00H as device type (Direct Access device)	Report 07H as device type (Optical Memory device)
I	Reserved*	—	
J	Reserved*		
K	Reserved*		
L	Reserved*		
M	Reserved*		
N	Reserved*		
O	Reserved*		
P	Reserved*		

■ :Factory Settings

BW-RU101 Function switch settings

Note

• **Reserved***

Do not set any of the reserved switches to 1, changing the reserved switches setting may cause the unit failure.

- **Background Formatting**

This unit is equipped with a background formatting function. To improve the reliability of writing data, executing a physical format before using an unused disc is highly recommended. If you disable the background formatting function, you can start the physical format in the foreground by issuing the FORMAT command. During the format, the unit scans whole sectors of the disc to detect any defect sectors and register them as defective sectors. It takes around 80 minutes to complete. If you enable the background formatting function, the unit starts the physical format automatically in the background without having to receive the FORMAT command. Therefore, you can even read and write data during the format. It takes at least 135 minutes to complete.

Cautions

- **Background Formatting Precautions**

Never turn off the unit without making sure that the disc is removed when the disc is in the background formatting process. The unit may not write data properly and mark them as the defective sectors if you turn off the unit without ejecting the disc during the background formatting. Before turning off the unit, be sure to eject the disc using the EJECT command or pressing the eject button.

- **Inhibit Verify**

Using a physical formatted disc is highly recommended if you inhibit verify for writes. Although disable verify for writes quicken the write transfer rate, but may reduce the reliability of written data. Even if you inhibit verify for writes, if the disc is not physical formatted, the drive forces verify for all write operations.

- **Write Cache Precautions**

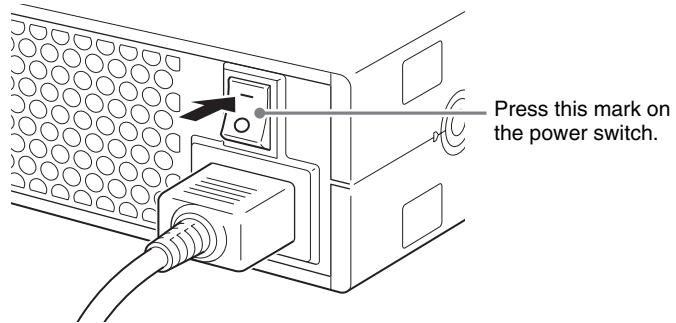
This unit is equipped with a write cache function. When the write cache is enabled, never turn off the unit power without making sure that all data has been written to the disc from the cache memory. Data will be lost if you turn off the power before all data in cache memory has been written to the disc. Before turning off the unit power, be sure to eject the disc, as this writes data from cache memory to the disc. Further, even though the unit will periodically flush data from cache memory periodically to the disc, data may be lost in the case of a power failure.

Using Discs

Inserting a Disc

- 1 Turn on the unit.

Press the power switch on the rear panel of the unit.



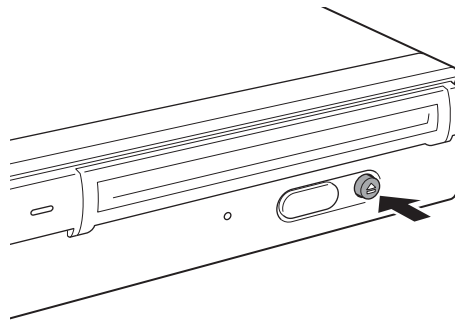
- 2 Start the host computer.

Refer to the documentation of the host computer for details.

- 3 Open the slot cover.

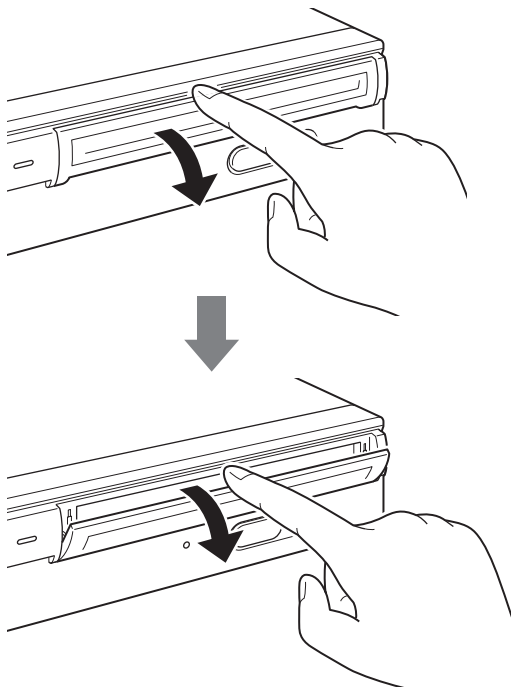
Automatic opening

Press the eject button to open the slot cover.



Manual opening

Open the slot cover by pulling it toward you as illustrated.

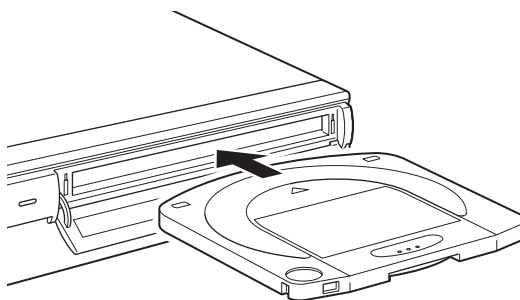


Note

Gently open the slot cover without applying any excessive force.

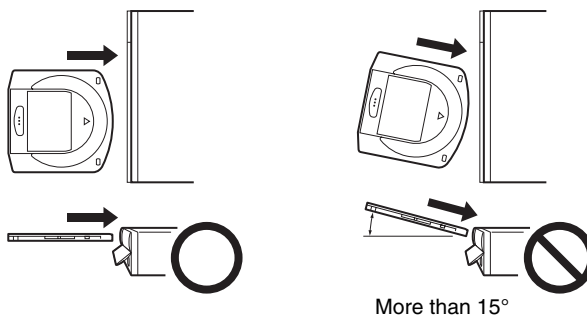
4 Insert a disc.

Insert the disc in the direction illustrated.



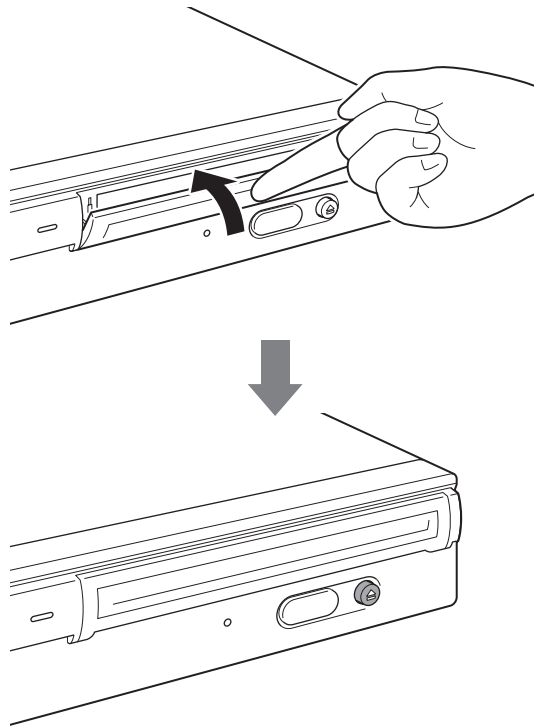
Note

Inserting the disc in the wrong direction may damage the disc and/or unit.



5 Close the slot cover.

After confirm the disc is loaded completely, close the slot cover with your finger.



Note

To prevent dust from entering the unit, be sure to keep the slot cover closed when not inserting or ejecting a disc.

6 Read and/or write data on the disc.

Use SCSI commands or software on the host computer to read and/or write data on the disc. The BUSY indicator lit amber except when data is being read/written.

Note

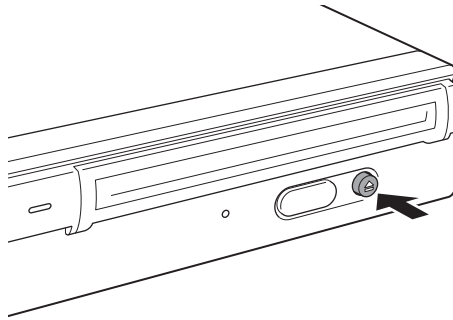
For details, refer to the “Professional Disc for DATA” installation guide available on the Sony Web site at <http://www.sony.net/ProDATA/>.

Ejecting a Disc

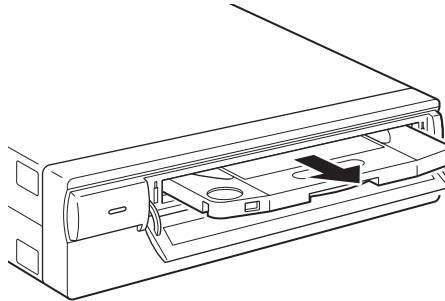
Note

Even after data write on the host computer has finished, the BUSY indicator may lit amber to indicate data is being written to the drive. In this case, do not press the eject button.

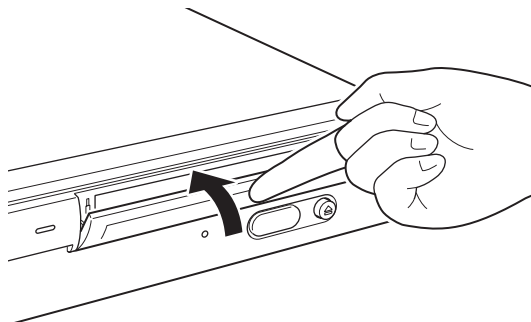
- 1 Eject the disc with the EJECT command or by pressing the eject button.



The unit automatically opens the slot cover when ejecting the disc.



- 2 Close the slot cover with your finger after removing the disc from the unit.

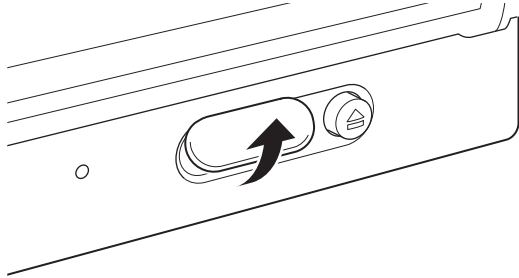


What to Do when You Cannot Eject a Disc

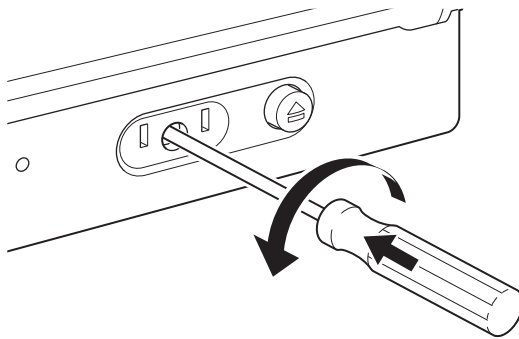
Emergency Eject Hole

If you cannot eject the disc with the eject button or EJECT command, turn off the unit and then use a Phillips precision screwdriver in the emergency-eject hole to eject the disc.

- 1 Remove the emergency eject hole cover.



- 2 Insert the Phillips precision screwdriver (diameter of 5 mm) into the emergency-eject hole and turn it counterclockwise while pushing it forward. (You need to turn the driver about 200 times to eject the disc.)



Caution

If the driver becomes difficult to turn, do not use excessive force. Doing so may damage the unit and/or the disc. If the disc cannot be ejected after performing above contact your dealer.



About Handling Discs

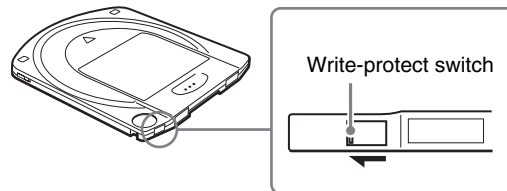
How to Protect Disc Data

- Do not drop the disc cartridge or subject it to any violent shocks or vibrations.
- Do not disassemble the disc cartridge. It is a precision component that was carefully adjusted prior to shipment.
- Do not open the disc cartridge shutter manually or touch the disc inside. The shutter is designed to open automatically when the disc cartridge is inserted into the devices.
- Do not use the disc cartridge under high humidity and/or wide temperature fluctuation ambient conditions. Condensation may make it impossible to read or write data.
- Store the disc cartridge in its hard case.
- Do not expose the disc cartridge to direct sunlight or excessive heat, such as on the dashboard or glove compartment of an automobile.
- Do not store the disc cartridge under the following conditions:
 - Location exposed to excessive dust and/or debris.
 - Location exposed to direct sunlight.
 - Near heat sources.
 - Location subject to high humidity.

Write-protect switch

Data cartridges are equipped with a write-protect switch to prevent the accidental deletion of data on the disc cartridge or the inadvertent writing of unwanted data.

Slide the switch in the direction of the arrow as illustrated below. A red surface appears in place of the switch to indicate that the cartridge is write-protected. To release the protection, return the switch to its original position.



Refer to the description of the disc.

Cleaning discs

The disc cartridge is designed to guard against dust and other airborne containments. Therefore there is no need to clean the discs. Using a disc cleaning device may damage the surface of the disc.

What to do when a disc is locked

To avoid locking the disc, do not insert it into the unit when the unit is off. If the disc is locked, turn on the unit, confirm that the disc is completely loaded into the unit, and then eject the disc by issuing the EJECT command or pressing the eject button.

Unit Usage Precautions

Power Supply

- Be sure to use 100 to 240 V AC.
- Do not share the AC outlet with any other power-consuming equipment such as copying machines or shredders.

Handling the Power Cable

- Take care not to place or drop anything heavy on the power cable or to damage the cable. Using a damaged cable is dangerous.
- Be sure to hold the plug when disconnecting the power cable from the outlet. Pulling the cable may damage the cable.
- When the unit is not to be used for a long time, disconnect the power cable from the outlet.

Location

The unit must be placed horizontally or vertically on a flat, stable surface. The maximum permissible mounting tilt is 10° for the bottom placed surface.

Location requirements

Careful consideration should be given to the following in selecting a site to install or store your unit.

Avoid the following conditions:

- High humidity
- High temperatures
- Direct sunlight
- Dust
- Strong vibration
- Wide temperature fluctuations

Do not subject the unit to shock or vibration

Dropping the unit or subjecting it to strong impact may damage the unit.

Ventilation

Care should be exercised to prevent the internal mechanisms of the unit from overheating. Be careful not to clog or block the vent, or place the unit in an area with poor ventilation. The unit may stop operating altogether if the internal temperature becomes too high.

Moving the unit

Be sure to remove the disc cartridge when the unit is not being used. Also never move or transport the unit with the disc cartridge still inserted.

While in operation, the disc rotates at a high speed. Moving the unit at such a time may disturb the spinning disc and cause it to be damaged. Always remove the disc cartridge before moving your unit.

Condensation

Avoid subjecting the unit to extremes in temperature. If, for example, the unit is moved suddenly from a very cold location to a warm one, moisture from condensation may form within the unit due to the quick rise in ambient temperature. If a sudden change in the temperature cannot be avoided, wait for an hour or more before using the unit. Inserting a disc cartridge into the mechanism when moisture is present may cause damage to both the disc and the unit. Remove the disc cartridge immediately if you suspect any condensation problems. The moisture should evaporate quickly if the unit is left on without a disc inserted.

Temperature Alarm

When the temperature in the unit exceeds the preset level, the BUSY indicator starts flashing on and off at about 2-second intervals, regardless of whether or not a disc is being accessed, and the unit stops operating. If this happens, you should improve the ventilation of a setting area.

If the unit still refuses to operate, unplug the unit and contact your dealer.

Cleaning the Unit

Do not use a lens cleaning device.

The internal lens cleaning brush mechanism ensures periodic, automatic cleaning of the pickup lens. Therefore there is no need to clean the lens of the unit. Using a lens cleaning device may damage the lens.

Make sure cleaning products are not used to clean a disc or the lens of the unit.

Maintenance

Clean the cabinet with a dry soft cloth, or with a soft cloth lightly moistened with a mild detergent solution. Do not use any type of solvent, such as alcohol or benzene, which may damage the finish.

If problems occur

If any problems occur, turn off the power and unplug the unit, contact your dealer.

Specifications

Note

Specifications are subject to change without notice.

Disc Specifications

The BW-RS101 and BW-RU101 are compatible with two types of disc.

Capacity of the data zone	23.3 GB/disc (2048 bytes/sector)
User data transfer rate	
Sustained write	9 MB/s (CLV)
	4.5 to 9.0 MB/s (CAV)
Sustained read	10.8 MB/s (CLV)
	4.5 to 10.8 MB/s (CAV)

Specifications

Performance

Disc rotation speed	
CLV sustained read (inner)	5042 min ⁻¹ (rpm)
CLV sustained read (outer)	2086 min ⁻¹ (rpm)
CLV sustained write (inner)	4201 min ⁻¹ (rpm)
CLV sustained write (outer)	1738 min ⁻¹ (rpm)
CAV sustained read/write	2100 min ⁻¹ (rpm)
Seek time	
1/3 stroke	320 ms (CLV sustained write)
	110 ms (CAV)
Full stroke	900 ms (CLV sustained write)
	200 ms (CAV)

Controller Block Specifications

Host interface	
BW-RS101	Ultra 160 LVD/SE SCSI SCSI parallel interface-3 (SPI-3) [ANSI NCITS.336:2000]
BW-RU101	Hi-Speed USB(USB 2.0)
Burst data transfer rate	
BW-RS101	160 MB/s synchronous (maximum)
BW-RU101	480 Mbps (maximum)
Buffer memory capacity	16 MB

Laser Diode Specifications

Type	Semiconductor laser (GaN)
Output power	35 mW (CW), 65 mW (pulse)
Wavelength	403 to 410 nm

Environmental Specifications

Operating temperature	+5 to +40°C (+41 to +104°F)
Storage temperature	-30 to +60°C (-22 to +140°F)
Maximum temperature gradient	+10°C/h (+18°F/h)
Operating humidity	+10% to +90% RH, non-condensing
Storage humidity	+5% to +90% RH, non-condensing
Mounting orientation	Horizontal or vertical
Mounting tilt	Less than ±10°

Mechanical Specifications

Power supply	100-240 V AC, 50/60 Hz
Current consumption	0.35-0.50 A (maximum)
Dimensions (W × H × D)	199 × 59 × 306 mm (7.8 × 2.3 × 12.1 in.) (approximately)
Mass	4.0 kg (8.8 lb.) (approximately)

Règlements de sécurité

Précaution

La prise secteur de cet appareil doit être utilisée pour débrancher l'alimentation secteur. S'assurer que les prises sont installées à proximité de l'équipement et qu'elles sont facilement accessibles.

Traitement des appareils électriques et électroniques en fin de vie (Applicable dans les pays de l'Union Européenne et aux autres pays européens disposant de systèmes de collecte sélective)



Ce symbole, apposé sur le produit ou sur son emballage, indique que ce produit ne doit pas être traité avec les déchets ménagers. Il doit être remis à un point de collecte approprié pour le recyclage des équipements électriques et électroniques. En s'assurant que ce produit est bien mis au rebus de manière appropriée, vous aiderez à prévenir les conséquences négatives potentielles pour l'environnement et la santé humaine. Le recyclage des matériaux aidera à conserver les ressources naturelles. Pour toute information supplémentaire au sujet du recyclage de ce produit, vous pouvez contacter votre municipalité, votre déchetterie ou le magasin où vous avez acheté le produit.



et « Professional Disc for DATA » sont des marques commerciales de Sony Corporation.

- Le fabricant décline toute responsabilité pour les pertes subies suite au mauvais fonctionnement ou à l'utilisation de ce produit.
- Le fabricant ne garantit pas la sécurité des données enregistrées en utilisant ce produit. Pour éviter toute perte accidentelle de données, une copie de sauvegarde fréquente est fortement recommandée.
- La reproduction du contenu de ce mode d'emploi, en totalité ou en partie, est interdite.

Sommaire

Règlements de sécurité	2
------------------------------	---

Chapter 1 Introduction

Aperçu	4
Caractéristiques	4
Disques compatibles.....	5
Configuration du système	5
BW-RS101 Configuration du système.....	5
BW-RU101 Configuration du système.....	5
Localisation et fonction des pièces.....	6
BW-RS101/BW-RU101 Panneau avant	6
BW-RS101 Panneau arrière	7
BW-RU101 Panneau arrière	8

Chapter 2 Démarrage

Liste de contrôle des composants et accessoires...9	
Liste des accessoires du BW-RS101.....	9
Liste de contrôle des accessoires pour BW-RU101	10
Quand l'unité est utilisée en position verticale	10
Connexion de l'unité	11
Connexion du BW-RS101	11
Connexion du BW-RU101	12
Définition des fonctions/de l'ID SCSI	13
BW-RS101 Réglages des fonctions	13
BW-RU101 Réglages des fonctions	16
Utilisation des disques	18
Insertion d'un disque.....	18
Éjection d'un disque.....	21
Que faire quand le disque ne s'éjecte pas	22
Manutention des disques	23
Comment protéger les données des disques.....	23

FR

Chapter 3 Précautions d'utilisation

Précautions d'utilisation de l'unité	24
--	----

Chapter 4 Spécifications

Spécifications	26
Spécifications des disques.....	26
Spécifications	26

Aperçu

Caractéristiques

L'unité « Professional Disc for DATA » BW-RS101/BW-RU101 de Sony présente les caractéristiques suivantes.

- Le disque optique externe « Professional Disc for DATA » utilise un laser bleu-violet à courte longueur d'onde de 405 nm.
- La lentille puissante de l'objectif utilisé pour la focalisation du faisceau laser est dotée d'une ouverture numérique de 0,85, résultant en un entre-axe de pistes de 0,32 μm seulement. Ceci permet l'écriture de jusqu'à 23,3 Go de données sur une face de disque.
- Une couche de revêtement de 0,1 mm donne une tolérance d'inclinaison élevée.
- L'épaisseur totale des disques de 120 mm est de 1,2 mm et la couche d'enregistrement a une couche de revêtement de 0,1 mm d'épaisseur seulement. Ceci augmente efficacement la marge d'erreur en cas d'inclinaison ou de pliure du disque. La tolérance d'inclinaison est par conséquent suffisante pour augmenter la fiabilité de la lecture/écriture.
- Le BW-RS101 utilise SCSI-3 (Ultra 160 LVD/SE SCSI).
- Le BW-RU101 utilise Hi-Speed USB (USB 2.0).
- Le temps de positionnement de la tête en mode CAV est de 110 ms (1/3 de course) ou 200 ms (pleine course).
- En mode CLV, le moteur à axe haute vitesse permet d'atteindre une vitesse 9 Mo/s pour la transmission des données d'écriture et de 10,8 Mo/s pour la transmission des données de lecture.
- En mode CAV, le moteur à axe haute vitesse permet d'atteindre une vitesse de 4,5 à 9 Mo/s pour la transmission des données d'écriture et de 4,5 à 10,8 Mo/s pour la transmission des données de lecture.

Disques compatibles

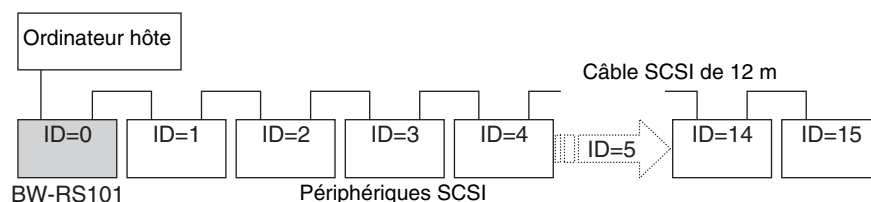
Les disques BW-RS101 et BW-RU101 sont compatibles avec les deux types de disques.

Nom du disque	Type	Capacité	Diamètre du disque
PDDRW23	Réinscriptible	23,3 Go	120 mm
PDDWO23	Écriture en une fois	23,3 Go	120 mm

Configuration du système

BW-RS101 Configuration du système

Le BW-RS101 est connecté à un ordinateur hôte par son interface SCSI. Jusqu'à quinze périphériques peuvent être connectés en guirlande au bus SCSI. Voir « Câbles SCSI », page 11 pour des détails.



Remarque

Le BW-RS101 prend en charge les configurations SCSI à sortie simple (type SE) et à différentiel basse tension (type LVD). Quand une chaîne en guirlande est à la fois de la configuration de types LVD et SE, la vitesse de transmission est conforme aux spécifications SE.

BW-RU101 Configuration du système

Le BW-RU101 est connecté à un ordinateur hôte par son interface USB. Il est possible de connecter jusqu'à 127 périphériques à un ordinateur hôte par le concentrateur USB. Voir « Câbles USB », page 12 pour de plus amples informations.

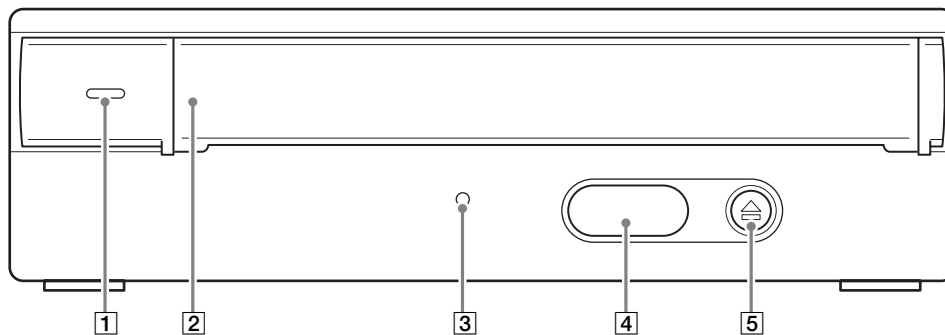
Remarque

Le BW-RU101 est compatible avec Hi-Speed USB (USB 2.0), lui-même compatible à USB 1.1. Avec Hi-Speed USB, la vitesse de transmission maximum est de 480 Mb/s. Toutefois, avec USB 1.1, la vitesse de transmission est conforme à la spécification d'USB 1.1 avec un maximum de 12 Mb/s.

Localisation et fonction des pièces

Cette section décrit les pièces des unités « Professional Disc for DATA » BW-RS101 et BW-RU101 avec un aperçu de leurs fonctions.

BW-RS101/BW-RU101 Panneau avant



1 Témoin d'alimentation

S'allume en vert à la mise sous tension.

2 Couvercle de la fente d'insertion

Pour insérer un disque, ouvrir le couvercle de la fente en le tirant vers soi. Après l'insertion du disque, refermer le couvercle de la fente. Le couvercle s'ouvre automatiquement lors de l'éjection d'un disque. Toutefois, il doit être refermé manuellement. Voir « Insertion d'un disque », page 18 pour de plus amples informations.

3 Témoin d'occupation

Alterne entre le vert et l'orange quand l'unité lit ou écrit des données. Ne pas éjecter le disque quand l'indicateur est orange.

4 Couvercle du trou d'éjection de secours

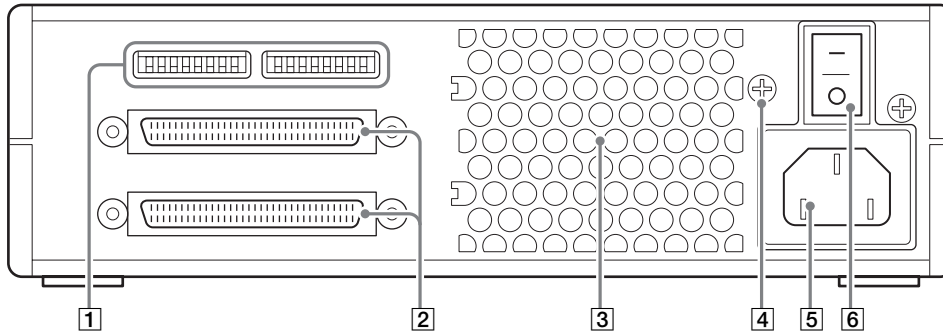
En cas d'urgence seulement, retirer le couvercle du trou d'éjection et éjecter le disque. Voir la section « Que faire quand le disque ne s'éjecte pas », page 22 pour des informations détaillées.

5 Bouton d'éjection

Appuyer sur ce bouton pour éjecter le disque de l'unité. Il n'est pas possible d'utiliser le bouton d'éjection pour éjecter le disque quand l'appareil est hors tension.

Remarque

En cas d'utilisation d'un cache d'écriture lors de l'appui sur le bouton d'éjection, les données sont écrites en mémoire cache sur le disque et l'éjection de la cartouche disque peut prendre plus de temps.



1 Sélecteurs de fonctions

Utiliser ces sélecteurs pour définir l'ID SCSI et les fonctions de l'unité. Voir « BW-RS101 Réglages des fonctions », page 13 pour de plus amples informations

2 Connecteurs SCSI

Brancher les câbles SCSI (vendus séparément) à ces connecteurs pour raccorder l'ordinateur hôte et les autres dispositifs SCSI.

3 Manche à air

L'air est aspiré par la manche à air pour permettre le refroidissement de l'unité.

Remarque

S'assurer que la conduite permettant la circulation de l'air n'est ni bloquée ni obstruée.

4 Borne de terre de cadre (F.GND)

Connecter les bornes de mise à la terre des autres appareils à la borne de terre de cadre de l'unité.

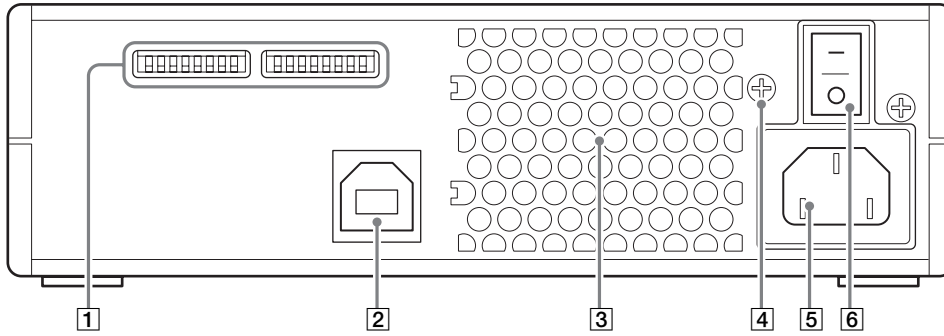
5 Connecteur d'alimentation secteur (AC IN)

Brancher le cordon d'alimentation secteur fourni dans ce connecteur.

6 Interrupteur d'alimentation

Appuyer sur le côté "I" pour faire passer l'appareil sous tension. Pour le faire passer hors tension, appuyer sur le côté "O".

BW-RU101 Panneau arrière



1 Sélecteurs de fonctions

Utiliser ces sélecteurs pour définir les fonctions de l'unité. Voir « BW-RU101 Réglages des fonctions », page 16 pour de plus amples informations

2 Connecteur USB

Raccorder le câble USB fourni à l'ordinateur hôte.

3 Manche à air

L'air est aspiré par la manche à air pour permettre le refroidissement de l'unité.

Remarque

S'assurer que la conduite permettant la circulation de l'air n'est ni bloquée ni obstruée.

4 Borne de terre de cadre (F.GND)

Connecter les bornes de mise à la terre des autres appareils à la borne de terre de cadre de l'unité.

5 Connecteur d'alimentation secteur (AC IN)

Brancher le cordon d'alimentation secteur dans ce connecteur.

6 Interrupteur d'alimentation

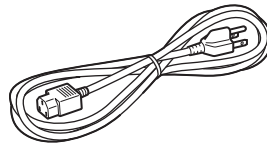
Appuyer sur le côté "I" pour faire passer l'appareil sous tension. Pour le faire passer hors tension, appuyer sur le côté "O".

Liste de contrôle des composants et accessoires

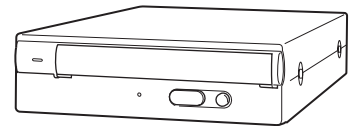
Ouvrir le carton de l'appareil et vérifier que tous les composants et accessoires indiqués ci-dessous s'y trouvent. Si des éléments sont absents ou endommagés, prière de contacter le point d'achat.

Liste des accessoires du BW-RS101

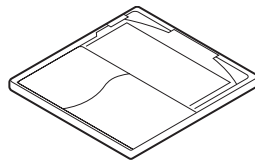
- Cordon d'alimentation secteur



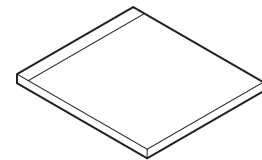
- Unité BW-RS101 « Professional Disc for DATA »



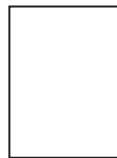
- Disque (PDDRW23)



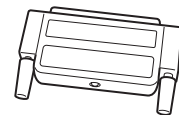
- Utilitaire de formatage



- Guide d'utilisation de sécurité (Précautions de sécurité)



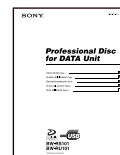
- Terminaison LVD/SE



- Feuille rugueuse de protection

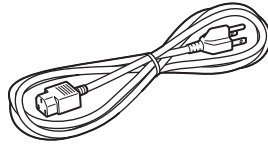


- Mode d'emploi (ce document)

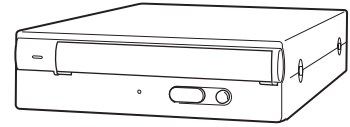


Liste de contrôle des accessoires pour BW-RU101

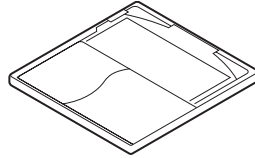
- Cordon d'alimentation secteur



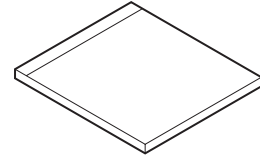
- Unité « Professional Disc for DATA » BW-RU101



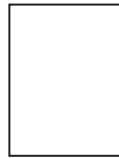
- Disque (PDDRW23)



- Utilitaire de formatage



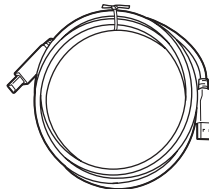
- Guide d'utilisation de sécurité (Précautions de sécurité)



- Feuille rugueuse de protection



- Câble USB 2.0



- Mode d'emploi (ce document)

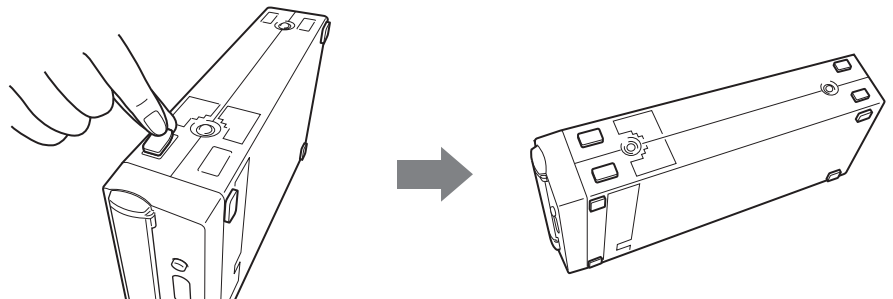


Quand l'unité est utilisée en position verticale

Avant d'utiliser l'unité, coller la feuille matelassée protectrice à la base de l'unité. Ceci permet d'éviter les éraflures. De plus, elle garantit une bonne stabilité de l'unité, nécessaire à son bon fonctionnement.

Comment coller la feuille matelassée protectrice

Coller la feuille matelassée protectrice aux quatre renforcements situés sur la base de l'unité.



Connexion de l'unité

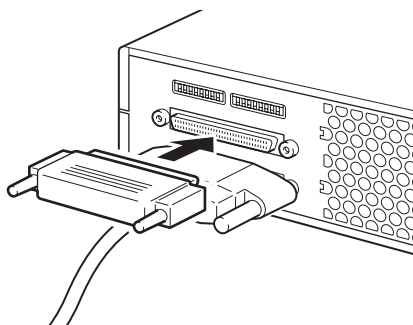
Connexion du BW-RS101

Vous pouvez raccorder l'unité à un ordinateur hôte par un bus SCSI qui peut avoir jusqu'à 15 périphériques connectés en guirlande.

Remarque

Avant toute connexion, s'assurer que l'unité et tous les autres dispositifs de la chaîne SCSI sont hors tension

- 1 Connecter un câble SCSI à l'un des connecteurs SCSI de l'appareil.
- 2 À l'autre connecteur SCSI, raccorder un câble pour connecter un autre périphérique ou la terminaison fournie si l'unité est le dernier périphérique de la connexion en guirlande.



- 3 Brancher le cordon d'alimentation secteur au connecteur AC IN sur l'unité.

Câbles SCSI

Un câble ruban conducteur à 68 signaux ou un câble torsadé à 34 signaux comme le câble LVD/SE peut être utilisé. Pour obtenir une vitesse de transmission élevée, la longueur totale des câbles SCSI ne doit pas dépasser 6 mètres dans une configuration SE. Dans une configuration SCSI LVD, la longueur des câbles ne doit pas dépasser 12 m.

Terminaison SCSI

Si l'unité est le dernier périphérique de la connexion en guirlande, ne pas oublier de connecter la terminaison fournie ou une terminaison achetée séparément car l'unité ne dispose d'aucune terminaison interne. Pour que l'unité opère correctement, la terminaison appropriée doit être connectée à l'unité.

Remarque

Si une terminaison autre que celle fournie est utilisée, s'assurer qu'elle est conforme à la norme SPI3:ANSI NCITS:336:2000.

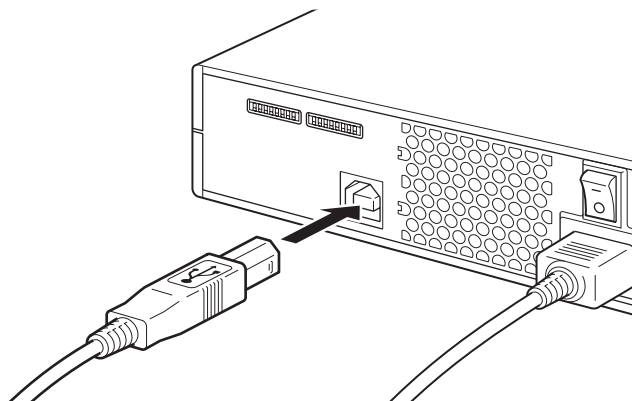
Connexion du BW-RU101

Raccorder l'unité à l'ordinateur hôte par un câble USB. Un concentrateur USB peut être utilisé pour brancher jusqu'à 127 périphériques USB. De plus, il est possible de brancher et débrancher le câble USB lorsque l'ordinateur est sous tension car le BW-RU101 prend en charge la connexion sous tension.

Remarque

Avant de connecter l'unité, s'assurer qu'elle est hors tension.

- 1 Connecter un câble USB à l'un des connecteurs USB de l'appareil.
- 2 Brancher le cordon d'alimentation secteur au connecteur AC IN de l'unité.



Câbles USB

Pour obtenir un fonctionnement stable et optimiser la vitesse de transmission, utiliser un câble USB de moins de 5 mètres.

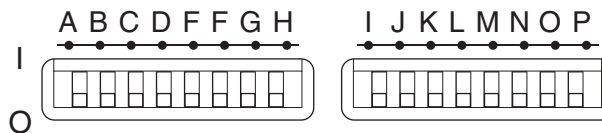
Dans certains cas, les données risquent d'être perdues et le système peut devenir instable si le câble USB est retiré. Aussi, faut-il vérifier auparavant les points suivants.

- Les données enregistrées sur le disque ne sont pas ouvertes par une application ou un logiciel.
- L'indicateur d'occupation (BUSY) est éteint ou s'allume en vert.
- Le disque a été éjecté. (Il est recommandé de mettre l'unité hors tension après l'éjection du disque.)

Définition des fonctions/de l'ID SCSI

BW-RS101 Réglages des fonctions

Utiliser les sélecteurs de fonctions A à P situés sur le panneau arrière pour définir les fonctions de l'appareil et l'ID SCSI conformément à l'ordinateur hôte et au logiciel utilisés. S'assurer que l'appareil est hors tension avant de modifier les réglages des sélecteurs de fonctions.



Sélecteur	Fonction	1	0
A	Alimentation de la terminaison	Fournir L'ALIMENTATION à la terminaison activée	Fournir L'ALIMENTATION à la terminaison désactivée
B	Forcer le mode CAV	Toutes les opérations sont effectuées en mode de recherche CAV.	Mode optimum activé. (sélection CAV/CLV automatique)
C	Contrôle du format d'arrière plan	Mode de formatage en arrière plan activé	Mode de formatage en arrière plan désactivé
D	Réservé*	—	
E	Réservé*		
F	Interdire la vérification	Ne vérifie pas l'écriture	Vérifie l'écriture
G	Contrôle du cache d'écriture	Cache d'écriture désactivé	Cache d'écriture activé
H	Type de dispositif	Indique 00H comme type de dispositif (dispositif d'accès direct)	Indique 07H comme type de dispositif (dispositif de mémoire optique)
I	Contrôle de parité SCSI	Vérification de la parité SCSI activée	Vérification de la parité SCSI désactivée
J	Réservé*	—	
K	Réservé*		
L	Réservé*		
M	ID SCSI 3	Pour définir l'ID SCSI, voir « BW-RS101 Réglages des ID SCSI », page 15.	
N	ID SCSI 2		
O	ID SCSI 1		
P	ID SCSI 0		

■ : Réglages usine

Réglages des sélecteurs de fonctions

Remarque

- **Réservé***

Ne jamais positionner l'un des sélecteurs réservés sur 1. Le changement de réglage des sélecteurs réservés peut entraîner une panne de l'unité.

- **Formatage à l'arrière-plan**

Cette unité est munie d'une fonction de formatage d'arrière plan. Il est recommandé de procéder à un formatage physique avant d'utiliser un disque neuf afin d'améliorer la fiabilité de l'écriture des données. Si la fonction de formatage en arrière-plan est désactivée, le formatage physique en arrière-plan peut être lancé avec la commande FORMAT. Au cours du formatage, l'unité balaie l'intégralité du disque pour en détecter les secteurs défectueux et les marquer comme défectueux. Ce formatage demande environ 80 minutes. Si la fonction de formatage en arrière-plan est activée, l'unité lance immédiatement le formatage physique en arrière-plan sans attendre la commande FORMAT. Il est donc possible de lire et d'écrire des données pendant le formatage. Ce formatage demande environ 135 minutes.

Précautions à respecter

- **Précautions à respecter pour le formatage en arrière-plan**

Ne jamais éteindre l'unité sans s'assurer que le disque a été retiré après avoir été formaté en arrière-plan. L'unité peut ne pas écrire correctement les données et les marquer en tant que secteurs défectueux si l'unité est éteinte alors que le disque formaté en arrière-plan est encore dans l'unité. Avant d'éteindre l'unité, s'assurer que le disque est éjecté en utilisant la commande EJECT ou en appuyant sur le bouton d'éjection.

- **Désactiver la vérification**

Il est vivement recommandé de formater physiquement un disque si la vérification d'écriture est désactivée. La désactivation de la vérification d'écriture accélère la vitesse d'écriture mais peut réduire la fiabilité des données écrites. Même si la vérification d'écriture est désactivée, si le disque n'est pas formaté physiquement, le lecteur force la vérification pour toutes les opérations.

- **Précautions à respecter pour le cache d'écriture**

Cette unité est munie d'une fonction de cache d'écriture. Quand le cache d'écriture est activé, ne jamais éteindre l'unité sans s'assurer que toutes les données de la mémoire cache ont été écrites sur le disque. Si l'alimentation est coupée avant que toutes les données en mémoire cache ne soient écrites sur disque, les données sont perdues. Avant de faire passer l'unité hors tension, ne pas oublier d'éjecter le disque car ceci active l'écriture des données de la mémoire cache sur le disque. En outre, même si l'unité écrit les données de la mémoire cache périodiquement sur le disque, des données peuvent être perdues à la suite d'une panne de l'alimentation électrique.

BW-RS101 Réglages des ID SCSI

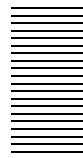
Utiliser les sélecteurs de fonctions M à P pour régler les ID SCSI.

ID SCSI	Sélecteurs de fonctions			
	P (SCSI 0)	O (SCSI 1)	N (SCSI 2)	M (SCSI 3)
0	OFF	OFF	OFF (désactivé)	OFF (désactivé)
1	ON (activé)	OFF (désactivé)	OFF (désactivé)	OFF (désactivé)
2	OFF (désactivé)	ON (activé)	OFF (désactivé)	OFF (désactivé)
3	ON (activé)	ON (activé)	OFF (désactivé)	OFF (désactivé)
4	OFF (désactivé)	OFF (désactivé)	ON (activé)	OFF (désactivé)
5	ON (activé)	OFF (désactivé)	ON (activé)	OFF (désactivé)
6	OFF (désactivé)	ON (activé)	ON (activé)	OFF (désactivé)
7	ON (activé)	ON (activé)	ON (activé)	OFF (désactivé)
8	OFF (désactivé)	OFF (désactivé)	OFF (désactivé)	ON (activé)
9	ON (activé)	OFF (désactivé)	OFF (désactivé)	ON (activé)
10	OFF (désactivé)	ON (activé)	OFF (désactivé)	ON (activé)
11	ON (activé)	ON (activé)	OFF (désactivé)	ON (activé)
12	OFF (désactivé)	OFF (désactivé)	ON (activé)	ON (activé)
13	ON (activé)	OFF (désactivé)	ON (activé)	ON (activé)
14	OFF (désactivé)	ON (activé)	ON (activé)	ON (activé)
15	ON (activé)	ON (activé)	ON (activé)	ON (activé)

Réglages des ID SCSI

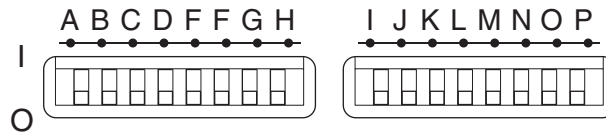
Remarque

Faire attention de sélectionner une ID SCSI qui n'ait pas été attribuée à un autre périphérique SCSI.



BW-RU101 Réglages des fonctions

Utiliser les sélecteurs de fonctions B à H situés sur le panneau arrière pour sélectionner les fonctions de l'appareil conformément à l'ordinateur hôte et au logiciel utilisés. S'assurer que l'appareil est hors tension avant de modifier les réglages.



Sélecteur	Fonction	1	0
A	Réservé	—	
B	Force le mode CAV	Toutes les opérations sont effectuées en mode de recherche CAV.	Mode optimum activé. (sélection CAV/CLV automatique)
C	Contrôle du format d'arrière plan	Mode de formatage en arrière plan activé	Mode de formatage en arrière plan désactivé
D	Réservé*	—	
E	Réservé*		
F	Interdire la vérification	Ne vérifie pas l'écriture	Vérifie l'écriture
G	Contrôle du cache d'écriture	Cache d'écriture désactivé	Cache d'écriture activé
H	Type de dispositif	Indique 00H comme type de dispositif (dispositif d'accès direct)	Indique 07H comme type de dispositif (dispositif de mémoire optique)
I	Réservé*	—	
J	Réservé*		
K	Réservé*		
L	Réservé*		
M	Réservé*		
N	Réservé*		
O	Réservé*		
P	Réservé*		

■ : Réglages usine

BW-RU101 Réglages des sélecteurs de fonctions

Remarque

- **Réservé***

Ne jamais positionner l'un des sélecteurs réservés sur 1. Le changement de réglage des sélecteurs réservés peut entraîner une panne de l'unité.

- **Formatage à l'arrière-plan**

Cette unité est munie d'une fonction de formatage d'arrière plan. Il est recommandé de procéder à un formatage physique avant d'utiliser un disque neuf afin d'améliorer la fiabilité de l'écriture des données. Si la fonction de formatage en arrière-plan est désactivée, le formatage physique en arrière-plan peut être lancé avec la commande FORMAT. Au cours du formatage, l'unité balaie l'intégralité du disque pour en détecter les secteurs défectueux et les marquer comme défectueux. Ce formatage demande environ 80 minutes. Si la fonction de formatage en arrière-plan est activée, l'unité lance immédiatement le formatage physique en arrière-plan sans attendre la commande FORMAT. Il est donc possible de lire et d'écrire des données pendant le formatage. Ce formatage demande environ 135 minutes.

Précautions à respecter

- **Précautions à respecter pour le formatage en arrière-plan**

Ne jamais éteindre l'unité sans s'assurer que le disque a été retiré après avoir été formaté en arrière-plan. L'unité peut ne pas écrire correctement les données et les marquer en tant que secteurs défectueux si l'unité est éteinte alors que le disque formaté en arrière-plan est encore dans l'unité. Avant d'éteindre l'unité, s'assurer que le disque est éjecté en utilisant la commande EJECT ou en appuyant sur le bouton d'éjection.

- **Désactiver la vérification**

Il est vivement recommandé de formater physiquement un disque si la vérification d'écriture est désactivée. La désactivation de la vérification d'écriture accélère la vitesse d'écriture mais peut réduire la fiabilité des données écrites. Même si la vérification d'écriture est désactivée, si le disque n'est pas formaté physiquement, le lecteur force la vérification pour toutes les opérations.

- **Précautions à respecter pour le cache d'écriture**

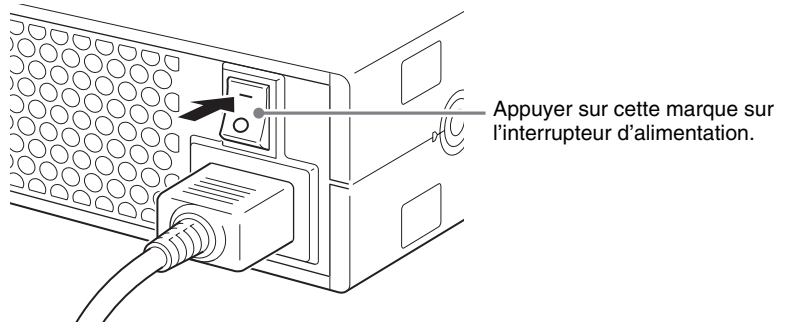
Cette unité est munie d'une fonction de cache d'écriture. Quand le cache d'écriture est activé, ne jamais éteindre l'unité sans s'assurer que toutes les données de la mémoire cache ont été écrites sur le disque. Si l'alimentation est coupée avant que toutes les données en mémoire cache ne soient écrites sur disque, les données sont perdues. Avant de faire passer l'unité hors tension, ne pas oublier d'éjecter le disque car ceci active l'écriture des données de la mémoire cache sur le disque. En outre, même si l'unité écrit les données de la mémoire cache périodiquement sur le disque, des données peuvent être perdues à la suite d'une panne de l'alimentation électrique.

Utilisation des disques

Insertion d'un disque

- 1 Mettre l'unité sous tension.

Appuyer sur l'interrupteur d'alimentation situé à l'arrière de l'unité.



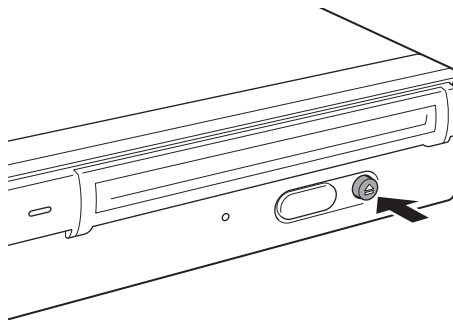
- 2 Démarrer l'ordinateur hôte.

Consulter la documentation de l'ordinateur hôte pour de plus amples informations.

- 3 Ouvrir le couvercle de la fente d'insertion.

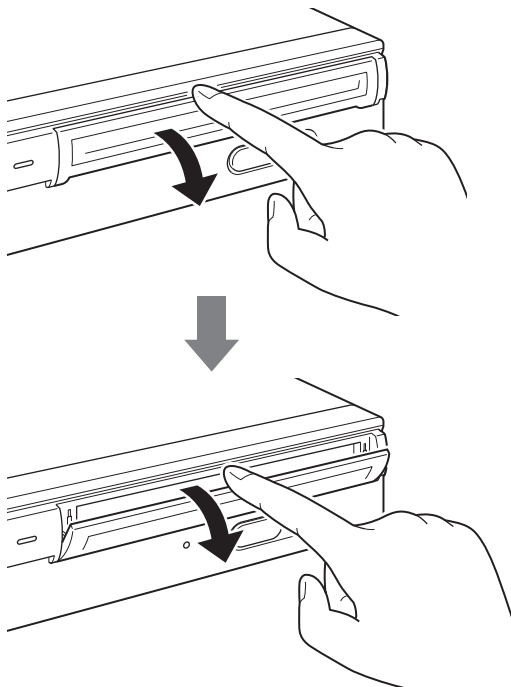
Ouverture automatique

Appuyer sur le bouton d'éjection pour ouvrir le couvercle de la fente d'insertion.



Ouverture manuelle

Ouvrir le couvercle de la fente en le tirant vers soi comme illustré.

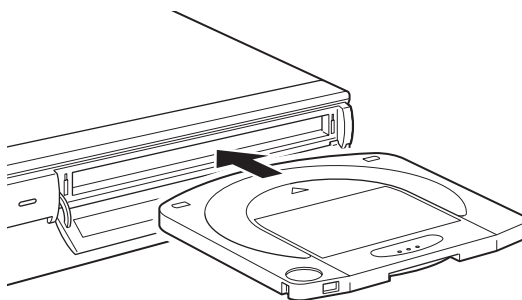


Remarque

Ouvrir le couvercle de la fente sans forcer.

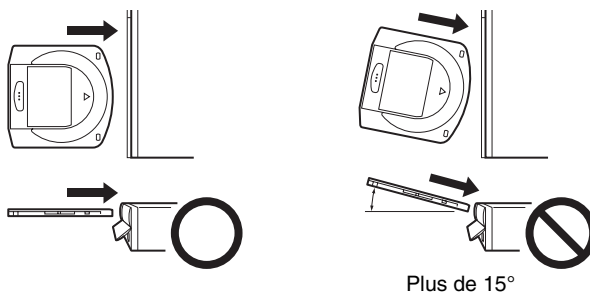
4 Insérer un disque.

Insérer le disque dans le sens indiqué.



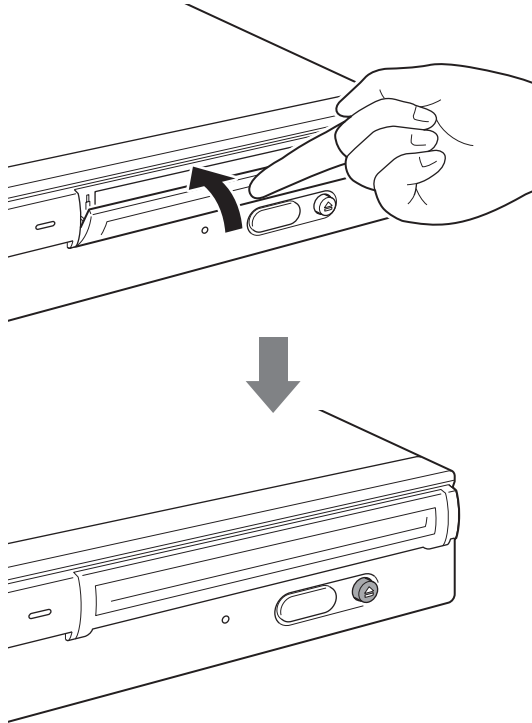
Remarque

L'insertion du disque dans le mauvais sens peut endommager le disque ou l'unité.



5 Fermer le couvercle de la fente d'insertion.

Une fois le disque complètement inséré, refermer le couvercle de la fente.



Remarque

Pour empêcher la saleté et la poussière de pénétrer dans l'unité, tenir le couvercle de la fente fermé quand un disque n'est pas inséré ou éjecté.

6 Lire et/ou écrire les données sur le disque.

Utiliser les commandes SCSI ou du logiciel sur l'ordinateur hôte pour la lecture et/ou l'écriture des données sur le disque. Le témoin d'occupation (BUSY) s'éclaire lorsque les données sont lues/écrites.

Remarque

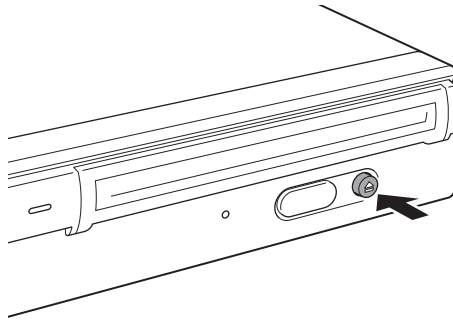
Pour des détails, consulter les spécifications SCSI du « Professional Disc for DATA » et/ou le guide d'installation de « Professional Disc for DATA » disponible sur le site Internet de Sony à <http://www.sony.net/ProDATA/>.

Éjection d'un disque

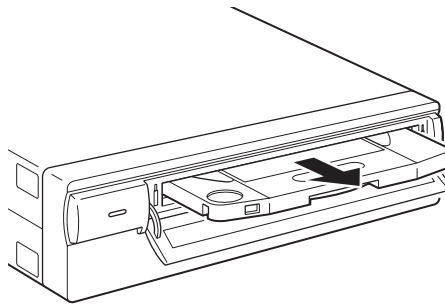
Remarque

Même après la fin de l'écriture des données sur l'ordinateur hôte, les témoins d'occupation (BUSY) peuvent rester allumés en orange pour indiquer que les données sur en cours d'écriture sur le lecteur. Dans ce cas, ne pas appuyer sur le bouton d'éjection.

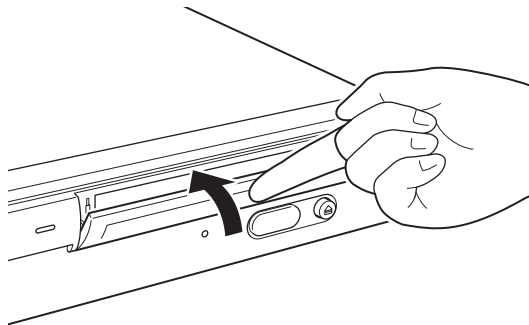
- 1 Éjecter le disque en utilisant la commande EJECT ou en appuyant sur le bouton d'éjection.



L'appareil ouvre automatiquement le couvercle de la fente d'insertion pour éjecter le disque.



- 2 Refermer le couvercle avec le doigt une fois que le disque a été retiré de l'appareil.

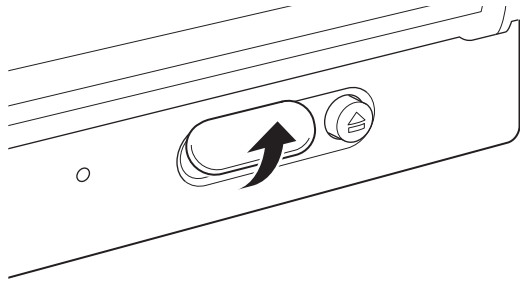


Que faire quand le disque ne s'éjecte pas

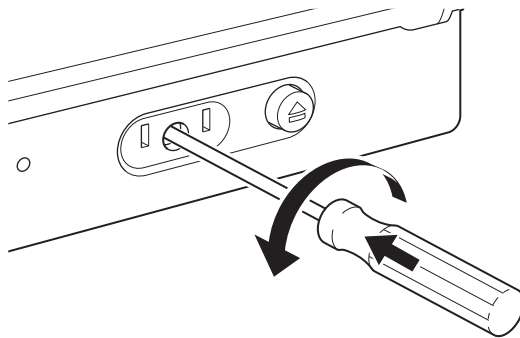
Trou d'éjection de secours

Si le disque ne s'éjecte pas après l'appui sur le bouton d'éjection ou le lancement de la commande EJECT, mettre l'unité hors tension et insérer un tournevis de précision Phillips dans le trou d'éjection de secours pour éjecter le disque.

- 1 Retirer le couvercle du trou d'éjection de secours.



- 2 Insérer le tournevis de précision Phillips (diamètre de 5 mm) dans le trou d'éjection de secours et le tourner dans le sens contraire des aiguilles d'une montre tout en poussant vers l'avant. (Tourner le tournevis environ 200 fois pour éjecter le disque.)



Précautions à respecter

S'il devient difficile de tourner le tournevis, ne pas forcer. Ceci pourrait endommager l'unité et/ou le disque. Si après avoir procédé à l'opération décrite ci-dessus, le disque n'est toujours pas éjecté, contacter le vendeur pour assistance.



Manutention des disques

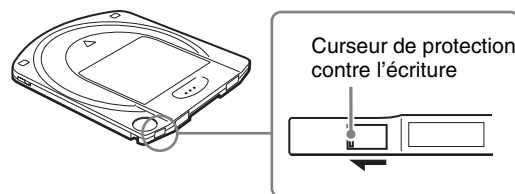
Comment protéger les données des disques

- Ne pas laisser tomber la cartouche disque et ne pas la soumettre à des chocs ou des vibrations violents.
- Ne pas démonter la cartouche disque. C'est un composant de précision qui a été soigneusement ajusté avant l'expédition.
- Ne pas ouvrir l'obturateur de la cartouche disque et ne pas toucher le disque à l'intérieur. L'obturateur est conçu pour s'ouvrir automatiquement quand la cartouche disque est insérée dans les lecteurs.
- Ne pas utiliser la cartouche disque en milieu très humide et/ou soumis à des écarts importants de températures. La condensation peut rendre impossible la lecture ou l'écriture des données.
- Stocker la cartouche disque dans son boîtier rigide.
- Ne pas exposer la cartouche disque aux rayons directs du soleil ou à une chaleur excessive, par exemple, en la laissant sur le tableau de bord ou dans le compartiment à gants d'une voiture.
- Ne pas ranger la cartouche disque dans des endroits soumis aux conditions suivantes :
 - Emplacement exposé à une poussière et/ou des débris excessifs.
 - Emplacement exposé à la lumière directe du soleil.
 - Proximité de sources de chaleur.
 - Emplacement soumis à une humidité élevée.

Protection des données

Les cartouches de données sont dotées d'un curseur de protection contre l'écriture pour éviter l'effacement accidentel des données de la cartouche disque ou l'écriture par inadvertance de données non souhaitées.

Glisser le curseur dans le sens de la flèche conformément à l'illustration ci-dessous. Une surface rouge apparaît à la place du curseur pour indiquer que la cartouche est protégée contre l'écriture. Pour invalider la protection, replacer le curseur à sa position d'origine.



Consulter la description du disque.

Nettoyage des disques

L'appareil et le disque sont conçus pour être étanches à la poussière et aux autres particules de l'air. Par conséquent, il n'est pas nécessaire de nettoyer les disques. L'utilisation d'un dispositif de nettoyage des disques peut endommager leur surface.

Que faire si un disque est inséré alors que l'unité est hors tension.

Un disque peut se bloquer s'il est inséré dans l'unité hors tension. Si le disque est bloqué, redémarrer l'unité et éjecter le disque en lançant une commande EJECT ou en appuyant sur le bouton d'éjection après que le disque est complètement inséré dans l'unité.

Précautions d'utilisation de l'unité

Alimentation

- Utiliser toujours 100 à 240 V ca.
- Ne pas partager la prise secteur avec un équipement à la consommation électrique élevée comme les photocopieurs ou les machines à détruire les documents.

Manutention du câble d'alimentation

- Faire attention de ne placer ou laisser tomber d'objets lourds sur le câble d'alimentation ou de ne pas endommager le câble de toute autre façon. L'utilisation d'un câble endommagé est dangereuse.
- Toujours tenir le câble d'alimentation par sa fiche pour le débrancher d'une prise. Ne pas tirer par le câble afin de ne pas l'endommager.
- Quand l'unité n'est pas utilisée pendant longtemps, débrancher le câble d'alimentation de la prise.

Emplacement

L'unité doit être placée horizontalement ou verticalement sur une surface plate et stable. L'inclinaison maximum autorisée est de 10° pour la surface du bas.

Exigences de l'emplacement

Le choix de l'emplacement pour l'installation ou le rangement de l'unité doit tenir compte des points suivants.

Éviter les conditions suivantes :

- Humidité élevée
- Températures élevées
- Rayonnement solaire direct
- Poussière
- Vibrations intenses
- Écarts importants de températures

Ne pas soumettre l'unité à des chocs ou des vibrations

Une chute ou un impact violent peut endommager l'unité.

Ventilation

Toutes les précautions doivent être prises pour empêcher la surchauffe des mécanismes internes de l'unité. Faire attention de ne pas bloquer ni obstruer les bouches de ventilation et de ne pas placer l'unité dans un endroit mal ventilé. L'unité peut complètement s'arrêter de fonctionner si la température interne devient trop élevée.

Déplacement de l'unité

Sortir la cartouche disque quand l'unité n'est pas utilisée. Ne jamais déplacer ou transporter l'unité avec la cartouche disque insérée. Lorsque l'appareil est en fonctionnement, le disque tourne à haute vitesse. Le déplacement de l'unité en fonctionnement peut perturber la rotation du disque et l'endommager. Toujours retirer la cartouche du disque avant de déplacer l'unité.

Condensation

Éviter de soumettre l'unité à des températures extrêmes. Par exemple, si l'unité est placée soudainement d'un lieu très froid à un lieu chaud, de la condensation peut former de l'humidité dans l'unité à cause de l'élévation rapide de la température ambiante. S'il est impossible d'éviter un changement soudain de température, attendre au moins une heure avant d'utiliser l'unité. L'insertion d'une cartouche disque dans le mécanisme en présence d'humidité peut endommager le disque et l'unité. Retirer immédiatement la cartouche disque en cas de risque de condensation. L'humidité peut rapidement s'évaporer si l'unité est laissée sous tension sans disque inséré.

Alarme de température

Quand la température interne de l'unité dépasse le niveau prédéfini, le témoin d'occupation (BUSY) clignote à des intervalles de 2 secondes, indépendamment de l'activité du disque, et l'unité s'arrête de fonctionner. Dans ce cas, la ventilation du lieu où se trouve l'unité doit être améliorée. Si l'unité refuse encore de fonctionner, débrancher l'unité et contacter le vendeur.

Nettoyage de l'unité

Ne pas utiliser de dispositif de nettoyage de lentille. Le mécanisme de nettoyage interne de la lentille assure un nettoyage automatique périodique de la lentille de lecture. En conséquence, il n'est pas nécessaire de nettoyer la lentille de l'unité. L'utilisation d'un dispositif de nettoyage peut endommager la lentille. Ne jamais utiliser de produits de nettoyage pour nettoyer un disque ou la lentille de l'unité.

Entretien

Nettoyer l'habillage avec un chiffon doux sec ou légèrement imbibé d'une solution détergente douce. Ne pas utiliser de solvant comme l'alcool ou la benzine qui pourrait endommager la finition.

En cas de problème

En cas de problème, éteindre l'unité et la débrancher, puis contacter le vendeur.

Spécifications

Remarque

Les spécifications sont sujettes à changement sans préavis.

Spécifications des disques

Les disques BW-RS101 et BW-RU101 sont compatibles avec les deux types de disques

Capacité de la zone de données	23,3 Go/disque (2048 octets/secteur)
Vitesse de transmission des données à l'utilisateur	
Écriture continue	9 Mo/s (CLV)
	4,5 à 9,0 Mo/s (CAV)
Lecture continue	10,8 Mo/s (CLV)
	4,5 à 10,8 Mo/s (CAV)

Spécifications

Performances

Vitesse de rotation	
Lecture continue CLV (interne)	5042 mn ⁻¹ (tr/mn)
Lecture continue CLV (externe)	2086 mn ⁻¹ (tr/mn)
Écriture continue CLV (interne)	4201 mn ⁻¹ (tr/mn)
Écriture continue CLV (externe)	1738 mn ⁻¹ (tr/mn)
Lecture/Écriture CAV continue	2100 mn ⁻¹ (tr/mn)
Temps de positionnement de la tête	
1/3 de course	320 ms (Écriture continue CLV)
	110 ms (CAV)
Pleine course	900 ms (Écriture continue CLV)
	200 ms (CAV)

Spécifications du bloc contrôleur

Interface hôte	
BW-RS101	Ultra 160 LVD/SE SCSI SCSI Parallel Interface-3 (SPI-3) [ANSI NCITS.336:2000]
BW-RU101	Hi-Speed USB (USB 2.0)
Vitesse de transmission de salve	
BW-RS101	160 Mo/s synchrone (maximum)
BW-RU101	480 Mb/s (maximum)
Capacité de la mémoire tampon	16 Mo

Spécifications de la diode laser

Type	Laser semiconducteur (GaN)
Puissance de sortie	35 mW (CW), 65 mW (pulsé)
Longueur d'onde	403 à 410 nm

Spécifications des conditions ambiantes

Température d'exploitation	+5 à +40°C (+41 à +104°F)
Température d'entreposage	-30 à +60°C (-22 à +140°F)
Gradient de température maximum	+10°C/h (+18°F/h)
Humidité d'exploitation	+10 % à +90 % d'humidité relative, sans condensation
Humidité d'entreposage	+5% à +90 % d'humidité relative, sans condensation
Orientation de montage	Horizontale ou verticale
Inclinaison de montage	Moins de $\pm 10^\circ$

Spécifications mécaniques

Alimentation	100 à 240 V CA, 50/60 Hz
Consommation électrique	0,35 à 0,50 A (maximum)
Dimensions (L x H x P)	199 x 59 x 306 mm (7,8 x 2,3 x 12,1 pouces) (approximativement)
Poids	4,0 kg (8,8 lb) (approximativement)

Sicherheitsvorschriften

WARNUNG

Zur Vermeidung von Bränden oder der Gefahr eines elektrischen Schlages darf das Gerät weder Regen noch Feuchtigkeit ausgesetzt werden.

Zur Vermeidung eines elektrischen Schlages darf das Gehäuse des Gerätes nicht geöffnet werden. Wartungsarbeiten dürfen nur von qualifiziertem Fachpersonal ausgeführt werden.

Achtung

Die in den Geräten BW-RS101 und BW-RU101 verwendeten Laserstrahlen können das Auge schädigen. Zerlegen Sie daher die Einheiten unter keinen Umständen.

Wartungsarbeiten dürfen nur von qualifiziertem Fachpersonal ausgeführt werden.

Die Verwendung von nicht in diesem Handbuch beschriebenen Steuereinrichtungen, Modifikationen oder Verfahren kann zur Aufnahme gefährlicher Strahlung führen.

Bei diesem „Professional Disc for DATA“-Laufwerk handelt es sich um ein LASER-PRODUKT DER KLASSE 1.

Ein entsprechender Aufkleber mit der Beschriftung LASER KLASSE 1 PRODUKT befindet sich auf der Unterseite des Geräts.

CLASS 1
LASER PRODUCT
LASER KLASSE 1
PRODUKT

Im Inneren der Einheiten ist das folgende Schild angebracht:

CAUTION	CLASS 2M LASER RADIATION WHEN OPEN. DO NOT STARE INTO THE BEAM OR VIEW DIRECTLY WITH OPTICAL INSTRUMENTS.
ATTENTION	RADIATIONS LASER DE CLASSE 2M EN CAS D'OUVERTURE. NE PAS REGARDER LE FAISCEAU OU LE REGARDER DIRECTEMENT AVEC DES INSTRUMENTS OPTIQUES.
VORSICHT	KLASSE 2M LASERSTRAHLUNG WENN GEÖFFNET. NICHT IN DEN STRAHL BLICKEN, NICHT DIREKT MIT OPTISCHEN INSTRUMENTEN IN DEN STRAHL BLICKEN.
ADVARSEL	LASERSTRÅLING AF KLASSE 2M VED ÅBNING. SE IKKE IND I STRÅLEN OG KIG IKKE DIREKTE PÅ DEN MED OPTISKE INSTRUMENTER.
ADVARSEL	LASERSTRÅLING I KLASSE 2M NÅR ÅPEN. STIRR IKKE INN I STRÅLEN ELLER SE DIREKTE MED OPTISKE INSTRUMENTER.
VARNING	KLASS 2M LASERSTRÅLING NÅR DENNA DEL ÄR ÖPPNAD. STIRRA EJ IN I STRÅLEN OCH BETRAKTA EJ STRÅLEN MED OPTISKA INSTRUMENT.
VARO!	AVATTUNA LUOKAN 2M LASERSÄTEILYÄ. ÄLÄ TUUJOTA SÄTEESEEN ÄLÄKÄ. KATSO SITÄ SUORAAN OPTISEN LAITTEEN LÄPI.

Achtung

Zur Trennung vom Netz ist der Netzstecker aus der Steckdose zu ziehen, welche sich in der Nähe des Gerätes befinden muß und leicht zugänglich sein soll.

HINWEIS

Maschinenlärminformationsverordnung 3. GSGV, 18.01.1991: Der höchste Schalldruckpegel beträgt 70 dB(A) oder weniger gemäß EN ISO 7779

Diese Ausrüstung erfüllt die Europäischen EMC-Bestimmungen für die Verwendung in folgender/folgenden Umgebung(en):

- Wohngegenden
- Gewerbegebiete
- Leichtindustrialgebiete

(Diese Ausrüstung erfüllt die Bestimmungen der Norm EN55022, Klasse B.)

Entsorgung von gebrauchten elektrischen und elektronischen Geräten (Anzuwenden in den Ländern der Europäischen Union und anderen europäischen Ländern mit einem separaten Sammelsystem für diese Geräte)



Das Symbol auf dem Produkt oder seiner Verpackung weist darauf hin, dass dieses Produkt nicht als normaler Haushaltsabfall zu behandeln ist, sondern an einer Annahmestelle für das Recycling von elektrischen und elektronischen Geräten abgegeben werden muss. Durch Ihren Beitrag zum korrekten Entsorgen dieses Produkts schützen Sie die Umwelt und die Gesundheit Ihrer Mitmenschen. Umwelt und Gesundheit werden durch falsches Entsorgen gefährdet. Materialrecycling hilft den Verbrauch von Rohstoffen zu verringern. Weitere Informationen über das Recycling dieses Produkts erhalten Sie von Ihrer Gemeinde, den kommunalen Entsorgungsbetrieben oder dem Geschäft, in dem Sie das Produkt gekauft haben.



„Professional Disc“ und „Professional Disc for DATA“ sind Warenzeichen der Sony Corporation.

- Der Hersteller übernimmt keinerlei Verantwortung für Verluste, die durch Fehlfunktion oder Verwendung dieses Produkts entstehen können.
- Der Hersteller garantiert nicht die Sicherheit der mit diesem Produkt gespeicherten Daten. Zum Schutz vor unerwünschtem Datenverlust wird die häufige Sicherung wichtiger Daten dringend empfohlen.
- Die vollständige oder teilweise Reproduktion der Inhalte dieses Handbuchs ist verboten.

Inhaltsverzeichnis

Sicherheitsvorschriften	2
WARNUNG.....	2

Chapter 1 Einführung

Überblick	4
Eigenschaften	4
Kompatible Discs	5
Systemkonfiguration	5
BW-RS101 Systemkonfiguration	5
BW-RU101 Systemkonfiguration.....	5
Position und Funktion der Komponenten	6
BW-RS101/BW-RU101 Frontblende	6
BW-RS101 Rückseitenblende.....	7
BW-RU101 Rückseitenblende	8

Chapter 2 Erste Schritte

Checkliste Komponenten und Zubehör	9
BW-RS101 Zubehör	9
BW-RU101 Zubehör	10
Beim Verwenden der Einheit in aufrechter Position	10
Anschließen der Einheit.....	11
Anschließen des Modells BW-RS101.....	11
Anschließen des Modells BW-RU101	12
Einstellen der Funktionen/SCSI-ID	13
BW-RS101 Funktionseinstellungen.....	13
BW-RU101 Funktionseinstellungen	16
Verwenden von Discs	18
Einlegen eines Mediums	18
Auswerfen eines Mediums.....	21
Wenn sich ein Medium nicht auswerfen lässt.....	22
Umgang mit Medien	23
Schützen der Daten auf einem Medium	23

DE

Chapter 3 Vorsichtsmaßnahmen

Vorsichtsmaßnahmen beim Gebrauch der Einheit	24
---	-----------

Chapter 4 Spezifikationen

Spezifikationen	26
Disc-Spezifikationen	26
Spezifikationen.....	26

Überblick

Eigenschaften

Die Sony BW-RS101/BW-RU101 „Professional Disc for DATA“-Einheit zeichnet sich durch die folgenden Eigenschaften aus:

- Das externe optische Speichergerät „Professional Disc for DATA“ verwendet einen Blau-Violett-Kurzwellenlaser mit einer Wellenlänge von 405 nm.
- Die leistungsstarke Objektivlinse zur Fokussierung des Laserstrahls weist eine numerische Blende von 0,85 auf, wodurch ein Spurabstand von nur 0,32 µm erreicht wird. Hierdurch können auf einer Seite einer Disc bis zu 23,3 GB Daten gespeichert werden.
- Ein 0,1 mm dicker Cover Layer gewährleistet eine hohe Neigungstoleranz.
- Die Gesamtstärke der 120-mm-Disc beträgt 1,2 mm. Über der Aufzeichnungsschicht befindet sich ein Cover Layer von nur 0,1 mm. Dies verringert die Fehlerrate bei Krümmung oder Neigung der Disc. Die Neigungstoleranz führt somit zu einer erhöhten Zuverlässigkeit der Lese- und Schreibvorgänge.
- Das Modell BW-RS101 verwendet einen SCSI-3-Anschluss (Ultra 160 LVD/SE SCSI).
- Das Modell BW-RU101 verwendet einen Hi-Speed-USB-Anschluss (USB 2.0).
- Die Suchdauer im CAV-Modus beträgt 110 ms (1/3 Stroke) oder 200 ms (Full Stroke).
- Im CLV-Modus ermöglicht der Hochgeschwindigkeits-Spindelmotor eine Datenübertragungsgeschwindigkeit von 9 MB/s für Schreibvorgänge und 10,8 MB/s für Lesevorgänge.
- Im CAV-Modus ermöglicht der Hochgeschwindigkeits-Spindelmotor eine Datenübertragungsgeschwindigkeit von 4,5 bis 9 MB/s für Schreibvorgänge und 4,5 bis 10 MB/s für Lesevorgänge.

Kompatible Discs

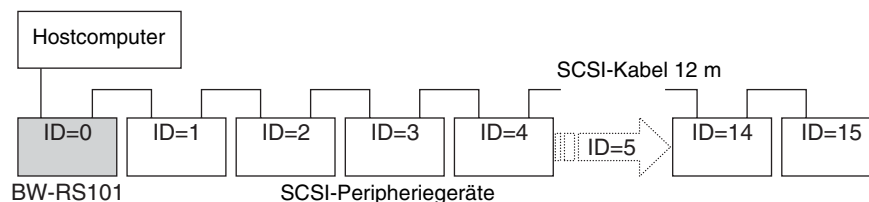
Die Modelle BW-RS101 und BW-RU101 sind kompatibel mit zwei Typen von Discs.

Name der Disc	Typ	Kapazität	Durchmesser der Disc
PDDRW23	Wiederbeschreibbar	23,3 GB	120 mm
PDDWO23	Einmal beschreibbar	23,3 GB	120 mm

Systemkonfiguration

BW-RS101 Systemkonfiguration

Das Modell BW-RS101 wird über die SCSI-Schnittstelle an einen Hostcomputer angeschlossen. An den SCSI-Bus können bis zu fünfzehn Peripheriegeräte in einer Daisy Chain angeschlossen werden. Einzelheiten hierzu finden Sie im Abschnitt „SCSI-Kabel“ auf Seite 11.



Hinweis

Das Modell BW-RS101 unterstützt SE- und LVD-SCSI-Konfigurationen. Wenn eine einzelne Daisy Chain als LVD und SE konfiguriert ist, entspricht die Datenübertragungsrate den SE-Konfigurationen.

BW-RU101 Systemkonfiguration

Das Modell BW-RU101 wird über die USB-Schnittstelle an einen Hostcomputer angeschlossen. Über einen USB-Hub können bis zu 127 Peripheriegeräte an den Hostcomputer angeschlossen werden. Einzelheiten hierzu finden Sie im Abschnitt „USB-Kabel“ auf Seite 12.

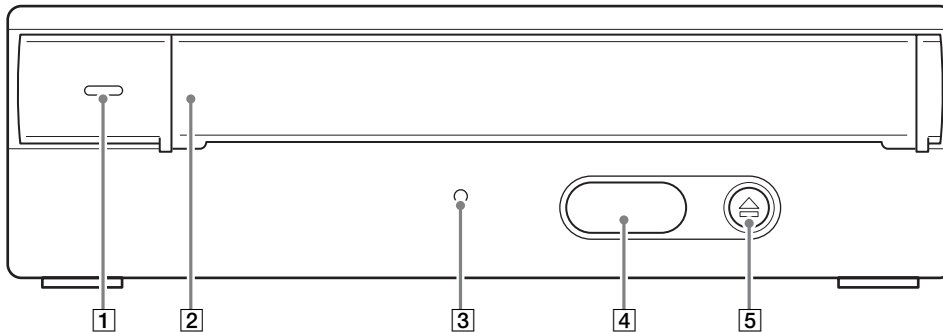
Hinweis

Das Gerät BW-RU101 ist kompatibel zu Hi-Speed-USB (USB 2.0) sowie USB 1.1. Die maximale Datenübertragungsrate bei Hi-Speed-USB beträgt 480 MB/s, bei USB 1.1 dagegen maximal 12 MB/s.

Position und Funktion der Komponenten

Dieser Abschnitt beschreibt die Komponenten der „Professional Disc for DATA“-Einheiten BW-RS101 und BW-RU101 gibt einen Überblick über ihre Funktionen.

BW-RS101/BW-RU101 Frontblende



1 Betriebsanzeige

Leuchtet grün, wenn die Einheit eingeschaltet ist.

2 Laufwerksabdeckung

Öffnen Sie zum Einlegen eines Mediums die Laufwerksabdeckung, indem Sie diese zu sich heranziehen. Schließen Sie nach dem Einlegen eines Mediums die Laufwerksabdeckung. Die Abdeckung wird automatisch geöffnet, wenn Sie ein Medium auswerfen. Sie muss jedoch manuell geschlossen werden.

Ausführliche Informationen hierzu finden Sie unter „Einlegen eines Mediums“ auf Seite 18.

3 Aktivitätsanzeige

Leuchtet beim Lesen und Schreiben von Daten grün bzw. gelb. Werfen Sie die Disc nicht aus, wenn die Anzeige gelb leuchtet.

4 Abdeckung für Notauswurföffnung

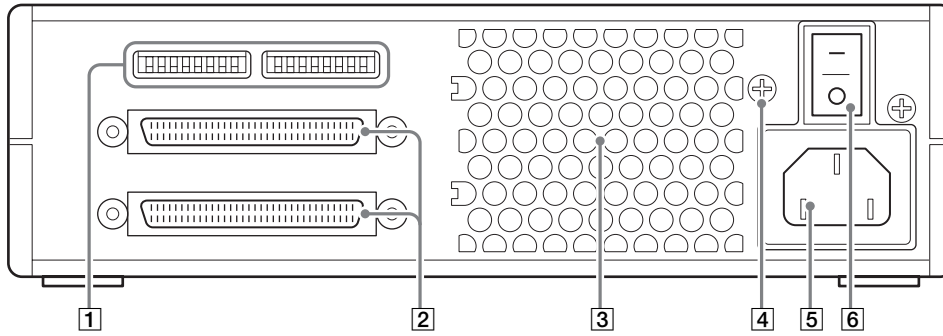
Entfernen Sie diese Abdeckung nur im Notfall, um die Disc auszuwerfen. Siehe „Wenn sich ein Medium nicht auswerfen lässt“ auf Seite 22.

5 Auswurf Taste

Drücken Sie diese Taste, um das Medium aus der Einheit auszuwerfen. Die Disc kann nicht mit der Auswurf Taste ausgeworfen werden, wenn das Gerät abgeschaltet ist.

Hinweis

Wenn der Schreibcache verwendet wird, werden beim Drücken der Auswurf Taste Daten in den Cache geschrieben. Daher kann eine gewisse Zeit vergehen, bis der Datenträger ausgeworfen wird.



1 Funktionsschalter

Verwenden Sie diese Schalter zum Einstellen der SCSI-ID und der Gerätefunktionen. Einzelheiten hierzu finden Sie im Abschnitt „BW-RS101 Funktionseinstellungen“ auf Seite 13.

2 SCSI-Anschlüsse

Schließen Sie hier (separat erhältliche) SCSI-Kabel an, um das Gerät mit dem Hostcomputer und anderen SCSI-Geräten zu verbinden.

3 Lüftungsöffnungen

Zur Kühlung des Gerätes wird Luft durch die Lüftungsöffnung angesaugt.

Hinweis

Achten Sie darauf, dass die Lüftungsöffnungen nicht blockiert werden und der Luftstrom auch nicht anderweitig behindert wird.

4 F.GND (Masseanschluss)

Schließen Sie die Masseanschlüsse der anderen Geräte an den Masseanschluss am Gehäuse der Einheit an.

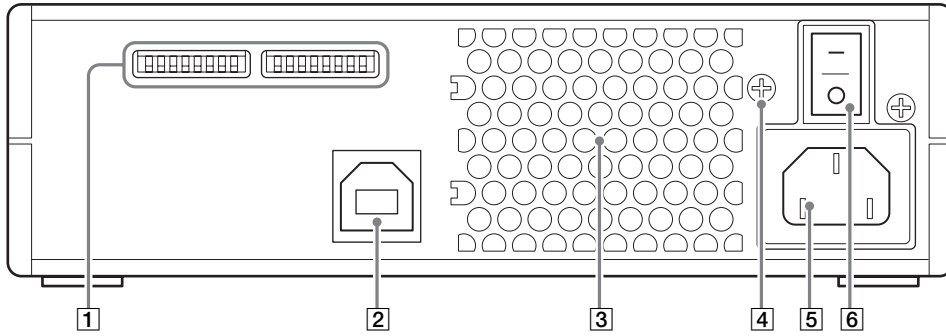
5 Netzanschluss

Schließen Sie hier das mitgelieferte Netzkabel an.

6 Netzschalter

Durch Drücken dieses Schalters auf der mit „I“ gekennzeichneten Seite wird das Gerät eingeschaltet. Zum Abschalten des Gerätes drücken Sie die Seite „O“ der Taste.

BW-RU101 Rückseitenblende



1 Funktionsschalter

Verwenden Sie diese Schalter zum Einstellen der Gerätefunktionen. Einzelheiten hierzu finden Sie im Abschnitt „BW-RU101 Funktionseinstellungen“ auf Seite 16.

2 USB-Anschluss

Schließen Sie hier das mitgelieferte USB-Kabel an, um das Gerät mit dem Hostcomputer zu verbinden.

3 Lüftungsöffnungen

Zur Kühlung des Gerätes wird Luft durch die Lüftungsöffnung angesaugt.

Hinweis

Achten Sie darauf, dass die Lüftungsöffnungen nicht blockiert werden und der Luftstrom auch nicht anderweitig behindert wird.

4 F.GND (Masseanschluss)

Schließen Sie die Masseanschlüsse der anderen Geräte an den Masseanschluss am Gehäuse der Einheit an.

5 Netzanschluss

Schließen Sie hier das mitgelieferte Netzkabel an.

6 Netzschalter

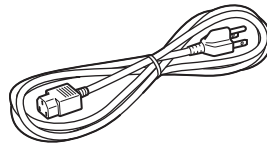
Durch Drücken dieses Schalters auf der mit „I“ gekennzeichneten Seite wird das Gerät eingeschaltet. Zum Abschalten des Gerätes drücken Sie die Seite „O“ der Taste.

Checkliste Komponenten und Zubehör

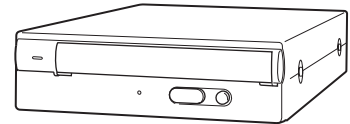
Überprüfen Sie beim Öffnen der Verpackung, dass sämtliche im Folgenden aufgeführten Komponenten und Zubehörteile vorhanden sind. Wenden Sie sich an den Verkäufer, wenn Teile fehlen oder beschädigt sein sollten.

BW-RS101 Zubehör

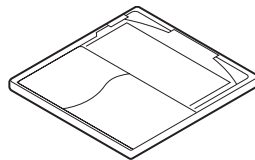
- Netzkabel



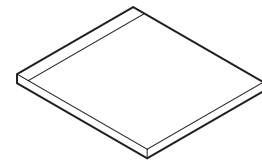
- BW-RS101 „Professional Disc for DATA“-Einheit



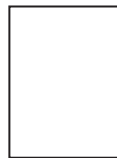
- Disc (PDDRW23)



- Formatierungs-Dienstprogramm



- Sicherheitshinweise



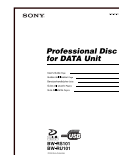
- LVD/SE-Terminator



- Schutzpolster

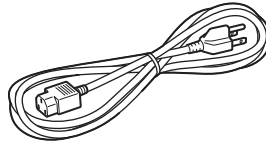


- Benutzerhandbuch
(dieses Dokument)

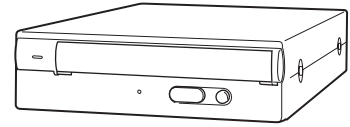


BW-RU101 Zubehör

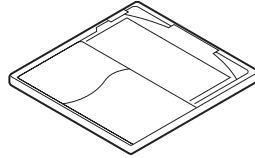
- Netzkabel



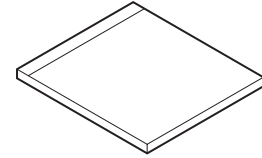
- BW-RU101 „Professional Disc for DATA“-Einheit



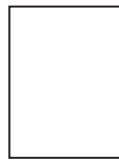
- Disc (PDDRW23)



- Formatierungs-Dienstprogramm



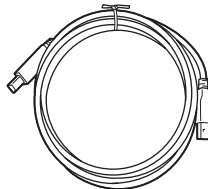
- Sicherheitshinweise



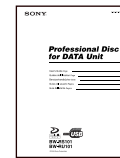
- Schutzpolster



- USB 2.0-Kabel



- Benutzerhandbuch
(dieses Dokument)

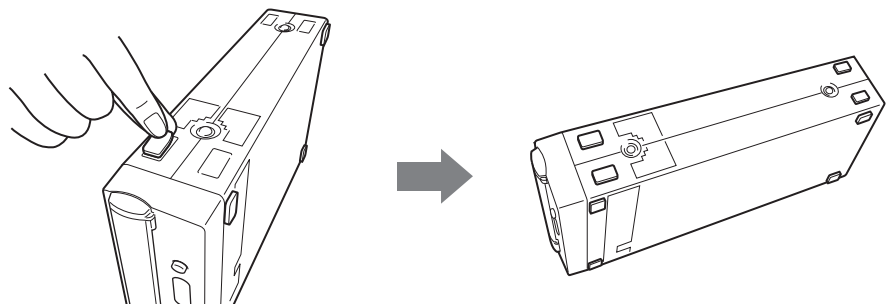


Beim Verwenden der Einheit in aufrechter Position

Kleben Sie vor der Verwendung der Einheit das mitgelieferte Schutzpolster auf den Boden der Einheit, um ein Verkratzen zu verhindern und Funktionsstörungen durch einen instabilen Stand zu vermeiden.

Aufkleben des Schutzpolsters

Kleben Sie das Schutzpolster auf die vier Vertiefungen am Boden der Einheit.



Anschließen der Einheit

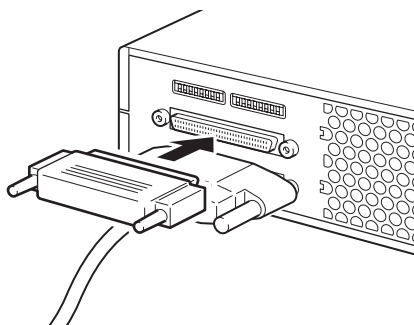
Anschließen des Modells BW-RS101

Sie können die Einheit über einen SCSI-Bus mit bis zu 15 in einer Daisy-Chain-Konfiguration angeschlossenen Geräten an einen Hostcomputer anschließen.

Hinweis

Stellen Sie vor dem Anschließen der Einheit sicher, dass die Einheit und alle anderen Geräte der SCSI-Kette abgeschaltet sind.

- 1 Verbinden Sie ein SCSI-Kabel mit einem der SCSI-Anschlüsse der Einheit.
- 2 Schließen Sie an den anderen SCSI-Anschluss ein Kabel an, wenn Sie ein weiteres Gerät anschließen möchten, oder schließen Sie den mitgelieferten Terminator an, wenn die Einheit das letzte Gerät in der SCSI Daisy Chain ist.



- 3 Schließen Sie ein Netzkabel an den Netzanschluss der Einheit an.

SCSI-Kabel

Als LVD/SE-Kabel kann ein 68-adriges Signalkabel, ein Flachkabel oder ein verdrehtes 34-adriges Signalkabel verwendet werden. Zur Gewährleistung einer hohen Datenübertragungsrate darf die Gesamtlänge der SCSI-Kabel in einer SE-Konfiguration 6 Meter nicht überschreiten. In einer LVD-SCSI-Konfiguration dürfen die Kabel nicht länger als 12 Meter sein.

SCSI-Terminator

Wenn die Einheit das letzte Gerät in der SCSI Daisy Chain ist, schließen Sie den mitgelieferten oder einen separat erworbenen Terminator an, da die Einheit keinen internen Terminator enthält. Zum ordnungsgemäßen Betrieb der Einheit muss ein geeigneter Terminator angeschlossen werden.

Hinweis

Wenn Sie einen anderen als den mit der Einheit mitgelieferten Terminator anschließen, achten Sie darauf, dass dieser Terminator konform zu SPI3:ANSI NCITS:336:2000 ist.

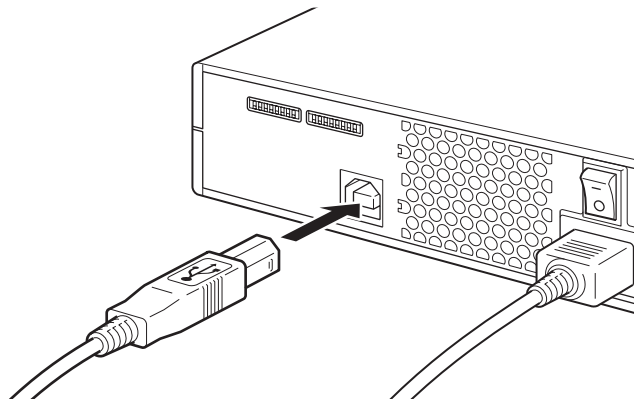
Anschließen des Modells BW-RU101

Schließen Sie Einheit über ein USB-Kabel an den Host-Computer an. Über einen USB können Sie bis zu 127 USB-Geräte anschließen. Das USB-Kabel kann bei eingeschaltetem Hostcomputer angeschlossen und getrennt werden, da BW-RU101 hotplug-fähig ist.

Hinweis

Stellen Sie vor dem Anschließen sicher, dass die Einheit abgeschaltet ist.

- 1 Schließen Sie ein USB-Kabel an den USB-Anschluss der Einheit an.
- 2 Schließen Sie ein Netzkabel an den Netzanschluss der Einheit an.



USB-Kabel

Zur Gewährleistung eines stabilen Betriebs und einer hohen Datenübertragungsrate sollte die Länge des USB-Kabels fünf Meter nicht überschreiten.

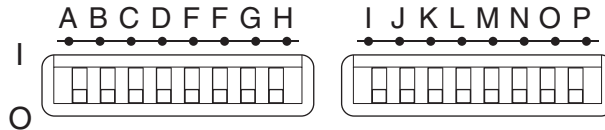
Prüfen Sie vor dem Entfernen des USB-Kabels jedoch, ob die folgenden Bedingungen erfüllt sind, da ansonsten unter Umständen Daten verloren gehen können und das System instabil werden kann.

- Auf der Disc gespeicherte Daten sind nicht in einer Anwendung oder Software geöffnet.
- Die Aktivitätsanzeige ist erloschen oder leuchtet grün.
- Das Medium wurde ausgeworfen. (Es empfiehlt sich, nach dem Auswerfen die Einheit auszuschalten.)

Einstellen der Funktionen/SCSI-ID

BW-RS101 Funktionseinstellungen

Stellen Sie mit den Funktionsschaltern A bis P auf der Rückseite des Gerätes die Gerätefunktionen und die SCSI-ID entsprechend dem verwendeten Hostcomputer und der verwendeten Software ein. Stellen Sie sicher, dass die Einheit abgeschaltet ist, ehe Sie Änderungen an den Stellungen der Funktionsschalter vornehmen.



Schalter	Funktion	1	0
A	Stromversorgung für Terminator	Stromversorgung für Terminator aktiviert	Stromversorgung für Terminator deaktiviert
B	CAV erzwingen	Alle Vorgänge werden im CAV-Suchmodus ausgeführt.	Optimaler Modus aktiviert. (Automatische CAV/CLV-Auswahl)
C	Hintergrund-Formatierung	Hintergrund-Formatierung aktiviert	Hintergrund-Formatierung deaktiviert
D	Reserviert*	—	
E	Reserviert*		
F	Verifizierung unterdrücken		
G	Schreibcache-Steuerung	Schreibcache deaktiviert	Schreibcache aktiviert
H	Gerätetyp	Gerätetyp als 00H melden (Gerät mit Direktzugriff)	Gerätetyp als 07H melden (optisches Speichergerät)
I	SCSI-Paritätsprüfung	SCSI-Paritätsprüfung aktiviert	SCSI-Paritätsprüfung deaktiviert
J	Reserviert*	—	
K	Reserviert*		
L	Reserviert*		
M	SCSI-ID 3	Informationen zum Einstellen der SCSI-ID finden Sie im Abschnitt „BW-RS101 SCSI-ID-Einstellungen“ auf Seite 15.	
N	SCSI-ID 2		
O	SCSI-ID 1		
P	SCSI-ID 0		

 :Werkseinstellungen

Funktionsschaltereinstellungen

Hinweis

• Reserviert*

Stellen Sie keine reservierten Schalter auf 1. Eine Änderung der Einstellung dieser Schalter kann zur Fehlfunktion der Einheit führen.

• **Formatierung im Hintergrund**

Die Einheit ist mit einer Funktion zur Formatierung im Hintergrund ausgestattet. Es wird empfohlen, noch nicht verwendete Discs vor dem Gebrauch physisch zu formatieren, um die Zuverlässigkeit der Schreibvorgänge zu erhöhen. Wenn Sie die Formatierung im Hintergrund deaktivieren, können Sie die physische Formatierung mit dem Befehl FORMAT starten. Bei der Formatierung überprüft die Einheit alle Sektoren der Disc. Defekte Sektoren werden erkannt und als defekt registriert. Diese Art der Formatierung dauert ungefähr 80 Minuten. Wenn Sie die Formatierung im Hintergrund aktivieren, wird die physische Formatierung automatisch im Hintergrund gestartet, ohne dass der Befehl FORMAT empfangen werden muss. Hierdurch können Sie während der Formatierung sogar Daten lesen und schreiben. Diese Art der Formatierung dauert ungefähr 135 Minuten.

Sicherheitshinweise

• **Zur besonderen Beachtung bei der Formatierung im Hintergrund**

Schalten Sie die Einheit während einer Formatierung im Hintergrund nie ab, ohne die Disc auszuwerfen. Unter Umständen kann die Einheit die Daten nicht ordnungsgemäß schreiben und kennzeichnet sie stattdessen als defekte Sektoren, wenn Sie die Einheit während der Formatierung im Hintergrund abschalten, ohne die Disc auszuwerfen. Werfen Sie daher vor dem Abschalten der Einheit das Medium mit dem Befehl EJECT oder durch Drücken der Auswurf Taste aus.

• **Verifizierung unterdrücken**

Wenn Sie die Verifizierung der Schreibvorgänge unterdrücken, ist die Verwendung physisch formatierter Discs dringend zu empfehlen. Das Unterdrücken der Verifizierung bewirkt zwar eine höhere Übertragungsrates, kann jedoch die Zuverlässigkeit der geschriebenen Daten beeinträchtigen. Auch wenn Sie die Verifizierung der Schreibvorgänge deaktivieren, wird diese für alle Schreibvorgänge auf nicht physisch formatierte Discs erzwungen.

• **Zur besonderen Beachtung bei der Verwendung des Schreibcaches**

Die Einheit ist mit einer Schreibcache-Funktion ausgestattet. Wenn der Schreibcache aktiviert ist, schalten Sie die Einheit nie aus, ohne sicherzustellen, dass alle Daten aus dem Cachespeicher auf die Disc geschrieben wurden. Wenn die Stromversorgung abgeschaltet wird, ehe alle Daten im Cachespeicher auf das Medium geschrieben wurden, gehen die Daten verloren. Achten Sie darauf, vor dem Ausschalten der Einheit die Disc auszuwerfen, da hierbei die Daten aus dem Cachespeicher auf die Disc geschrieben werden. Obwohl das Laufwerk alle Daten im Cachespeicher regelmäßig auf die Disc schreibt, können bei einem Stromausfall noch immer Daten verloren gehen.

BW-RS101 SCSI-ID-Einstellungen

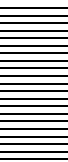
Verwenden Sie zum Einstellen der SCSI-ID die Funktionsschalter M bis P.

SCSI-ID	Funktionsschalter			
	P (SCSI 0)	O (SCSI 1)	N (SCSI 2)	M (SCSI 3)
0	AUS	AUS	AUS	AUS
1	EIN	AUS	AUS	AUS
2	AUS	EIN	AUS	AUS
3	EIN	EIN	AUS	AUS
4	AUS	AUS	EIN	AUS
5	EIN	AUS	EIN	AUS
6	AUS	EIN	EIN	AUS
7	EIN	EIN	EIN	AUS
8	AUS	AUS	AUS	EIN
9	EIN	AUS	AUS	EIN
10	AUS	EIN	AUS	EIN
11	EIN	EIN	AUS	EIN
12	AUS	AUS	EIN	EIN
13	EIN	AUS	EIN	EIN
14	AUS	EIN	EIN	EIN
15	EIN	EIN	EIN	EIN

SCSI-ID-Einstellungen

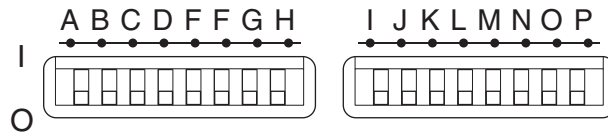
Hinweis

Achten Sie darauf, dass die gewählte SCSI-ID keinem anderen SCSI-Gerät zugewiesen wurde.



BW-RU101 Funktionseinstellungen

Stellen Sie mit den Funktionsschaltern B bis H auf der Rückseite des Gerätes die Gerätefunktionen entsprechend dem verwendeten Hostcomputer und der verwendeten Software ein. Stellen Sie sicher, dass die Einheit abgeschaltet ist, ehe Sie Änderungen an den Schalterstellungen vornehmen.



Schalter	Funktion	1	0
A	Reserviert	—	
B	CAV erzwingen	Alle Vorgänge werden im CAV-Suchmodus ausgeführt.	Optimaler Modus aktiviert. (Automatische CAV/CLV-Auswahl)
C	Hintergrund-Formatierung	Hintergrund-Formatierung aktiviert	Hintergrund-Formatierung deaktiviert
D	Reserviert*	—	
E	Reserviert*		
F	Verifizierung unterdrücken	Schreibvorgänge nicht verifizieren	Schreibvorgänge verifizieren
G	Schreibcache-Steuerung	Schreibcache deaktiviert	Schreibcache aktiviert
H	Gerätetyp	Gerätetyp als 00H melden (Gerät mit Direktzugriff)	Gerätetyp als 07H melden (optisches Speichergerät)
I	Reserviert*	—	
J	Reserviert*		
K	Reserviert*		
L	Reserviert*		
M	Reserviert*		
N	Reserviert*		
O	Reserviert*		
P	Reserviert*		

■ :Werkseinstellungen

BW-RU101 Funktionsschaltereinstellungen

Hinweis

• Reserviert*

Stellen Sie keine reservierten Schalter auf 1. Eine Änderung der Einstellung dieser Schalter kann zur Fehlfunktion der Einheit führen.

- **Formatierung im Hintergrund**

Die Einheit ist mit einer Funktion zur Formatierung im Hintergrund ausgestattet. Es wird empfohlen, noch nicht verwendete Discs vor dem Gebrauch physisch zu formatieren, um die Zuverlässigkeit der Schreibvorgänge zu erhöhen. Wenn Sie die Formatierung im Hintergrund deaktivieren, können Sie die physische Formatierung mit dem Befehl FORMAT starten. Bei der Formatierung überprüft die Einheit alle Sektoren der Disc. Defekte Sektoren werden erkannt und als defekt registriert. Diese Art der Formatierung dauert ungefähr 80 Minuten. Wenn Sie die Formatierung im Hintergrund aktivieren, wird die physische Formatierung automatisch im Hintergrund gestartet, ohne dass der Befehl FORMAT empfangen werden muss. Hierdurch können Sie während der Formatierung sogar Daten lesen und schreiben. Diese Art der Formatierung dauert ungefähr 135 Minuten.

Sicherheitshinweise

- **Zur besonderen Beachtung bei der Formatierung im Hintergrund**

Schalten Sie die Einheit während einer Formatierung im Hintergrund nie ab, ohne die Disc auszuwerfen. Unter Umständen kann die Einheit die Daten nicht ordnungsgemäß schreiben und kennzeichnet sie stattdessen als defekte Sektoren, wenn Sie die Einheit während der Formatierung im Hintergrund abschalten, ohne die Disc auszuwerfen. Werfen Sie daher vor dem Abschalten der Einheit das Medium mit dem Befehl EJECT oder durch Drücken der Auswurf Taste aus.

- **Verifizierung unterdrücken**

Wenn Sie die Verifizierung der Schreibvorgänge unterdrücken, ist die Verwendung physisch formatierter Discs dringend zu empfehlen. Das Unterdrücken der Verifizierung bewirkt zwar eine höhere Übertragungsrates, kann jedoch die Zuverlässigkeit der geschriebenen Daten beeinträchtigen. Auch wenn Sie die Verifizierung der Schreibvorgänge deaktivieren, wird diese für alle Schreibvorgänge auf nicht physisch formatierte Discs erzwungen.

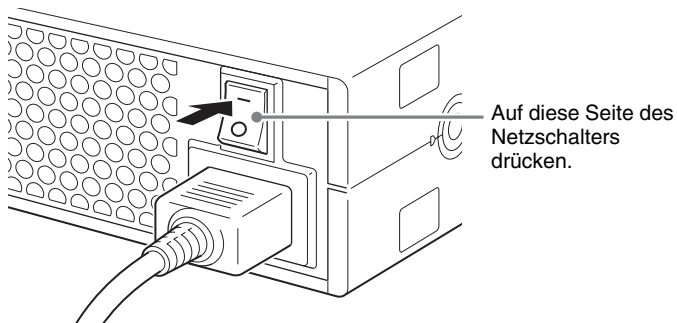
- **Zur besonderen Beachtung bei der Verwendung des Schreibcaches**

Die Einheit ist mit einer Schreibcache-Funktion ausgestattet. Wenn der Schreibcache aktiviert ist, schalten Sie die Einheit nie aus, ohne sicherzustellen, dass alle Daten aus dem Cachespeicher auf die Disc geschrieben wurden. Wenn die Stromversorgung abgeschaltet wird, ehe alle Daten im Cachespeicher auf das Medium geschrieben wurden, gehen die Daten verloren. Achten Sie darauf, vor dem Ausschalten der Einheit die Disc auszuwerfen, da hierbei die Daten aus dem Cachespeicher auf die Disc geschrieben werden. Obwohl das Laufwerk alle Daten im Cachespeicher regelmäßig auf die Disc schreibt, können bei einem Stromausfall noch immer Daten verloren gehen.

Verwenden von Discs

Einlegen eines Mediums

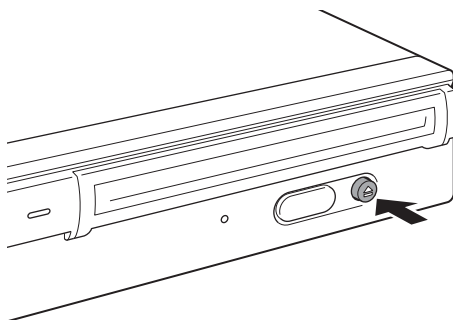
- 1 Schalten Sie die Einheit ein.
Betätigen Sie den Netzschalter auf der Rückseite der Einheit.



- 2 Schalten Sie den Hostcomputer ein.
Einzelheiten hierzu finden Sie in der Dokumentation des Hostcomputers.
- 3 Öffnen Sie die Laufwerksabdeckung.

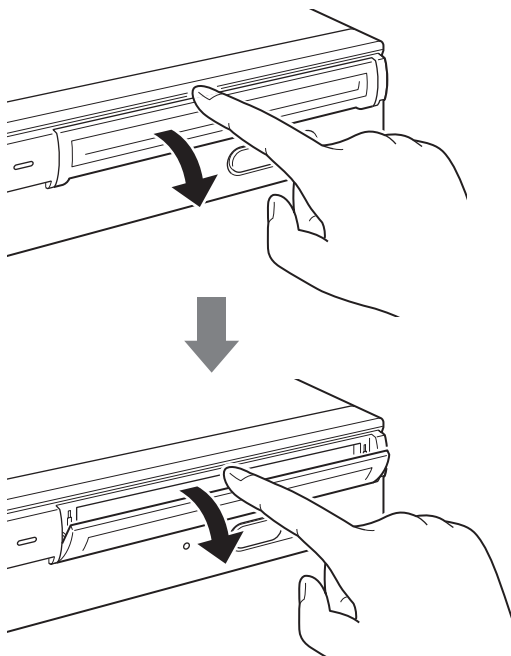
Automatische Öffnung

Drücken Sie die Auswurf-taste, um die Laufwerksabdeckung zu öffnen.



Manuelle Öffnung

Öffnen Sie die Laufwerksabdeckung, indem Sie diese, wie in der Abbildung gezeigt, zu sich heranziehen.

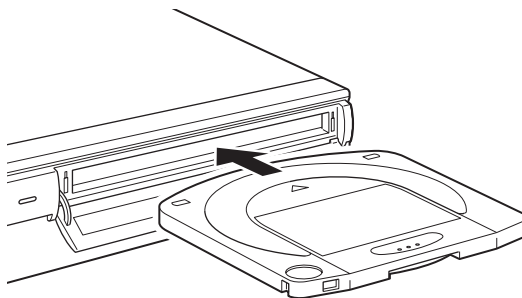


Hinweis

Öffnen Sie die Laufwerksabdeckung vorsichtig, ohne übermäßig viel Kraft anzuwenden.

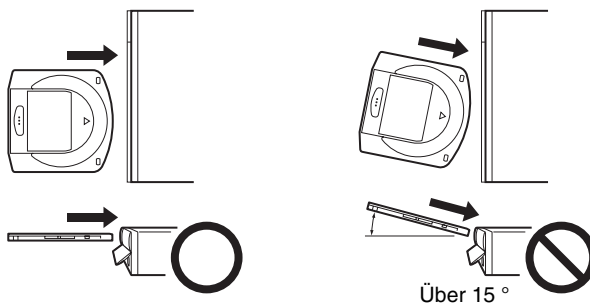
4 Legen Sie ein Medium ein.

Legen Sie das Medium entsprechend der Abbildung ein.



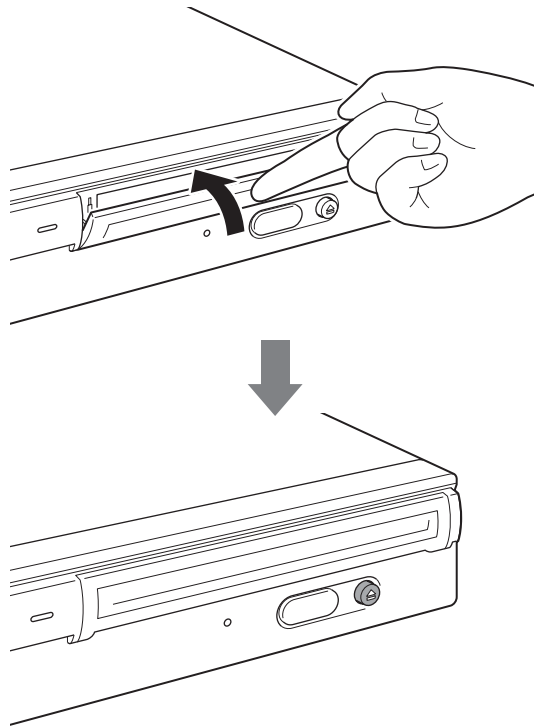
Hinweis

Richtungsverkehrtes Einlegen des Mediums kann das Medium oder die Einheit beschädigen.



5 Schließen Sie die Laufwerksabdeckung.

Schließen Sie die Laufwerksabdeckung, nachdem Sie das Medium vollständig eingelegt haben.



Hinweis

Um das Eindringen von Schmutz und Staub in die Einheit zu verhindern, halten Sie die Laufwerksabdeckung geschlossen, solange Sie kein Medium einlegen oder auswerfen.

6 Lesen und/oder schreiben Sie Daten auf das Medium.

Lesen und/oder schreiben Sie Daten mit SCSI-Befehlen -oder Software auf dem Hostcomputer auf das Medium. Während des Lese- bzw. Schreibvorgangs leuchtet die Aktivitätsanzeige.

Hinweis

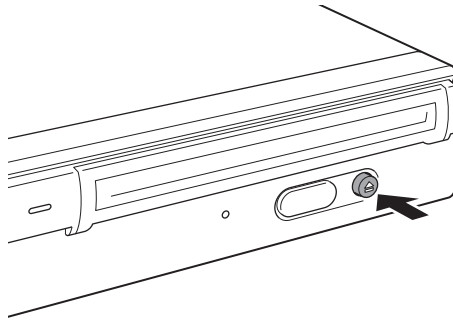
Ausführliche Informationen hierzu finden Sie unter <http://www.sony.net/ProDATA/> in den SCSI-Spezifikationen beziehungsweise dem Installationshandbuch für „Professional Disc for Data“ auf der Website von Sony.

Auswerfen eines Mediums

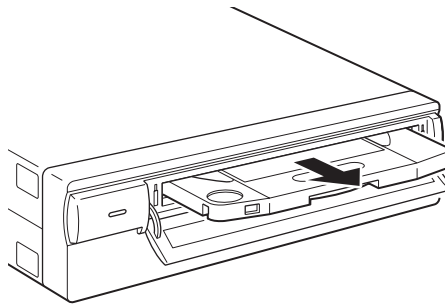
Hinweis

Auch wenn der Schreibvorgang der Daten auf dem Hostcomputer abgeschlossen ist, leuchtet möglicherweise die Aktivitätsanzeige orange auf, da noch Daten auf dem Laufwerk geschrieben werden. Drücken Sie in diesem Fall nicht die Auswurf-taste.

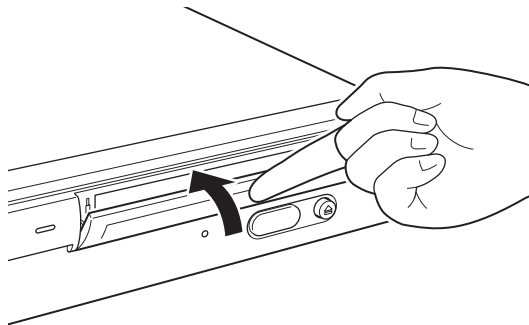
- 1 Werfen Sie die Disc mit dem Befehl EJECT oder durch Drücken der Auswurf-taste aus.



Die Einheit öffnet beim Auswerfen der Disc automatisch die Laufwerksabdeckung.



- 2 Schließen Sie die Laufwerksabdeckung nach dem Entnehmen der Disc aus der Einheit mit einem Fingerdruck.

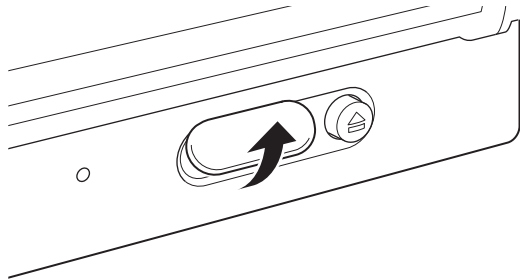


Wenn sich ein Medium nicht auswerfen lässt

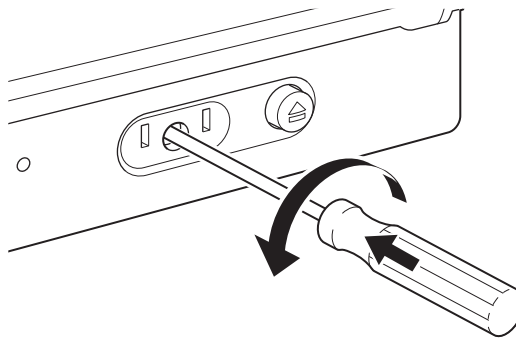
Notauswurföffnung

Wenn sich die Disc nicht mit der Auswurf-taste oder dem SCSI-Befehl „EJECT“ auswerfen lässt, schalten Sie die Einheit ab und werfen Sie die Disc mit einem Feinmechanik-Kreuzschlitzschraubendreher aus.

- 1 Entfernen Sie die Abdeckung für die Notauswurföffnung.



- 2 Führen Sie den Feinmechanik-Kreuzschlitzschraubendreher (Durchmesser 5 mm) in die Notauswurföffnung ein und drehen Sie ihn unter Druck entgegen dem Uhrzeigersinn. (Zum Auswerfen des Mediums sind ungefähr 200 Umdrehungen erforderlich.)



Sicherheitshinweise

Betätigen Sie den Schraubendreher nicht mit Gewalt. Dies könnte die Einheit oder die Disc beschädigen. Wenn die Disc auf diese Weise nicht ausgeworfen werden kann, wenden Sie sich an den Händler, bei dem Sie die Einheit erworben haben.

Umgang mit Medien

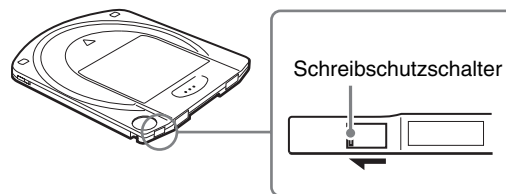
Schützen der Daten auf einem Medium

- Lassen Sie Disc Cartridges nicht fallen und schützen Sie sie vor Erschütterungen und Vibrationen.
- Zerlegen Sie Disc Cartridges nicht. Disc Cartridges sind Präzisionskomponenten, die vor der Auslieferung sorgfältig eingestellt wurden.
- Öffnen Sie auf keinen Fall manuell die Abdeckung der Disc Cartridge und berühren Sie nicht den Datenträger im Inneren der Cartridge. Die Abdeckung wird automatisch beim Einlegen der Disc Cartridge in das Gerät geöffnet.
- Verwenden Sie die Disc Cartridge nicht in Umgebungen mit hoher Luftfeuchtigkeit und starken Temperaturschwankungen. Durch Kondensation kann die Disc Cartridge unbrauchbar werden.
- Lagern Sie die Disc Cartridge stets in dem mitgelieferten Behälter.
- Setzen Sie die Disc Cartridge keiner direkten Sonneneinstrahlung oder übermäßigen Hitze aus, z. B. auf der Ablage oder im Handschuhfach eines PKW.
- Vermeiden Sie bei der Lagerung der Disc Cartridge die folgenden Bedingungen:
 - Übermäßig staubige oder verschmutzte Standorte
 - Direkter Sonneneinstrahlung ausgesetzte Standorte
 - Standorte in der Nähe von Wärmequellen
 - Standorte mit hoher Luftfeuchtigkeit.

Schutz der gespeicherten Daten

Daten-Cartridges sind zum Schutz vor der zufälligen Löschung von Daten auf der Disc Cartridge sowie zum versehentlichen Schreiben von Daten auf die Cartridge mit einem Schreibschutzschalter versehen.

Schieben Sie den Schalter entsprechend der folgenden Illustration in Pfeilrichtung. Schreibgeschützte Cartridges sind durch eine rote Fläche an der Position des Schreibschutzschalters gekennzeichneten. Um den Schreibschutz aufzuheben, schieben Sie den Schalter in seine Ausgangsposition zurück.



Beachten Sie die Beschreibung der Discs.

Reinigen von Discs

Die Einheit und die Discs sind unempfindlich gegen Staub und andere in der Luft enthaltenen Schadstoffe. Eine Reinigung der Discs ist daher nicht erforderlich. Die Verwendung eines Reinigungsgerätes für Discs kann die Oberfläche der Disc beschädigen.

Wenn ein Medium bei abgeschalteter Einheit eingelegt wurde.

Wenn ein Medium in eine abgeschaltete Einheit eingelegt wird, kann es unter Umständen verriegelt werden. Wenn ein Medium verriegelt ist, schalten Sie die Einheit erneut ein und werfen Sie das Medium mit dem Befehl EJECT oder durch Drücken der Auswurf Taste aus, nachdem Sie es vollständig in die Einheit hineingeschoben haben.

Vorsichtsmaßnahmen beim Gebrauch der Einheit

Stromversorgung

- Verwenden Sie eine Netzspannung von 100 bis 240 V Wechselstrom.
- Schließen Sie keine weiteren Verbraucher wie Kopierer oder Schalter an die Steckdose an.

Umgang mit dem Stromkabel

- Achten Sie darauf, keine schweren Gegenstände auf das Kabel zu stellen oder Stromkabel fallen zu lassen, da dies das Kabel beschädigen kann. Die Verwendung eines beschädigten Kabels ist gefährlich.
- Ziehen Sie das Kabel nur am Stecker aus der Steckdose heraus. Durch Ziehen am Kabel kann das Kabel beschädigt werden.
- Wenn die Einheit über längere Zeit nicht verwendet wird, trennen Sie das Stromkabel von der Steckdose.

Standort

Die Einheit muss horizontal oder vertikal auf einer flachen, stabilen Oberfläche abgestellt werden. Der höchstzulässige Neigungswinkel der Stellfläche beträgt 10 Grad.

Standortanforderungen

Die Standorte für die Installation und Aufbewahrung des Gerätes sind sorgfältig auszuwählen.

Vermeiden Sie die folgenden Bedingungen:

- Hohe Luftfeuchtigkeit
- Hohe Temperaturen
- Direkte Sonneneinstrahlung
- Staub
- Starke Vibrationen
- Starke Temperaturschwankungen

Schützen Sie die Einheit vor Stoß und Vibration

Die Einheit kann durch Herunterfallen oder starke Stöße beschädigt werden.

Belüftung

Die inneren Mechanismen der Einheit sind vor Überhitzung zu schützen. Achten Sie darauf, dass die Lüftungsöffnung nicht verdeckt wird, und stellen Sie die Einheit nur an gut belüfteten Orten auf. Bei zu hoher Innentemperatur unterbricht die Einheit den Betrieb.

Transportieren der Einheit

Entnehmen Sie stets die Disc Cartridge, wenn das Laufwerk nicht verwendet wird. Transportieren oder bewegen Sie die Einheit niemals mit eingelegter Disc Cartridge. Die Disc rotiert im Betrieb mit hoher Geschwindigkeit. Ein Transport der Einheit mit rotierender Disc kann zur Beschädigung der Disc führen. Entnehmen Sie vor jedem Transport der Einheit die Disc Cartridge.

Kondensation

Schützen Sie die Einheit vor hohen Temperaturschwankungen. Wenn die Einheit zum Beispiel unvermittelt von einem kalten an einen warmen Standort transportiert wird, kann es aufgrund des schnellen Anstiegs der Umgebungstemperatur im Inneren der Einheit zur Bildung von Kondensationsfeuchtigkeit kommen. Wenn ein plötzlicher Temperaturwechsel nicht vermeidbar ist, warten Sie mindestens eine Stunde, ehe Sie die Einheit verwenden. Das Einlegen einer Disc Cartridge bei Feuchtigkeit in der Einheit kann die Disc und die Einheit beschädigen. Entnehmen Sie die Disc Cartridge sofort, wenn Sie Probleme im Zusammenhang mit Kondensation vermuten. Wenn die Einheit ohne eingelegte Disc eingeschaltet bleibt, verdunstet die Feuchtigkeit in der Regel innerhalb kurzer Zeit.

Temperaturwarnung

Wenn die Temperatur in der Einheit den voreingestellten Wert überschreitet, beginnt die Aktivitätsanzeige im 2-Sekunden-Intervall zu blinken, und die Einheit stellt den Betrieb ein. Sorgen Sie in diesem Fall für eine bessere Belüftung des Aufstellungsortes. Wenn die Einheit danach den Betrieb nicht wieder aufnimmt, trennen Sie die Einheit vom Netz und wenden Sie sich an Ihren Händler.

Reinigen der Einheit

Verwenden Sie kein Gerät zur Linsenreinigung. Der integrierte Linsenreinigungsmechanismus sorgt für eine regelmäßige automatische Reinigung der Linse. Es ist daher nicht erforderlich, die Linse der Einheit zu reinigen. Die Verwendung eines Gerätes zur Linsenreinigung kann die Linse beschädigen. Verwenden Sie auf keinen Fall Reinigungsmittel zur Reinigung von Discs oder der Linse.

Wartung

Reinigen Sie das Gehäuse mit einem weichen Tuch, das Sie leicht mit mildem Haushaltsreiniger angefeuchtet haben. Verwenden Sie keine Lösungsmittel wie Alkohol oder Benzin, da diese die Oberfläche beschädigen können.

Maßnahmen beim Auftreten von Störungen

Schalten Sie bei jedem Auftreten von Störungen die Einheit ab, trennen Sie sie von der Netzspannung, und wenden Sie sich an Ihren Händler.

Spezifikationen

Hinweis

Die Spezifikationen können ohne vorherige Ankündigung geändert werden.

Disc-Spezifikationen

Die Modelle BW-RS101 und BW-RU101 sind kompatibel mit zwei Typen von Discs.

Kapazität der Datenzone	23,3 GB/Disc (2048 Bytes/Sektor)
Benutzer-Datenrate	
Sustained Write (dauerhafte Schreibgeschwindigkeit)	9 MB/s (CLV)
	4,5 bis 9,0 MB/s (CAV)
Sustained Read (dauerhafte Lesegeschwindigkeit)	10,8 MB/s (CLV)
	4,5 bis 10,8 MB/s (CAV)

Spezifikationen

Leistung

Rotationsgeschwindigkeit	
CLV Sustained Read (innen)	5042 min ⁻¹ (U/min)
CLV Sustained Read (außen)	2086 min ⁻¹ (U/min)
CLV Sustained Write (innen)	4201 min ⁻¹ (U/min)
CLV Sustained Write (außen)	1738 min ⁻¹ (U/min)
CAV Sustained Read/Write	2100 min ⁻¹ (U/min)
Suchdauer	
1/3 Stroke	320 ms (CLV Sustained Write)
	110 ms (CAV)
Full stroke	900 ms (CLV Sustained Write)
	200 ms (CAV)

Spezifikationen des Controllerblocks

Hostschnittstelle	
BW-RS101	Ultra 160 LVD/SE SCSI SCSI-Parallelschnittstelle -3 (SPI-3) [ANSI NCITS.336:2000]
BW-RU101	Hi-Speed USB (USB 2.0)
Burst-Datenrate	
BW-RS101	160 MB/s Synchron (max.)
BW-RU101	480 MB/s (max.)
Pufferspeicher	16 MB

Spezifikationen der Laserdiode

Typ	Halbleiterlaser (GaN)
Ausgangsleistung	35 mW (CW), 65 mW (Impuls)
Wellenlänge	403 bis 410 nm

Umgebungsspezifikationen

Betriebstemperatur	+5 bis +40 °C
Lagertemperatur	-30 bis +60 °C
Maximaler Temperaturgradient	+10 °C/h
Betriebsluftfeuchtigkeit	+10 % bis +90 % r. L., nicht kondensierend
Lagerluftfeuchtigkeit	+5 % bis +90 % r. L., nicht kondensierend
Einbauausrichtung	Horizontal oder vertikal
Einbauneigung	unter ±10 °

Mechanische Spezifikationen

Stromversorgung	100-240 V~, 50/60 Hz
Stromaufnahme	0,35-0,50 A (max.)
Abmessungen (B × H × T)	199 × 59 × 306 mm (ungefähr)
Masse	4,0 kg (ungefähr)

Normas de seguridad

Precaución

Para desconectar la corriente se debe utilizar el enchufe del cable de alimentación de este equipo. Asegúrese de que las tomas de corriente estén instaladas cerca del equipo y que sean de fácil acceso.

Tratamiento de los equipos eléctricos y electrónicos al final de su vida útil (Aplicable en la Unión Europea y en países europeos con sistemas de recogida selectiva de residuos)



Este símbolo en su equipo o su embalaje indica que el presente producto no puede ser tratado como residuos domésticos normales, sino que deben entregarse en el correspondiente punto de recogida de equipos eléctricos y electrónicos. Asegurándose de que este producto es desechado correctamente, Ud. está ayudando a prevenir las consecuencias negativas para el medio ambiente y la salud humana que podrían derivarse de la incorrecta manipulación de este producto. El reciclaje de materiales ayuda a conservar las reservas naturales. Para recibir información detallada sobre el reciclaje de este producto, por favor, contacte con su ayuntamiento, su punto de recogida más cercano o el distribuidor donde adquirió el producto.



y “Professional Disc for DATA” son marcas comerciales de Sony Corporation.

- El fabricante no se hace responsable de ninguna pérdida debida al mal funcionamiento de este aparato.
- El fabricante no garantiza la seguridad de los datos almacenados usando este aparato. Para evitar perder datos por accidente se recomienda hacer copias de reserva de los datos importantes.
- La reproducción total o parcial del contenido de este manual está prohibida.

Tabla de contenido

Normas de seguridad	2
---------------------------	---

Chapter 1 *Introducción*

Descripción general	4
Características	4
Discos compatibles.....	5
Configuración del sistema.....	5
Configuración del sistema para la unidad BW-RS101 ...	5
Configuración del sistema para la unidad BW-RU101...	5
Ubicación y función de los componentes.....	6
Panel frontal de la unidad BW-RS101/BW-RU101	6
Panel posterior de la unidad BW-RS101	7
Panel posterior de la unidad BW-RU101.....	8

Chapter 2 *Procedimientos iniciales*

Lista de componentes y accesorios.....	9
Lista de accesorios de la unidad BW-RS101	9
Lista de accesorios de la unidad BW-RU101	10
Si utiliza la unidad en posición vertical.....	10
Conexión de la unidad	11
Conexión de la unidad BW-RS101	11
Conexión de la unidad BW-RU101	12
Configuración de las funciones/SCSI ID	13
Configuración de las funciones de la unidad BW-RS101	13
Configuración de las funciones de la unidad BW-RU101	16
Utilización de los discos	18
Inserción de un disco.....	18
Expulsión de un disco	21
Qué hacer si el disco no se expulsa.....	22
Acerca del manejo de los discos	23
Cómo proteger los datos del disco	23

ES

Chapter 3 *Precauciones de uso*

Precauciones de uso de la unidad.....	24
---------------------------------------	----

Chapter 4 *Especificaciones*

Especificaciones	26
Especificaciones de los discos	26
Especificaciones.....	26

Introducción | Capítulo

1

Descripción general

Características

La unidad “Professional Disc for DATA” BW-RS101/BW-RU101 de Sony se entrega con las características siguientes.

- La unidad de disco óptico externo “Professional Disc for DATA” utiliza un láser azul violeta de onda corta con una longitud de onda de 405 nm.
- La potente lente objetiva que se utiliza para enfocar el rayo de láser dispone de una apertura numérica de 0,85, lo que permite una distancia entre pistas de sólo 0,32 μm . Esta característica permite escribir hasta 23,3 GB de datos en una cara del disco.
- La capa de cubierta de 0,1 mm permite un alta tolerancia a la inclinación.
- El grosor global de los discos de 120 mm es de 1,2 mm y la capa de escritura tiene una capa de cubierta de tan sólo 0,1 mm de grosor, lo que aumenta de forma efectiva el margen de error al inclinar o doblar el disco. Por lo tanto, la tolerancia de inclinación es la suficiente para mejorar la fiabilidad de las operaciones de lectura y escritura.
- El modelo BW-RS101 utiliza SCSI-3 (Ultra SCSI 160 LVD/SE).
- El modelo BW-RU101 utiliza Hi-Speed USB (USB 2.0).
- El tiempo de búsqueda en CAV es de 110 ms (1/3 de trazo) o 200 ms (trazo completo).
- En modo CLV, el motor del eje de alta velocidad permite una velocidad de transferencia de datos de escritura de 9 MB/s y una velocidad de transferencia de datos de lectura de 10,8 MB/s.
- En CAV, el motor del eje de alta velocidad permite una velocidad de transferencia de datos de escritura de 4,5 a 9 MB/s y una velocidad de transferencia de datos de lectura de 4,5 a 10,8 MB/s.

Discos compatibles

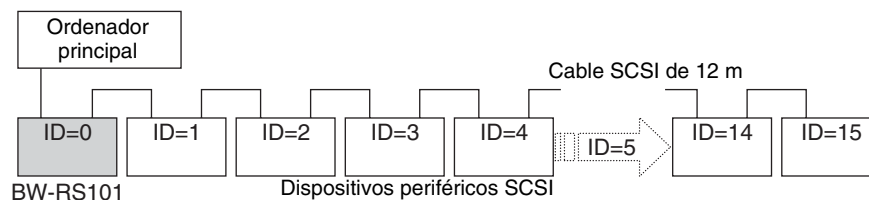
Los modelos BW-RS101 y BW-RU101 son compatibles con dos tipos de discos.

Nombre del disco	Tipo	Capacidad	Diámetro del disco
PDDRW23	Regrabable	23,3 GB	120 mm
PDDWO23	Una sola grabación	23,3 GB	120 mm

Configuración del sistema

Configuración del sistema para la unidad BW-RS101

La unidad BW-RS101 se conecta a un ordenador principal mediante su interfaz SCSI. Se puede conectar un máximo de quince dispositivos periféricos en cadena al bus SCSI. Consulte “Cables SCSI” en la página 11 para obtener más información.



Nota

La unidad BW-RS101 es compatible con configuraciones SCSI de una sola terminación (SE) y de diferencial de bajo voltaje (LVD). Cuando la configuración de una sola cadena es LVD y SE, la velocidad de transferencia se ajusta a las especificaciones de SE.

Configuración del sistema para la unidad BW-RU101

La unidad BW-RU101 se conecta a un ordenador principal a través de su interfaz USB. Puede conectarse un máximo de 127 dispositivos periféricos a un ordenador principal a través del concentrador USB. Para obtener más información, consulte “Cables USB” en la página 12.

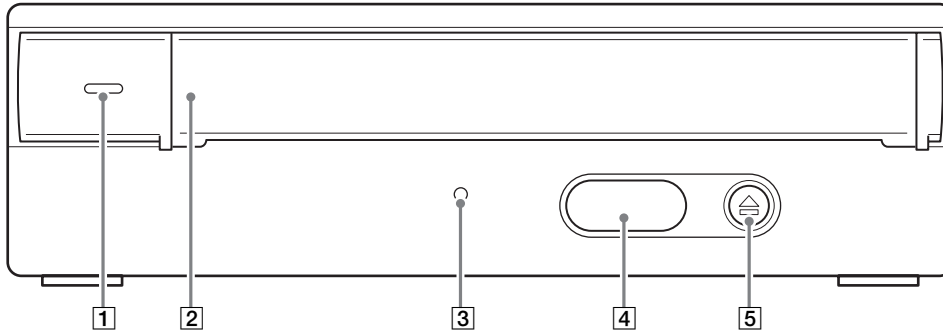
Nota

La unidad BW-RU101 es compatible con Hi-Speed USB (USB 2.0), lo que significa que también es compatible con USB 1.1. Aunque con Hi-Speed USB la velocidad máxima de transferencia sea de 480 Mbps, con USB 1.1 la velocidad de transferencia se ajusta a la especificación de USB 1.1 de un máximo de 12 Mbps.

Ubicación y función de los componentes

En esta sección se describen los componentes de las unidades “Professional Disc for DATA” BW-RS101 y BW-RU101, y se ofrece una descripción general de sus funciones.

Panel frontal de la unidad BW-RS101/BW-RU101



1 Indicador de alimentación

Se ilumina en verde cuando la unidad está encendida.

2 Cubierta de la ranura

Al insertar un disco, abra esta cubierta de la ranura empujándola hacia usted. Cuando haya insertado el disco, cierre la cubierta de la ranura. La cubierta se abre automáticamente cuando expulsa el disco, pero debe cerrarla manualmente. Para obtener más información, consulte “Inserción de un disco” en la página 18.

3 Indicador de ocupado

Alterna entre verde y ámbar cuando la unidad está leyendo o escribiendo datos. No expulse el disco cuando el indicador esté en ámbar.

4 Cubierta del orificio de expulsión de emergencia

Sólo en caso de emergencia, retire la cubierta de este orificio y, a continuación, expulse el disco. Para obtener más información, consulte “Qué hacer si el disco no se expulsa” en la página 22.

5 Botón de expulsión

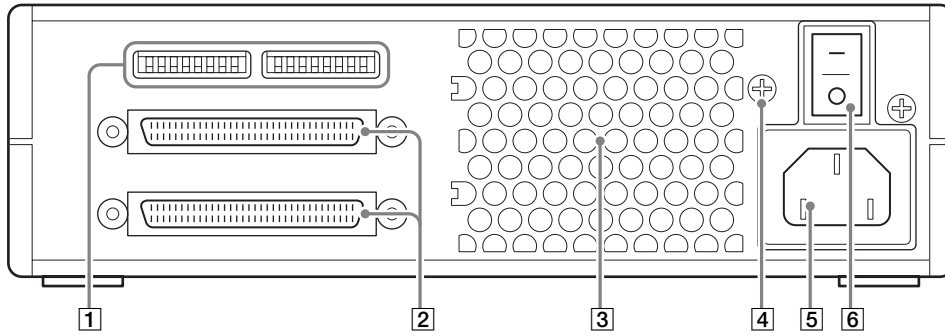
Pulse este botón para expulsar el disco de la unidad. No es posible utilizar el botón de expulsión para expulsar el disco cuando la unidad está apagada.

Nota

Si se utiliza memoria caché de escritura, al pulsar el botón de expulsión se escriben los datos de la memoria de caché en el disco, por lo que la unidad puede tardar en expulsar el disco.



Panel posterior de la unidad BW-RS101



1 Conmutadores de función

Utilice estos conmutadores para ajustar la identificación SCSI y las funciones de la unidad. Consulte “Configuración de las funciones de la unidad BW-RS101” en la página 13 para obtener más información.

2 Conectores SCSI

Conecte los cables SCSI (se venden por separado) a estos conectores para enlazar el ordenador principal con otros dispositivos SCSI.

3 Conducto de aire

El aire se aspira a través del conducto de refrigeración de la unidad.

Nota

Asegúrese de que no bloquea el conducto de aire ni obstruye su flujo.

4 F.GND (terminal de masa)

Conecte los terminales de masa de otros dispositivos a la masa de la unidad.

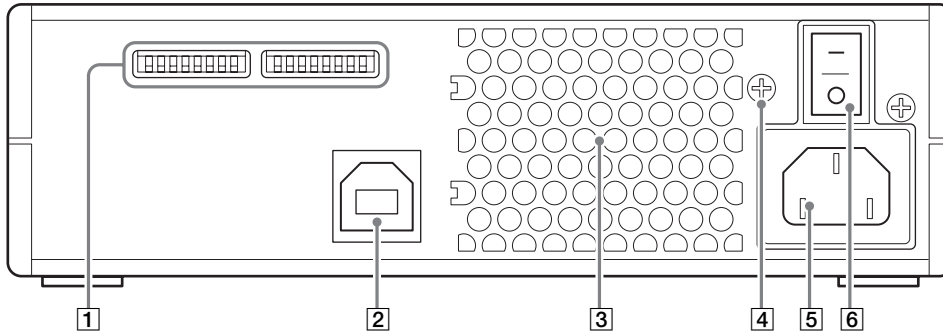
5 Conector AC IN

Conecte el cable de alimentación de ca suministrado a este conector.

6 Interruptor de alimentación

Al pulsar la parte en la que aparece el signo “I”, se enciende la alimentación. Para apagar la alimentación, pulse la parte donde aparece el signo “O”.

Panel posterior de la unidad BW-RU101



1 Conmutadores de función

Utilice estos conmutadores para ajustar las funciones de la unidad. Consulte “Configuración de las funciones de la unidad BW-RU101” en la página 16 para obtener más información.

2 Conector USB

Conecte el cable USB suministrado para enlazar con el ordenador principal.

3 Conducto de aire

El aire se aspira a través del conducto de refrigeración de la unidad.

Nota

Asegúrese de que no bloquea el conducto de aire ni obstruye su flujo.

4 F.GND (terminal de masa)

Conecte los terminales de masa de otros dispositivos a la masa de la unidad.

5 Conector AC IN

Conecte el cable de alimentación de ca suministrado a este conector.

6 Interruptor de alimentación

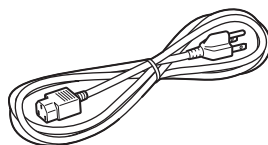
Al pulsar la parte en la que aparece el signo “I”, se enciende la alimentación. Para apagar la alimentación, pulse la parte donde aparece el signo “O”.

Lista de componentes y accesorios

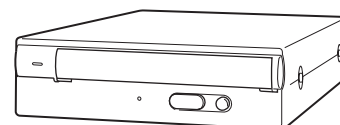
Cuando abra el paquete de la unidad, asegúrese de que estén presentes todos los componentes y accesorios que se indican a continuación. Si existen daños o falta algún accesorio, póngase en contacto con el lugar de adquisición.

Lista de accesorios de la unidad BW-RS101

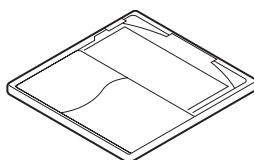
- Cable de alimentación de ca



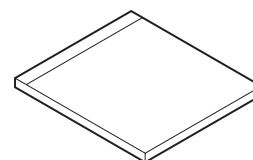
- Unidad "Professional Disc for DATA" BW-RS101



- Disco (PDDRW23)



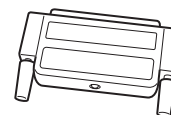
- Utilidad de formateo



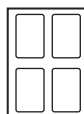
- Guía para un uso seguro (precauciones de seguridad)



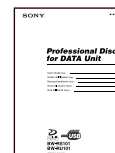
- Terminador LVD/SE



- Lámina de protección

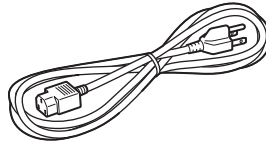


- Guía del usuario (este documento)

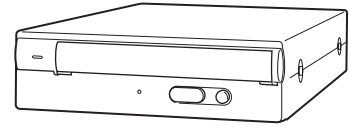


Lista de accesorios de la unidad BW-RU101

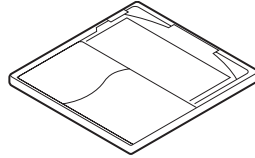
- Cable de alimentación de ca



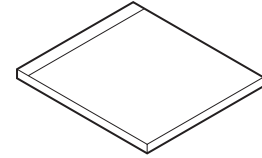
- Unidad "Professional Disc for DATA" BW-RU101



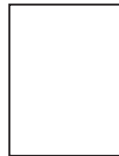
- Disco (PDDRW23)



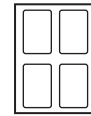
- Utilidad de formateo



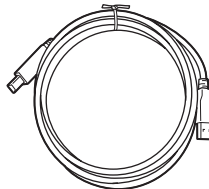
- Guía para un uso seguro (precauciones de seguridad)



- Lámina de protección



- Cable USB 2.0



- Guía del usuario (este documento)

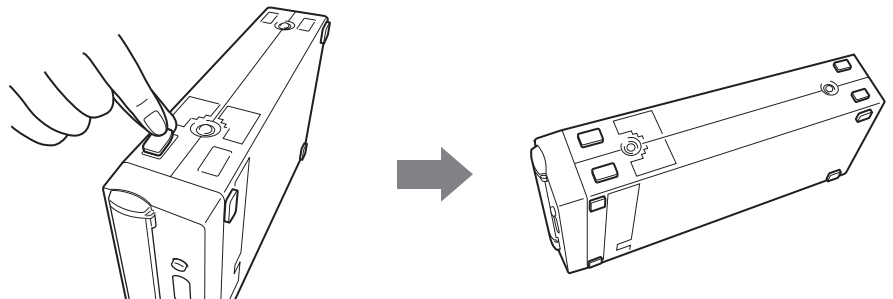


Si utiliza la unidad en posición vertical

Antes de utilizar la unidad, pegue la lámina de protección suministrada en la base de la unidad. De lo contrario, la unidad podría rayarse. Además, si no pega la lámina de protección a la unidad, se pueden provocar fallos de funcionamiento porque la unidad no se mantendrá estable.

Cómo pegar la lámina de protección

Pegue la lámina de protección en las cuatro hendiduras de la base de la unidad.



Conexión de la unidad

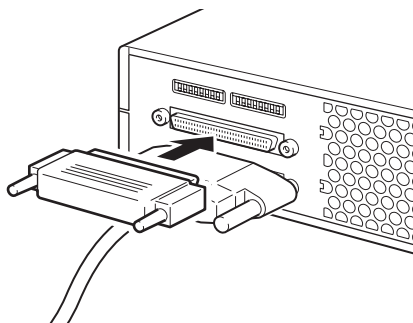
Conexión de la unidad BW-RS101

Puede conectar la unidad a un ordenador principal mediante un bus SCSI que tenga hasta 15 dispositivos conectados en cadena.

Nota

Antes de conectar la unidad, asegúrese de que ésta y los demás dispositivos de la cadena SCSI estén apagados.

- 1 Conecte un cable SCSI a uno de los conectores SCSI de la unidad.
- 2 Para el otro conector SCSI, conecte un cable si desea conectar otro dispositivo o conecte el terminador suministrado si la unidad será el último dispositivo de la cadena SCSI.



- 3 Conecte el cable de alimentación de ca al conector CA IN de la unidad.

Cables SCSI

Puede utilizar un cable plano conductor de 68 señales o un cable trenzado de 34 señales como cable LVD/SE. Para conseguir una velocidad de transferencia alta, la longitud total de los cables SCSI no debe exceder los 6 m en una configuración SE. En una configuración LVD SCSI, los cables no deben exceder los 12 m.

Terminador SCSI

Si la unidad es el último dispositivo de la cadena SCSI, asegúrese de conectar el terminador suministrado o uno que haya adquirido por separado ya que la unidad no dispone de terminador interno. La unidad no funcionará correctamente si no se conecta el terminador adecuado.

Nota

Si utiliza un terminador distinto del que se suministra con la unidad, asegúrese de utilizar solamente uno que cumpla la norma SPI3:ANSI NCITS:336:2000.

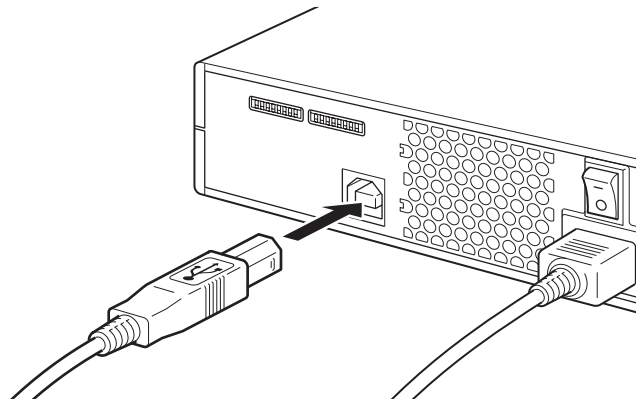
Conexión de la unidad BW-RU101

Conecte la unidad al ordenador principal mediante un cable USB. Puede utilizar un concentrador USB para conectar hasta 127 dispositivos USB. Además, puede conectar y desconectar el cable USB mientras el ordenador principal esté encendido ya que BW-RU101 admite hot plugging.

Nota

Antes de conectar la unidad, asegúrese de que esté apagada.

- 1 Conecte un cable USB al conector USB de la unidad.
- 2 Conecte el cable de alimentación de ca al conector CA IN de la unidad.



Cables USB

Para permitir un funcionamiento estable y una alta velocidad de transferencia, utilice un cable USB con una longitud inferior a 5 metros.

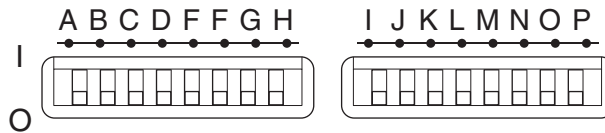
En algunos casos, pueden perderse datos y el sistema puede desestabilizarse si se retira el cable USB, por tanto debe confirmar de antemano los siguientes puntos.

- Los datos guardados en el disco no se abren desde una aplicación o software.
- El indicador BUSY (ocupado) está apagado o encendido en verde.
- El disco se ha expulsado. (Se recomienda apagar la unidad después de expulsar el disco.)

Configuración de las funciones/SCSI ID

Configuración de las funciones de la unidad BW-RS101

Utilice los conmutadores de función A a P del panel posterior de la unidad para ajustar las funciones de la misma y la identificación SCSI según el ordenador principal y el software que utilice. Asegúrese de que la unidad esté apagada antes de modificar la posición de los conmutadores de función.



Conmutador	Función	1	0
A	Alimentación del terminador	Suministro de ALIMENTACIÓN al terminador activado	Suministro de ALIMENTACIÓN al terminador desactivado
B	Forzar CAV	Todas las operaciones se realizan en el modo de búsqueda CAV.	Modo óptimo activado. (Selección CAV/CLV automática)
C	Control de formateo en segundo plano	Modo de formateo en segundo plano activado	Modo de formateo en segundo plano desactivado
D	Reservado*	—	
E	Reservado*		
F	Impedir verificación	No verificar operaciones de escritura	Verificar operaciones de escritura
G	Control de memoria caché de escritura	Memoria caché de escritura desactivada	Memoria caché de escritura activada
H	Tipo de dispositivo	Informe 00H como tipo de dispositivo (dispositivo de acceso directo)	Informe 07H como tipo de dispositivo (dispositivo de memoria óptica)
I	Comprobación de paridad SCSI	Comprobación de paridad SCSI activada	Comprobación de paridad SCSI desactivada
J	Reservado*	—	
K	Reservado*		
L	Reservado*		
M	Identificación 3 de SCSI	Para definir la identificación SCSI, consulte "Configuración de la identificación SCSI de la unidad BW-RS101" en la página 15.	
N	Identificación 2 de SCSI		
O	Identificación 1 de SCSI		
P	Identificación 0 de SCSI		

■ :Ajuste de fábrica

Posición de los conmutadores de función

Nota

- **Reservado***

No ajuste ninguno de los conmutadores reservados en 1. Si se cambia la configuración de los conmutadores reservados podría provocar el fallo de la unidad.

- **Formateo en segundo plano**

Esta unidad está equipada con una función de formateo en segundo plano. Para mejorar la fiabilidad de escritura de datos, se recomienda encarecidamente ejecutar un formateo físico antes de utilizar un disco por primera vez. Si desactiva la función de formateo en segundo plano, podrá iniciar el formateo físico en segundo plano mediante el comando FORMAT. Durante el formateo, la unidad escanea sectores completos del disco para detectar los que presentan anomalías y los registra como sectores defectuosos. La operación se realiza en unos 80 minutos. Si activa dicha función, la unidad inicia el formateo físico automáticamente en segundo plano sin tener que recibir el comando FORMAT. Por lo tanto, durante el formateo el usuario podrá leer y escribir datos de todos modos. La operación se realiza en unos 135 minutos.

Precauciones

- **Precauciones durante el formateo en segundo plano**

Nunca apague la unidad sin asegurarse de que el disco se ha extraído cuando el disco se encuentra en proceso de formateo en segundo plano. Es posible que la unidad no escriba los datos correctamente ni los marque como sectores defectuosos si se apaga dicha unidad sin expulsar el disco durante el formateo en segundo plano. Antes de apagarla, asegúrese de expulsar el disco mediante el comando EJECT o pulsando el botón de expulsión.

- **Impedir verificación**

Si se impide la verificación de escritura, se recomienda encarecidamente utilizar un disco formateado físicamente. Aunque si se desactiva dicha verificación se acelera la transferencia de escritura, es posible que se vea mermada la fiabilidad de la operación. Aunque se desactive la verificación de escritura, si el disco no está formateado físicamente, la unidad fuerza la verificación de todas las operaciones de escritura.

- **Precauciones con la memoria caché de escritura**

La unidad está equipada con una función de memoria caché de escritura. Cuando la función esté activada, antes de desactivar la alimentación de la unidad asegúrese de que todos los datos se han escrito en el disco desde la memoria caché. De lo contrario, éstos se perderán. Antes de desactivar la alimentación de la unidad, expulse el disco ya que éste escribe datos de la memoria caché al disco. Asimismo, aunque la unidad descarga datos de la memoria caché en el disco periódicamente, es posible que se pierdan datos si se produce un fallo en la alimentación.

Configuración de la identificación SCSI de la unidad BW-RS101

Utilice los conmutadores de función M a P para definir la identificación SCSI.

Identificación SCSI	Conmutador de función			
	P (SCSI 0)	O (SCSI 1)	N (SCSI 2)	M (SCSI 3)
0	NO	NO	NO	NO
1	SÍ	NO	NO	NO
2	NO	SÍ	NO	NO
3	SÍ	SÍ	NO	NO
4	NO	NO	SÍ	NO
5	SÍ	NO	SÍ	NO
6	NO	SÍ	SÍ	NO
7	SÍ	SÍ	SÍ	NO
8	NO	NO	NO	SÍ
9	SÍ	NO	NO	SÍ
10	NO	SÍ	NO	SÍ
11	SÍ	SÍ	NO	SÍ
12	NO	NO	SÍ	SÍ
13	SÍ	NO	SÍ	SÍ
14	NO	SÍ	SÍ	SÍ
15	SÍ	SÍ	SÍ	SÍ

Configuración de la identificación SCSI

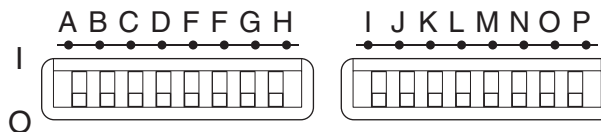
Nota

Seleccione una identificación SCSI que no se haya asignado a ningún otro dispositivo SCSI.



Configuración de las funciones de la unidad BW-RU101

Utilice los conmutadores de función B a H del panel posterior de la unidad para seleccionar las funciones de la unidad según el ordenador principal y el software que utilice. Asegúrese de que la unidad esté apagada antes de modificar la posición de los conmutadores.



Conmutador	Función	1	0
A	Reservado	—	
B	Forzar CAV	Todas las operaciones se realizan en el modo de búsqueda CAV.	Modo óptimo activado. (Selección CAV/CLV automática)
C	Control de formateo en segundo plano	Modo de formateo en segundo plano activado	Modo de formateo en segundo plano desactivado
D	Reservado*	—	
E	Reservado*		
F	Impedir verificación	No verificar operaciones de escritura	Verificar operaciones de escritura
G	Control de memoria caché de escritura	Memoria caché de escritura desactivada	Memoria caché de escritura activada
H	Tipo de dispositivo	Informe 00H como tipo de dispositivo (dispositivo de acceso directo)	Informe 07H como tipo de dispositivo (dispositivo de memoria óptica)
I	Reservado*	—	
J	Reservado*		
K	Reservado*		
L	Reservado*		
M	Reservado*		
N	Reservado*		
O	Reservado*		
P	Reservado*		

 :Ajuste de fábrica

Configuración de los conmutadores de función de la unidad BW-RU101

Nota

- **Reservado***

No ajuste ninguno de los conmutadores reservados en 1. Si se cambia la configuración de los conmutadores reservados podría provocar el fallo de la unidad.

- **Formateo en segundo plano**

Esta unidad está equipada con una función de formateo en segundo plano. Para mejorar la fiabilidad de escritura de datos, se recomienda encarecidamente ejecutar un formateo físico antes de utilizar un disco por primera vez. Si desactiva la función de formateo en segundo plano, podrá iniciar el formateo físico en segundo plano mediante el comando FORMAT. Durante el formateo, la unidad escanea sectores completos del disco para detectar los que presentan anomalías y los registra como sectores defectuosos. La operación se realiza en unos 80 minutos. Si activa dicha función, la unidad inicia el formateo físico automáticamente en segundo plano sin tener que recibir el comando FORMAT. Por lo tanto, durante el formateo el usuario podrá leer y escribir datos de todos modos. La operación se realiza en unos 135 minutos.

Precauciones

- **Precauciones durante el formateo en segundo plano**

Nunca apague la unidad sin asegurarse de que el disco se ha extraído cuando el disco se encuentra en proceso de formateo en segundo plano. Es posible que la unidad no escriba los datos correctamente ni los marque como sectores defectuosos si se apaga dicha unidad sin expulsar el disco durante el formateo en segundo plano. Antes de apagarla, asegúrese de expulsar el disco mediante el comando EJECT o pulsando el botón de expulsión.

- **Impedir verificación**

Si se impide la verificación de escritura, se recomienda encarecidamente utilizar un disco formateado físicamente. Aunque si se desactiva dicha verificación se acelera la transferencia de escritura, es posible que se vea mermada la fiabilidad de la operación. Aunque se desactive la verificación de escritura, si el disco no está formateado físicamente, la unidad fuerza la verificación de todas las operaciones de escritura.

- **Precauciones con la memoria caché de escritura**

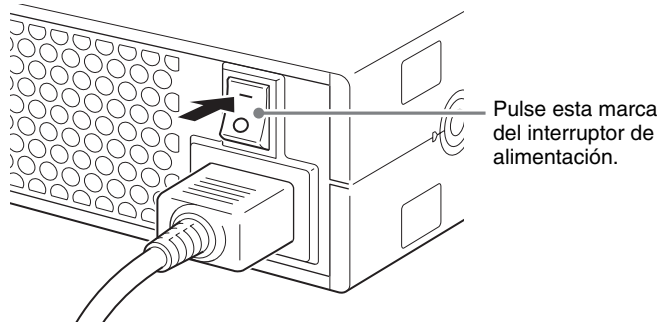
La unidad está equipada con una función de memoria caché de escritura. Cuando la función esté activada, antes de desactivar la alimentación de la unidad asegúrese de que todos los datos se han escrito en el disco desde la memoria caché. De lo contrario, éstos se perderán. Antes de desactivar la alimentación de la unidad, expulse el disco ya que éste escribe datos de la memoria caché al disco. Asimismo, aunque la unidad descarga datos de la memoria caché en el disco periódicamente, es posible que se pierdan datos si se produce un fallo en la alimentación.

Utilización de los discos

Inserción de un disco

- 1 Encienda la unidad.

Pulse el interruptor de alimentación que se encuentra en el panel posterior de la unidad.



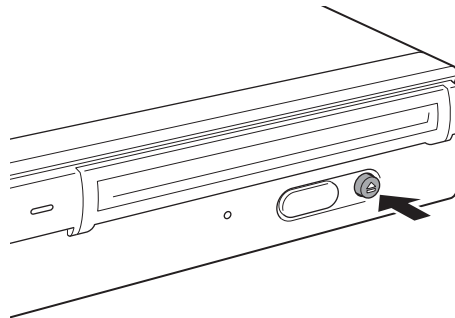
- 2 Inicie el ordenador principal.

Consulte la documentación del ordenador principal para obtener los detalles.

- 3 Abra la cubierta de la ranura.

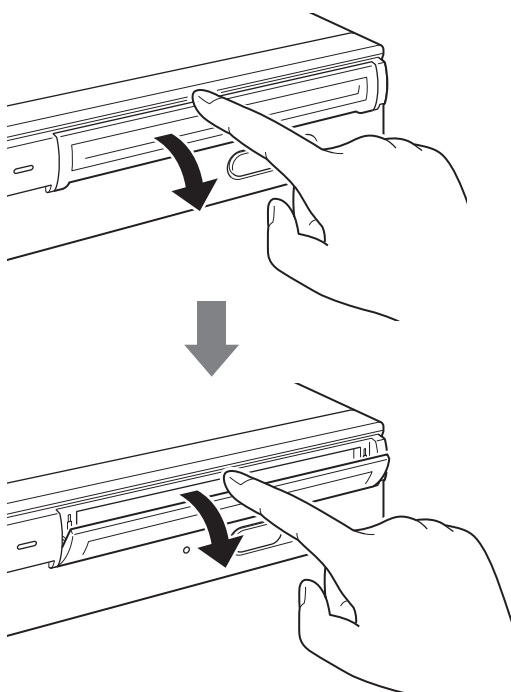
Apertura automática

Pulse el botón de expulsión para abrir la cubierta de la ranura.



Apertura manual

Abra la cubierta de la ranura tirando de ella hacia usted, como se muestra en la ilustración.

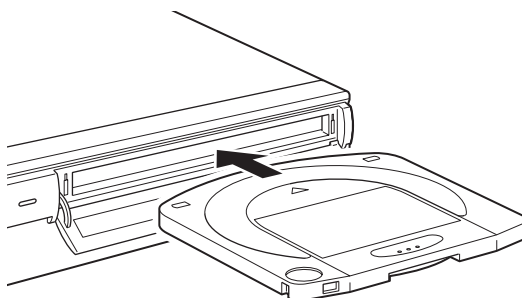


Nota

Abra suavemente la cubierta de la ranura sin ejercer una fuerza excesiva.

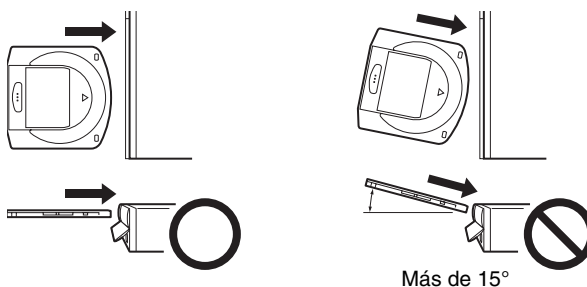
4 Inserte un disco.

Inserte el disco en la dirección indicada.



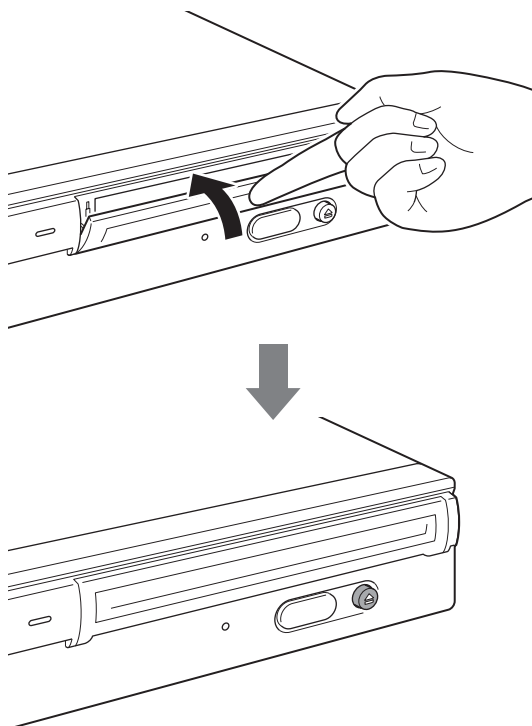
Nota

Si inserta el disco en la dirección equivocada, puede provocar daños en el mismo o en la unidad.



5 Cierre la cubierta de la ranura.

Cuando el disco esté completamente insertado, cierre la cubierta de la ranura.



Nota

Para evitar que entre suciedad o polvo en la unidad, asegúrese de mantener la cubierta de la ranura cerrada mientras no inserte o expulse un disco.

6 Leer y/o escribir datos en el disco.

Utilice comandos SCSI o software del ordenador principal para leer y/o escribir datos en el disco. El indicador BUSY (ocupado) está iluminado mientras se leen o se escriben datos.

Nota

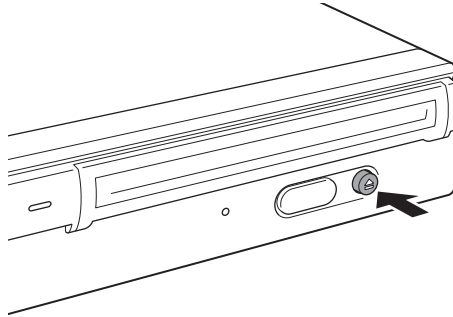
Para obtener más información, consulte las especificaciones SCSI de "Professional Disc for DATA" o la guía de instalación de "Professional Disc for DATA" que está disponible en el sitio Web de Sony en la dirección <http://www.sony.net/ProDATA/>.

Expulsión de un disco

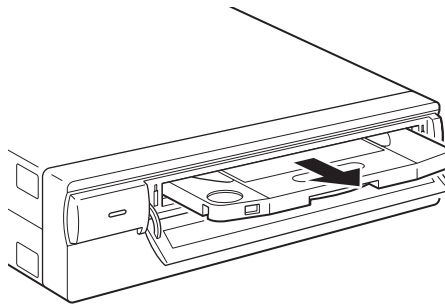
Nota

Aunque haya finalizado la escritura de datos en el ordenador principal, el indicador de ocupado puede iluminarse en naranja para indicar que se están escribiendo datos en la unidad. En este caso, no pulse el botón de expulsión.

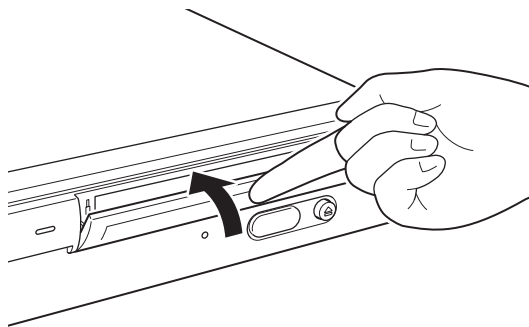
- 1 Para expulsar el disco, utilice el comando EJECT o pulse el botón de expulsión.



La unidad abre automáticamente la cubierta de la ranura al expulsar el disco.



- 2 Cierre la cubierta de la ranura con el dedo después de extraer el disco de la unidad.

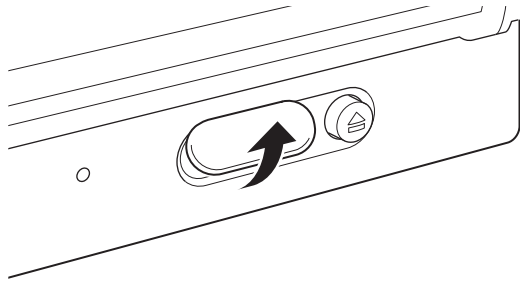


Qué hacer si el disco no se expulsa

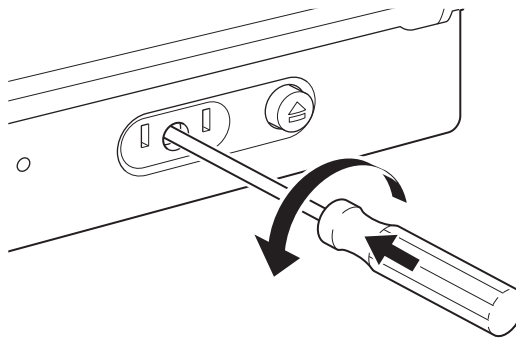
Orificio de expulsión de emergencia

Si no es posible expulsar el disco mediante el botón de expulsión o el comando EJECT, apague la unidad y, a continuación, utilice un destornillador de precisión Phillips en el orificio de expulsión de emergencia para expulsar el disco.

- 1 Retire la cubierta del orificio de expulsión de emergencia.



- 2 Inserte un destornillador de precisión Phillips (de 5 mm de diámetro) en el orificio de expulsión de emergencia y gírelo en sentido contrario a las agujas del reloj a la vez que presiona. (Para expulsar el disco, debe girar el destornillador unas 200 veces.)



Precauciones

Si le resulta difícil girarlo, no ejerza una fuerza excesiva. Si lo hace, podría provocar daños en la unidad o en el disco. Si no es posible expulsar el disco mediante el procedimiento anterior, póngase en contacto con el distribuidor que le vendió la unidad para obtener asistencia técnica.



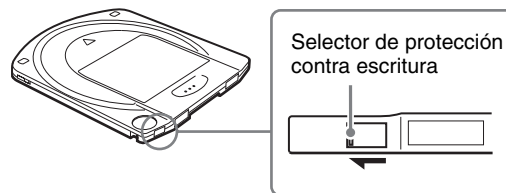
Acerca del manejo de los discos

Cómo proteger los datos del disco

- No deje caer el cartucho de disco ni lo someta a golpes violentos o vibraciones.
- No desmonte el cartucho de disco. Se trata de un componente de precisión que se ha ajustado cuidadosamente antes de su envío.
- No abra manualmente el cierre del cartucho de disco ni toque el interior del disco. El cierre está diseñado para que se abra automáticamente al insertar el cartucho de disco en los dispositivos.
- No utilice el cartucho de disco bajo condiciones ambientales de alta humedad o grandes cambios de temperatura. La condensación puede imposibilitar la lectura o la escritura de datos.
- Guarde el cartucho de disco en su caja.
- No deje el cartucho de disco expuesto a la luz directa del sol ni a calor excesivo como, por ejemplo, en el salpicadero o la guantera del automóvil.
- No guarde el cartucho de disco bajo las siguientes condiciones:
 - Lugar expuesto a polvo y suciedad excesivos.
 - Lugar expuesto a la luz directa del sol.
 - Cerca de fuentes de calor.
 - Lugar sometido a alta humedad.

Selector de protección contra escritura

Los cartuchos de datos van equipados con un selector de protección contra escritura para evitar la supresión accidental de los datos del cartucho de disco o la escritura involuntaria de datos no deseados. Deslice el selector en la dirección de la flecha, tal como se ilustra más abajo. Aparecerá una superficie de color rojo en lugar del selector, que indica que el cartucho está protegido contra escritura. Para desactivar la protección, vuelva a colocar el selector en su posición original.



Consulte la descripción del disco.

Limpieza de los discos

La unidad y los discos están diseñados para resistir al polvo y otros contaminantes ambientales. Por lo tanto, no hay necesidad de limpiar los discos. La utilización de un dispositivo de limpieza de discos puede dañar la superficie de estos últimos.

Qué hacer si se ha insertado un disco mientras la unidad está apagada

Un disco puede bloquearse si se inserta después de apagar la unidad. Si un disco se bloquea, vuelva a encender la unidad y expulse el disco utilizando el comando EJECT o pulsando el botón de expulsión una vez el disco esté completamente insertado en la unidad.

Precauciones de uso de la unidad

Fuente de alimentación

- Asegúrese de utilizar ca de 100 a 240 V.
- No comparta la toma de corriente de ca con otro equipo que consuma energía como, por ejemplo, copiadoras o trituradoras.

Manejo del cable de alimentación

- Procure no colocar ni dejar caer ningún objeto pesado sobre el cable de alimentación, ni provocar daños en el mismo. Es peligroso utilizar un cable dañado.
- Asegúrese de sujetar el enchufe cuando desconecte el cable de alimentación de la toma de corriente. Si tira del cable puede dañarlo.
- Si no va a utilizar la unidad durante un período de tiempo prolongado, desconecte el cable de alimentación de la toma de corriente.

Ubicación

La unidad debe colocarse horizontal o verticalmente, sobre una superficie plana y estable. La inclinación de montaje máxima permitida es de 10° para la superficie que sirva de base.

Requisitos de la ubicación

Al seleccionar un lugar para instalar o almacenar la unidad, debe tener en cuenta lo siguiente.

Evite las siguientes condiciones:

- Alta humedad
- Altas temperaturas
- Luz del sol directa
- Polvo
- Vibraciones fuertes
- Grandes cambios de temperatura

No someta la unidad a golpes ni a vibraciones

La unidad puede dañarse si se cae o se golpea.

Ventilación

Deberá tenerse cuidado para evitar que los mecanismos interiores de la unidad se calienten excesivamente. No tape ni bloquee los orificios de ventilación ni coloque la unidad en lugares con ventilación escasa. La unidad puede dejar de funcionar si la temperatura interna aumenta demasiado.

Traslado de la unidad

Asegúrese de extraer el cartucho de disco cuando no utilice la unidad. No la mueva ni la transporte con ningún cartucho de disco en el interior. Durante el funcionamiento, el disco gira a gran velocidad. Si se mueve la unidad en ese momento, el giro del disco podría alterarse y éste podría dañarse. Quite siempre el cartucho de disco antes de mover la unidad.

Condensación

Evite exponer la unidad a cambios bruscos de temperatura. Si, por ejemplo, la unidad se traslada repentinamente de un lugar muy frío a otro caliente, es posible que se forme humedad debida a la condensación en el interior de la unidad a causa del aumento rápido de la temperatura ambiental. Si este cambio repentino en la temperatura no puede evitarse, espere una hora como mínimo antes de utilizar la unidad. El disco y la unidad pueden estropearse si se inserta un cartucho de disco en el mecanismo cuando hay humedad en dicha unidad. Retire inmediatamente el cartucho de disco si sospecha de algún problema de condensación. La humedad debería desaparecer rápidamente si se deja la unidad encendida sin ningún disco insertado.

Alarma de temperatura

Cuando la temperatura de la unidad exceda el nivel preajustado, el indicador BUSY empezará a parpadear a intervalos de 2 segundos, independientemente de si se está accediendo a un disco, y la unidad dejará de funcionar. Si esto ocurre, deberá ventilar mejor el lugar en que se encuentra la unidad. Si la unidad sigue sin funcionar, desenchúfela y póngase en contacto con su distribuidor.

Limpieza de la unidad

No utilice dispositivos de limpieza de lentes. El mecanismo de cepillo de limpieza de lentes interno asegura una limpieza periódica y automática de la lente lectora. Por lo tanto, no es necesario limpiar la lente de la unidad. La utilización de dispositivos de limpieza de lentes puede dañarla. No utilice productos de limpieza para limpiar los discos o la lente de la unidad.

Mantenimiento

Limpie la caja con un paño seco y suave, o con un paño suave ligeramente humedecido en una solución de detergente poco concentrada. No utilice ningún tipo de disolvente, como alcohol o bencina, ya que podría estropear el acabado.

Si se produce algún problema

Si se produce algún problema, desconecte la alimentación y desenchufe la unidad. Seguidamente, póngase en contacto con su distribuidor.

Especificaciones

Nota

Estas especificaciones pueden estar sujetas a cambios sin previo aviso.

Especificaciones de los discos

Los modelos BW-RS101 y BW-RU101 son compatibles con dos tipos de discos.

Capacidad de la zona de datos	23,3 GB/disco (2.048 bytes/sector)
Velocidad de transferencia de datos de usuario	
Escritura continua	9 MB/s (CLV)
	De 4,5 a 9,0 MB/s (CAV)
Lectura continua	10,8 MB/s (CLV)
	De 4,5 a 10,8 MB/s (CAV)

Especificaciones

Rendimiento

Velocidad de rotación del disco	
Lectura continua CLV (interna)	5.042 min ⁻¹ (rpm)
Lectura continua CLV (externa)	2.086 min ⁻¹ (rpm)
Escritura continua CLV (interna)	4.201 min ⁻¹ (rpm)
Escritura continua CLV (externa)	1.738 min ⁻¹ (rpm)
Lectura y escritura continuas CAV	2.100 min ⁻¹ (rpm)
Tiempo de búsqueda	
1/3 de trazo	320 ms (Escritura continua CLV)
	110 ms (CAV)
Trazo completo	900 ms (Escritura continua CLV)
	200 ms (CAV)

Especificaciones del bloque del controlador

Interfaz del ordenador principal	
BW-RS101	Ultra SCSI 160 LVD/SE Interfaz paralelo SCSI 3 (SPI-3) [ANSI NCITS.336:2000]
BW-RU101	Hi-Speed USB (USB 2.0)
Velocidad de transferencia de datos en ráfaga	
BW-RS101	160 MB/s síncrona (máximo)
BW-RU101	480 Mbps (máximo)
Capacidad de memoria de búfer	
	16 MB

Especificaciones del diodo láser

Tipo	Láser semiconductor (GaN)
Potencia de salida	35 mW (CW), 65 mW (impulso)
Longitud de onda	De 403 a 410 nm

Especificaciones ambientales

Temperatura de funcionamiento	De +5 a +40 °C
Temperatura de almacenamiento	De -30 a +60 °C
Gradiente de temperatura máxima	+10 °C/h
Humedad de funcionamiento	Del +10% al +90% HR, sin condensación
Humedad de almacenamiento	Del +5% al +90% HR, sin condensación
Orientación de montaje	Horizontal o vertical
Inclinación de montaje	Inferior a ±10°

Especificaciones mecánicas

Suministro eléctrico	De 100 a 240 V ca, 50/60 Hz
Consumo eléctrico	De 0,35 a 0,50 A (máximo)
Dimensiones (An x Al x Prof)	199 x 59 x 306 mm (aproximadamente)
Peso	4,0 kg (aproximadamente)

Norme di sicurezza

Precauzioni

Per scollegare l'alimentazione, è necessario utilizzare le apposite spine elettriche del dispositivo. Verificare che le prese elettriche siano installate nei pressi del dispositivo e che siano facilmente accessibili.

Trattamento del dispositivo elettrico od elettronico a fine vita (Applicabile in tutti i paesi dell'Unione Europea e in quelli con sistema di raccolta differenziata)



Questo simbolo sul prodotto o sulla confezione indica che il prodotto non deve essere considerato come un normale rifiuto domestico, ma deve invece essere consegnato ad un punto di raccolta appropriato per il riciclo di apparecchi elettrici ed elettronici.

Assicurandovi che questo prodotto sia smaltito correttamente, voi contribuirete a prevenire potenziali conseguenze negative per l'ambiente e per la salute che potrebbero altrimenti essere causate dal suo smaltimento inadeguato. Il riciclaggio dei materiali aiuta a conservare le risorse naturali. Per informazioni più dettagliate circa il riciclaggio di questo prodotto, potete contattare l'ufficio comunale, il servizio locale di smaltimento rifiuti oppure il negozio dove l'avete acquistato.



Il logo "Professional Disc for DATA" e "Professional Disc for DATA" sono marchi di Sony Corporation.

- Il fabbricante non si assume alcuna responsabilità per perdite dovute all'anormale funzionamento o all'uso di questo apparecchio.
- Il fabbricante non garantisce l'integrità dei dati memorizzati in questo dispositivo. Per salvaguardare la sicurezza di dati importanti, si consiglia la produzione frequente di copie di scorta.
- La riproduzione anche parziale di questo manuale è proibita.

Sommario

Norme di sicurezza	2
---------------------------------	----------

Chapter 1 *Introduzione*

Descrizione generale	4
Caratteristiche	4
Dischi compatibili	4
Configurazione di sistema	5
Configurazione di sistema di BW-RS101	5
Configurazione di sistema di BW-RU101	5
Posizione e funzione delle parti	6
Pannello anteriore di BW-RS101/BW-RU101	6
Pannello posteriore di BW-RS101	7
Pannello posteriore di BW-RU101	8

Chapter 2 *Guida introduttiva*

Elenco componenti e accessori	9
Elenco accessori per BW-RS101	9
Elenco accessori per BW-RU101	10
Utilizzo dell'unità in posizione verticale	10
Collegamento dell'unità	11
Collegamento del modello BW-RS101.....	11
Collegamento del modello BW-RU101	12
Funzioni di impostazione/ID SCSI	13
Impostazione delle funzioni di BW-RS101	13
Impostazione delle funzioni di BW-RU101.....	16
Utilizzo dei dischi	18
Inserimento di un disco	18
Espulsione di un disco.....	21
Se la cartuccia disco non viene espulsa	22
Uso dei dischi	23
Protezione dei dati su disco.....	23

Chapter 3 *Precauzioni per l'uso*

Precauzioni per l'uso dell'unità	24
---	-----------

Chapter 4 *Specifiche*

Specifiche	26
Specifiche dei dischi	26
Specifiche	26

Descrizione generale

Caratteristiche

L'unità Sony BW-RS101/BW-RU101 "Professional Disc for DATA" possiede le seguenti caratteristiche.

- L'unità disco ottica esterna "Professional Disc for DATA" utilizza un laser blu-viola a onde corte con una lunghezza d'onda pari a 405 nm.
- La lente del potente obiettivo utilizzata per dirigere il raggio laser possiede un'apertura numerica pari a 0,85, con una spaziatura tra le tracce di soli 0.32 μ m. Questo consente di scrivere fino a 23,3 GB di dati su un lato di un disco.
- Lo strato di copertura di 0,1 mm garantisce un'elevata tolleranza di inclinazione.
- Lo spessore complessivo dei dischi da 120 mm è di 1,2 mm e lo strato di registrazione è caratterizzato da uno strato di copertura di soli 0,1 mm di spessore. Questo incrementa considerevolmente il margine di errore quando il disco si inclina o si piega. La tolleranza di inclinazione è quindi sufficiente ad aumentare l'affidabilità per le operazioni di lettura/scrittura.
- Il BW-RS101 utilizza SCSI-3 (Ultra 160 LVD/SE SCSI).
- Il BW-RU101 utilizza Hi-Speed USB (USB 2.0).
- Il tempo di ricerca in modalità CAV è di 110 ms (1/3 stroke) o 200 ms (full stroke).
- In modalità CLV, il motore spindle ad alta velocità consente una velocità di trasferimento dati di 9 MB/s in scrittura e 10,8 MB/s in lettura.
- In modalità CAV, il motore spindle ad alta velocità consente una velocità di trasferimento dati da 4,5 a 9 MB/s in scrittura e da 4,5 a 10,8 MB/s in lettura.

Dischi compatibili

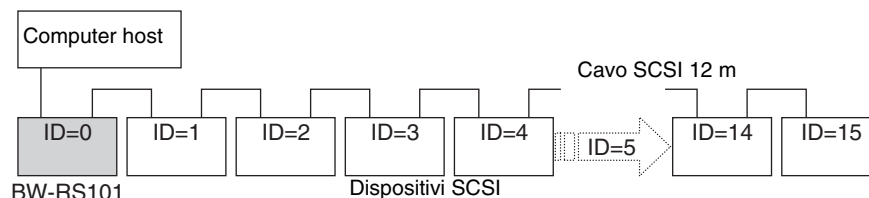
I modelli BW-RS101 e BW-RU101 sono compatibili con due tipi di disco.

Nome disco	Tipo	Capacità	Diametro disco
PDDRW23	Riscrivibile	23,3 GB	120 mm
PDDWO23	Scrivibile una volta	23,3 GB	120 mm

Configurazione di sistema

Configurazione di sistema di BW-RS101

BW-RS101 è connesso a un computer host mediante la relativa interfaccia SCSI. Al bus SCSI è possibile collegare fino a quindici dispositivi in configurazione daisy chain. Per informazioni dettagliate, consultare “Cavi SCSI” a pagina 11.



Nota

BW-RS101 supporta configurazioni SCSI SE (Single-Ended) e LVD (Low-Voltage Differential). Quando una sola daisy chain è caratterizzata da una configurazione di tipo sia LVD che SE, la velocità di trasferimento è conforme alle specifiche SE.

Configurazione di sistema di BW-RU101

BW-RU101 è connesso a un computer host mediante la relativa interfaccia USB. Mediante un hub USB è possibile collegare a un computer host fino a 127 dispositivi. Per informazioni dettagliate, consultare “Cavi USB” a pagina 12.

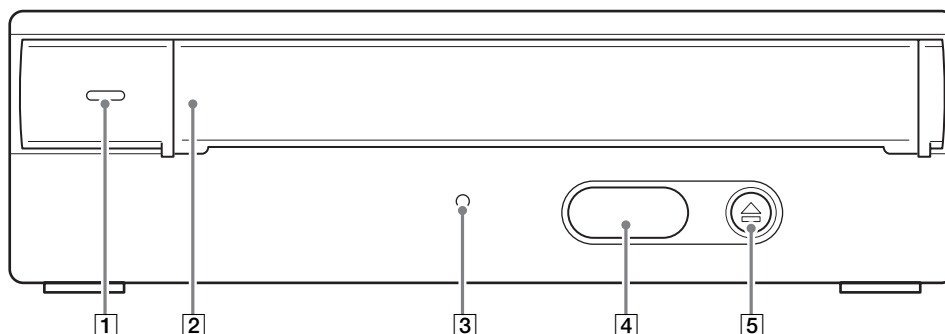
Nota

BW-RU101 è conforme a Hi-Speed USB (USB 2.0), che è conforme anche a USB 1.1. Sebbene con Hi-Speed USB la velocità di trasferimento massima sia di 480 Mbps, con USB 1.1 tale velocità risulta conforme alle specifiche USB 1.1, che prevedono un massimo di 12 Mbps.

Posizione e funzione delle parti

Questa sezione descrive le parti delle unità “Professional Disc for DATA” BW-RS101 e BW-RU101 e fornisce una descrizione generale delle relative funzioni.

Pannello anteriore di BW-RS101/BW-RU101



1 Indicatore di alimentazione

Se l'unità è accesa, si illumina di luce verde.

2 Sportello dell'alloggiamento

Per inserire un disco, aprire lo sportello dell'alloggiamento tirandolo verso di sé. Dopo aver inserito il disco, chiudere lo sportello. Quando il disco viene espulso, lo sportello dell'alloggiamento si apre automaticamente, ma deve essere richiuso manualmente. Per informazioni dettagliate, consultare la sezione “Inserimento di un disco” a pagina 18.

3 Indicatore di unità occupata

Si illumina alternativamente di verde e di giallo quando l'unità legge o scrive i dati. Non estrarre il disco quando l'indicatore è giallo.

4 Coperchio del foro per l'espulsione di emergenza

Solo in caso di emergenza, rimuovere questo coperchio ed estrarre il disco. Per informazioni dettagliate, consultare la sezione “Se la cartuccia disco non viene espulsa” a pagina 22.

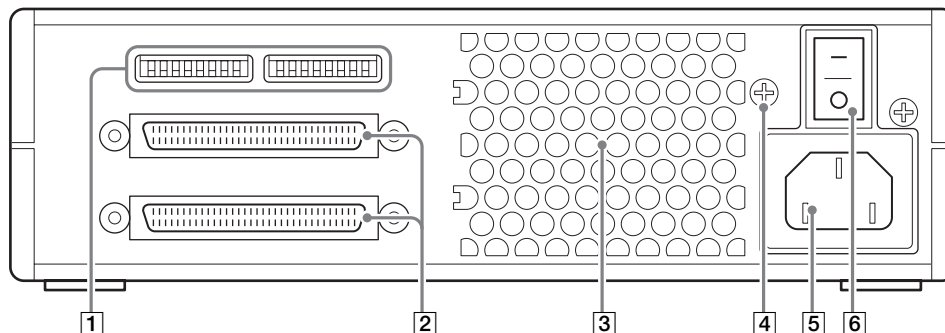
5 Tasto di espulsione

Il tasto di espulsione non può essere utilizzato per estrarre il disco quando l'unità è spenta. Il tasto di espulsione non può essere utilizzato per estrarre la cartuccia quando l'unità è spenta.

Nota

Se si utilizza la memoria cache di scrittura, l'espulsione del disco può richiedere tempo, perché la pressione del tasto di espulsione attiva la scrittura su disco dei dati presenti nella memoria cache.

Pannello posteriore di BW-RS101



1 Interruttori di funzione

Utilizzare questi interruttori per impostare l'ID SCSI e le funzioni dell'unità. Per informazioni dettagliate, consultare "Impostazione delle funzioni di BW-RS101" a pagina 13.

2 Connettori SCSI

Collegare a questi connettori i cavi SCSI (in vendita separatamente) tra il computer host e gli altri dispositivi SCSI.

3 Condotto aria

L'aria viene aspirata attraverso il condotto per raffreddare l'unità.

Nota

Accertarsi di non bloccare il condotto e di non ostruire il flusso dell'aria.

4 Terminale F.GND (messa a terra)

Collegare i terminali di messa a terra di altri dispositivi alla massa del telaio dell'unità.

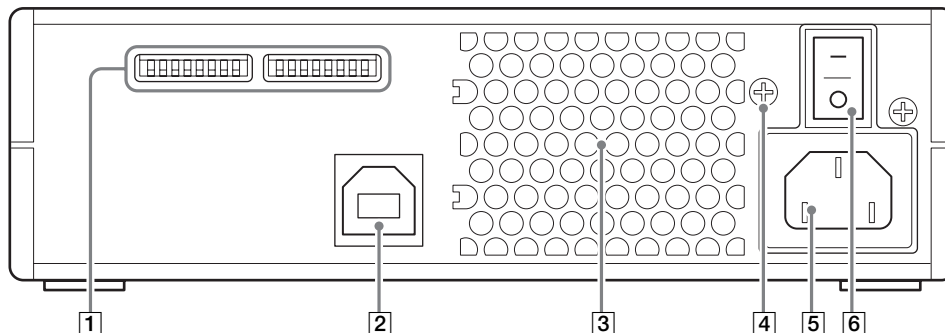
5 Connettore di alimentazione

Collegare a questa presa il cavo di alimentazione in dotazione.

6 Tasto di accensione

Premere il lato "I" per accendere l'unità. Per spegnerla, premere invece il lato "O".

Pannello posteriore di BW-RU101



1 Interruttori di funzione

Utilizzare questi interruttori per impostare le funzioni dell'unità. Per informazioni dettagliate, consultare "Impostazione delle funzioni di BW-RU101" a pagina 16.

2 Connettore USB

Connettere il cavo USB in dotazione per collegare il computer host.

3 Condotta aria

L'aria viene aspirata attraverso il condotto per raffreddare l'unità.

Nota

Accertarsi di non bloccare il condotto e di non ostruire il flusso dell'aria.

4 Terminale F.GND (messa a terra)

Collegare i terminali di messa a terra di altri dispositivi alla massa del telaio dell'unità.

5 Connettore di alimentazione

Collegare a questa presa il cavo di alimentazione in dotazione.

6 Tasto di accensione

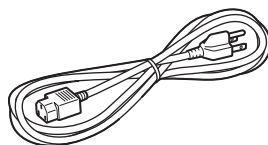
Premere il lato "I" per accendere l'unità. Per spegnerla, premere invece il lato "O".

Elenco componenti e accessori

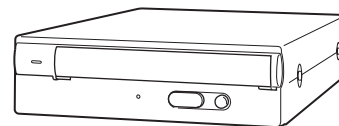
Dopo aver aperto l'imballaggio, verificare che siano presenti tutti i componenti e gli accessori elencati di seguito. Se alcuni componenti risultassero mancanti o danneggiati, contattare il rivenditore presso cui è stato effettuato l'acquisto.

Elenco accessori per BW-RS101

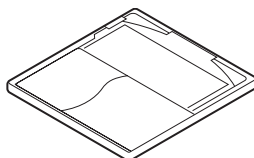
- Cavo di alimentazione



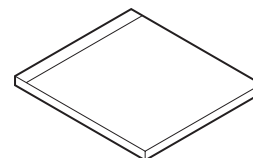
- Unità "Professional Disc for DATA" BW-RS101



- Disco (PDDRW23)



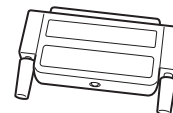
- Utility di formattazione



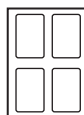
- Guida all'uso (norme di sicurezza)



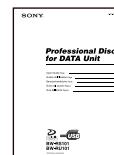
- Terminatore LVD/SE



- Strato protettivo

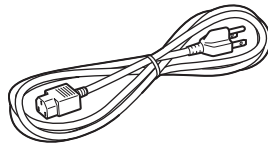


- Istruzioni per l'uso (questo manuale)

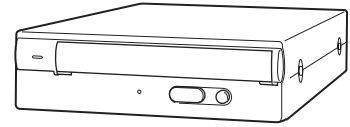


Elenco accessori per BW-RU101

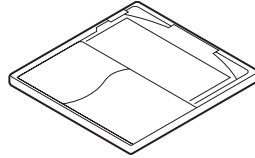
- Cavo di alimentazione



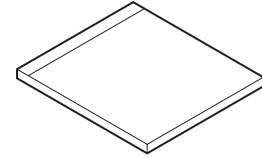
- Unità "Professional Disc for DATA" BW-RU101



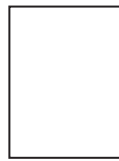
- Disco (PDDRW23)



- Utility di formattazione



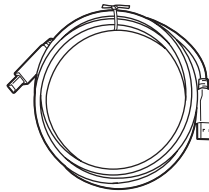
- Guida all'uso (norme di sicurezza)



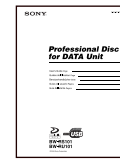
- Strato protettivo



- Cavo USB 2.0



- Istruzioni per l'uso (questo manuale)

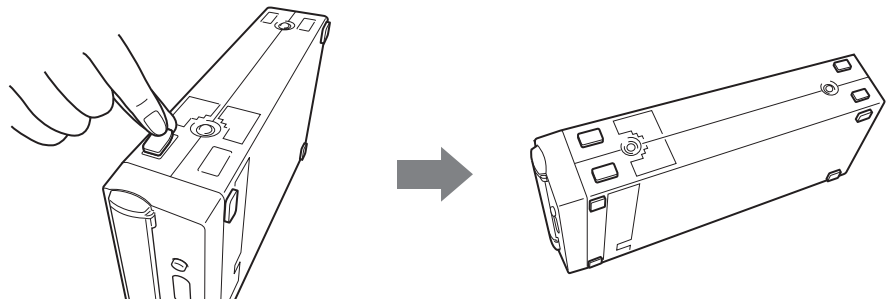


Utilizzo dell'unità in posizione verticale

Prima di utilizzare l'unità, applicare sulla base lo strato protettivo fornito, per evitare che l'unità si graffi. La mancata applicazione di tale strato potrebbe inoltre provocare un malfunzionamento dell'unità causato da un livello di stabilità insufficiente.

Applicazione dello strato protettivo

Applicare lo strato protettivo alle quattro rientranze presenti sulla base dell'unità.



Collegamento dell'unità

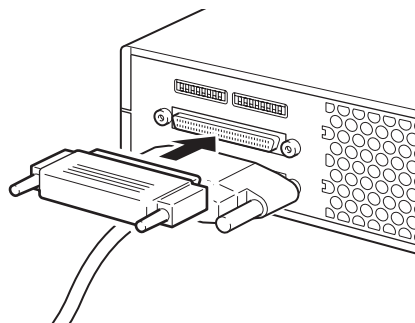
Collegamento del modello BW-RS101

Tramite un bus SCSI è possibile collegare l'unità a un computer host a cui sono collegati fino a 15 dispositivi in configurazione daisy chain.

Nota

Prima di collegare l'unità, verificare che questa e tutti gli altri dispositivi della catena SCSI siano spenti.

- 1 Collegare un cavo SCSI a uno dei connettori SCSI dell'unità.
- 2 All'altro connettore SCSI collegare un cavo, se si desidera connettere ulteriori dispositivi, o il terminatore fornito, se l'unità è l'ultimo dispositivo della configurazione daisy chain SCSI.



- 3 Collegare il cavo di alimentazione al corrispondente connettore dell'unità.

Cavi SCSI

Come cavo LVD/SE è possibile utilizzare un conduttore a 68 segnali, un cavo piatto o un cavo ritorto a 34 segnali. Per ottenere una velocità di trasferimento elevata, in una configurazione SE la lunghezza totale dei cavi SCSI non deve superare i 6 m. In una configurazione LVD SCSI, i cavi possono invece raggiungere un massimo di 12 m.

Terminatore SCSI

Se l'unità è l'ultimo dispositivo della configurazione daisy chain SCSI, accertarsi di collegare il terminatore fornito o un terminatore acquistato separatamente, perché l'unità non dispone di un terminatore interno. Se all'unità non viene collegato il terminatore appropriato, l'unità non funziona correttamente.

Nota

Se si utilizza un terminatore diverso da quello fornito con l'unità, scegliere solo terminatori conformi allo standard SPI3:ANSI NCITS:336:2000.

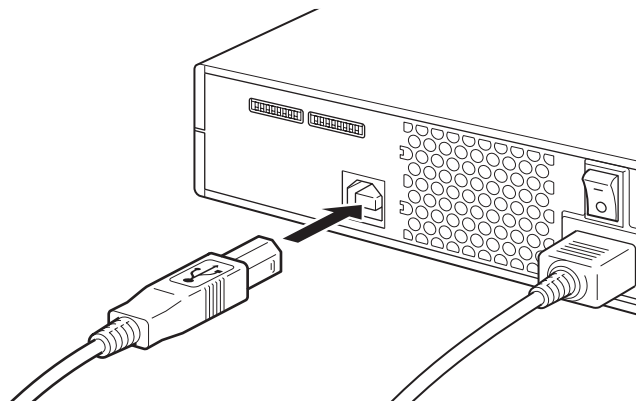
Collegamento del modello BW-RU101

Collegare l'unità al computer host con un cavo USB. Utilizzando un hub USB, è possibile collegare fino a 127 dispositivi USB. Il cavo USB può inoltre essere collegato e scollegato anche quando il computer host è in funzione, poiché BW-RU101 supporta la sostituzione a caldo.

Nota

Prima di collegare l'unità, verificare che questa sia spenta.

- 1 Collegare un cavo USB al connettore USB dell'unità.
- 2 Collegare il cavo di alimentazione al corrispondente connettore dell'unità.



Cavi USB

Per ottenere stabilità di funzionamento e una velocità di trasferimento elevata, utilizzare un cavo USB di lunghezza inferiore a 5 metri.

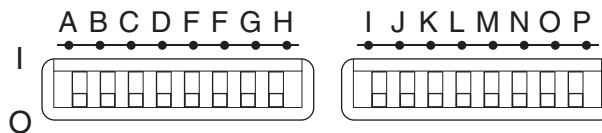
Se si rimuove il cavo USB, è possibile che in alcuni casi i dati si perdano e che il sistema diventi instabile. Di conseguenza, prima di eseguire questa operazione è consigliabile verificare quanto segue.

- I dati salvati nel disco non sono correntemente utilizzati da applicazioni o da software aperti.
- L'indicatore di unità occupata è spento o illuminato di verde.
- Il disco è stato estratto (spegnere l'unità solo dopo aver estratto il disco).

Funzioni di impostazione/ID SCSI

Impostazione delle funzioni di BW-RS101

Utilizzare gli interruttori di funzione da A a P presenti sul pannello posteriore dell'unità per impostare le relative funzioni e l'ID SCSI in base al computer host e al software in uso. Prima di modificare le impostazioni degli interruttori di funzione, verificare che l'unità sia spenta.



Interruttore	Funzione	1	0
A	Alimentazione terminatore	Fornisce ALIMENTAZIONE al terminatore attivato	Fornisce ALIMENTAZIONE al terminatore non attivato
B	CAV forzata	Tutte le operazioni sono eseguite in modalità di ricerca CAV.	Modalità di qualità attivata (selezione automatica di CAV/CLV)
C	Controllo della formattazione in background	Modalità di formattazione in background attivata	Modalità di formattazione in background non attivata
D	Dedicato*	—	
E	Dedicato*		
F	Verifica bloccata	Non verifica le operazioni di scritture	Verifica le operazioni di scrittura
G	Controllo scrittura su cache	Scrittura su cache non attivata.	Scrittura su cache attivata.
H	Tipo dispositivo	Segnala 00H come tipo di dispositivo (dispositivo ad accesso diretto)	Segnala 07H come tipo di dispositivo (dispositivo di memoria ottico)
I	Controllo parità SCSI	Controllo parità SCSI attivato	Controllo parità SCSI non attivato
J	Dedicato*	—	
K	Dedicato*		
L	Dedicato*		
M	ID SCSI 3	Per impostare l'ID SCSI, consultare "BW-RS101 Impostazione dell'ID SCSI" a pagina 15.	
N	ID SCSI 2		
O	ID SCSI 1		
P	ID SCSI 0		

■ :Regolazione di fabbrica

Impostazioni degli interruttori di funzione

Nota

- **Dedicato***

Evitare di impostare su 1 gli interruttori dedicati, perché la modifica di tale impostazione può causare danni all'unità.

- **Formattazione in background**

Questa unità è dotata di una funzione che consente la formattazione in background. Per aumentare l'affidabilità della scrittura dei dati, è consigliabile eseguire una formattazione fisica prima di registrare un qualsiasi disco non utilizzato. Se si disattiva la funzione di formattazione in background, è possibile avviare la formattazione fisica in primo piano inviando il comando di FORMATTAZIONE. Durante la formattazione, l'unità esegue la scansione dell'intero disco per individuare e registrare eventuali settori danneggiati. Questa operazione richiede circa 80 minuti. Se si attiva la funzione di formattazione in background, l'unità avvia automaticamente la formattazione fisica in background, anche se non riceve il comando di FORMATTAZIONE. Di conseguenza, durante la formattazione i dati possono essere letti e scritti. Questa operazione richiede almeno 135 minuti.

Precauzioni

- **Precauzioni per la formattazione in background**

Non spegnere mai l'unità senza aver prima verificato che il disco sia stato estratto durante il processo di formattazione in background. Se si spegne l'unità senza estrarre il disco durante la formattazione in background, è possibile che si verifichino errori nella scrittura dei dati e l'unità potrebbe contrassegnare tali settori come difettosi. Prima di spegnere l'unità, verificare di aver estratto il disco utilizzando il tasto di espulsione o il comando corrispondente.

- **Verifica bloccata**

Se si blocca la verifica della scrittura, è consigliabile utilizzare un disco formattato fisicamente. La disattivazione della verifica della scrittura aumenta la velocità di trasferimento, ma può ridurre l'affidabilità dei dati scritti. Se il disco non è stato fisicamente formattato, l'unità forza la verifica di tutte le operazioni di scrittura anche se questa funzione è stata disattivata.

- **Precauzioni per la scrittura su cache**

L'unità è dotata di una funzione che consente la scrittura sulla cache. Quando questa funzionalità è attiva, evitare assolutamente di spegnere l'unità senza aver prima controllato che i dati siano stati trasferiti dalla memoria cache al disco. Se l'unità viene spenta prima che tutti i dati presenti nella memoria cache siano stati registrati sul disco, i dati andranno persi. Prima di spegnere l'unità, accertarsi di aver estratto il disco, poiché questa operazione attiva la scrittura su disco dei dati della memoria cache. Inoltre, anche se l'unità scrive periodicamente sul disco i dati ricavati dalla memoria cache, è comunque possibile che questi vadano persi in caso di interruzione dell'alimentazione.

BW-RS101 Impostazione dell'ID SCSI

Utilizzare gli interruttori di funzione da M a P per impostare l'ID SCSI.

ID SCSI	Interruttore di funzione			
	P (SCSI 0)	O (SCSI 1)	N (SCSI 2)	M (SCSI 3)
0	OFF	OFF	OFF	OFF
1	ON	OFF	OFF	OFF
2	OFF	ON	OFF	OFF
3	ON	ON	OFF	OFF
4	OFF	OFF	ON	OFF
5	ON	OFF	ON	OFF
6	OFF	ON	ON	OFF
7	ON	ON	ON	OFF
8	OFF	OFF	OFF	ON
9	ON	OFF	OFF	ON
10	OFF	ON	OFF	ON
11	ON	ON	OFF	ON
12	OFF	OFF	ON	ON
13	ON	OFF	ON	ON
14	OFF	ON	ON	ON
15	ON	ON	ON	ON

Impostazione dell'ID SCSI

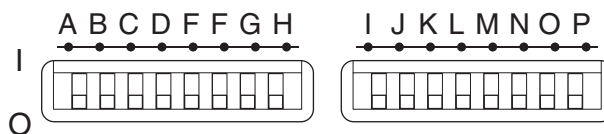
Nota

Accertarsi di selezionare un ID SCSI non assegnato a un altro dispositivo SCSI.



Impostazione delle funzioni di BW-RU101

Utilizzare gli interruttori di funzione da B a H presenti sul pannello posteriore dell'unità per selezionare le relative funzioni in base al computer host e al software in uso. Prima di modificare le impostazioni degli interruttori, verificare che l'unità sia spenta.



Interruttore	Funzione	1	0
A	Dedicato	—	
B	CAV forzata	Tutte le operazioni sono eseguite in modalità di ricerca CAV.	Modalità di qualità attivata (selezione automatica di CAV/CLV)
C	Controllo della formattazione in background	Modalità di formattazione in background attivata	Modalità di formattazione in background non attivata
D	Dedicato*	—	
E	Dedicato*		
F	Verifica bloccata	Non verifica le operazioni di scrittura	Verifica le operazioni di scrittura
G	Controllo scrittura su cache	Scrittura su cache non attivata.	Scrittura su cache attivata.
H	Tipo dispositivo	Segnala 00H come tipo di dispositivo (dispositivo ad accesso diretto)	Segnala 07H come tipo di dispositivo (dispositivo di memoria ottico)
I	Dedicato*	—	
J	Dedicato*		
K	Dedicato*		
L	Dedicato*		
M	Dedicato*		
N	Dedicato*		
O	Dedicato*		
P	Dedicato*		

— :Regolazione di fabbrica

Impostazione degli interruttori di funzione di BW-RU101

Nota

• Dedicato*

Evitare di impostare su 1 gli interruttori dedicati, perché la modifica di tale impostazione può causare danni all'unità.

- **Formattazione in background**

Questa unità è dotata di una funzione che consente la formattazione in background. Per aumentare l'affidabilità della scrittura dei dati, è consigliabile eseguire una formattazione fisica prima di registrare un qualsiasi disco non utilizzato. Se si disattiva la funzione di formattazione in background, è possibile avviare la formattazione fisica in primo piano inviando il comando di FORMATTAZIONE. Durante la formattazione, l'unità esegue la scansione dell'intero disco per individuare e registrare eventuali settori danneggiati. Questa operazione richiede circa 80 minuti. Se si attiva la funzione di formattazione in background, l'unità avvia automaticamente la formattazione fisica in background, anche se non riceve il comando di FORMATTAZIONE. Di conseguenza, durante la formattazione i dati possono essere letti e scritti. Questa operazione richiede almeno 135 minuti.

Precauzioni

- **Precauzioni per la formattazione in background**

Non spegnere mai l'unità senza aver prima verificato che il disco sia stato estratto durante il processo di formattazione in background. Se si spegne l'unità senza estrarre il disco durante la formattazione in background, è possibile che si verifichino errori nella scrittura dei dati e l'unità potrebbe contrassegnare tali settori come difettosi. Prima di spegnere l'unità, verificare di aver estratto il disco utilizzando il tasto di espulsione o il comando corrispondente.

- **Verifica bloccata**

Se si blocca la verifica della scrittura, è consigliabile utilizzare un disco formattato fisicamente. La disattivazione della verifica della scrittura aumenta la velocità di trasferimento, ma può ridurre l'affidabilità dei dati scritti. Se il disco non è stato fisicamente formattato, l'unità forza la verifica di tutte le operazioni di scrittura anche se questa funzione è stata disattivata.

- **Precauzioni per la scrittura su cache**

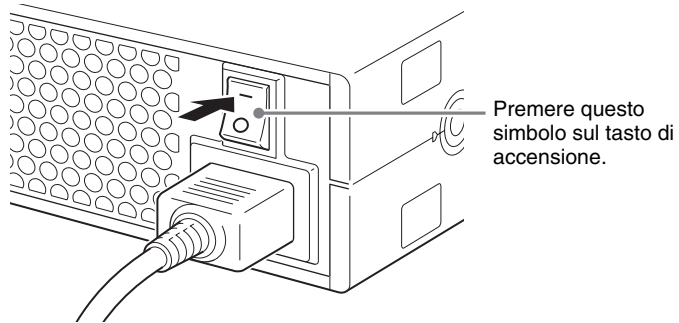
L'unità è dotata di una funzione che consente la scrittura sulla cache. Quando questa funzionalità è attiva, evitare assolutamente di spegnere l'unità senza aver prima controllato che i dati siano stati trasferiti dalla memoria cache al disco. Se l'unità viene spenta prima che tutti i dati presenti nella memoria cache siano stati registrati sul disco, i dati andranno persi. Prima di spegnere l'unità, accertarsi di aver estratto il disco, poiché questa operazione attiva la scrittura su disco dei dati della memoria cache. Inoltre, anche se l'unità scrive periodicamente sul disco i dati ricavati dalla memoria cache, è comunque possibile che questi vadano persi in caso di interruzione dell'alimentazione.

Utilizzo dei dischi

Inserimento di un disco

1 Accendere l'unità.

Premere il tasto di accensione situato nel pannello posteriore dell'unità.



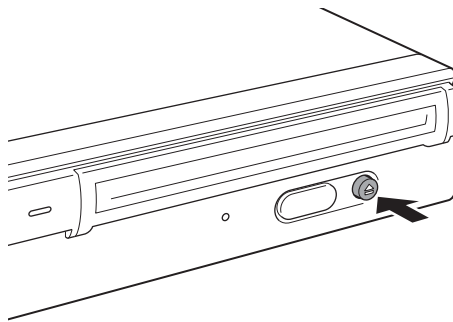
2 Avviare il computer host.

Per informazioni dettagliate, consultare la documentazione fornita con il computer host.

3 Aprire lo sportello dell'alloggiamento.

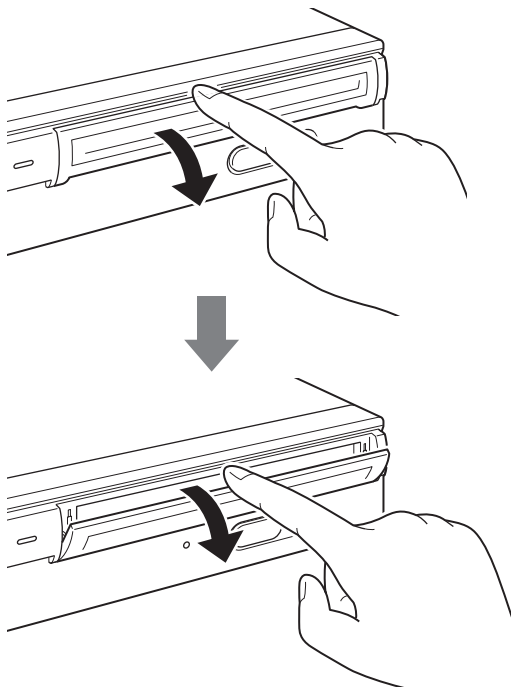
Apertura automatica

Per aprire lo sportello dell'alloggiamento, premere il tasto di espulsione.



Apertura manuale

Aprire il coperchio dell'alloggiamento tirandolo verso di sè, come illustrato.

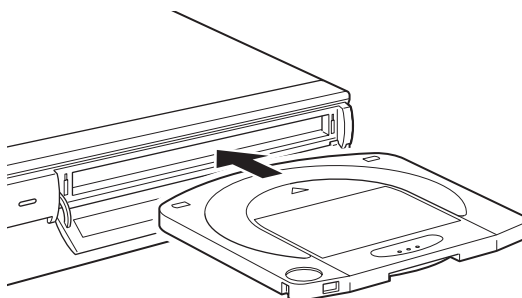


Nota

Aprire delicatamente il coperchio dell'alloggiamento, senza esercitare una forza eccessiva.

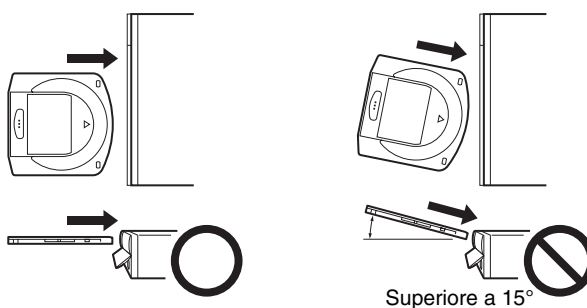
4 Inserire un disco.

Inserire il disco nella direzione illustrata.



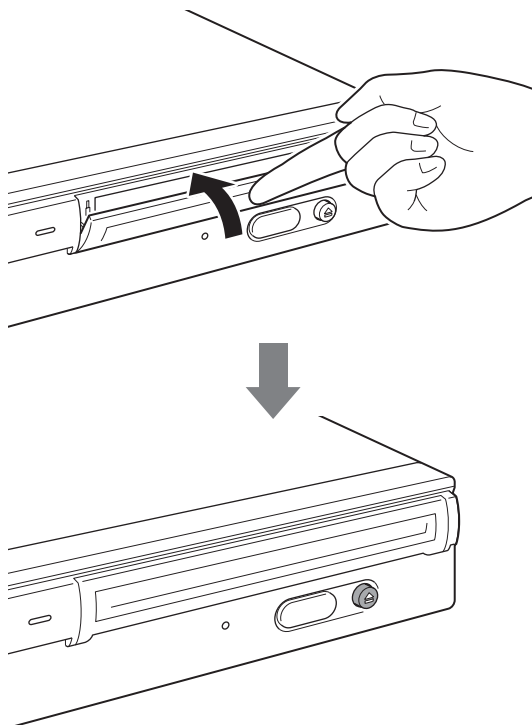
Nota

L'inserimento del disco in direzione errata può danneggiare il disco stesso o l'unità.



5 Chiudere lo sportello dell'alloggiamento.

Dopo aver completamente inserito il disco, chiudere lo sportello.



Nota

Per impedire a polvere e sporco di entrare nell'unità, accertarsi che il coperchio dell'alloggiamento sia sempre chiuso, tranne quando si inseriscono o si estraggono i dischi.

6 Lettura e/o scrittura dei dati sul disco.

Per leggere e/o scrivere i dati su un disco, utilizzare i comandi SCSI o il software del computer host. Durante le operazioni di lettura/scrittura dei dati, l'indicatore di unità OCCUPATA è acceso.

Nota

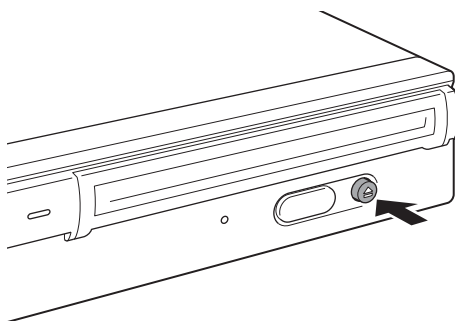
Per informazioni dettagliate, fare riferimento alle specifiche relative a "Professional Disc for DATA" SCSI e/o alla guida all'installazione di "Professional Disc for DATA", disponibile sul sito Web Sony all'indirizzo <http://www.sony.net/ProDATA/>.

Espulsione di un disco

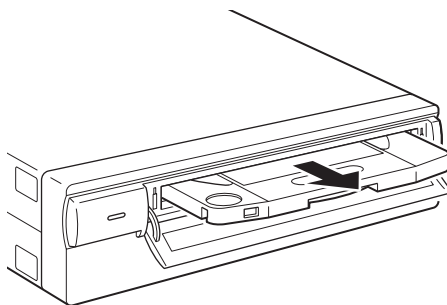
Nota

Anche se la scrittura dei dati sul computer host è terminata, è possibile che l'indicatore di unità OCCUPATA rimanga illuminato (arancione), per indicare che è in corso la scrittura dei dati sull'unità. In questo caso, non premere il tasto di espulsione.

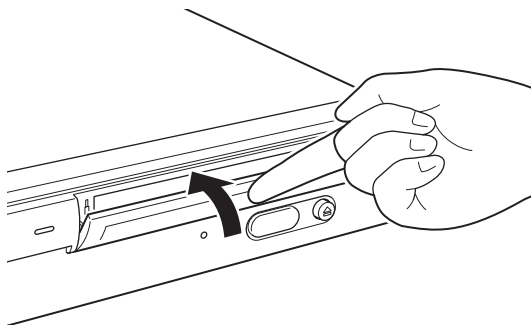
- 1 Espellere il disco utilizzando il comando di ESPULSIONE o premendo l'apposito tasto.



Durante l'espulsione del disco, l'unità apre automaticamente lo sportello dell'alloggiamento.



- 2 Dopo aver rimosso il disco dall'unità, chiudere lo sportello dell'alloggiamento spingendolo con le dita.

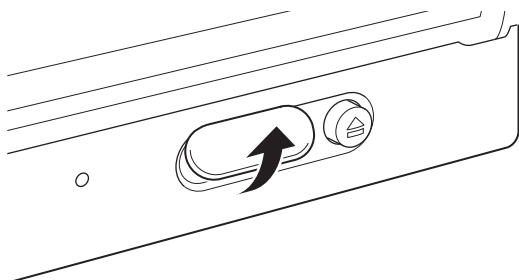


Se la cartuccia disco non viene espulsa

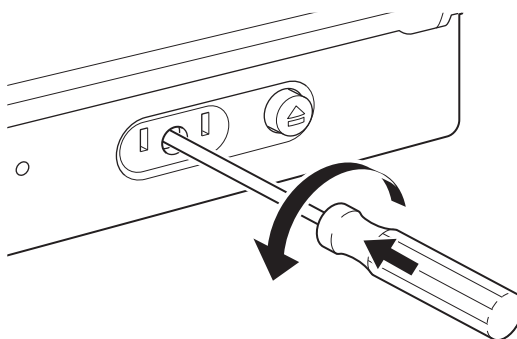
Foro per espulsione di emergenza

Se utilizzando il tasto di espulsione o il comando corrispondente il disco non viene espulso, per estrarlo spegnere l'unità e inserire un cacciavite a croce di precisione nel foro per l'espulsione di emergenza.

- 1 Rimuovere il coperchio del foro per l'espulsione di emergenza



- 2 Inserire un cacciavite a croce di precisione (con un diametro di 5 mm) nel foro per l'espulsione di emergenza e ruotarlo in senso antiorario tenendolo premuto (per estrarre il disco, è necessario ruotare il cacciavite per circa 200 volte).



Precauzioni

Se nel ruotare il cacciavite si incontra resistenza, non esercitare una forza eccessiva, perché questo potrebbe danneggiare l'unità e/o il disco. Se dopo aver utilizzato la procedura sopra descritta il disco non viene espulso, contattare il rivenditore presso cui l'unità è stata acquistata per richiedere assistenza.

Uso dei dischi

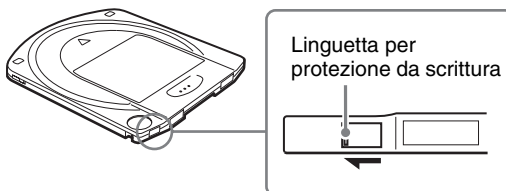
Protezione dei dati su disco

- Non lasciar cadere le cartucce e non esporle a vibrazioni o urti violenti.
- Non smontare le cartucce. Si tratta infatti di componenti di precisione, tarati con estrema cura prima della spedizione.
- Non aprire manualmente la finestrella della cartuccia e non toccare l'interno del disco. Tale finestrella è progettata per aprirsi automaticamente al momento dell'inserimento del disco nell'unità.
- Non usare la cartuccia in ambienti con elevata umidità e/o temperature molto variabili. La condensa può impedire la lettura o la scrittura dei dati.
- Conservare sempre le cartucce nella relativa custodia.
- Non esporre le cartucce a luce solare diretta o calore eccessivo, lasciandole ad esempio sul cruscotto o nel vano portaoggetti di un'automobile.
- Non conservare le cartucce disco in luoghi esposti a:
 - Polvere e/o sporco eccessivi.
 - Luce solare diretta.
 - Sorgenti di calore prossime.
 - Umidità elevata.

Protezione dei dati

Le cartucce dati sono dotate di una linguetta di protezione da scrittura che consente di evitare di cancellare accidentalmente i dati presenti sulla cartuccia disco o di scrivere inavvertitamente dati non desiderati.

Far scorrere la linguetta in direzione della freccia, come illustrato di seguito. Al di sotto della linguetta compare una superficie rossa che indica che la cartuccia è protetta da scrittura. Per eliminare la protezione, ricollocare la linguetta nella posizione originale.



Fare riferimento alla descrizione dei dischi.

Pulizia dei dischi

L'unità e i dischi sono progettati in modo da resistere alla polvere e ad altri agenti di contaminazione ambientali. I dischi non richiedono quindi alcuna operazione di pulizia. L'uso di un dispositivo per la pulizia può danneggiare la superficie dei dischi.

Se il disco è stato inserito a unità spenta

Se lo si inserisce a unità spenta, il disco potrebbe rimanere bloccato. Se il disco è bloccato, riavviare l'unità ed estrarlo premendo il tasto di espulsione o con il comando corrispondente dopo aver verificato che il disco sia completamente inserito nell'unità.

Precauzioni per l'uso dell'unità

Alimentazione elettrica

- Utilizzare corrente alternata con tensione compresa tra 100 e 240 V.
- Non condividere la stessa presa di corrente con altre attrezzature elettriche, quali fotocopiatrici o distruggi-documenti.

Uso del cavo di alimentazione

- Non posizionare e non lasciar cadere oggetti pesanti sul cavo di alimentazione e prestare attenzione a non danneggiarlo. L'utilizzo di un cavo danneggiato può risultare pericoloso.
- Scollegare il cavo dalla presa di corrente tenendolo per la spina. Se questa operazione viene eseguita tirando il cavo, questo potrebbe subire danni.
- Se non si intende utilizzare l'unità per un lungo periodo di tempo, scollegare il cavo di alimentazione dalla presa di corrente.

Posizione di installazione

L'unità deve essere collocata in posizione orizzontale o verticale su una superficie piatta e stabile. L'inclinazione massima della superficie inferiore consentita per il montaggio è di 10°.

Requisiti di posizionamento

Per scegliere il luogo in cui installare o conservare le unità è necessario prestare particolare attenzione ai requisiti riportati di seguito.

Evitare le seguenti condizioni:

- Umidità elevata
- Temperature elevate
- Luce solare diretta
- Polvere
- Forti vibrazioni
- Ampie variazioni di temperatura

Non sottoporre l'unità a urti o vibrazioni

Lasciar cadere l'unità o sottoporla a forti impatti può danneggiare l'unità stessa.

Ventilazione

È necessario prestare attenzione a evitare il surriscaldamento dei meccanismi interni dell'unità. Evitare di ostacolare o bloccare l'apertura o posizionare l'unità in un'area con ventilazione insufficiente. Se la temperatura interna aumenta eccessivamente, l'unità potrebbe smettere di funzionare all'improvviso.

Spostamento dell'unità

Accertarsi di rimuovere le cartucce disco quando le unità non sono in uso. Evitare sempre di spostare o trasportare le unità con le cartucce disco ancora inserite. Durante l'uso, il disco ruota a velocità più elevata. Lo spostamento dell'unità mentre questa è in funzione può disturbare la rotazione del disco e causare danni. Prima di spostare l'unità, estrarre sempre il disco.

Condensa

Evitare di sottoporre l'unità a temperature estreme. Se, ad esempio, l'unità viene spostata velocemente da un luogo molto freddo a uno più caldo, l'improvviso aumento della temperatura ambiente può provocare la formazione di vapore acqueo da condensa all'interno dell'unità. Se questo improvviso sbalzo di temperatura non può essere evitato, attendere almeno un'ora prima di utilizzare l'unità. Inserire un disco nel meccanismo in presenza di vapore acqueo può danneggiare sia il disco che l'unità. Se esiste la possibilità che si sia formata condensa all'interno dell'unità, estrarre immediatamente eventuali dischi. Se non è inserito alcun disco e se l'unità viene lasciata accesa, la condensa evapora più rapidamente.

Allarme temperatura

Quando la temperatura dell'unità supera il livello preimpostato, l'indicatore di unità OCCUPATA inizia a lampeggiare a intervalli di 2 secondi, indipendentemente dalla presenza o meno di un disco nell'unità stessa, e l'unità smette di funzionare. In questo caso è consigliabile aumentare la ventilazione dell'area di installazione.

Se il problema persiste, scollegare l'unità e contattare il proprio rivenditore.

Pulizia dell'unità

Non utilizzare dispositivi per la pulizia delle lenti. Il meccanismo interno garantisce la pulizia periodica e automatica della lente. Di conseguenza, la lente dell'unità non richiede alcuna operazione di pulizia aggiuntiva. L'uso di un dispositivo per la pulizia potrebbe danneggiare la lente. Evitare accuratamente di utilizzare prodotti di pulizia per pulire i dischi o la lente dell'unità.

Manutenzione

Pulire il telaio con un panno morbido e asciutto o appena inumidito con una piccola quantità di soluzione detergente neutra. Non utilizzare alcun tipo di solvente, ad esempio alcool o benzina, che potrebbe danneggiare la finitura.

In caso di problemi

Se si verificano problemi, spegnere e scollegare l'unità e contattare il proprio rivenditore.

Specifiche

Nota

Le specifiche sono soggette a modifiche senza preavviso.

Specifiche dei dischi

I modelli BW-RS101 e BW-RU101 sono compatibili con due tipi di disco.

Capacità dell'area dati	23,3 GB/disco (2048 byte/settore)
Velocità di trasferimento dati utente	
Scrittura continua	9 MB/s (CLV)
	Da 4,5 a 9 MB/s (CAV)
Lettura continua	10,8 MB/s (CLV)
	Da 4,5 a 10,8 MB/s (CAV)

Specifiche

Prestazioni

Velocità di rotazione disco	
Lettura continua CLV (interna)	5042 min ⁻¹ (giri/min.)
Lettura continua CLV (esterna)	2086 min ⁻¹ (giri/min.)
Scrittura continua CLV (interna)	4201 min ⁻¹ (giri/min.)
Scrittura continua CLV (esterna)	1738 min ⁻¹ (giri/min.)
Lettura/scrittura continua CAV	2100 min ⁻¹ (giri/min.)
Tempi di ricerca	
1/3 stroke	320 ms (Scrittura continua CLV)
	110 ms (CAV)
Full stroke	900 ms (Scrittura continua CLV)
	200 ms (CAV)

Specifiche del blocco controller

Interfaccia host	
BW-RS101	Ultra 160 LVD/SE SCSI Interfaccia parallela SCSI-3 (SPI-3) [ANSI NCITS.336:2000]
BW-RU101	Hi-Speed USB (USB 2.0)
Velocità di trasferimento dati burst	
BW-RS101	160 MB/s sincrona (massima)
BW-RU101	480 Mbps (massima)
Capacità memoria buffer	16 MB

Specifiche del diodo laser

Tipo	Laser semiconduttore (GaN)
Potenza in uscita	35 mW (CW), 65 mW (pulsazione)
Lunghezza d'onda	Da 403 a 410 nm

Specifiche ambientali

Temperatura operativa	Da +5 a +40°C (da +41 a +104°F)
Temperatura ambientale	Da -30 a +60°C (da -22 a +140°F)
Gradiente massimo di temperatura	+10°C/ora (+18°F/ora)
Umidità operativa	Da +10% a +90% RH, senza condensa
Umidità ambientale	Da +5% a +90% RH, senza condensa
Orientamento per il montaggio	Orizzontale o verticale
Inclinazione per il montaggio	Inferiore a ±10°

Specifiche meccaniche

Alimentazione	100-240 V AC, 50/60 Hz
Consumo energetico	0,35-0,50 A (massimo)
Dimensioni (L x A x P)	199 x 59 x 306 mm (7,8 x 2,3 x 12,1 pollici) (circa)
Peso	4,0 kg (8,8 lb.) (circa)

<http://www.sony.net/>



Printed on 100% recycled paper.

Sony Corporation Printed in Japan