

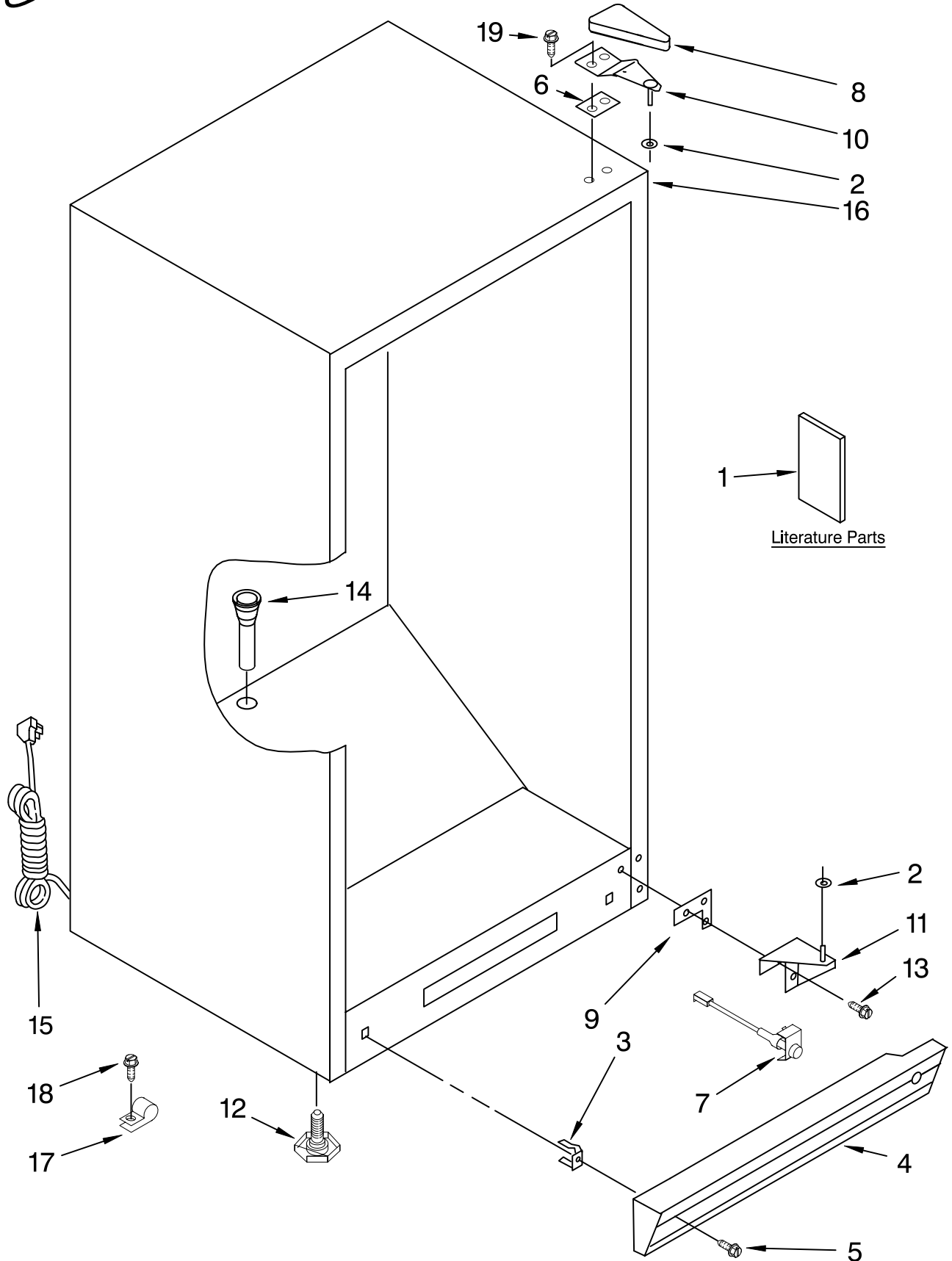


# CABINET PARTS

For Model: EV161NZRQ02

(White)

VERTICAL FREEZER



FOR ORDERING INFORMATION REFER TO PARTS PRICE LIST

# CABINET PARTS

For Model: EV161NZRQ02

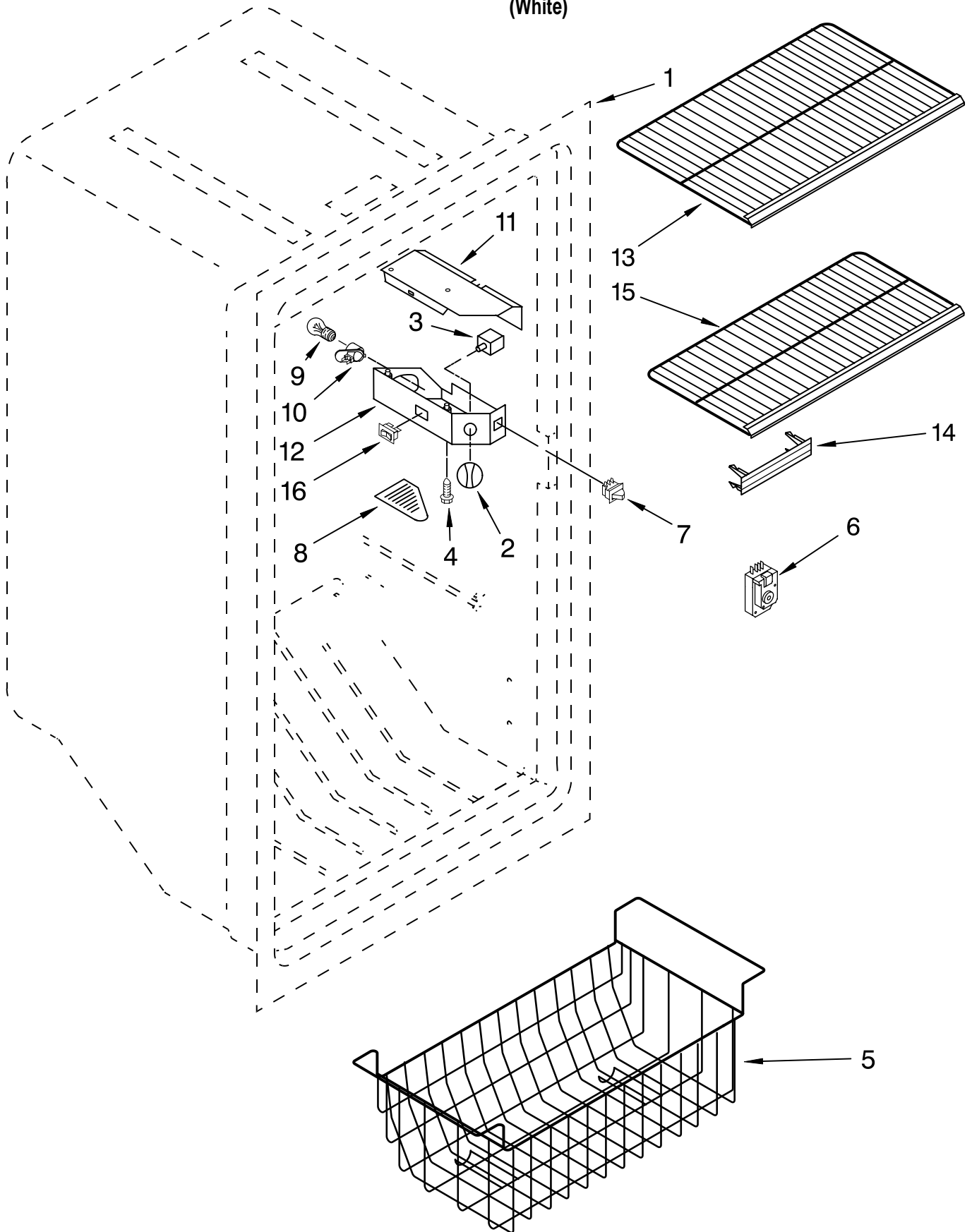
(White)

<b>Illus. No.</b>	<b>Part No.</b>	<b>DESCRIPTION</b>
1		Literature Parts
	8210432	Owners Manual
	8210429	Energy Label/Tag
2	4390520	Washer, Door Spacer
3	4356803	Clip, Grille
4	8210293	Grille
5	4357243	Screw
6	4390489	Shim, Hinge
7	4390905	Power Light Assembly
8	4357279	Cover, Hinge
9	4390489	Shim, Bottom
10	8210222	Hinge, Top
11	8210238	Hinge, Bottom
12	4390866	Leg, Leveler
13	4356830	Screw
14	W10164544	Grommet, Drain
15	8210375	Cord, Power
16		Cabinet (Not A Serviceable Part)
17	4356643	Clamp, Tube
18	4356583	Screw
19	W10204670	Screw

# LINER PARTS

For Model: EV161NZRQ02

(White)



FOR ORDERING INFORMATION REFER TO PARTS PRICE LIST

# LINER PARTS

For Model: EV161NZRQ02

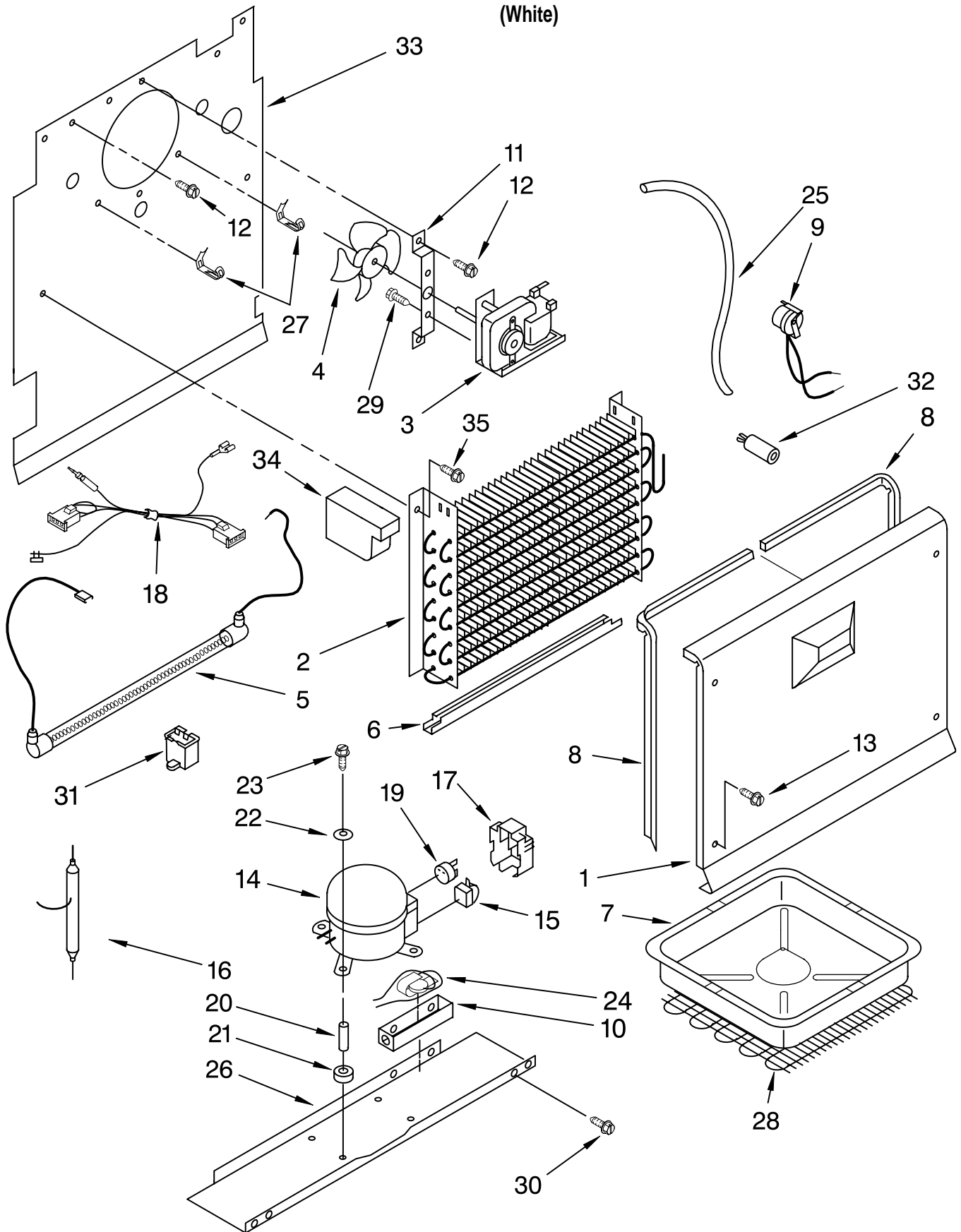
(White)

<b>Illus. No.</b>	<b>Part No.</b>	<b>DESCRIPTION</b>
1		Liner (Not A Serviceable Part)
2	8210348	Knob, Control
3	8210344	Thermostat
4	4357042	Screw
5	4390621	Basket, Wire
6	4357124	Timer, Defrost
7	4390513	Switch, Light
8	8210349	Lens, Light
9	4390465	Bulb, Light
10	8210350	Socket, Light
11	8210351	Shield, Light
12	8210377	Box, Control
13	8210346	Shelf, Upper Wire
14	4357295	Vent Plug (4)
15	8210347	Shelf, Lower Wire
16	8210370	Switch, Alarm (Illuminated)

FOR ORDERING INFORMATION REFER TO PARTS PRICE LIST

# UNIT PARTS

For Model: EV161NZRQ02  
(White)



FOR ORDERING INFORMATION REFER TO PARTS PRICE LIST

# UNIT PARTS

For Model: EV161NZRQ02  
(White)

Illus. No.	Part No.	DESCRIPTION
1	W10189623	Cover, Evaporator
2	4357244	Evaporator
3	4390914	Motor, Fan
4	4390912	Blade, Fan
5	4390913	Heater, Defrost
6	W10164624	Shield, Heater
7	W10164623	Pan, Drain
8		Gasket, Cover Evaporator
	4390663	Right
	4390664	Left
9	8210253	Bi-Metal Defrost
10	4390708	Box, Alarm
11	4357129	Bracket, Motor
12	4356943	Screw, Motor
13	4357110	Screw (4)
14	4390792	Compressor (Includes Items 15,16,17,19 & 21)
15	4356738	Relay
16	4357299	Drier
17	4356777	Cover
18	8210426	Harness, Fan
19	4390896	Overload
20	4356846	Sleeve
21	4356335	Compressor, Grommet
22	4356847	Washer
23	8210220	Bolt, Compressor
24	4390709	Alarm (Buzzer)
25	4357263	Exchanger, Heat
26	4357257	Pan, Compressor
27	4356952	Clip, Thermostat
28	8210248	Condenser
29	4356970	Screw
30	4357277	Screw
31	8210224	Capacitor
32	4357020	Grommet
33	4357123	Plate, Evaporator Mount
34	8210261	Block, Foam
35	4357110	Screw

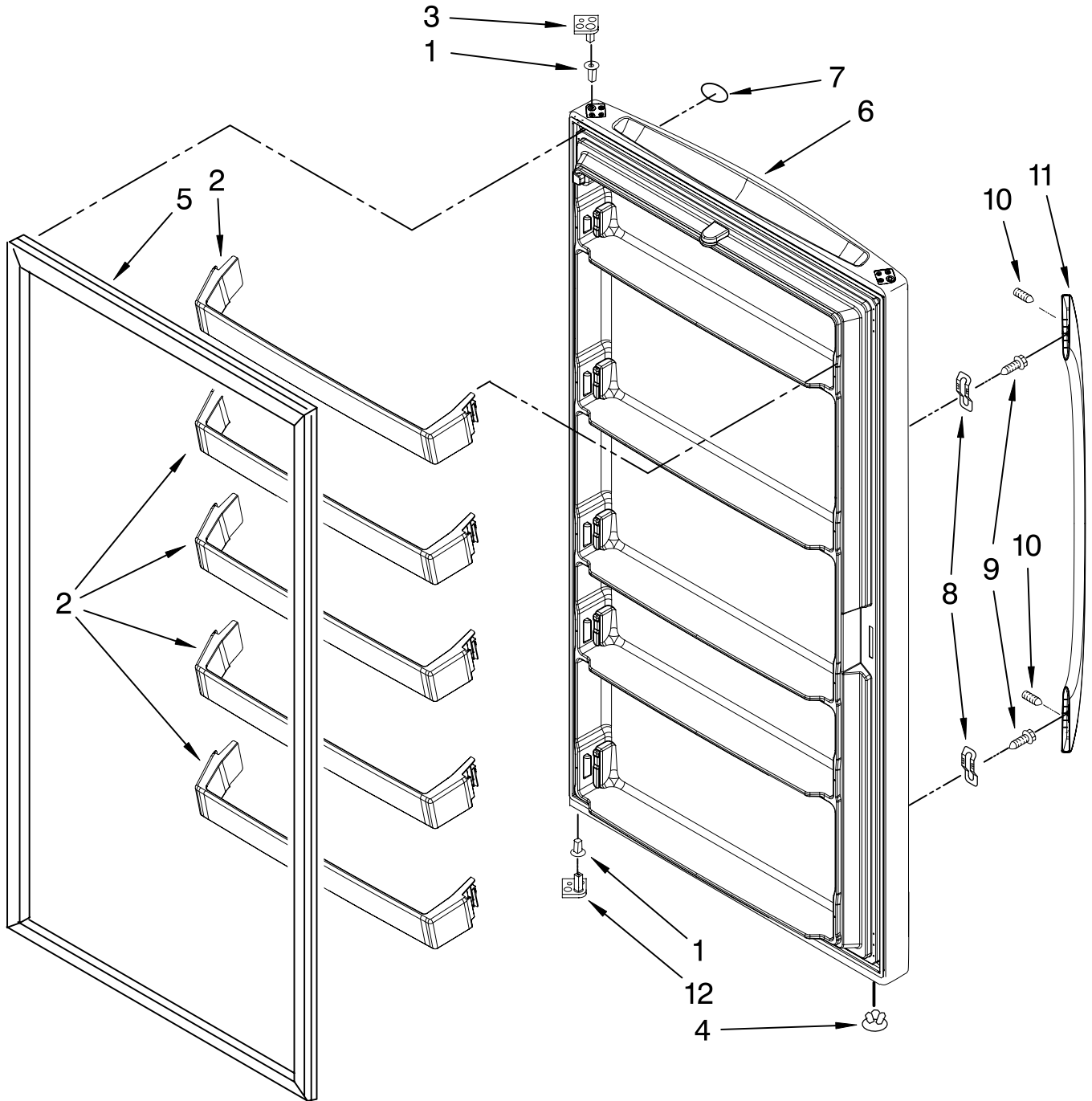
### REFRIGERANT CHARGE

6.2 oz.  
(R-134A)

# DOOR PARTS

For Model: EV161NZRQ02

(White)



Illus. No.	Part No.	DESCRIPTION
1	4390731	Bushing, Hinge
2	8210385	Rail, Door (5)
3	8210401	Stop, Door (Upper)
4	4357067	Vent Plug

Illus. No.	Part No.	DESCRIPTION
5	8210340	Gasket, Door
6	8210357	Door Assembly (Includes Interior Door Panel)
7	2255121	Nameplate
8	2255411	Clip

Illus. No.	Part No.	DESCRIPTION
9	489491	Screw
10	8533920	Screw
11	2313345W	Handle
12	8210400	Stop, Door (Lower)

FOR ORDERING INFORMATION REFER TO PARTS PRICE LIST

# OPTIONAL PARTS (NOT INCLUDED)

For Model: EV161NZRQ02

(White)

<u>Illus. No.</u>	<u>Part No.</u>	<u>DESCRIPTION</u>
-------------------	-----------------	--------------------

---

Parts Not Illustrated and  
Optional Parts (Not Included)

---

## Customer Touch-Up Material

\*350930 Enamel, White  
(13 Oz. Spray Can)  
72017 Brush Touch-Up Kit  
(White)

**\*Important:** The spray paint is  
not to be used where the paint  
may make contact with the door  
gaskets.

## Refinishing Material

799344 Enamel, White  
(1 Qt. Uncut)

## Miscellaneous

212643 Sealer, Gum  
(4 Feet)  
479502 Tape, Vinyl  
(3/4 x 108")  
978941 Insulation  
Fiberglass  
(63-1/2" x 35-1/2  
x 2-5/8")  
505587 Sealer Mastic  
(1 Qt.)  
503695 Cork Sealer  
(1/4 Pound)