

# Wardrobe

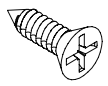
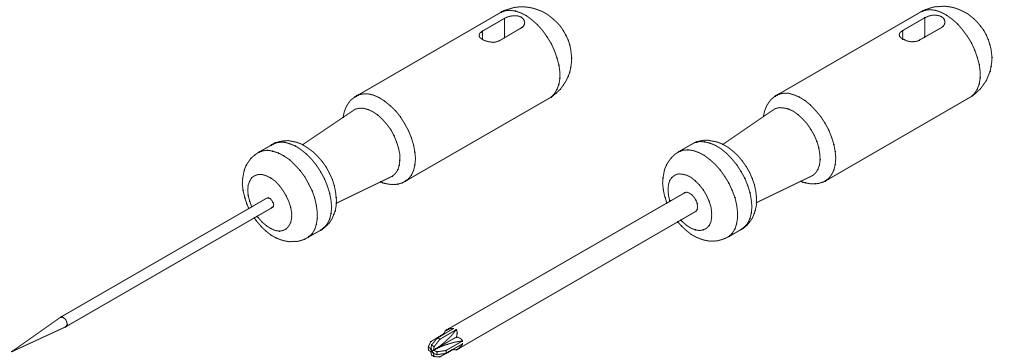
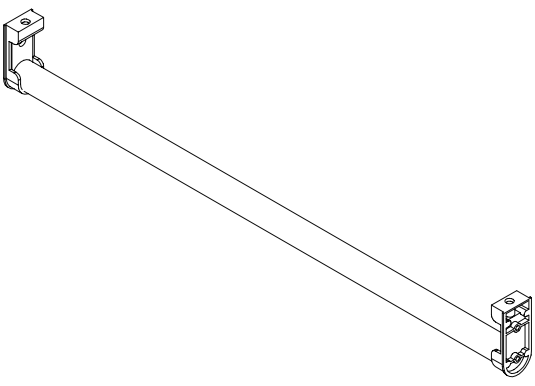
by TM Line 2000



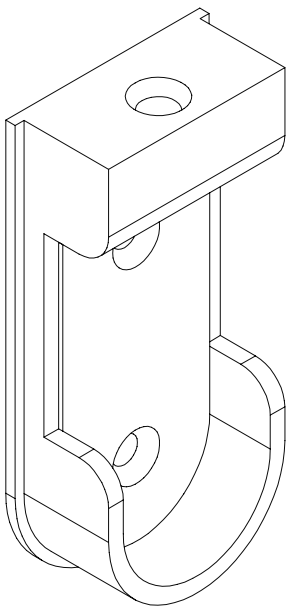
Step **3**

#657170

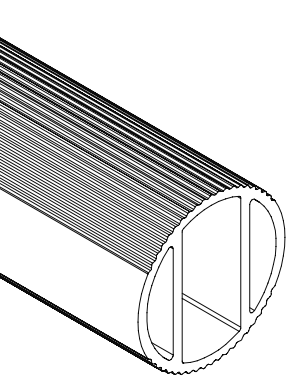
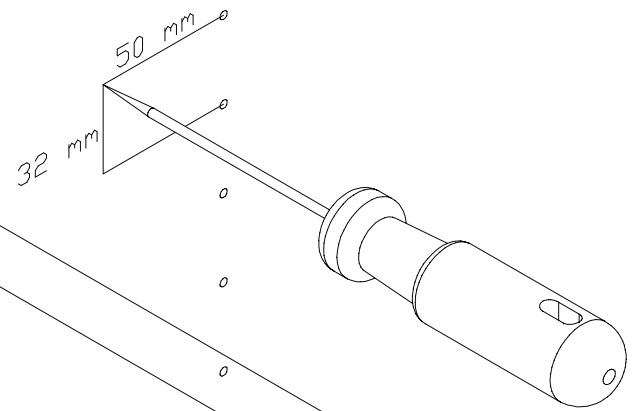
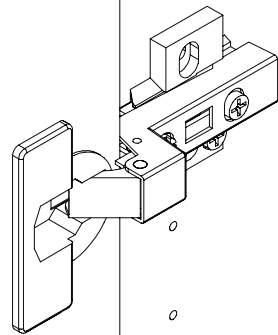
E1



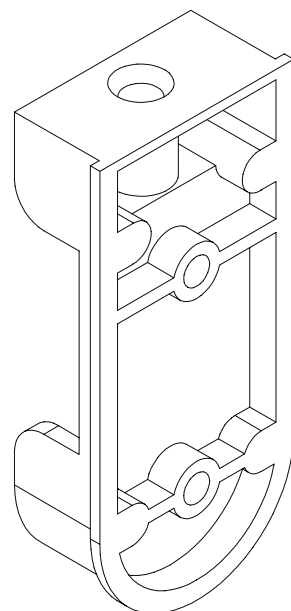
x 4



x 1



x 1



x 1

