

Wardrobe

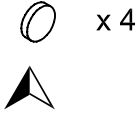
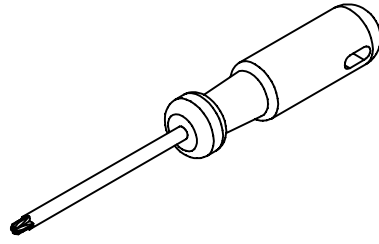
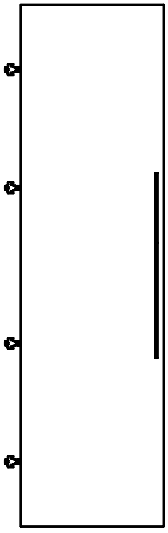
by TM Line 2000



Step **2**

#657042

E 1



x 4

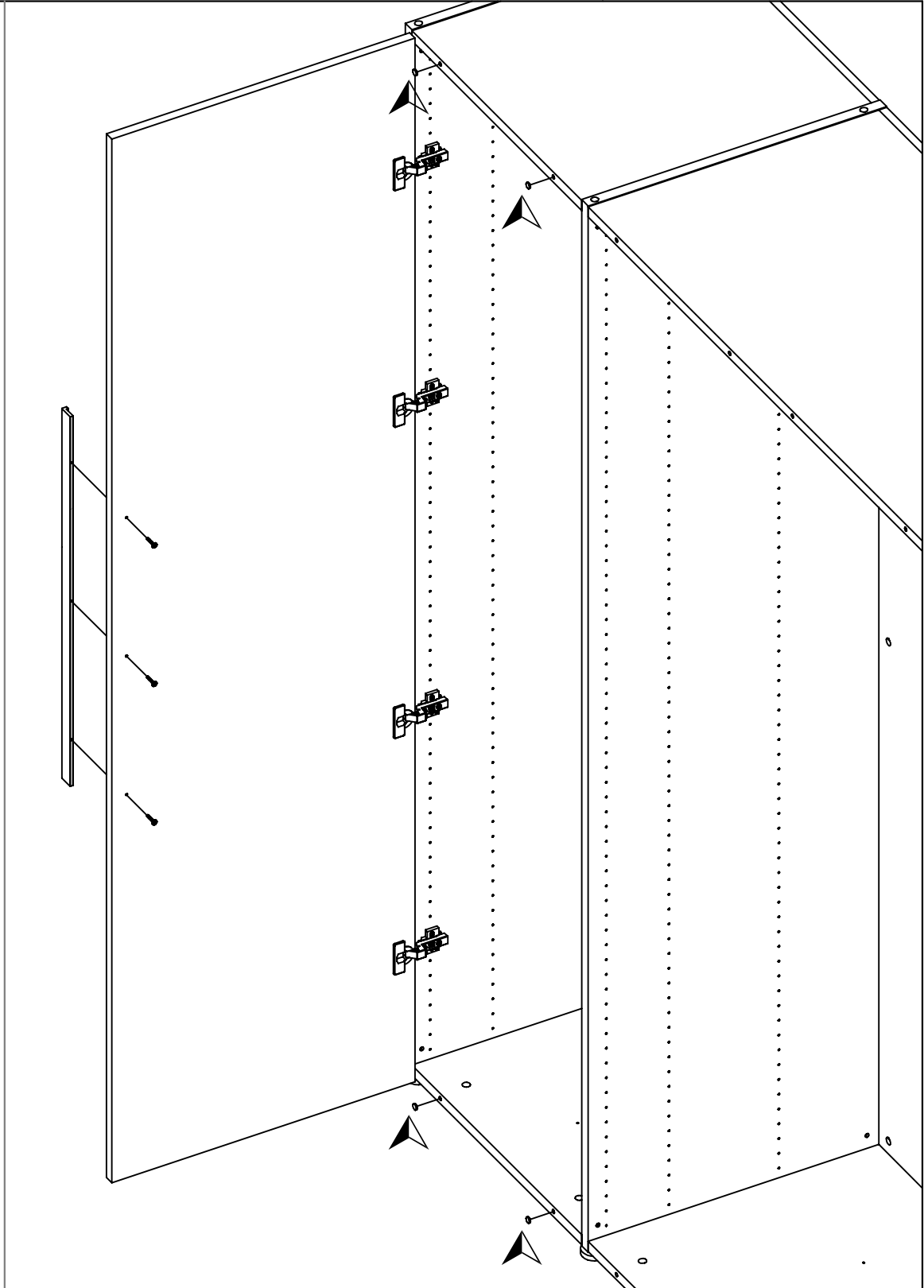
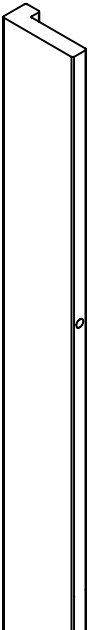
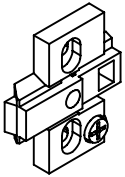
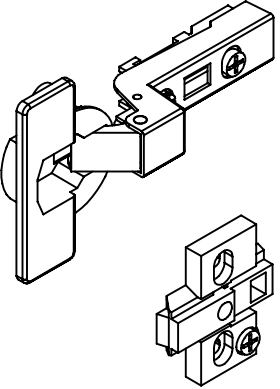
x 4

x 4

x 8

x 3

x 1

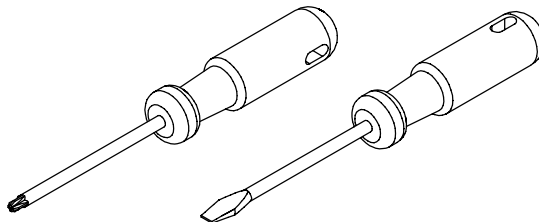
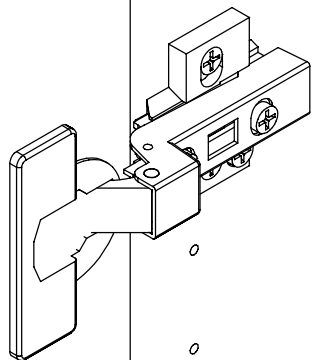


Wardrobe

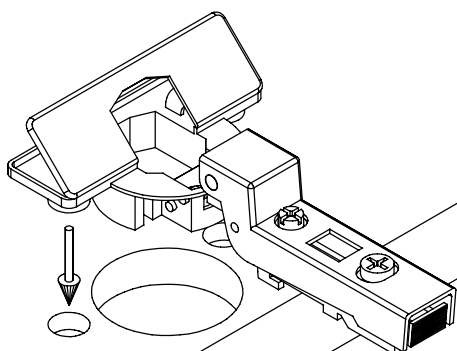


Step 2

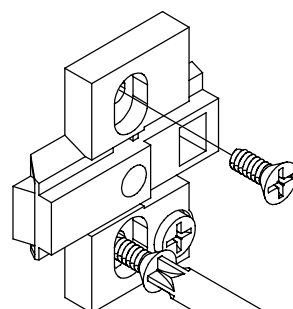
#657043-E2-P1/2



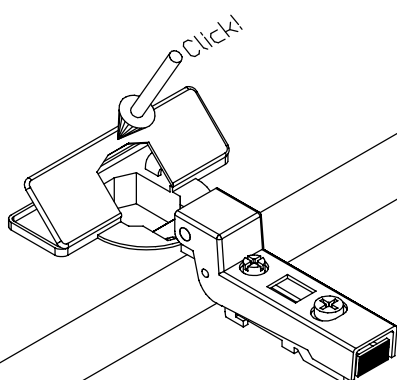
1



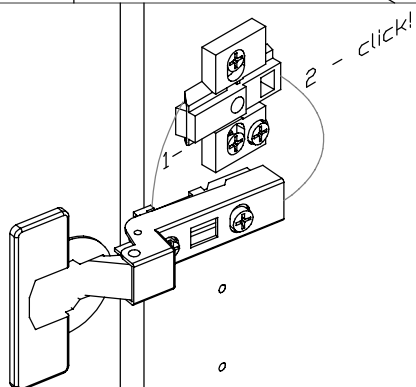
4



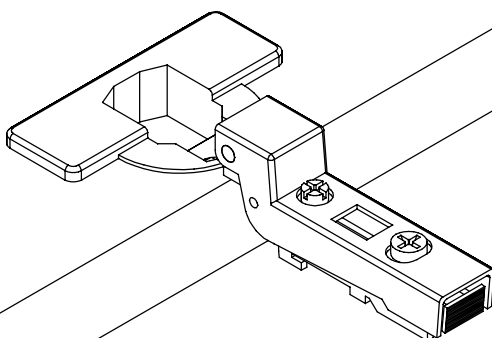
2



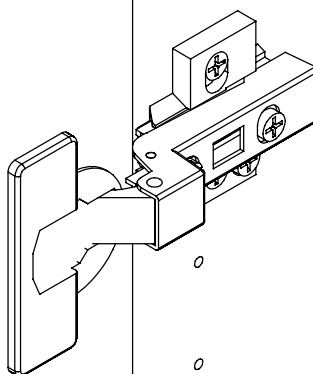
5



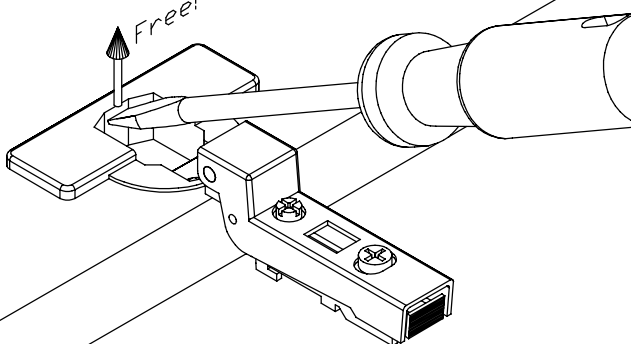
3



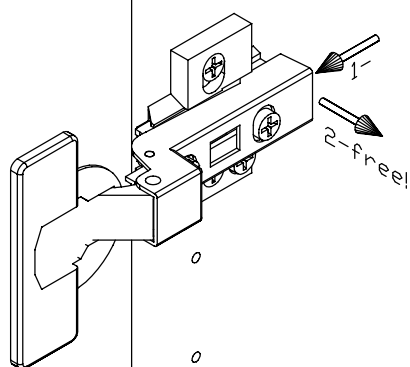
6



Free!



1 -
2 - free!



Wardrobe



Step 2

#657043-E2-P2/2

