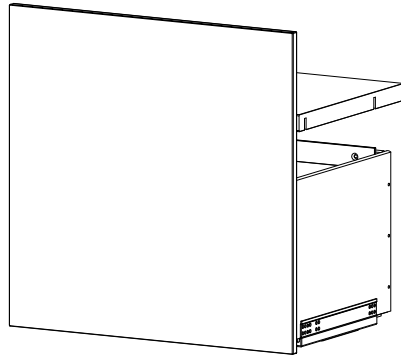



Lecco

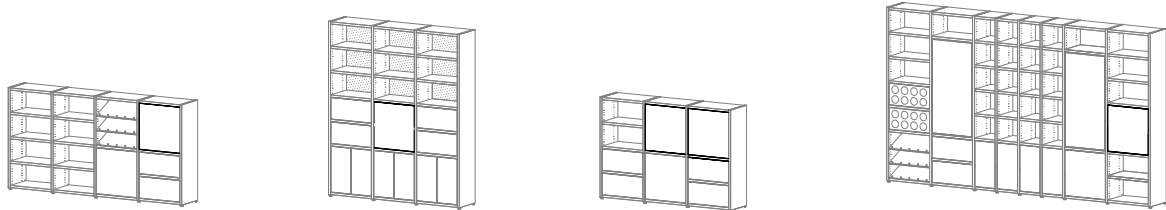
Design by BoConcept

Samvejledning - Assembly Instructions - Montageanleitung - Instructions d'assemblage - Instrucciones de montaje



5400

60,3x60,5x38,3 cm /  max. 20 kg



Korpus - Korpus - Carcase - Carcasse

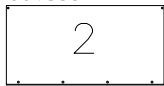
Col. 1

001834



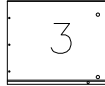
1

001833



2

001832



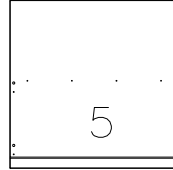
3

001911



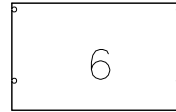
4

001004



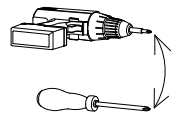
5

001053



6

Værktøj - Werkzeuge -
Tools - Outils



Beslag - Beschläge - Fittings - Set de montage - Acessórios

Col. 1



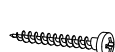
A X 6
1978054240
4,2x45mm



B X 4
970001056



C X 4
1972000009
ø3x11mm



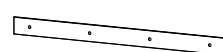
D X 4
1978103530
3,5x30mm



E X 2
1972020105



F X 4
970000731
12mm



G X 2
970000733
565x44x4mm



H X 4
970000749
5x25mm



J X 4
970000747
M6x45mm



K X 4
970000732
21mm



L X 4
1978806002
M6



M X 4
970000748
M6x25mm



N X 1
1979300004
4mm



P X 1
970000780
LEFT



Q X 1
970000785
LEFT



R X 1
970000784
LEFT



S X 1
970000779
RIGHT



T X 1
970000783
RIGHT



U X 1
970000782
RIGHT



V X 4
970000764
4,2x16mm



W X 4
970000787 white
970000740 black





Z X 4
970000739 white
970000763 black



Y X 4
1972290002
4,2x13,5mm

FIG. 1

-  A X 6
4,2x45mm
-  B X 4

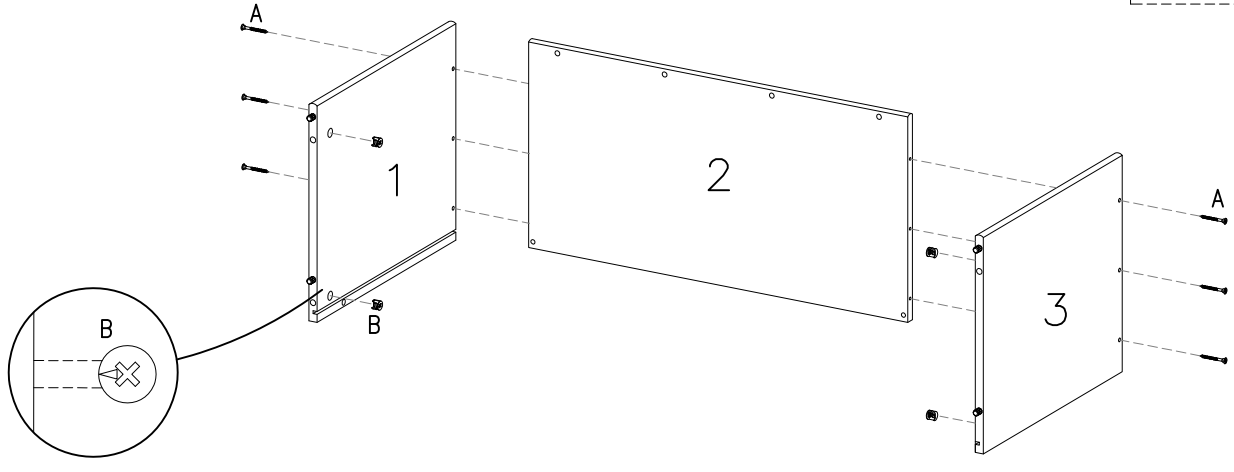
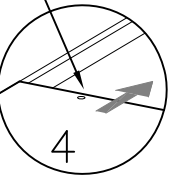



FIG. 2

Attention!



-  C X 4
ø3x11mm

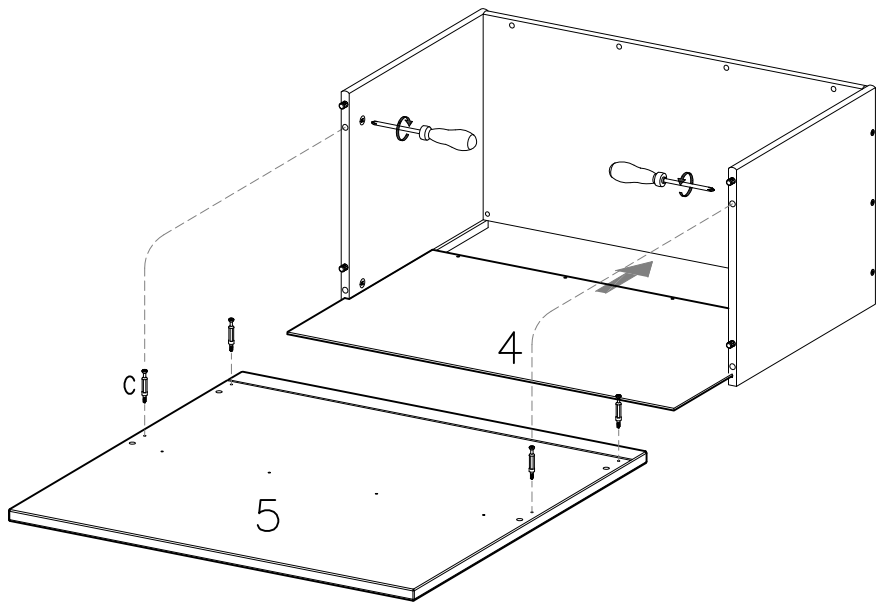
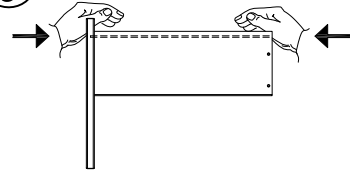
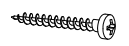



FIG. 3

Attention!



-  D X 4
-  E X 2

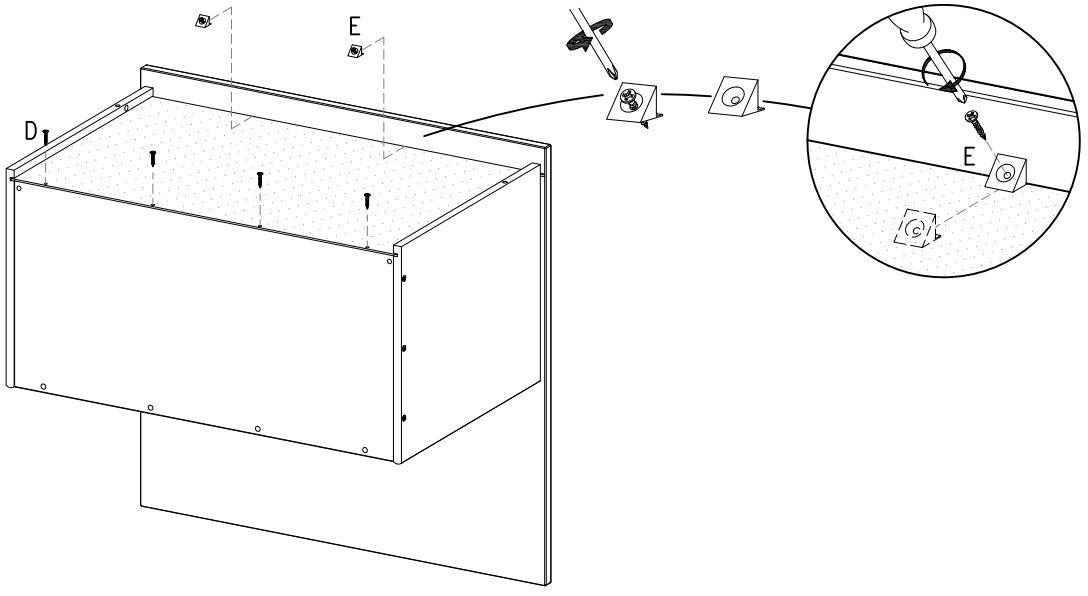


FIG. 4

- F X 4
12mm
- G X 1
565x44x4mm
- H X 4
5x25mm

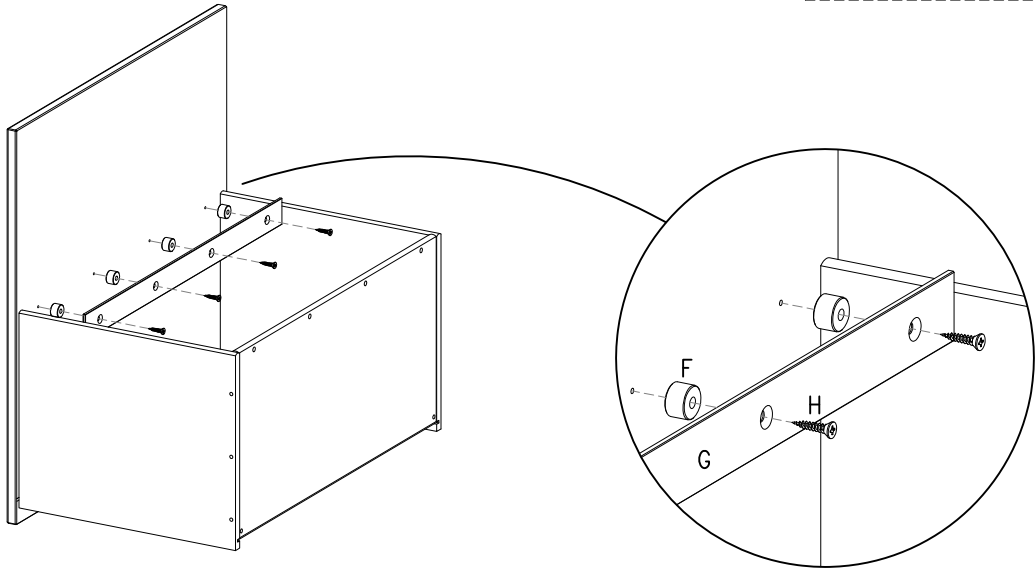
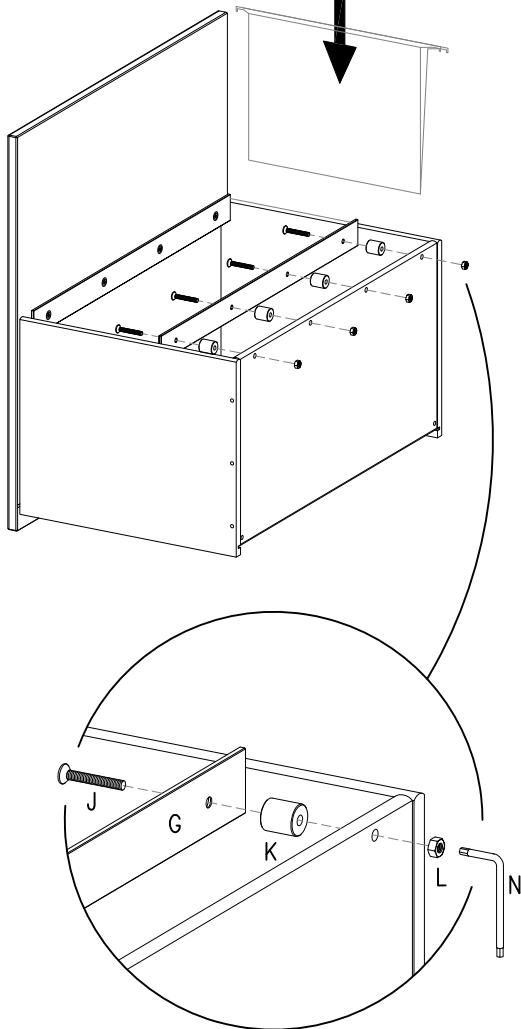


FIG. 5

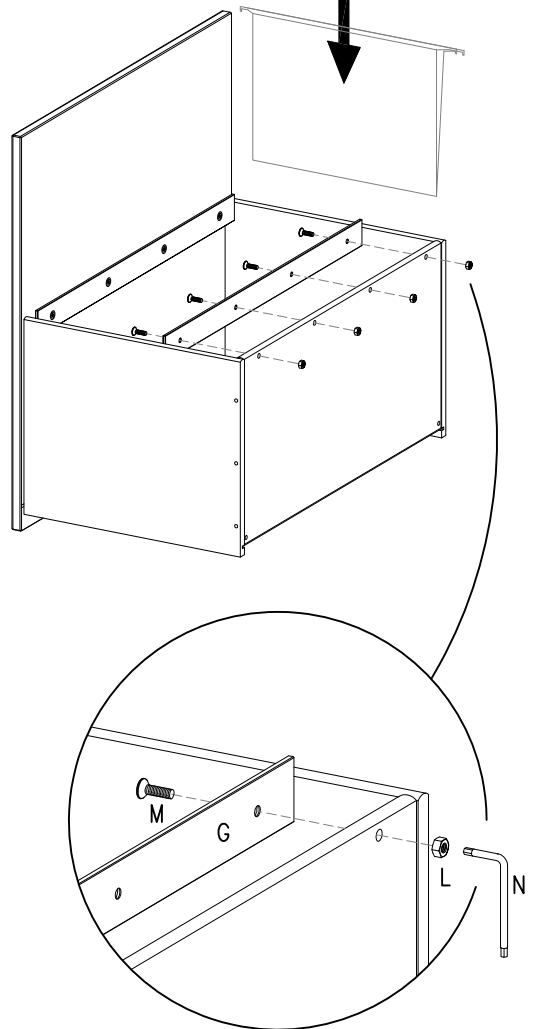
- J X 4
M6x45mm
- G X 1
565x44x4mm
- K X 4
21mm
- L X 4
M6
- N X 1

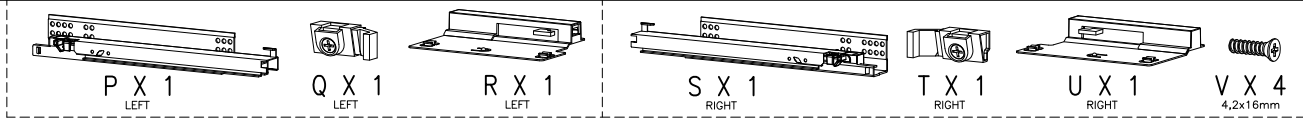
US



- M X 4
M6x25mm
- G X 1
565x44x4mm
- L X 4
M6
- N X 1

EU





Example - LEFT

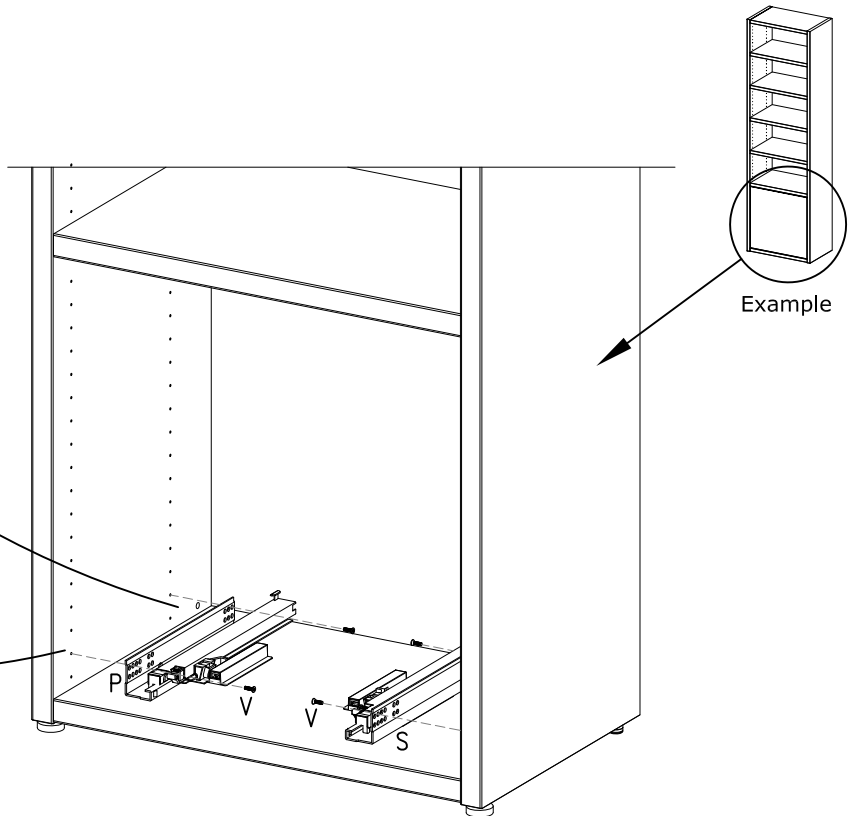
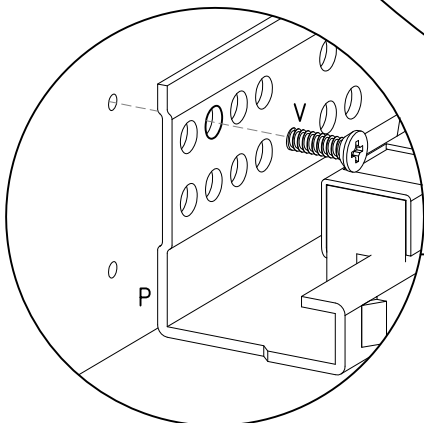
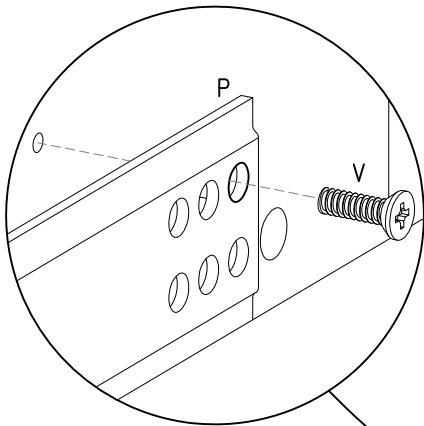
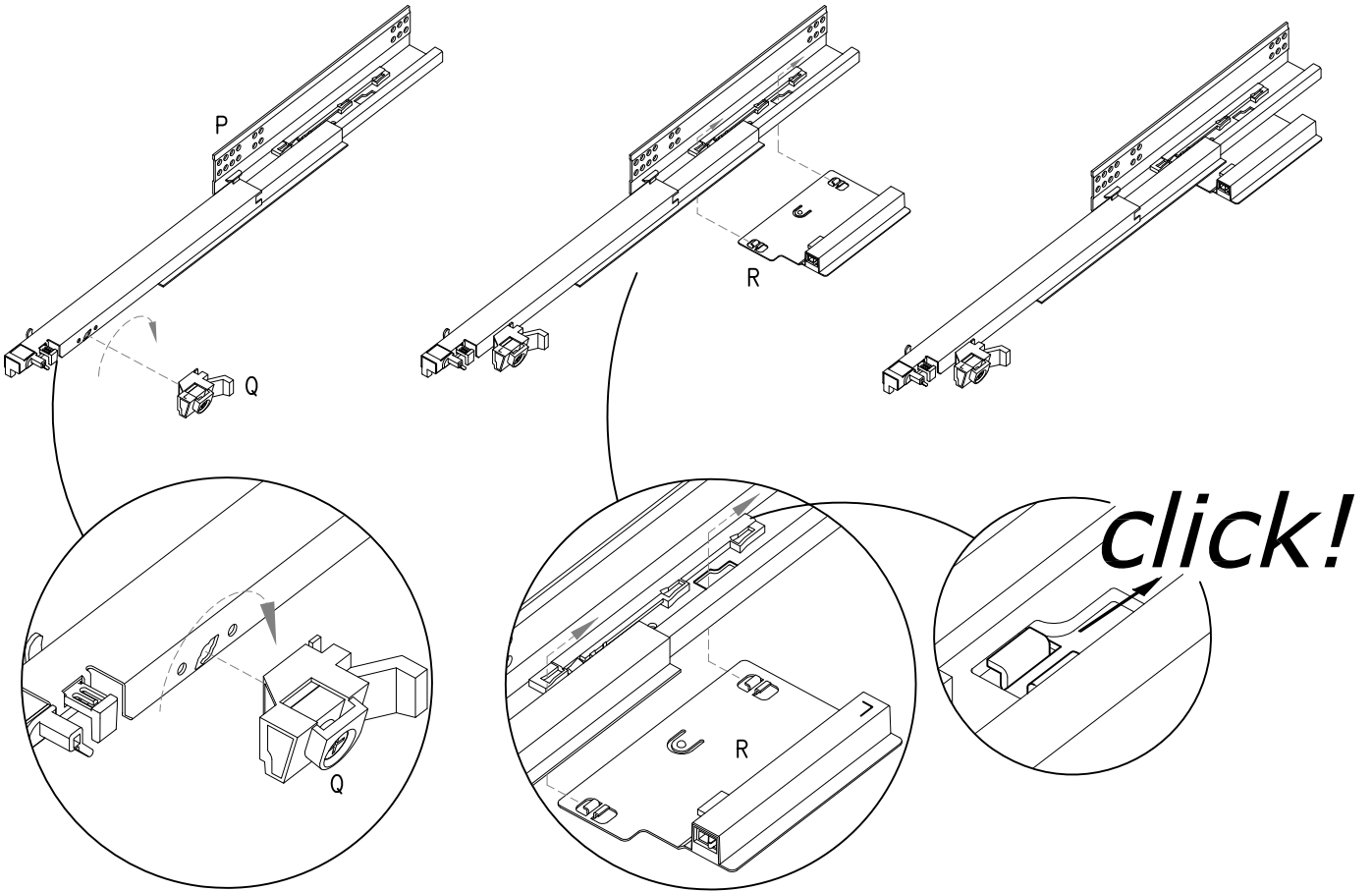


FIG. 7

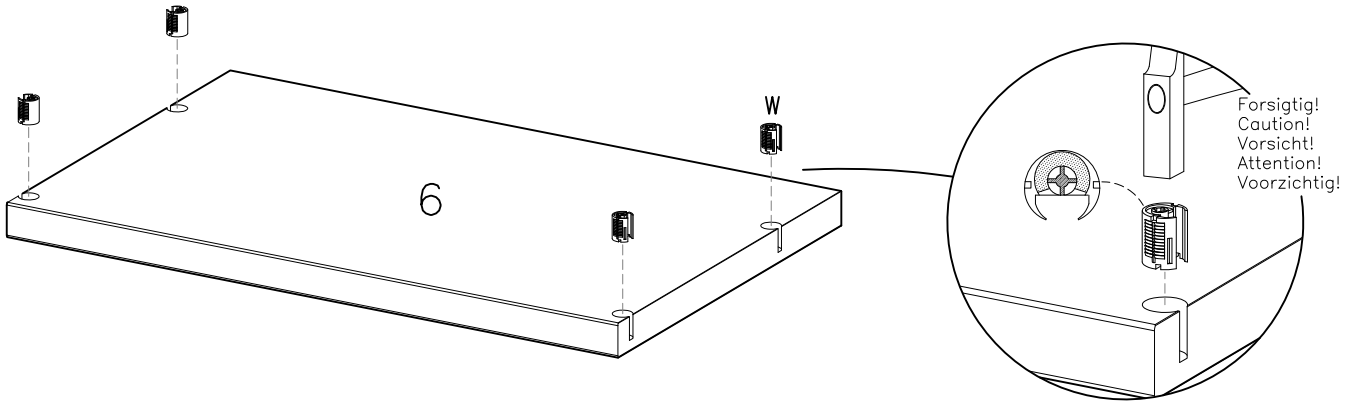
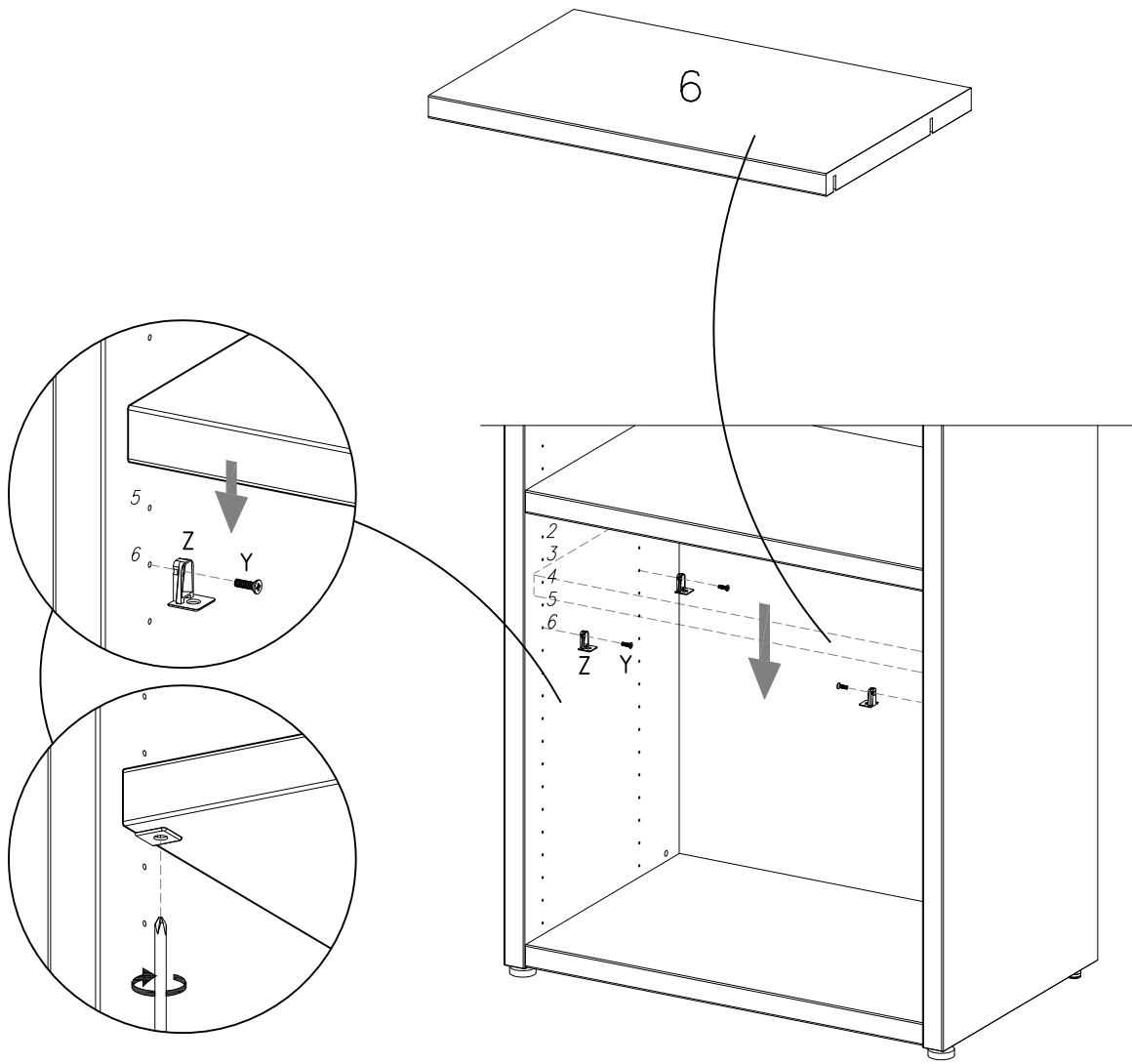
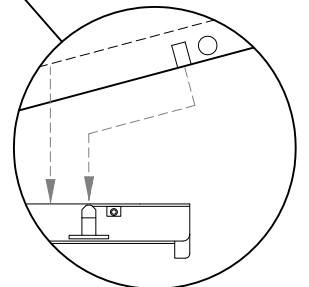
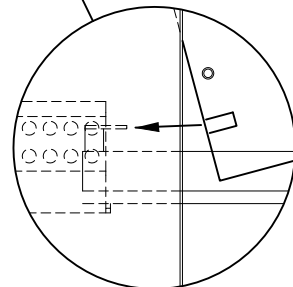
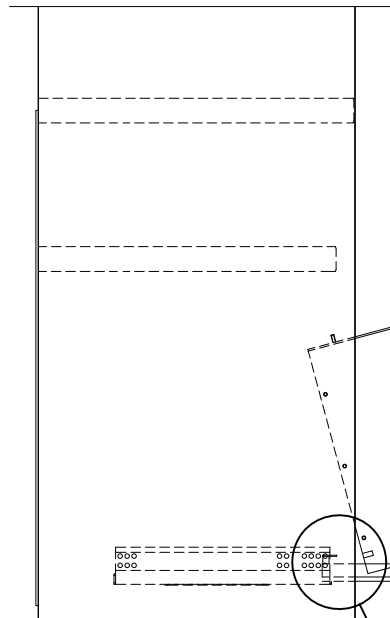
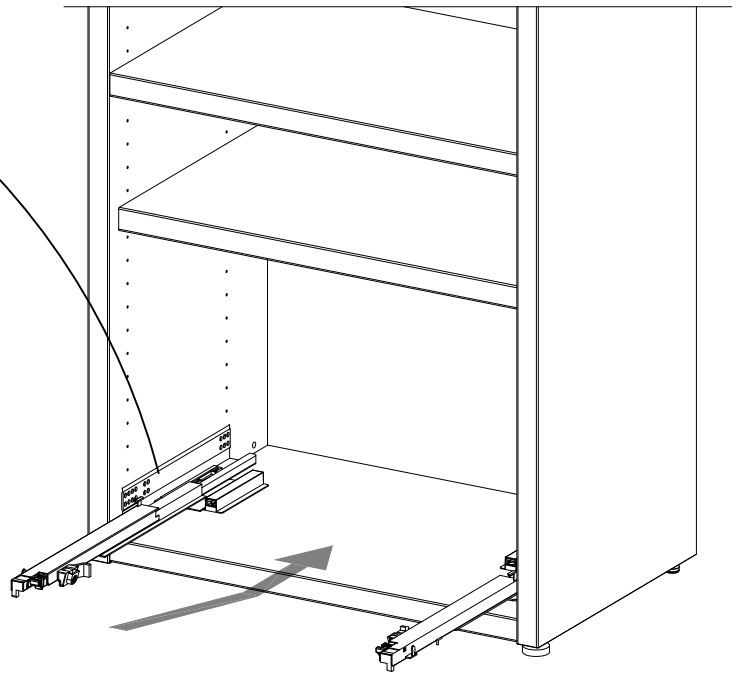
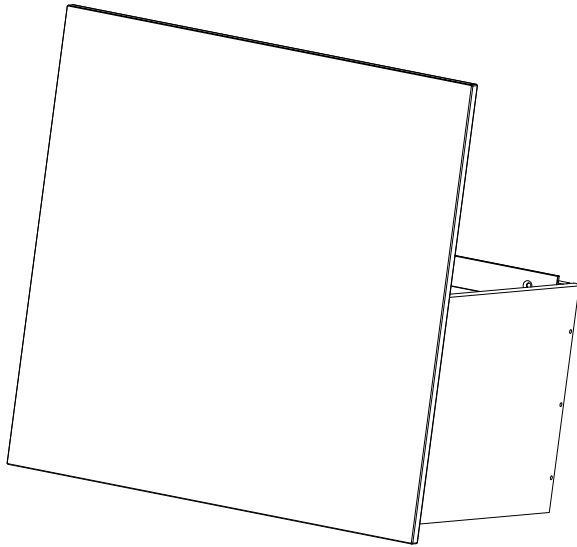
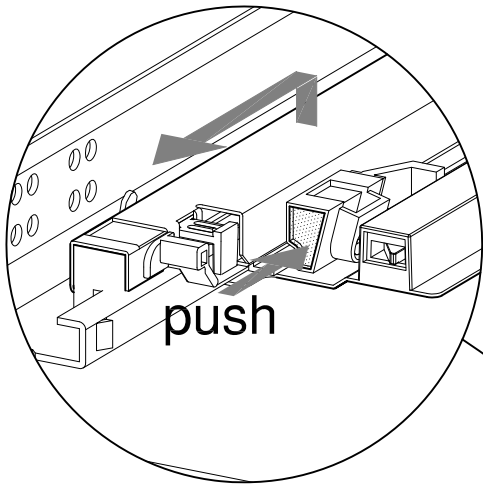
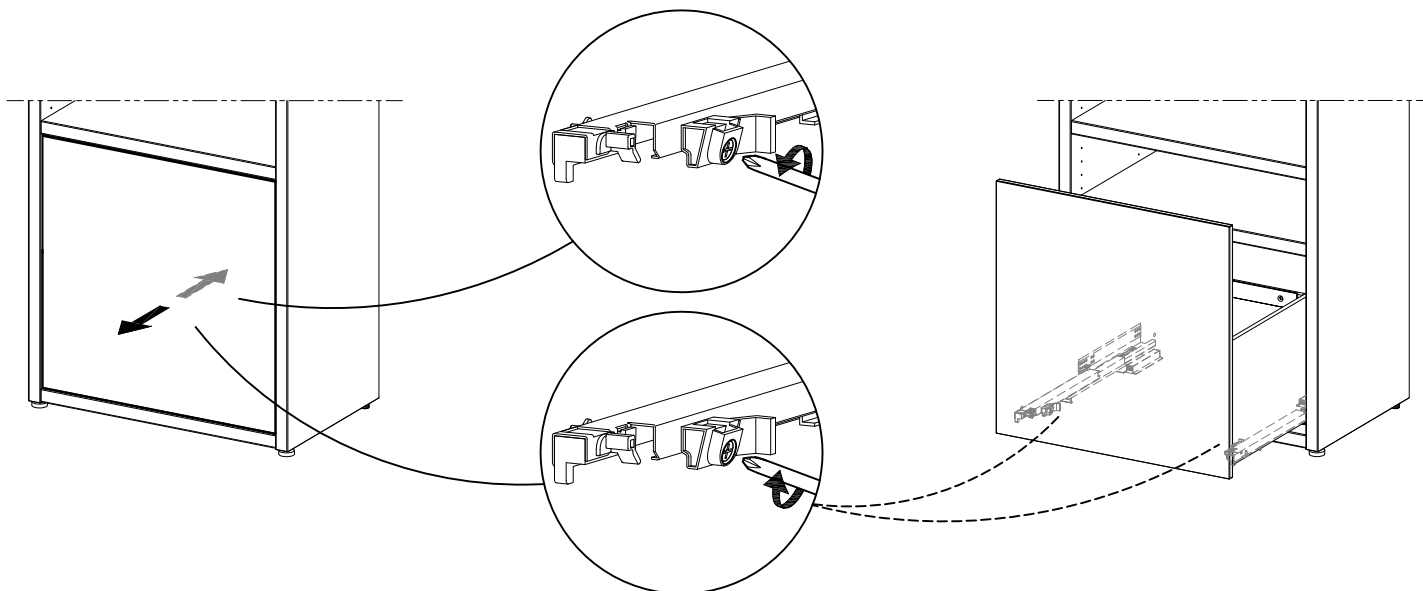
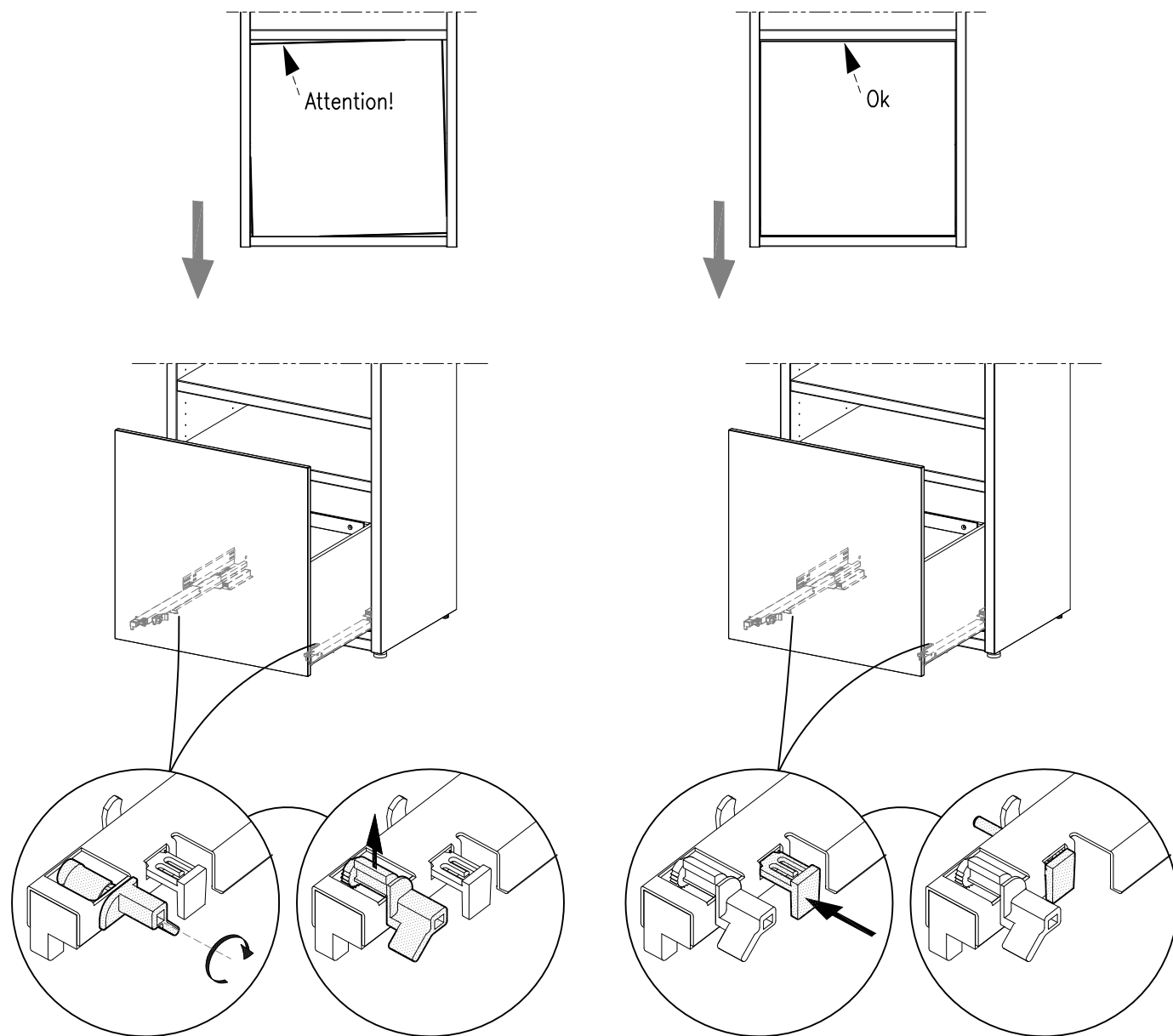
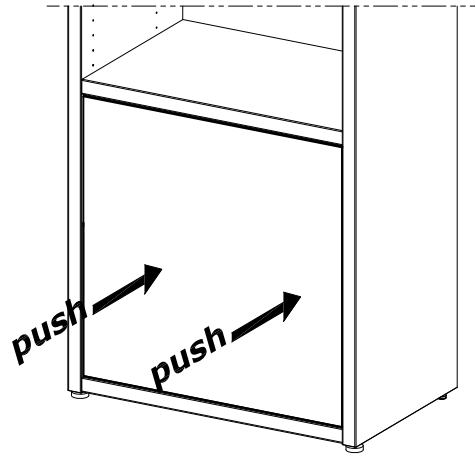


FIG. 8

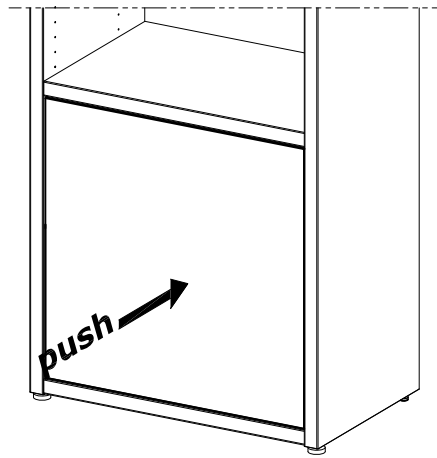








or



! DK Ved reklamation oplyses følgende:
 D Im Reklamationsfall, bitte folgendes erläutern:
 US In case of claims, please state the following:
 F En cas de réclamation, veuillez indiquer:
 NL Bij service volgene mededelen
 E En caso de reclamacion, indicar lo siguiente:
 P No caso de reclamação, por favor indique o seguinte:
 JP お気づきの点等ございましたら、以下の点をお知らせください。

Example!

