



Novak M d.o.o.  
Medical equipment

Brezovce 7  
1236 Trzin  
Slovenia  
www.novak-m.si  
e-mail: info@novak-m.si



T: +386 1 5620117  
F: +386 1 5620118

## TECHNICAL DESCRIPTION, USER MANUAL AND MAINTENANCE



### STRETCHER S

*Thank you for your trust.  
You have chosen a good product!*



## CONTENT

1. Safety and maintenance	2
2. Short overview	3
3. Technical description	3
4. User manual	4
5. Optional accessories	5
6. Declaration of conformity	6
7. Guarantee certificate	6

## 1. SAFETY AND MAINTENANCE

### Before the first use

- Remove the wrapping foil from the table. Do not use any sharp objects not to damage the upholstery
- Cut safety bands, which disable height adjustment during transport, at table base

### Safe use

- Trolley castors coated in rubber are not intended for transport outdoors.
- Do not place hands or feet between the moving parts of the table!
- Do not leave children unattended near the table as serious injuries can occur!
- Upholstery and metal parts are to be cleaned by a mixture of detergent and water and wiped dry. Use non-abrasive cleaners!
- Lubrication of moving parts is unnecessary!
- Product lifetime is 5 years.

### Package handling

- Wrapping is made of environment friendly material that can be recycled. Make sure all wrappings go to the right disposal.





## 4. USER MANUAL

- **height adjustment**

**LIFTING**

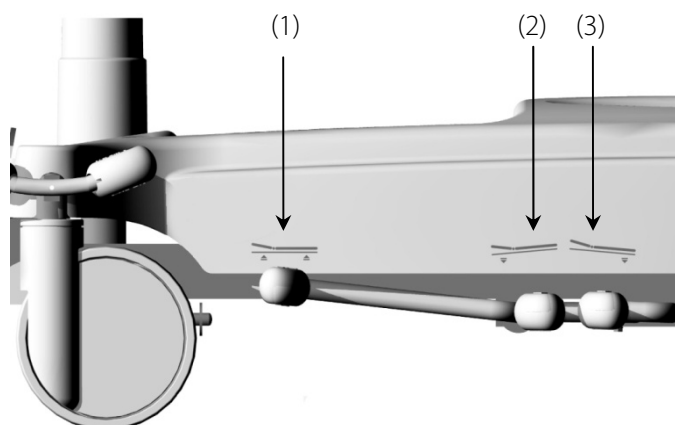
To lift the table, press the foot lever (1) on the left or right side of the table.

**LOWERING**

To lower the table, press on both foot levers at the same time (2 and 3).

**TRENDELENBURG AND ANTI-TRENDELENBURG POSITION**

To lower the head section, press foot lever (2).  
To lower the foot section, press the foot lever (3).



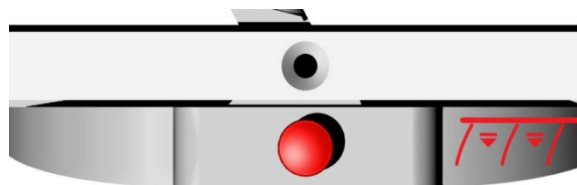
- **head section adjustment**

Press the lever, move the head section into desired position and release the lever.



- **safety rails**

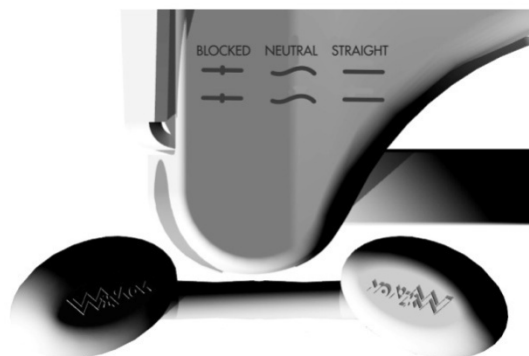
To place the rail into upright position, simply lift it. In the upper position safety pin gets stuck and prevents the rail from folding. To fold the rail, hold it and remove the pin then push the rail down.



- **Castors with central locking system:**

All four castors are blocked, restrained in direction or freed by pressing the foot lever at any of the four castors. Blocked castors do not turn.

Castors restrained in direction do not rotate around their axes. This function makes Stretcher S easy to manage. Freed castors can rotate in all directions.



- **Oxygen bottle holder**

Place the oxygen bottle and tighten it with an added band.



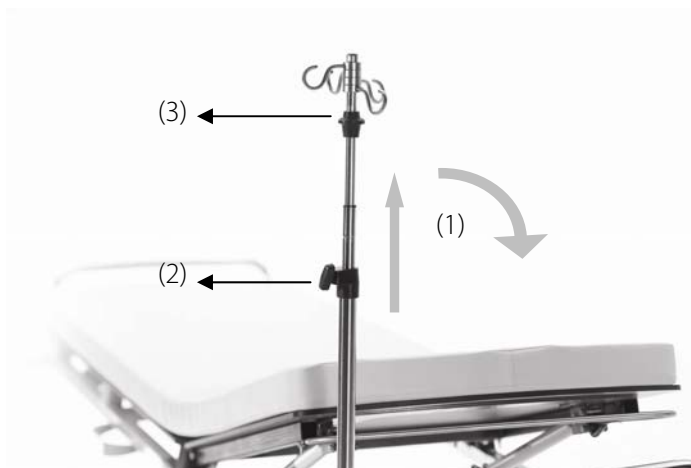
## 5. OPTIONAL ACCESSORIES

- **Fixation rail (LE6)**

Fixation rail is intended for attachment of optional accessories.

- **Infusion stand (SIF-STR)**

Infusion stand is attached and hidden on the head section. Before use, set the infusion stand into upright position where it gets stuck. After use, pull it lightly up and put it into horizontal position (1). Height is adjusted by means of a screw (2) or a patent for one hand height adjustment (3).




## 6. DECLARATION OF CONFORMITY

Manufacturer: **Novak M d.o.o.**  
Address: **Brezovce 7, 1236 Trzin, SLOVENIJA**  
Product: **Miza stretcher S**  
Model: **STRS**  
Classification (MDD, annex IX): **class I**

Hereby we declare that the stated products are in accordance with EC directives. All according documents are archived at manufacturer.

MEDICAL DEVICE DIRECTIVE: MDD 93/42/EGS

Trzin, 20.6.2008  
Name: Novak Miha  
Function: direktor  
Signature: 


## 7. GUARANTEE CERTIFICATE

product: Stretcher S

model: STRS

customer: \_\_\_\_\_

address: \_\_\_\_\_

producer's signature and stamp:  \_\_\_\_\_

distributor's signature and stamp: \_\_\_\_\_

service: Novak M d.o.o.

### Guarantee conditions:

Novak M d.o.o. offers a 48 months guarantee for its products commencing on the day of purchase. Guarantee for upholstery material is 12 months.

Should guarantee repairs be necessary the customer must inform the producer or an authorized dealer. The guarantee must be verified by purchase invoice.

The guarantee obligates Novak M d.o.o. to carry the costs of repair of all parts or components which might fail during normal use inside the guarantee period.

### Guarantee does not cover defects or poor performance:

- If a customer does not follow the requirements and recommendations set out in the user manual.
- Caused by unauthorized modification or attempted repair.
- Caused by customer's misuse or neglect.
- If some not genuine parts are build into the product.
- Caused during transport after the product is handed to the customer.

Guarantee repairs should be done in 45 days, otherwise the product is replaced.  
Repair and spare parts are available for 5 years from the date of purchase.