

Novak M d.o.o.  
Medical equipment

Brezovce 7  
1236 Trzin  
Slovenia  
[www.novak-m.si](http://www.novak-m.si)  
e-mail: [info@novak-m.si](mailto:info@novak-m.si)



T: +386 1 5620117  
F: +386 1 5620118

## TECHNICAL DESCRIPTION, USER MANUAL AND MAINTENANCE



### EXAMINATION TABLE S, EXAMINATION TABLE SL

*Thank you for your trust.  
You have chosen a good product!*



# CONTENT

1. Safety and maintenance	2
2. Short overview	3
3. Technical description	4
4. User manual	5
5. Optional accessories	6
6. Declaration of conformity	7
7. Guarantee certificate	7

## 1. SAFETY AND MAINTENANCE

### Electric safety

- Connect the table to the power supply so that its power cable goes directly from its actuator to the power socket!
- Power cables have to lie under the table base not to get stuck during moving any of the table parts!
- Do not open any electric parts!
- Leave all technical interventions to authorized staff not to damage the product!

### Safe use

- Do not place hands or feet between the moving parts of the table!
- Make sure that no object touches the circular switch before or during the use of the table!
- Do not step on circular switch (KS)!
- Do not push the castoring system lever while patient is on the table!
- Do not leave children unattended near the table as serious injuries can occur!
- Upholstery and metal parts are to be cleaned by a mixture of detergent and water and wiped dry. Use non-abrasive cleaners!
- Lubrication of moving parts is unnecessary!
- Product lifetime is 5 years.

### Package handling

- Remove the wrapping foil from the table. Do not use any sharp objects not to damage the upholstery.
- Cut safety bands, which disable height adjustment during transport, at table base (with hydraulically adjusted tables and tables with optional accessory KS).
- Wrapping is made of environment friendly material that can be recycled. Make sure all wrappings go to the right disposal.

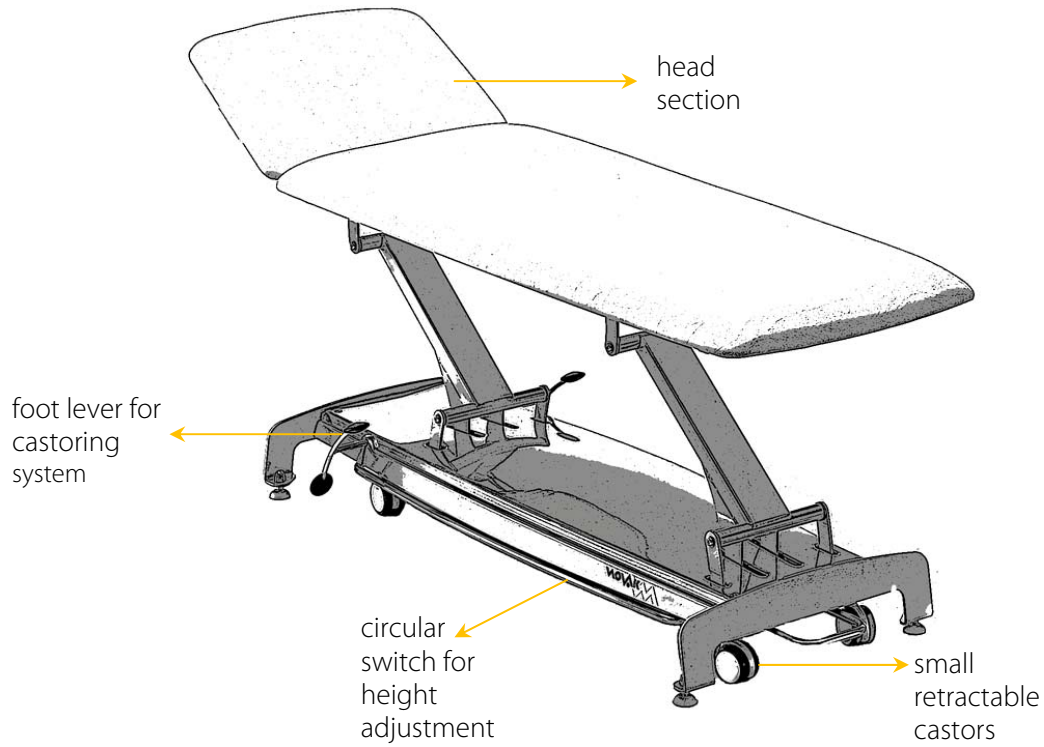
### Before the first use

- Ensure the stability of the table by screwing or unscrewing the four white plastic legs. Then fasten the nuts with an open-end wrench no. 17.

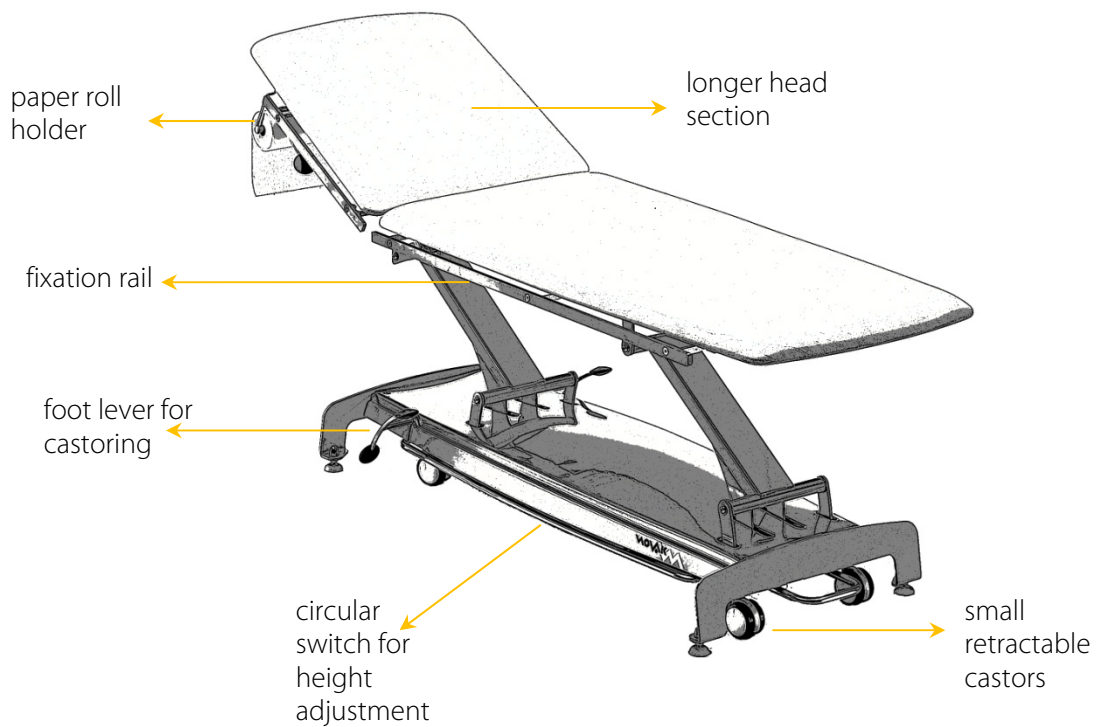


## 2. SHORT OVERVIEW

### Examination table S



### Examination table SL



### 3. TECHNICAL DESCRIPTION

	PMS-H	PMS-E	PMSL-H	PMSL-E
<b>table length</b>	2000 mm		2050 mm	
<b>table width</b>	65 or 75 cm		65 or 75 cm	
<b>table height</b>	from 44 to 92 cm		from 44 to 92 cm	
<b>head section length</b>	460 mm		680 mm	
<b>leg section length</b>	1540 mm		1370 mm	
<b>table weight (depends on equipment)</b>	+/- 60 kg		+/- 60 kg	
<b>head section adjustment</b>	lockable gas spring		lockable gas spring	
<b>height adjustment</b>	linear hydraulic pump	linear motor	linear hydraulic pump	linear motor
<b>motor characteristics:</b>	---	Voltage: 220-230V~, 50Hz current: max 1.5A working cycles: 10% (max. 6min/h of constant work) Power: 200W	---	Voltage: 220-230V~, 50Hz current: max 1.5A working cycles: 10% (max. 6min/h of constant work) Power: 200W
<b>upholstery material</b>	Imitation leather (color chart I, II, III, in IV.)		Imitation leather (color chart I, II, III, in IV.)	
<b>weight capacity</b>	180 kg		180 kg	
<b>in series</b>	MK1 – small, retractable castors	MK1 – small, retractable castors KS – circular switch	MK1 – small, retractable castors	MK1 – small, retractable castors KS – circular switch

<b>optional accessories:</b>	PMS-H	PMS-E	PMSL-H	PMSL-E
<b>safety rails</b>	OOL2		OOL3	
<b>infusion pole for safety rails</b>	SIF3		SIF3	
<b>fixation rail</b>	LE1		LE2	
<b>side table</b>	MOL		MOL	
<b>foot switch</b>	---	NS	---	NS
<b>drop-away opening for ultrasound examination</b>	OUZ		---	
<b>antistatic castors</b>	AC		AC	
<b>armrest</b>	NZR		NZR	
<b>infusion stand</b>	SIF1		SIF1	
<b>infusion pole</b>	SIF2		SIF2	
<b>individually lockable castors</b>	VK2		VK2	
<b>thicker padding (6 cm)</b>	DO		DO	
<b>increased weight capacity (240 kg)</b>	ME1		ME1	
<b>paper roll holder</b>	NZIP3		NZIP3	
<b>paper roll holder at the back</b>	NZIP3-Z		NZIP3-Z	
<b>big castors with central locking system</b>	CK		CK	
<b>control safety switch</b>	---	EW	---	EW

--- not available





## 5. OPTIONAL ACCESSORIES

- **Big castors with central locking system (CK)**

To block, direct or free the castors, press the foot lever.



- **Antistatic castors (AC)**

Set as small castors. (MK1)

- **Fixation rail (LE1, LE2)**

Fixation rail is intended for attachment of optional accessories.

- **Side table (MOL)**

Side table is attached onto the fixation rail. Its position is adjusted by a screw.

- **Armrest (NZR)**

Armrest is attached onto the fixation rail. To change its position, un-tighten the screw under the table top, set the armrest and fasten the screw.

- **Paper roll holder (NZIP3, NZP3-Z)**

Remove the stick from the holder, put on a roll of paper and put the stick back.

- **Foot switch (NS)**

To lift or lower the table, press the appropriate button as shown on the switch. When desired height is reached, release the button



- **Safety rails (OOL2, OOL3)**

To place the rail into upright position, simply lift it. In the upper position safety pin gets stuck and prevents the rail from folding. To fold the rail, hold it and remove the pin then push the rail down.

- **Infusion pole (SIF1, SIF2, SIF3)**

Infusion pole is attached on head section (SIF1) on to left or right side, on fixation (SIF2) or safety (SIF3) rails. Height is adjusted by a screw.

- **Individually lockable castors (VK2)**

Each individual castor includes a brake. To block a castor press the small lever and to unblock it, pull the lever into opposite direction. All for castors have to be blocked for the table to stand firmly.



- **Control safety switch (EVV)**

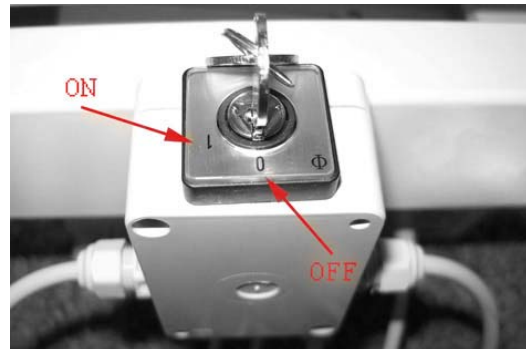
Examination table S can feature control safety switch - lock.

Description:

Position 0: table does not operate, height adjustment is not possible.

Position 1: height adjustment is possible.

Warning: Only when authorized personnel operate the table, the key should be in the lock, especially when



## 6. DECLARATION OF CONFORMITY

Manufacturer: **Novak M d.o.o.**  
Address: **Brezovce 7, 1236 Trzin, SLOVENIJA**  
Product: **Examination table s, Examination table SL**  
Model: **PMS.-H(E)-65 or 75 // PMSL-H(E)-65 or 75**  
Classification (MDD, annex IX): **class I**

Hereby we declare that the stated products are in accordance with EC directives. All according documents are archived at manufacturer.

MEDICAL DEVICE DIRECTIVE: MDD 93/42/EGS

Trzin, 20.6.2008  
Name:  
Function:  
Signature:

Novak Miha  
direktor

## 7. GUARANTEE CERTIFICATE

**product:** Examination table s, Examination table SL

**model:** PMS.-H(E)-65 or 75 // PMSL-H(E)-65 or 75

**customer:** \_\_\_\_\_

**address:** \_\_\_\_\_

**producer's signature and stamp:**

**distributor's signature and stamp:** \_\_\_\_\_

**service:** Novak M d.o.o.

### Guarantee conditions:

Novak M d.o.o. offers a 48 months guarantee for its products commencing on the day of purchase. Guarantee for upholstery material is 12 months.

Should guarantee repairs be necessary the customer must inform the producer or an authorized dealer. The guarantee must be verified by purchase invoice.

The guarantee obligates Novak M d.o.o. to carry the costs of repair of all parts or components which might fail during normal use inside the guarantee period.

### Guarantee does not cover defects or poor performance:

- If a customer does not follow the requirements and recommendations set out in the user manual.
- Caused by unauthorized modification or attempted repair.
- Caused by customer's misuse or neglect.
- If some not genuine parts are build into the product.
- Caused during transport after the product is handed to the customer.

Guarantee repairs should be done in 45 days, otherwise the product is replaced.  
Repair and spare parts are available for 5 years from the date of purchase.

