

- All the electrical products must be installed and maintained by the professional skilled person.
- Please read the specification carefully before the installation.
- Please shut off the power supply before installation.

Installation Manual

- Suitable for the Model: FLASH

1. Please preserve space between lights and control gear/ solid wall /ceiling. (Fig.1)
2. Connect main power cable and lights wiring.
 - ✧ Main power must be shut down.(Fig.2)
3. Push the spring upward, install lights onto ceiling (Fig.3)

- Input voltage: 220~230V/50Hz



Hole size: Ø158mm



FIG. 1

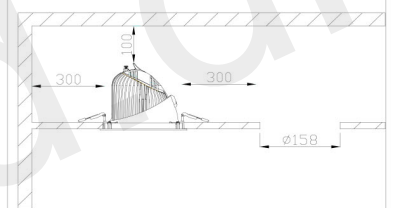


FIG. 2

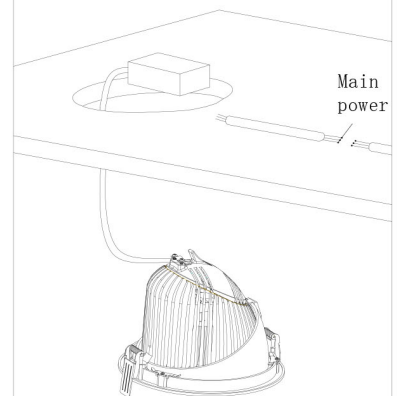


FIG. 3

