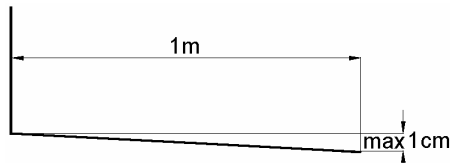


SHOWER WALL INSTALLATION MANUAL

<p>The wall package contains:</p> <ol style="list-style-type: none"> 1. Glass 2. U-laths (long and short) 3. Telescopic pipe set 4. Silicone 5. U-lath fastening screws (3,5x30) + dowels (5x25) – 5 pcs. 	<p>Following instruments are necessary:</p> <ol style="list-style-type: none"> 1. Measuring tape 2. Level 3. Drill + perforators (Ø5mm and Ø8mm) 4. Silicone pistol 5. Screwdriver 6. Marking tool
---	---



- **In case of frosted glass – if you install a right-handed door in addition to the shower wall, leave the frosted side to the outer side of the shower corner. If you install a left-handed door in addition to the shower wall, leave the frosted side to the inner side of the shower corner.**
- **Shower wall must be installed by two persons**
- **The glass edge should in no circumstances contact tough floor or wall, as this may cause glass break-up**
- **This manual assumes shower room walls to be straight and perpendicular. If the walls are not straight and perpendicular, the measurements mentioned in this manual should be changed according to actual situation when installing the shower cabin**
- **Maximum allowed floor slope is 1cm/1m**



- **The shower cabin can be installed on floor as well as on shower base with appropriate size**
- **Before drilling holes in wall check that there are no wires or water pipes in drilling place**
- **The supplied dowels may be used only on stone walls. If the wall is made of plasterboard or some other material, special dowels should be used**

1. When installing the shower wall, you should consider the width of shower door (80 or 90cm). Measure off **79cm** (door width 80cm) or **89cm** (door width 90cm) from the shower room corner and mark the wall. If you install the shower wall without door, you can choose the distance between the U-lath and the wall at your discretion (**79cm – 100cm**).
2. With the help of level, place the longer U-lath on the wall vertically. U-lath's edge should be on the same level with marked dot and U-lath's end should rest against floor (**Figure 1**). Mark the lath's holes on the wall and take the lath away from the wall (if the marks are on edges of ceramic tiles, try to turn the lath and make new marks).
3. Drill holes in marked places (Ø5mm, depth 30-35mm). Do not use drill's percussion mode in order to avoid tile break-up. Then **blow dust off the holes**, push the dowels into the holes, and ensure that the **outer end of dowel does not jut out of the wall**.
4. Place the lath on the wall and fix it with screws.
5. Place the shorter U-lath on the floor, set lath's end against the U-lath fixed on the wall. Place the U-lath in parallel with the opposite wall at a distance of **79cm** (door width 80 cm) or **89cm** (door width 90cm) from the wall (**Figure 2**). If you install the shower wall without door, the distance between the shorter U-lath and the opposite wall should be the same as the distance between the U-lath on the wall and the opposite wall. Mark the lath's position on the floor and take the lath off the floor.

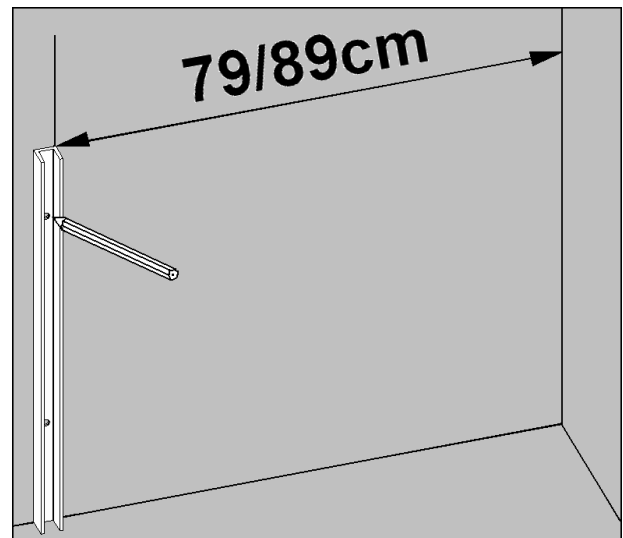


Figure 1

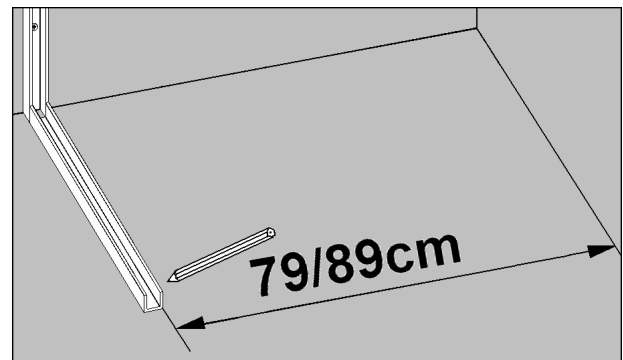


Figure 2

6. Clean the floor surface under the lath using spirit or acetone.
7. Remove protective film from the U-lath's double-sided tape and place the lath on the floor in to the marked position. Press the lath strongly and evenly during about 30 sec.
8. Make an even silicone stripe with 6mm diameter in the U-laths fixed on the wall and on the floor (**Figure 3**).

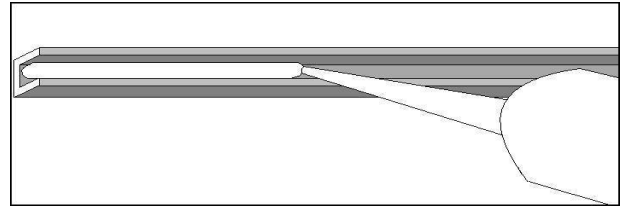


Figure 3

9. Place the shower wall glass in U-laths and press it towards the wall, so that silicone should stick the glass (**Figure 4**). Do not push the glass too strongly towards the U-lath fixed on the wall as this may cause glass break-up! With the help of level, ensure vertical position of the glass edge (**Figure 5**). If necessary, place auxiliary wedges between glass and U-lath. Remove excessive silicone extruded out of the laths.

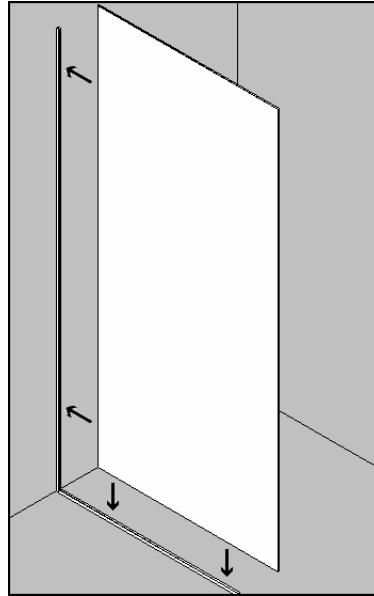


Figure 4

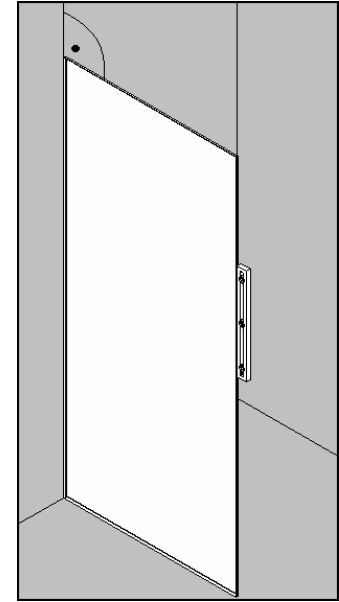


Figure 5

10. Place the telescopic tube as follows:
 - The tube should be at right angles to the wall and it should be fixed on the glass at a maximum distance of 20cm from the glass corner (**Figure 6**).
 - In order to fasten the tube, you need to drill a dowel hole in the wall ($\varnothing 8\text{mm}$, depth 45-50mm), the hole's center should be situated 17mm above the upper edge of glass. Push the dowel into the hole and ensure that the outer end of dowel does not jut out of the wall.
 - Fix the telescopic tube wall plug on the wall.
 - Place one end of the telescopic tube into the wall plug and the other end on the upper edge of glass. Be sure to place cushions supplied with the tube between the glass and tube brace in order to avoid contact between glass and metal.
 - With the help of level, ensure vertical position of glass and then fix the tube.

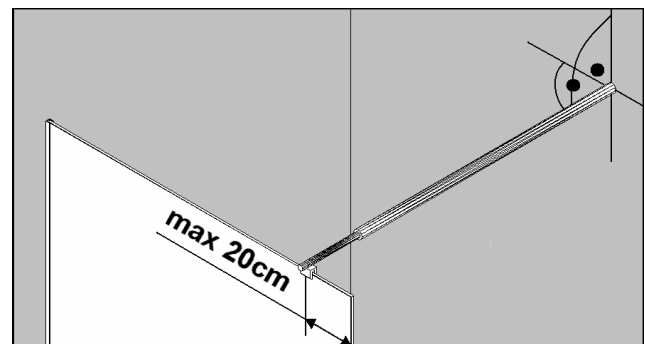


Figure 6

11. Fill U-lath edges with even silicone stripe inside the shower room (**Figure 7**). Remove excessive silicone. Silicon shall dry completely in 24H. Do not spill water over silicone until it is completely dry.



Figure 7

Andrese Klaasi ja Dekoori AS

Betooni 7/9, Tallinn 11415
 Telefon: 6 061 320
 Faks: 6 061 332