

INSTALLATION MANUAL

*SAFERA Smart Stove Guard
with power control unit PCU3*

CONTENTS

1. Preparations
2. Installation
3. Troubleshooting
4. Optional: Installing the Water Leakage Sensor

Follow these instructions carefully and pay particular attention to the instructions marked in the following way:

WARNING

Follow instructions marked with a warning accurately to prevent injury to persons and damage to property.

ATTENTION

Follow instructions marked with a note carefully to prevent damage to property.

HINT

Hints give you useful advices on using the appliance.

WARNINGS

WARNING

Read user and installation manual before using or installing the appliance.

Install and check the application according to the instructions. SAFERA is not liable for any damages or expenses caused by inappropriate installation.

Check that the Stove Guard is compatible with the cooker (see section 1.1).

If the network cable is damaged, it must be replaced by the service personnel of the manufacturer or their representative to avoid hazards.

All electrical connections must be carried out by a qualified electrician.

ATTENTION

If the appliance was stored in a cold space, it must be allowed to warm up to room temperature before connecting it to electric network.

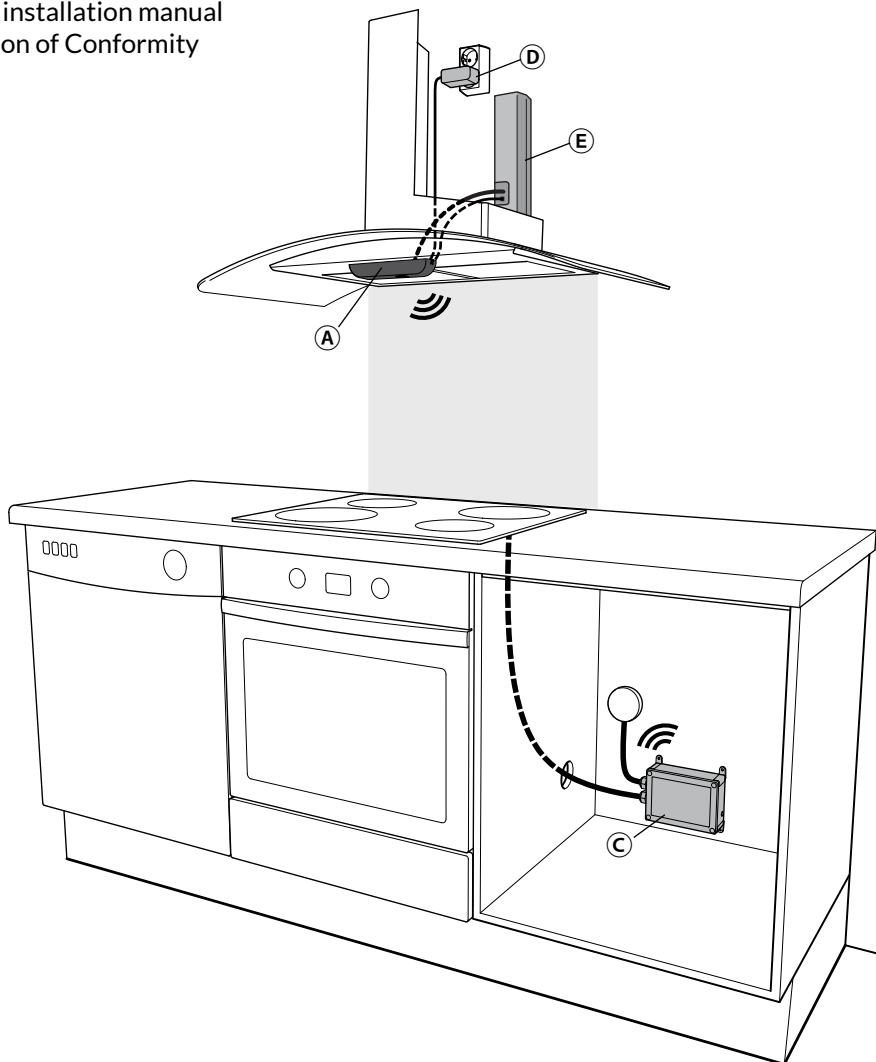
1. PREPARATIONS

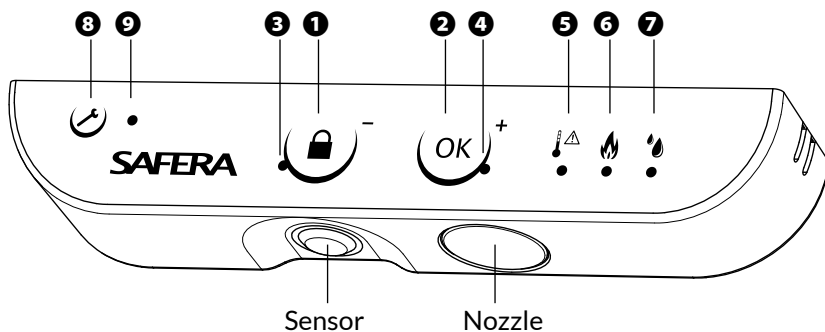
Check the product and the contents of the package before installation:

- Central Unit (pre-installed into a cooker hood) **(A)**
- Power Supply **(D)**
- Power Control Unit **(C)**
- Extinguishing Unit **(E)** (optional)
- User and installation manual
- Declaration of Conformity

▲ WARNING

Please contact your vendor if you notice anything unusual about the appliance.





2.1 Compatibility

SAFERA cooker guard is compatible with most electrical cookers, hobs and ovens meant for household use:

- Traditional cast-iron cookers and hobs
- Ceramic cookers and hobs
- Induction cookers and hobs
- Cookers and hobs equipped with a timer, afterheat indicator, child proof lock or integrated switch-off system

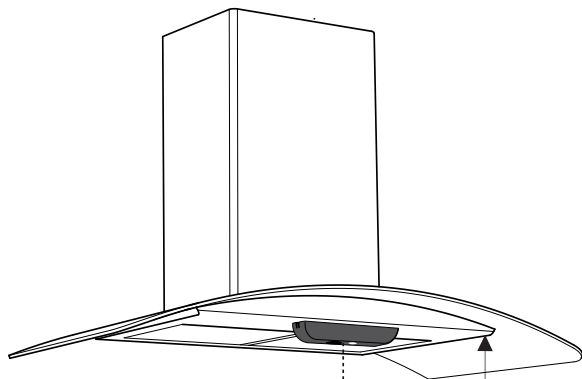
SAFERA Smart is compatible with cookers no wider than 90 cm, see installation step 1/6.

2.2 Control Panel

- 1** Child proof lock button
- 2** OK button
- 3** Indicator light for child proof lock
- 4** Indicator light for normal activity
- 5** Warning light for cooktop hazard
- 6** Warning light for cooktop fire (optional)
- 7** Warning light for water leakage
- 8** Adjustment mode button
- 9** Indicator light for service need

INSTALLATION - STEP 1/6 Mount the Central Unit

Install the cooker hood with Central Unit (A) according to the dimensions below even if they differ from the instructions of the hood:



Width

Align the Central Unit ± 15 mm with the centre of the cooktop.

Depth

Align the sensor of Central Unit (white lens) ± 100 mm with the centre of the cooktop.

With optional extinguisher unit (E):

Cooker width	Installation Height
Max. 60 cm	<input type="checkbox"/> 50 - 60 cm <input type="checkbox"/> 60 - 70 cm

Without extinguishing unit:

Cooker width	Installation Height
Max. 60 cm	45 - 75 cm
60 - 90 cm	60 - 75 cm

▲ WARNING

The extinguishing area is approx. 60 cm in diameter, when the installation height is in accordance with the table. The installation height has an effect on the size of the extinguishing area and the extinguishing capacity.

⚠ ATTENTION

The Central Unit (A) is plugged into the wall socket with its own power supply (D).

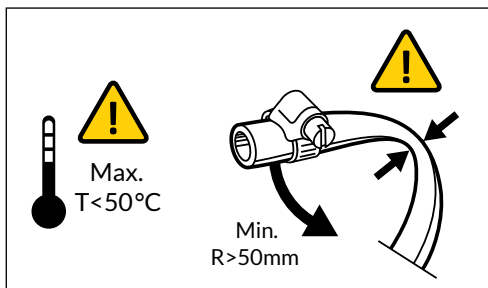
▲ WARNING

Make sure that the hose is not squeezed after the installation. Minimum radius for the hose is 50 mm.

Highest allowed operation temperature for extinguishing unit (E) is 50°C.

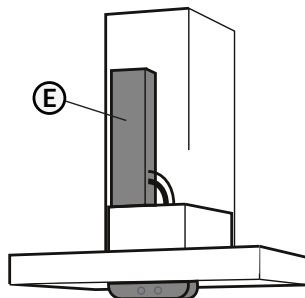
With some of the cooker hood models the extinguishing unit (E) is preinstalled in the factory: in that case ensure that the hose and the cable are properly connected.

Service and replacement of the extinguishing unit (E) may only be done by service authorized by SAFERA.

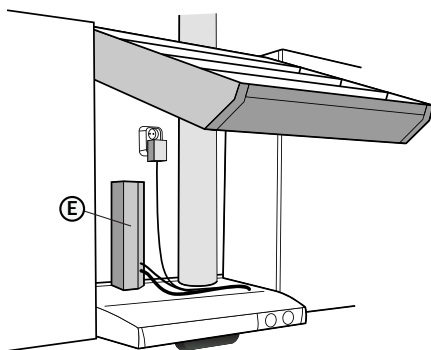


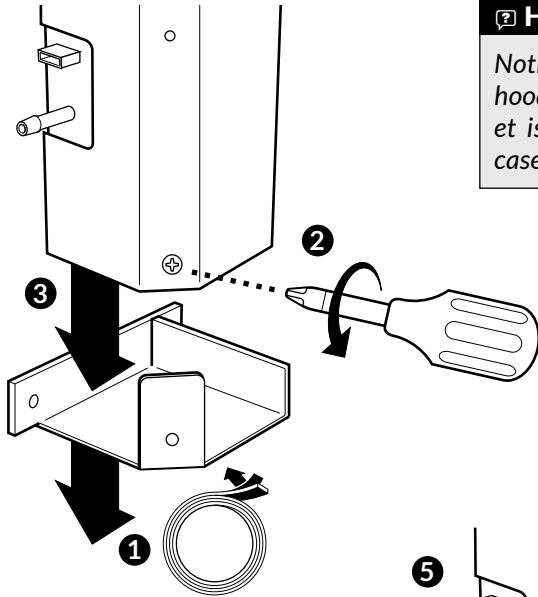
Install extinguishing unit (E) on top of the cooker hood according to the figures below (either A or B) and steps 1-6 on the figures on the right.

Option A



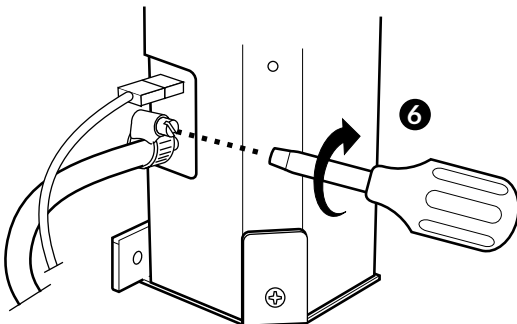
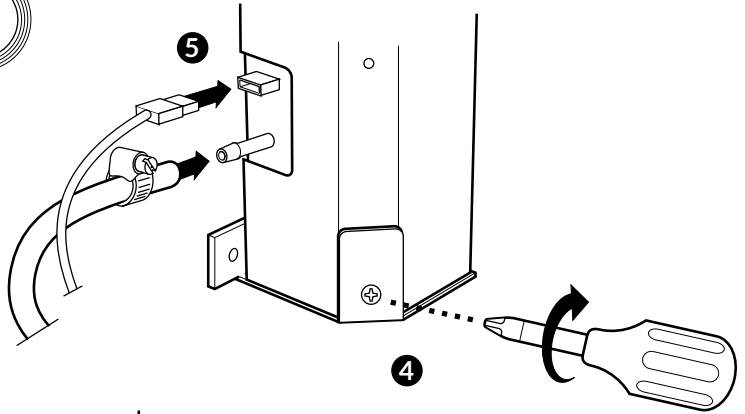
Option B





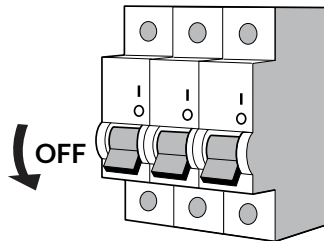
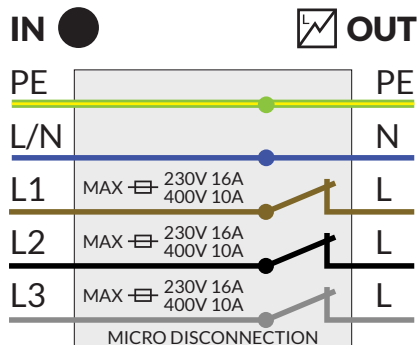
HINT

Notice in step 1: with some of the cooker hood models the extinguishing unit bracket is pre-installed in a factory - in that case start the mounting from step 2.



INSTALLATION - STEP 2/6 Mount the Power Control Unit ©.

Install the Power Control Unit PCU3.



▲ WARNING

Make sure that there is no power supply to the cooker and the oven by removing their fuses. Also ensure that the cooker is switched off.

OUT-wires are always energized when the power control unit is connected to the electrical network. If a wire is loose, it must be properly covered.

If the element voltage of the cooker is 400 V, the fuse can only be maximum of 10 A. If the element is 230 V, the fuse can only be maximum of 16 A.

Do not install the Power Control Unit to excessive heat: Operational ambient temperature is +5 ... +40°C.

⚠ ATTENTION

Power Control Unit requires a neutral wire to operate.

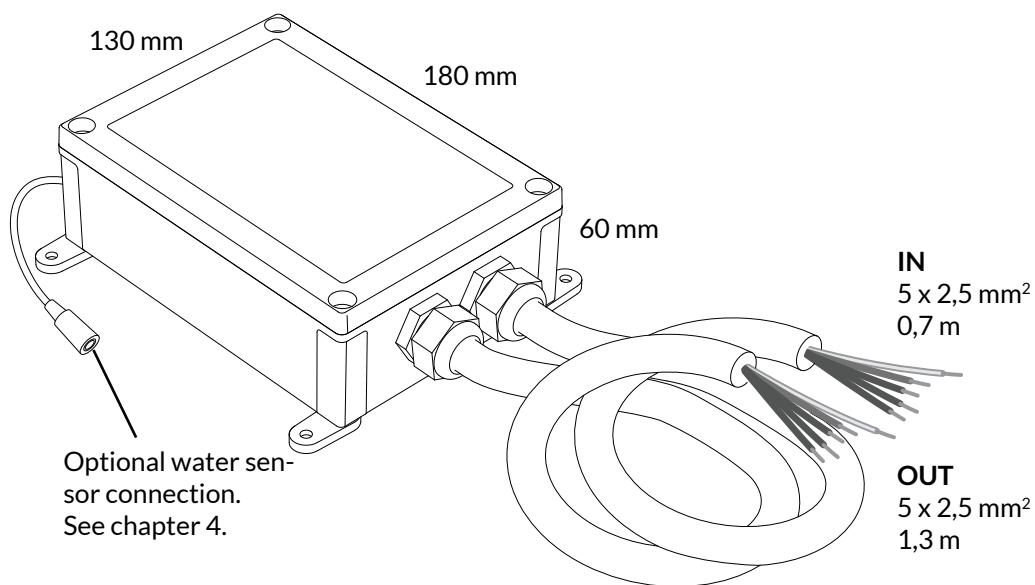
Install the power control unit © so that it is not exposed to moisture. Check that all cables can move freely.

💡 HINT

If you are replacing a cooker, press the adjustment mode button **7** for five seconds until you hear a signal. Continue the installation according to step 3/6.

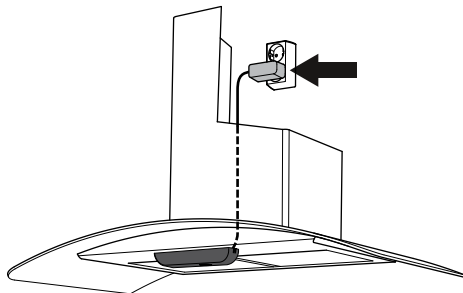
Installation

- 1 Mount the Power Control Unit on the wall behind the cooker or into the cabinet next to the cooker.
- 2 Couple the protective earth first (PE).
- 3 Couple the other wires.
- 4 Don't reconnect the power to the cooker yet.

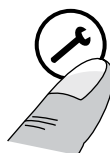


INSTALLATION - STEP 3/6 Set up the wireless connection

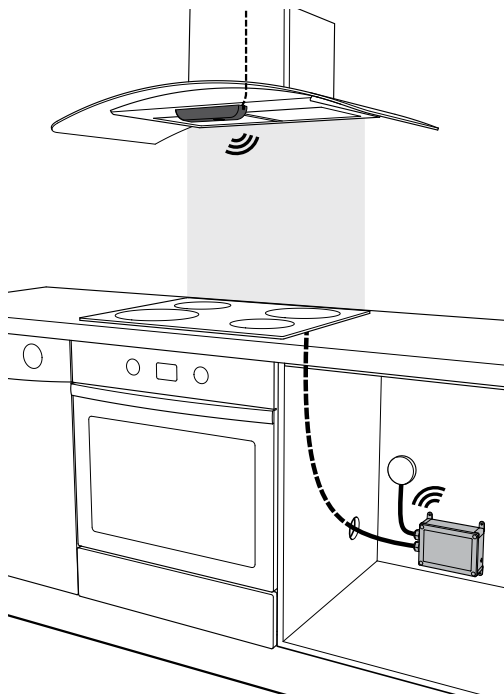
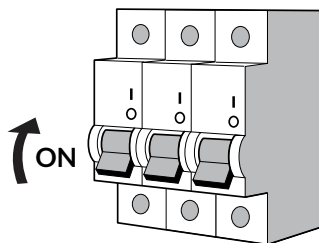
- 1** Connect the power supply **D** to the Central Unit **A**.



- 2** Press the adjustment mode button **3**: indicator lights **5**, **6** and **7** start blinking by turns.



- 3** Put back the fuses for the cooker and the oven. The Power Control Unit **C** will now contact the Central Unit **A** which gives a sound signal (•••).



HINT

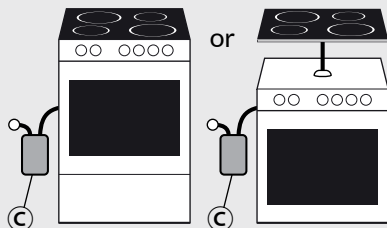
You can re-start the installation process anytime by pressing the adjustment mode button **3** for five seconds until you hear the signal.

INSTALLATION - STEP 4/6 Calibrate the system

1 When the indicator lights for child proof lock and normal activity (**3** and **4**) start blinking by turns, calibrate the cooker. Choose from the two options:

OPTION 1:

Cooker **and** oven are connected to the Power Control Unit (C).



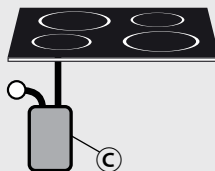
Turn on the oven and press the child proof lock button **1**. When you hear a sound signal (•••), turn off the oven.



or

OPTION 2:

Only cooktop is connected to the Power Control Unit (C).



Turn on the biggest cooker plate with maximum power and press the OK-button **2**. When you hear a sound signal (•••), turn off the cooker.



HINT

With induction cooker, use a compatible dish.

2 Check that the indicator light for normal activity **4** blinks every five seconds.

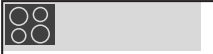

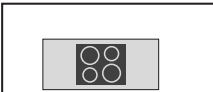
INSTALLATION - STEP 5/6 Adjust the alarm limit

1 Check the closest recommended alarm limit from the reference table on the right.

The range is 1-12:

1 = reacts fastest

12 = reacts slowest

Location of the Cooker	Installation Height	Alarm Limit (1-12)
 In a corner	75 cm	6*
	65 cm	7
	55 cm	8
	45 cm	9
 Next to a wall	75 cm	5
	65 cm	6*
	55 cm	7
	45 cm	8
 In an island	75 cm	4
	65 cm	5
	55 cm	6*
	45 cm	7

* Default

2 Adjust the alarm limit according to the reference table above.
The default alarm limit is 6.

First, go to the adjustment mode:

Press the adjustment mode button **3**: The indicator light for normal activity **4** lights up.



Then, adjust the alarm limit:

12
11
10
9
8
7



Raise the alarm limit (+1): press the OK-button **2**.



6 = default

5
4
3
2
1





Lower the alarm limit (-1): press the lock button **1**.



3 When you adjust the alarm limit, the new alarm limit is indicated as shown in the table on the right.

HINT

You may check the alarm limit by pressing the adjustment mode button **8** twice.

Warning lights	Number of beeps	Alarm Limit
 Red	••• •••	12
	••• ••	11
	••• •	10
	•••	9
	••	8
	•	7
 Green	••• •••	6 (default)
	••• ••	5
	••• •	4
	•••	3
	••	2
	•	1

▲ WARNING

Do not set the alarm limit higher than 9 during the installation.

If the alarm limit is set too high, the appliance may fail to detect a hazardous situation in time.

Check the working order of the appliance and fill in the installation checklist:








- All the burners of the cooker cause a child proof lock alarm.
- The oven (if connected) causes the child proof lock alarm. The sound signal is lower than the signal from the cooker child proof lock.
- The child proof lock turns off the oven and all the burners.
- The indicator light for service need **9** is not lit after installation.
- The alarm limit is set according to the cooker location

Installation date

Installation place

Installer

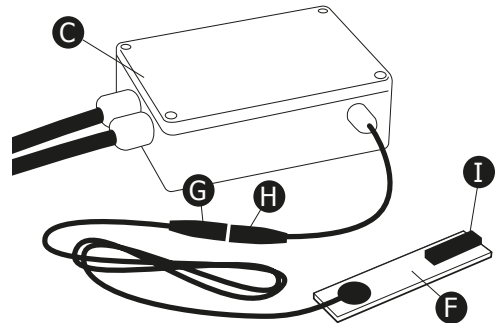
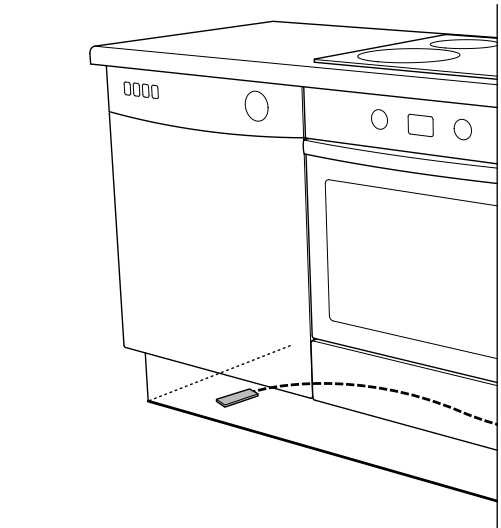
3. INSTALLATION TROUBLESHOOTING

Problem	Remedy
Installation is not proceeding as expected.	You can re-start the installation process anytime by pressing the adjustment mode button ⓑ for five seconds until you hear the signal and continue from step 3/6.
The central unit Ⓐ is not responding to any button and none of the indicator lights are lit.	Ensure that the power supply Ⓓ is connected correctly to the wall socket and that the socket has power.
None of the cooker plates cause a child proof lock alarm.	The wireless connection has not been properly made: redo the installation starting from step 3/6.
The appliance turns off the power from the cooker, but the power comes back on immediately.	Make sure that the Power Control Unit Ⓒ is connected correctly – in other words, the cooker is connected to the OUT cable.
<p>If the indicator light for service need Ⓣ is constantly lit, the appliance is faulty:</p> <p>Press the OK button Ⓜ to find out the problem type by the indicator lights (see on the right).</p> 	<p>Blinks once: Problem with the radio connection to the Power Control Unit Ⓒ.</p>  <p>Blinks twice: Power Control Unit Ⓒ malfunction.</p>  <p>Blinks three times: Power Control Unit Ⓒ overheated.</p> <hr/> <p>Blinks once: Sensor malfunction.</p>  <p>Blinks twice: The service cycle of the extinguisher unit Ⓔ is full. Please contact your vendor or SAFERA product support.</p>  <p>Blinks three times: Power supply Ⓓ malfunction.</p> <hr/> <p>Blinks once: The extinguisher unit Ⓔ is triggered and needs to be replaced. Please contact your vendor or SAFERA product support.</p>  <p>Blinks twice: The connection of the extinguisher unit Ⓔ is faulty.</p> 

4. INSTALLING THE WATER LEAKAGE SENSOR (optional)

Stove Guard can be equipped with max. four SAFERA Water Leakage Sensors. The sensors are placed in the typical leakage areas, e.g. under the dishwasher or sink.

- 1 Attach the sensors (F) in place.
- 2 Attach the plug (G) of the leakage sensor to the Power Control Unit (H).
- 3 If there is an extra sensor, its plug (G) is connected to the connector (I) of the previous sensor.
- 4 Check the operation of the furthest sensor (F) by placing a damp paper towel against it for 15 seconds. When the water is detected, the Central Unit (A) gives a sound signal and the warning light for water leakage (7) is blinking.
- 5 Reset the leakage alarm by pressing the OK button (2). Clean and dry the sensor.



HINT

If the sensor is left wet, the appliance will give another alarm in an hour after signing off the previous one.