

HITACHI

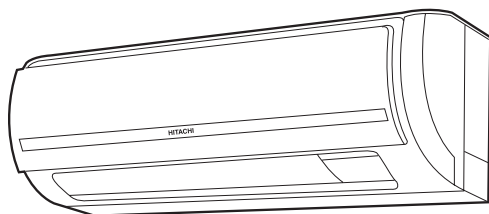
Inspire the Next

SERVICE

SM0285

RAS-08KH2 / RAC-08KH2
RAS-10KH2 / RAC-10KH2
RAS-14KH2 / RAC-14KH2

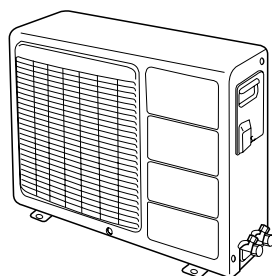
REFER TO THE FOUNDATION MANUAL



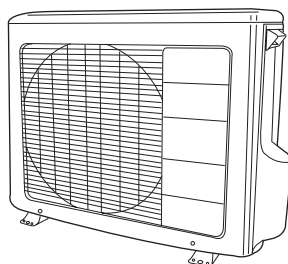
RAS-08KH2
 RAS-10KH2
 RAS-14KH2



RAC-08KH2
 RAC-10KH2



RAC-14KH2



SPECIFICATIONS

TYPE		(WALL TYPE)											
		INDOOR UNIT		OUTDOOR UNIT		INDOOR UNIT		OUTDOOR UNIT					
MODEL		RAS-08KH2		RAC-08KH2		RAS-10KH2		RAC-10KH2		RAS-14KH2		RAC-14KH2	
POWER SOURCE		1 PHASE, 50 Hz, 220-230-240V				1 PHASE, 50 Hz, 220-230-240V				1 PHASE, 50 Hz, 220-230-240V			
COOLING	TOTAL INPUT (W)	590-610-630				890-900-950				1060-1090-1120			
	TOTAL AMPERES (A)	2.80-2.80-2.80				4.20-4.10-4.10				5.00-5.00-4.90			
	CAPACITY	(kW)	2.10				2.90				3.50		
(B.T.U./h)		7,170				9,900				11,950			
HEATING	TOTAL INPUT (W)	490-510-530				740-770-810				960-1000-1050			
	TOTAL AMPERES (A)	2.30-2.30-2.30				3.50-3.50-3.50				4.60-4.60-4.60			
	CAPACITY	(kW)	2.20				3.00				3.85		
(B.T.U./h)		7,510				10,240				13,150			
DIMENSIONS (mm)	W	780	700	780	700	780	700	780	750				
	H	280	570	280	570	280	570	280	570				
	D	205	210	205	210	205	210	205	280				
NET WEIGHT (kg)		9.0		32		9.0		32		9.0		38	

※ After installation

SPECIFICATIONS AND PARTS ARE SUBJECT TO CHANGE FOR IMPROVEMENT

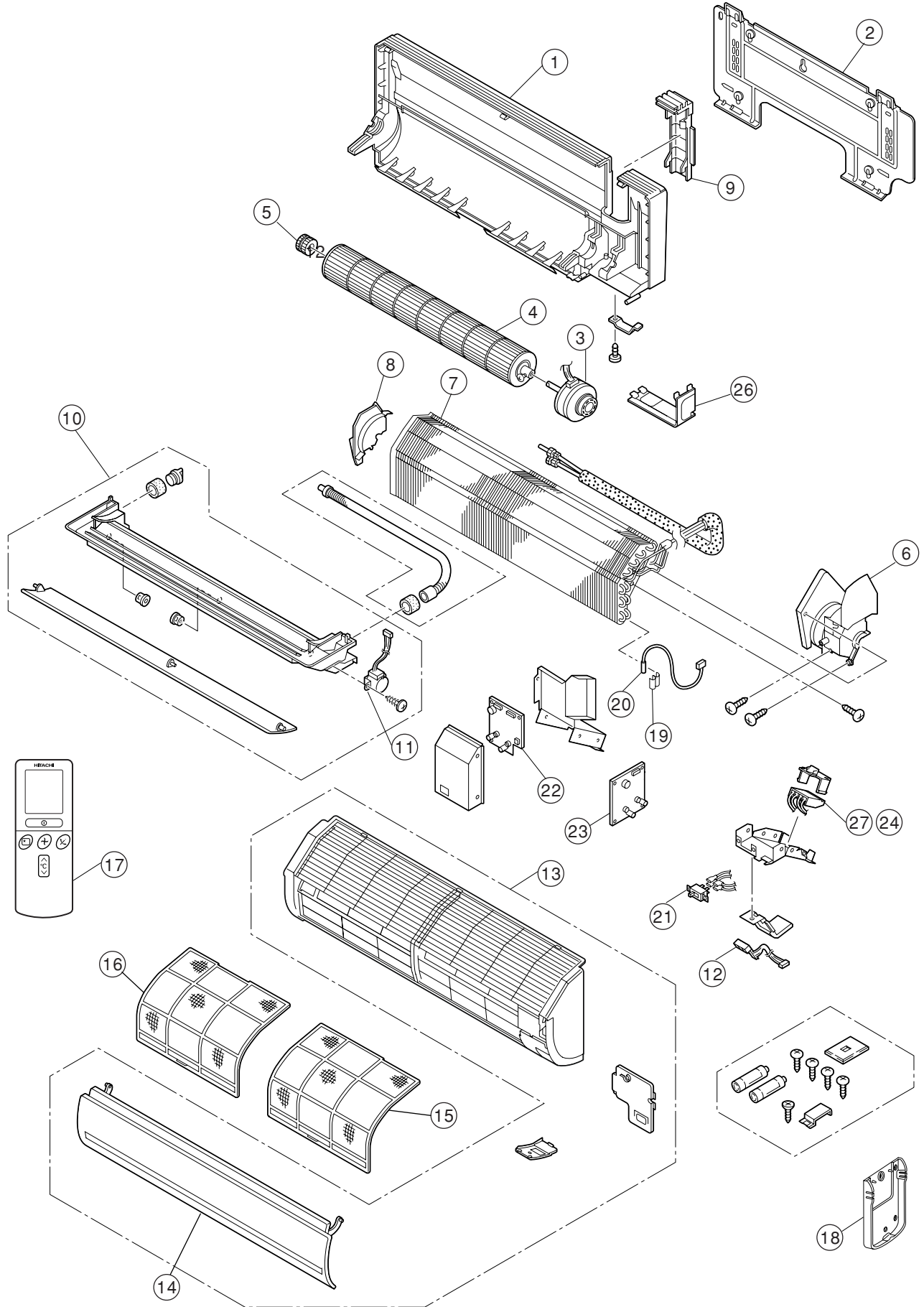
ROOM AIR CONDITIONER

INDOOR UNIT + OUTDOOR UNIT

PARTS LIST AND DIAGRAM

INDOOR UNIT

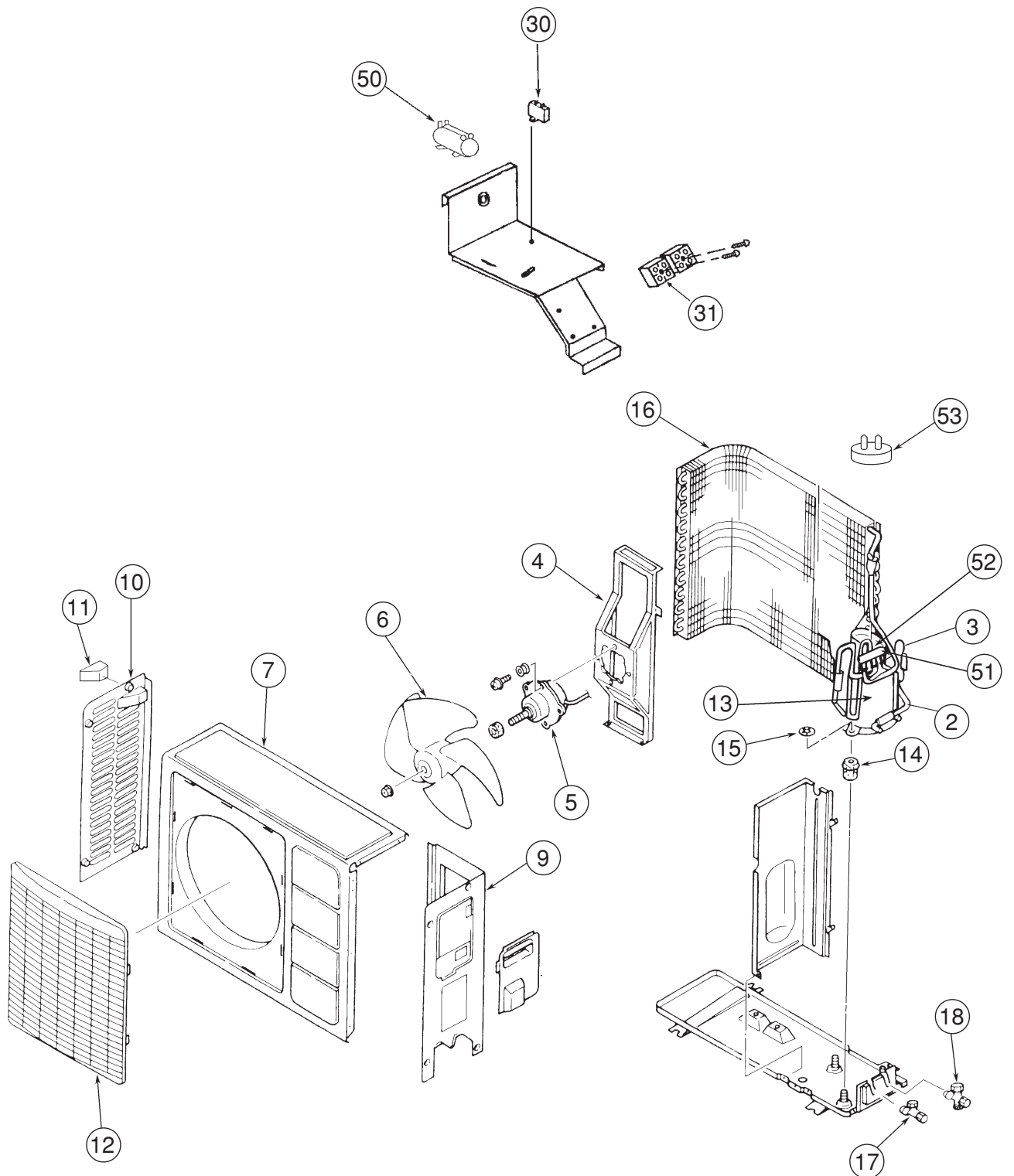
MODEL : RAS-08KH2 / RAS-10KH2 / RAS-14KH2



PARTS LIST AND DIAGRAM

OUTDOOR UNIT

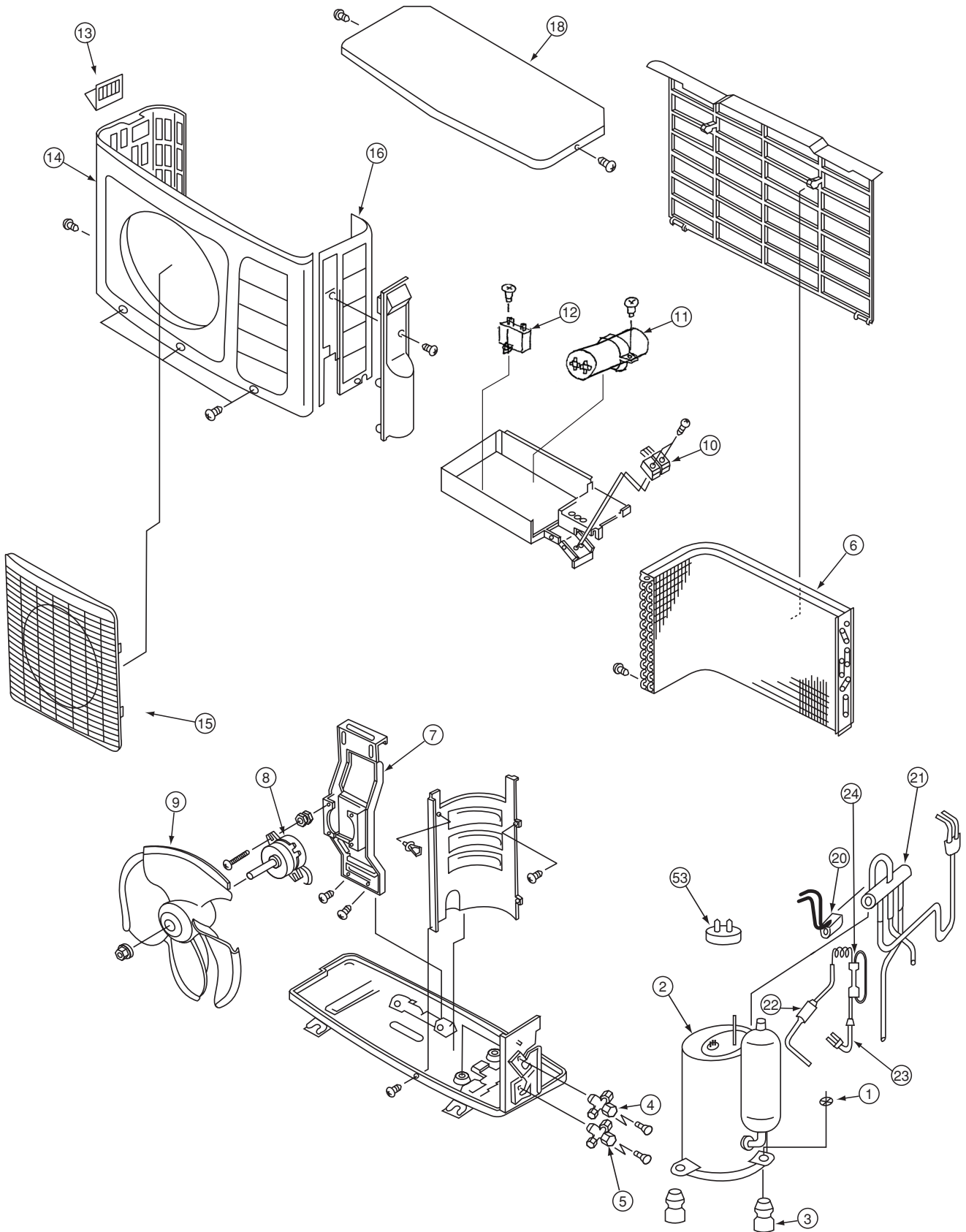
MODEL : RAC-08KH2 / RAC-10KH2



PARTS LIST AND DIAGRAM

OUTDOOR UNIT

MODEL : RAC-14KH2



GENERAL SERVICE

RAS-10KH2		
1	CABINET LIGHT GREY (ROHS)	HWRAS25YH4A01
2	MOUNTING PLATE (ROHS)	PMRAS25YH4S40
3	FAN MOTOR RRMB3795 20W (ROHS)*	PMRAS07GH4R01
4	TANGENTIAL FAN (ROHS)*	PMRAS25YH4S07
5	BEARING FAN ->HWRAS25YH4A08*	HWRAS25YH4908
6	SUPPORT FAN MOTOR (ROHS)	HWRAS25YH4A10
7	CYCLE ASSY (HEAT EXCH.) (ROHS)	PMRAS07GH4R02
8	COVER BEARING FAN (ROHS)	HWRAS25YH4A09
9	COVER UPPER	HWRAS25YH4914
10	DRAIN PAN W.AIR DEFLEC.WHITE *	PMRAS25YH4S26
11	MOTOR AUTO SWEEP (ROHS)	PMRAS25YH4S29
13	FRONT COVER ASSY WHITE (ROHS)	HWRAS25YH4A33
14	FRONT PANEL GRILLE WHITE(ROHS*	HWRAS25YH4A36
15	FILTER AIR RIGHT (ROHS)	HWRAS25YH4A37
16	FILTER AIR LEFT (ROHS)	HWRAS25YH4A38
17	REMOTE HANDSET RAR2P2 (ROHS) *	PMRAS51CHA1R11
18	SUPPORT REMOTE HANDSET >*	PMRAS10C3M003
19	SUPPORT THERMISTOR (ROHS)	PMRAS10C8MR03
20	THERMISTOR ASSEMBLY (ROHS)	PMRAS260GHAR01
21	SWITCH POWER (ROHS)	PMRAS25YH4S20
22	PWB MAIN+INDICATE/IR(11P)ROHS*	PMRAS09GH4R01
23	PWB POWER SUPPLY (ROHS)	PMRAS07GH4R04
24	TERMINAL BOARD (FUSE) (ROHS)*	PMRAS25YH4S16
26	COVER LOWER R -GREY-!!!! >>>*	HWRAS25YH4939
27	TERMINAL BOARD (ROHS)	PMRAS25YH4S17
-	COVER SWITCH/LED LIGHT GREY *	HWRAS25YH4935

GENERAL SERVICE

RAS-14KH2		
1	CABINET LIGHT GREY (ROHS)	HWRAS25YH4A01
2	MOUNTING PLATE (ROHS)	PMRAS25YH4S40
3	FAN MOTOR RRMB3795 20W (ROHS)*	PMRAS07GH4R01
4	TANGENTIAL FAN (ROHS)*	PMRAS25YH4S07
5	BEARING FAN ->HWRAS25YH4A08*	HWRAS25YH4908
6	SUPPORT FAN MOTOR (ROHS)	HWRAS25YH4A10
7	CYCLE ASSY (HEAT EXCH.) (ROHS)	PMRAS07GH4R02
8	COVER BEARING FAN (ROHS)	HWRAS25YH4A09
9	COVER UPPER	HWRAS25YH4914
10	DRAIN PAN W.AIR DEFLEC.WHITE *	PMRAS25YH4S26
11	MOTOR AUTO SWEEP (ROHS)	PMRAS25YH4S29
13	FRONT COVER ASSY WHITE (ROHS)	HWRAS25YH4A33
14	FRONT PANEL GRILLE WHITE(ROHS*	HWRAS25YH4A36
15	FILTER AIR RIGHT (ROHS)	HWRAS25YH4A37
16	FILTER AIR LEFT (ROHS)	HWRAS25YH4A38
17	REMOTE HANDSET RAR2P2 (ROHS) *	PMRAS51CHA1R11
18	SUPPORT REMOTE HANDSET >*	PMRAS10C3M003
19	SUPPORT THERMISTOR (ROHS)	PMRAS10C8MR03
20	THERMISTOR ASSEMBLY (ROHS)	PMRAS260GHAR01
21	SWITCH POWER (ROHS)	PMRAS25YH4S20
22	PWB MAIN+INDICA/IR KIT (ROHS)	PMRAS14GH4R01
23	PWB POWER SUPPLY (ROHS)	PMRAS07GH4R04
24	TERMINAL BOARD (FUSE) (ROHS)*	PMRAS25YH4S16
26	COVER LOWER R -GREY-!!!! >>>*	HWRAS25YH4939
27	TERMINAL BOARD (ROHS)	PMRAS25YH4S17
-	COVER SWITCH/LED LIGHT GREY *	HWRAS25YH4935

RAC-10KH2		
1	VALVE CHECK (ROHS)	PMRAC09GH4S04
2	STRAINER CAPILLARY	PMRAC07GH4907
3	STRAINER CONDENSER	PMRAC09GH4905
4	SUPPORT FAN MOTOR (ROHS)	PMRAC05CVS01
5	FAN MOTOR RRMB8C45 30W (ROHS)	PMRAC10C7S03
6	PROPELLER FAN (4 BLADE) >*	PMRAC25CNH2S02
7	CABINET (ROHS)	PMRAC09GH4S07
9	SIDE PLATE R *	PMRAC05CV906
10	SIDE PLATE L	PMRAC05CV907
11	HANDLE SIDE PLATE LEFT	PMRAC05CV908
12	GRILLE PROPELLER FAN (NEUTRAL)	PMRAC09CHA1903
13	COMPRESSOR 5PS112DAF	PMRAC09GH4901
14	RUBBER COMPRESSOR *	PMRA08GF904
15	NUT F.COMPRESSOR (ROHS)	PMRA08GFS05
16	CONDENSER (ROHS)	PMRAC09GH4S02
17	VALVE (2S) (ROHS)	PMRAC07GH4S04
18	VALVE (3S)	PMRAC07GH4905
30	CAP 2.5MF 450V (FAN MOT)(ROHS)	PMRAC10C7S04
31	TERMINAL BOARD (4P) (ROHS)	PMRAC51CHA1S03
50	CAP 25MF 450V (COMPR.) (ROHS)*	PMRAC10KHS01
51	VALVE REVERSING AXLE=11(ROHS)	PMRAC260GHAS01
52	COIL REVERSING VALVE (ROHS)	PMRAC260GHAS02
53	PROTECTOR OVERLOAD (ROHS)	PMRAC09GH4S06
-	COVER ELECTRIC 13X18CM *	PMRAC07CH2902

RAC-14KH2		
1	PUSH NUT COMPRESSOR (1P'CE) *	KPNT1001
2	COMPRESSOR 5PS132	PMRAC14GH4901
3	RUBBER COMPRESSOR *	RAC2226HV805
4	VALVE 2S	PMRAC25NH4904
5	VALVE 3S	PMRAC25NH4905
6	CONDENSER (ROHS)	PMRAC25NH4S01
7	SUPPORT FAN MOTOR (ROHS)	PMRAC51CA1S05
8	FAN MOTOR RRMB8906 30W (ROHS)	PMRAC18C7S01
9	PROPELLER FAN (4 BLADE) >*	PMRAC25CNH2S02
10	TERMINAL BOARD (4P) (ROHS)	PMRAC51CHA1S03
11	CAP 25MF 450V (COMPR.) (ROHS)*	PMRAC10KHS01
12	CAP 2.5MF 450V (FAN MOT)(ROHS)	PMRAC10C7S04
13	HANDLE	PMRAC14GH4902
14	CABINET (ROHS)	PMRAC51CA1S01
15	GRILLE PROPELLER FAN (NEUTRAL)	PMRAC09CHA1903
16	SIDE PLATE (R) (ROHS)	PMRAC14GH4S05
18	COVER TOP	PMRAC51CA1909
20	COIL REVERSING VALVE (ROHS)	PMRAC260GHAS02
21	VALVE REVERSING AXLE=11(ROHS)	PMRAC260GHAS01
22	STRAINER CAPILLARY	PMRAC14GH4903
23	STRAINER CONDENSER	PMRAC14GH4904
24	VALVE CHECK (ROHS)	PMRAC09GH4S04
53	PROTECTOR OVERLOAD (ROHS)	PMRAC14GH4S06

HITACHI

RAS-08KH2 / RAC-08KH2
RAS-10KH2 / RAC-10KH2
RAS-14KH2 / RAC-14KH2

SM0285