

HITACHI

SERVICE MANUAL

TECHNICAL INFORMATION

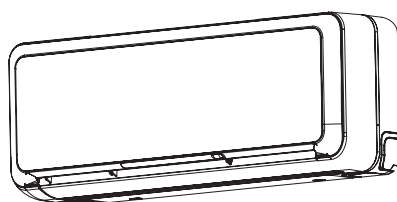
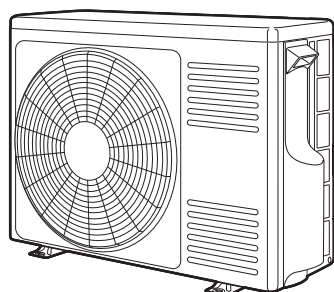
SM0016

RAS-D10EX3 / RAC-D10EX3
RAS-D14EX3 / RAC-D14EX3

REFER TO THE FOUNDATION MANUAL

INDOOR UNIT

OUTDOOR UNIT



RAS-D10EX3
RAS-D14EX3



RAC-D10EX3
RAC-D14EX3

SPECIFICATIONS

TYPE			DC INVERTER		INVERSEUR C.C.	
			INDOOR UNIT	OUTDOOR UNIT	INDOOR UNIT	OUTDOOR UNIT
MODEL			RAS-D10EX3	RAC-D10EX3	RAS-D14EX3	RAC-D14EX3
POWER SOURCE			1ø, 220V - 230V, 50Hz			
COOLING	TOTAL INPUT	(W)	580(155-1,290)		980(155-1,460)	
	TOTAL AMPERES	(A)	3.11-2.97		4.69-4.49	
	CAPACIT	(kW)	2.5(0.9-3.1)		3.5(0.9-4.0)	
		(B.T.U./h)	8,530(3,070-10,580)		11,940(3,070-13,650)	
HEATING	TOTAL INPUT	(W)	790(115-1,250)		1,010(115-1,440)	
	TOTAL AMPERES	(A)	3.99-3.82		4.84-4.63	
	CAPACITY	(kW)	3.4(0.9-4.4)		4.2 (0.9-5.0)	
		(B.T.U./h)	11,600(3,070-15,010)		14,330 (3,070-17,060)	
DIMENSIONS	(mm)	W	795	750(+91) ※	795	750(+91) ※
		H	295	548	295	548
		D	198	288(+47) ※	198	288(+47) ※
NET WEIGHT	(kg)	9.5	35	9.5	35	

※ After installation

SPECIFICATIONS AND PARTS ARE SUBJECT TO CHANGE FOR IMPROVEMENT
LES SPECIFICATIONS ET PIECES DETACHEES PEUVENT CHANGER POUR ETRE AMELIOREES.

ROOM AIR CONDITIONER

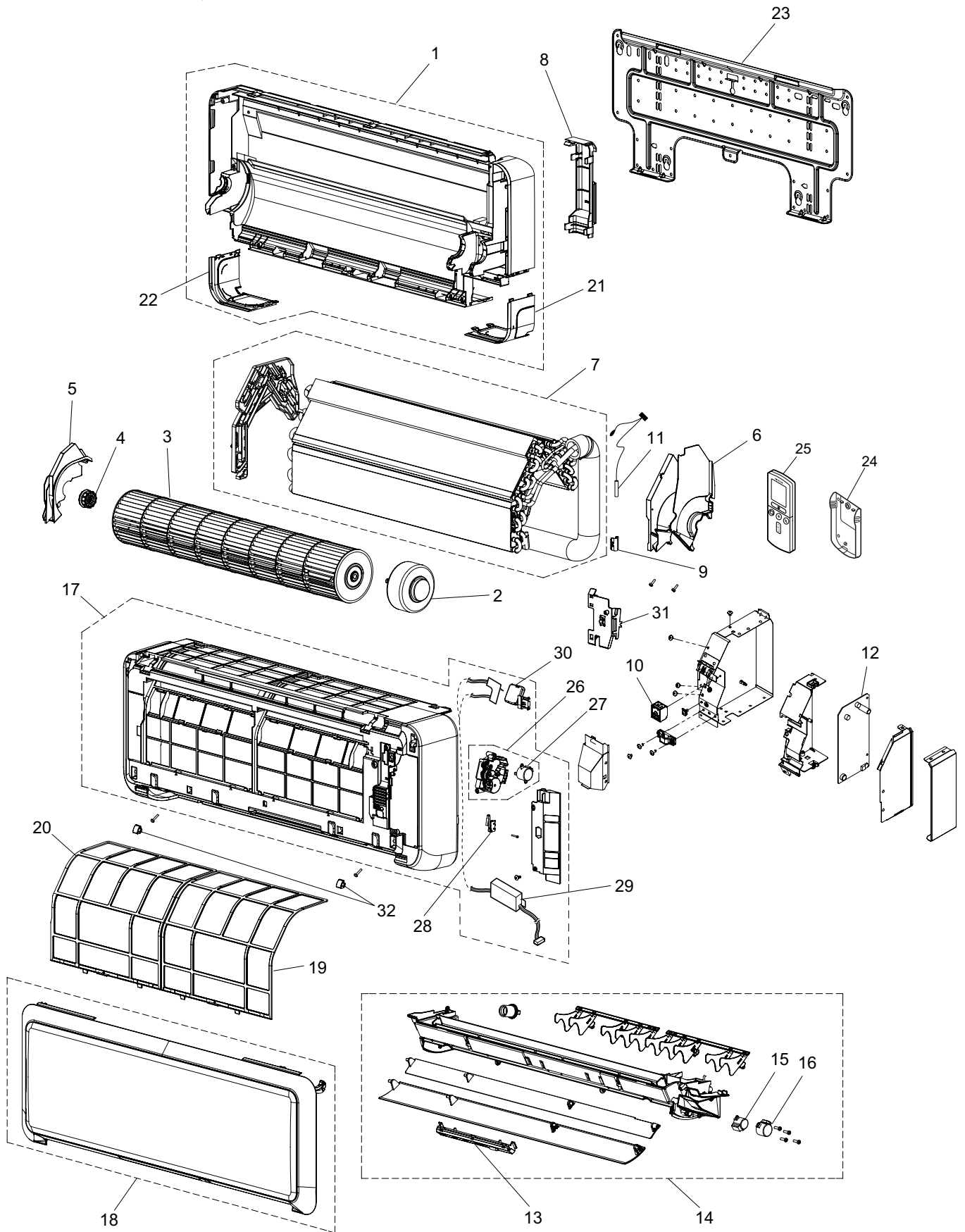
INDOOR UNIT + OUTDOOR UNIT

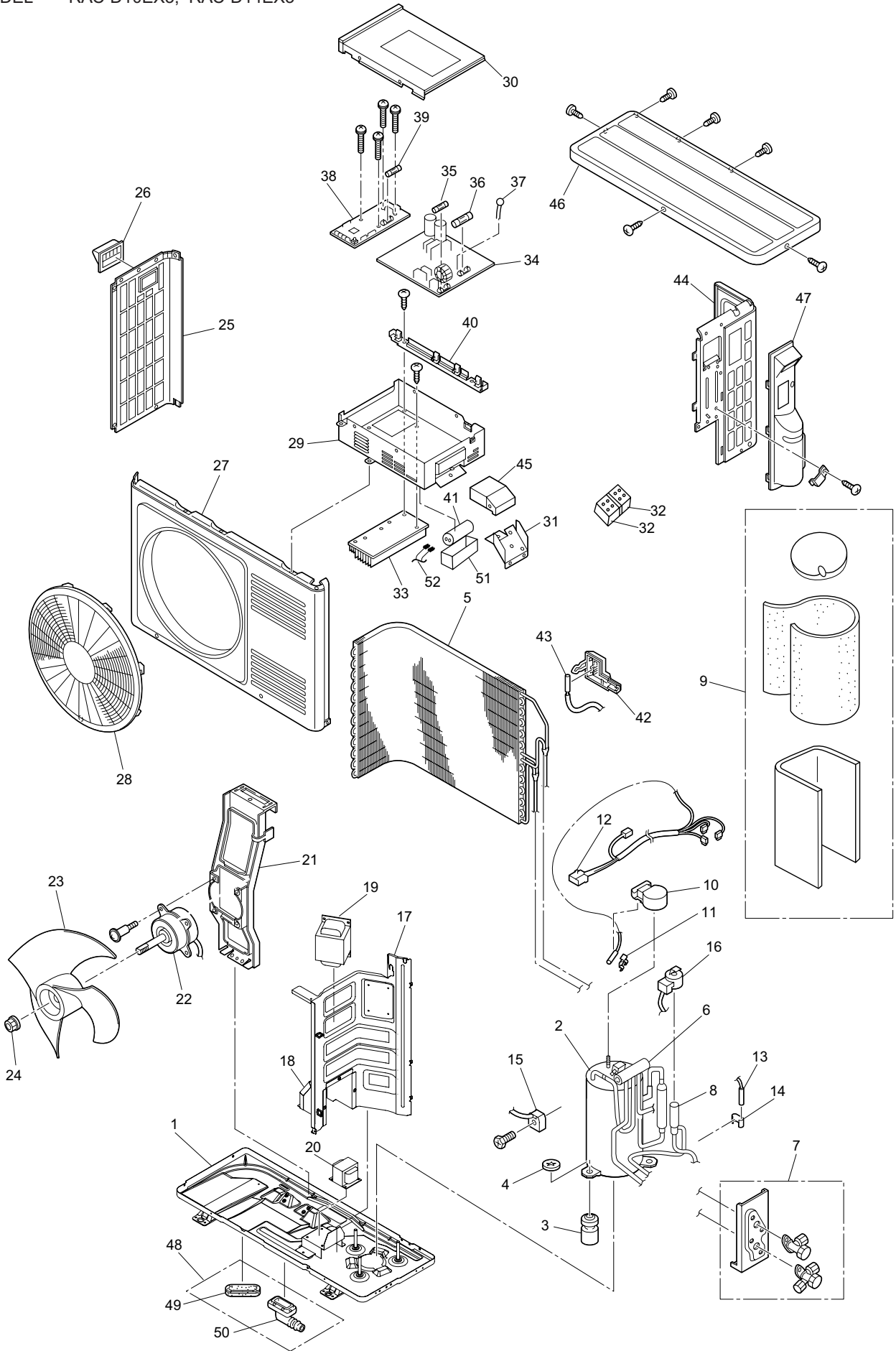
MARCH 2008

Hitachi Appliances, Inc.

PARTS LIST AND DIAGRAM

MODEL RAS-D10EX3, RAS-D14EX3





GENERAL SERVICE

RAC-D14EX3		
1	BASE (ROHS)	HWRACD10EX2A01
2	COMPRESSOR EU1011E7 (ROHS)*	HWRAC25YH4B02
3	COMPRESSOR RUBBER 1PCS (ROHS)	HWRAC25YH4A03
4	PUSH NUT :IN=9MM (ROHS)*	HWRAC25YH4A04
5	CONDENSER	HWRAC25WX8A01
6	VALVE REVERSING + COIL (ROHS)	HWRACD10EX2A03
7	VALVE SERVICE ASS'Y (ROHS)	HWRAC25YH4A07
8	VALVE ELECTRIC EXPANSI (ROHS)*	HWRACD10EX2A04
9	COVER SOUND PROOF ASS'Y(ROHS)	HWRACD10EX2A05
10	COVER OVER LOAD RELAY (ROHS)	HWRAC25YH4A10
11	SUPPORT OVER HEAT THERM(ROHS)	HWRAC25YH4A11
12	CORD CONNECTION COMPRE.(ROHS)	HWRAC25YH4A12
13	THERMISTOR (DEFROST) (ROHS)	HWRAC25YH4A13
14	THERMISTOR SUPPORT	HWRAC25WX8A02
15	COIL REVERSING VALVE (ROHS)*	HWRAC25YH4A15
16	COIL EXPANSION VALVE (ROHS)*	HWRAC25YH4A16
17	PARTITION E.ISOLATOR (ROHS)	HWRAC25YH4A17
18	REACTOR COVER (ROHS)	HWRAC25YH4A18
19	REACTOR 1 (ROHS)	HWRAC25YH4A19
20	REACTOR 2 (ROHS)	HWRAC25YH4A20
21	SUPPORT FAN MOTOR (ROHS)	HWRAC25YH4A21
22	FAN MOTOR RRMB3675 47W (ROHS)*	HWRAC25YH4A22
23	PROPELLER FAN (ROHS)	HWRAC25YH4A23
24	NUT PROPELLER FAN (ROHS)*	HWRAC25YH4A24
25	COVER SIDE LEFT (ROHS)	HWRAC25YH4A25
26	HANDLE (ROHS)	HWRAC25YH4A26
27	FRONT COVER	HWRAC25WX8A03
28	GRILL DISCHARGE (ROHS)	HWRAC25YH4A28
29	ELECTRIC PARTS PLATE (ROHS)	HWRAC25YH4A29
30	COVER ELECTRIC PARTS (ROHS)	HWRACE08HA15
31	TERMINAL PLATE (ROHS)	HWRAC25YH4A31
32	TERMINAL BOARD (2P) (ROHS)	HWRAC25YH4A32
33	HEAT SINK (REGULATOR 1)(ROHS)	HWRAC25YH4A33
34	PWB POWER (RRZK2517) (ROHS)*	HWRAC25YH4A34
35	FUSE 15A (ROHS)	HWRACE08HA11
36	FUSE 3A (ROHS)	HWRAC25YH4A36
37	VARISTOR (ROHS)	HWRAC25YH4A37
38	PWB MAIN *	HWRAC25WX8A05
39	FUSE 1A (L=22MM) (ROHS)	HWRAC25YH4A39
40	SUPPORT PWB (ROHS)	HWRAC25YH4A40
41	CAP 45MF 200V (COMP) (ROHS)	HWRAC25YH4A41
42	COVER OUT DOOR THERMIST(ROHS)	HWRAC25YH4A42
43	THERMISTOR OUTDOOR TEMPER. *	HWRAC25YH4A43
44	COVER SIDE (R) (ROHS)	HWRAC25YH5A03
45	COVER TERMINAL (ROHS)	HWRAC25YH4A45
46	COVER TOP (ROHS)	HWRAC25YH4A46
47	COVER SERVICE VALVE (ROHS)	HWRAC25YH4A47
48	DRAIN PIPE KIT OVAL 30X80MM *	HWRAC25YH4A48
49	BUSH (ROHS)	HWRAC25YH4A49
50	DRAIN PIPE L-FORM OVAL (ROHS)*	HWRAC25YH4A50
51	COVER CAPACITOR (ROHS)	HWRAC25YH4A51
52	CORD ASSEMBLY	HWRAC25WX8A06

RAC-D10EX3		
1	BASE (ROHS)	HWRACD10EX2A01
2	COMPRESSOR EU1011E7 (ROHS)*	HWRAC25YH4B02
3	COMPRESSOR RUBBER 1PCS (ROHS)	HWRAC25YH4A03
4	PUSH NUT φIN=9MM (ROHS)*	HWRAC25YH4A04
5	CONDENSER	HWRAC25WX8A01
6	VALVE REVERSING + COIL (ROHS)	HWRACD10EX2A03
7	VALVE SERVICE ASS'Y (ROHS)	HWRAC25YH4A07
8	VALVE ELECTRIC EXPANSI (ROHS)*	HWRACD10EX2A04
9	COVER SOUND PROOF ASS'Y(ROHS)	HWRACD10EX2A05
10	COVER OVER LOAD RELAY (ROHS)	HWRAC25YH4A10
11	SUPPORT OVER HEAT THERM(ROHS)	HWRAC25YH4A11
12	CORD CONNECTION COMPRE.(ROHS)	HWRAC25YH4A12
13	THERMISTOR (DEFROST) (ROHS)	HWRAC25YH4A13
14	THERMISTOR SUPPORT	HWRAC25WX8A02
15	COIL REVERSING VALVE (ROHS)*	HWRAC25YH4A15
16	COIL EXPANSION VALVE (ROHS)*	HWRAC25YH4A16
17	PARTITION E.ISOLATOR (ROHS)	HWRAC25YH4A17
18	REACTOR COVER (ROHS)	HWRAC25YH4A18
19	REACTOR 1 (ROHS)	HWRAC25YH4A19
20	REACTOR 2 (ROHS)	HWRAC25YH4A20
21	SUPPORT FAN MOTOR (ROHS)	HWRAC25YH4A21
22	FAN MOTOR RRMB3675 47W (ROHS)*	HWRAC25YH4A22
23	PROPELLER FAN (ROHS)	HWRAC25YH4A23
24	NUT PROPELLER FAN (ROHS)*	HWRAC25YH4A24
25	COVER SIDE LEFT (ROHS)	HWRAC25YH4A25
26	HANDLE (ROHS)	HWRAC25YH4A26
27	FRONT COVER	HWRAC25WX8A03
28	GRILL DISCHARGE (ROHS)	HWRAC25YH4A28
29	ELECTRIC PARTS PLATE (ROHS)	HWRAC25YH4A29
30	COVER ELECTRIC PARTS (ROHS)	HWRACE08HA15
31	TERMINAL PLATE (ROHS)	HWRAC25YH4A31
32	TERMINAL BOARD (2P) (ROHS)	HWRAC25YH4A32
33	HEAT SINK (REGULATOR 1)(ROHS)	HWRAC25YH4A33
34	PWB POWER (RRZK2517) (ROHS)*	HWRAC25YH4A34
35	FUSE 15A (ROHS)	HWRACE08HA11
36	FUSE 3A (ROHS)	HWRAC25YH4A36
37	VARISTOR (ROHS)	HWRAC25YH4A37
38	PWB MAIN *	HWRAC25WX8A04
39	FUSE 1A (L=22MM) (ROHS)	HWRAC25YH4A39
40	SUPPORT PWB (ROHS)	HWRAC25YH4A40
41	CAP 45MF 200V (COMP) (ROHS)	HWRAC25YH4A41
42	COVER OUT DOOR THERMIST(ROHS)	HWRAC25YH4A42
43	THERMISTOR OUTDOOR TEMPER. *	HWRAC25YH4A43
44	COVER SIDE (R) (ROHS)	HWRAC25YH5A03
45	COVER TERMINAL (ROHS)	HWRAC25YH4A45
46	COVER TOP (ROHS)	HWRAC25YH4A46
47	COVER SERVICE VALVE (ROHS)	HWRAC25YH4A47
48	DRAIN PIPE KIT OVAL 30X80MM *	HWRAC25YH4A48
49	BUSH (ROHS)	HWRAC25YH4A49
50	DRAIN PIPE L-FORM OVAL (ROHS)*	HWRAC25YH4A50
51	COVER CAPACITOR (ROHS)	HWRAC25YH4A51
52	CORD ASSEMBLY	HWRAC25WX8A06

RAS-D14EX3 (W)		
	Κωδικός	Περιγραφή
1	HWRAS25WX8A01	CABINET
2	HWRAS25WX8A02	FAN MOTOR RRMB00190
3	HWRAS25WX8A03	TANGENTIAL FAN
4	HWRAS25WX8A04	FAN SUPPORT ASSEMBLY(BEARING)
5	HWRAS25WX8A05	FAN COVER
6	HWRAS25WX8A06	SUPPORT FAN MOTOR
7	HWRAS25WX8A07	CYCLE ASSEMBLY
8	HWRAS25WX8A08	COVER UPPER (W)
10	HWRAS25WX8A10	TERMINAL BOARD (2P)
10	HWRAS25WX8A11	TERMINAL BOARD (2P)
11	HWRAS25WX8A12	THERMISTOR ASSEMBLY
12	HWRAS25WX8A14	PWB MAIN
13	HWRAS25WX8A15	PWB INDICATION/IR-RECEIVER
14	HWRAS25WX8A16	DRAIN PAN ASSEMBLY (W)
15	HWRAS25WX8A17	MOTOR AUTO SWEEP 1
16	HWRAS25WX8A18	MOTOR AUTO SWEEP 2
17	HWRAS25WX8A19	FRONT COVER ASSEMBLY (W) *
18	HWRAS25WX8A21	FRONT PANEL ASSEMBLY(W)
19	HWRAS25WX8A22	FILTER AIR RIGHT
20	HWRAS25WX8A23	FILTER AIR LEFT
21	HWRAS25WX8A24	COVER LOWER RIGHT (W)
22	HWRAS25WX8A25	COVER LOWER LEFT (W)
23	HWRAS25WX8A26	MOUNTING PLATE
24	HWRAS25WX8A27	SUPPORT REMOTE CONTROL
25	HWRAS25WX8A28	REMOTE HANDSET RAR3U4 *
26	HWRAS25WX8A29	GEAR ASSEMBLY *
27	HWRAS25WX8A30	GEAR AUTO SWEEP MOTOR (GEAR)
28	HWRAS25WX8A31	SWITCH LIMIT
29	HWRAS25WX8A32	IONIZER UNIT
30	HWRAS25WX8A33	IONIZER CASING
31	HWRAS25WX8A34	THERMISTOR SUPPORT
32	HWRAS25WX8A35	SCREW CAP (W)
	HWRAS25WX8A09	SPRING

RAS-D14EX3 (B)		
	Κωδικός	Περιγραφή
1	HWRAS25WX8BA01	CABINET (B)
2	HWRAS25WX8A02	FAN MOTOR RRMB00190
3	HWRAS25WX8A03	TANGENTIAL FAN
4	HWRAS25WX8A04	FAN SUPPORT ASSEMBLY(BEARING)
5	HWRAS25WX8A05	FAN COVER
6	HWRAS25WX8A06	SUPPORT FAN MOTOR
7	HWRAS25WX8A07	CYCLE ASSEMBLY
8	HWRAS25WX8BA02	COVER UPPER (B)
10	HWRAS25WX8A11	TERMINAL BOARD (2P)
10	HWRAS25WX8A10	TERMINAL BOARD (2P)
11	HWRAS25WX8A12	THERMISTOR ASSEMBLY
12	HWRAS25WX8A14	PWB MAIN
13	HWRAS25WX8A15	PWB INDICATION/IR-RECEIVER
14	HWRAS25WX8BA03	DRAIN PAN ASSEMBLY (B)
15	HWRAS25WX8A17	MOTOR AUTO SWEEP 1
16	HWRAS25WX8A18	MOTOR AUTO SWEEP 2
17	HWRAS25WX8BA04	FRONT COVER ASSEMBLY (B) *
18	HWRAS25WX8BA06	FRONT PANEL ASSEMBLY(B)
19	HWRAS25WX8A22	FILTER AIR RIGHT
20	HWRAS25WX8A23	FILTER AIR LEFT
21	HWRAS25WX8BA07	COVER LOWER RIGHT (B)
22	HWRAS25WX8BA08	COVER LOWER LEFT (B)
23	HWRAS25WX8A26	MOUNTING PLATE
24	HWRAS25WX8A27	SUPPORT REMOTE CONTROL
25	HWRAS25WX8A28	REMOTE HANDSET RAR3U4 *
26	HWRAS25WX8A29	GEAR ASSEMBLY *
27	HWRAS25WX8A30	GEAR AUTO SWEEP MOTOR (GEAR)
28	HWRAS25WX8A31	SWITCH LIMIT
29	HWRAS25WX8A32	IONIZER UNIT
30	HWRAS25WX8A33	IONIZER CASING
31	HWRAS25WX8A34	THERMISTOR SUPPORT
32	HWRAS25WX8BA09	SCREW CAP (B)
	HWRAS25WX8A09	SPRING

RAS-D10EX3 (B)

	Κωδικός	Περιγραφή
1	HWRAS25WX8BA01	CABINET (B)
2	HWRAS25WX8A02	FAN MOTOR RRMB00190
3	HWRAS25WX8A03	TANGENTIAL FAN
4	HWRAS25WX8A04	FAN SUPPORT ASSEMBLY(BEARING)
5	HWRAS25WX8A05	FAN COVER
6	HWRAS25WX8A06	SUPPORT FAN MOTOR
7	HWRAS25WX8A07	CYCLE ASSEMBLY
8	HWRAS25WX8BA02	COVER UPPER (B)
9	HWRAS25WX8A36	T-COVER
10	HWRAS25WX8A10	TERMINAL BOARD (2P)
10	HWRAS25WX8A11	TERMINAL BOARD (2P)
11	HWRAS25WX8A12	THERMISTOR ASSEMBLY
12	HWRAS25WX8A13	PWB MAIN
13	HWRAS25WX8A15	PWB INDICATION/IR-RECEIVER
14	HWRAS25WX8BA03	DRAIN PAN ASSEMBLY (B)
15	HWRAS25WX8A17	MOTOR AUTO SWEEP 1
16	HWRAS25WX8A18	MOTOR AUTO SWEEP 2
17	HWRAS25WX8BA04	FRONT COVER ASSEMBLY (B) *
18	HWRAS25WX8BA06	FRONT PANEL ASSEMBLY(B)
19	HWRAS25WX8A22	FILTER AIR RIGHT
20	HWRAS25WX8A23	FILTER AIR LEFT
21	HWRAS25WX8BA07	COVER LOWER RIGHT (B)
22	HWRAS25WX8BA08	COVER LOWER LEFT (B)
23	HWRAS25WX8A26	MOUNTING PLATE
24	HWRAS25WX8A27	SUPPORT REMOTE CONTROL
25	HWRAS25WX8A28	REMOTE HANDSET RAR3U4 *
26	HWRAS25WX8A29	GEAR ASSEMBLY *
27	HWRAS25WX8A30	GEAR AUTO SWEEP MOTOR (GEAR)
28	HWRAS25WX8A31	SWITCH LIMIT
29	HWRAS25WX8A32	IONIZER UNIT
30	HWRAS25WX8A33	IONIZER CASING
31	HWRAS25WX8A34	THERMISTOR SUPPORT
32	HWRAS25WX8BA09	SCREW CAP (B)
	HWRAS25WX8A09	SPRING

RAS-D10EX3 (W)

	Αριθμός Μέρους	Περιγραφή
1	HWRAS25WX8A01	CABINET
2	HWRAS25WX8A02	FAN MOTOR RRMB00190
3	HWRAS25WX8A03	TANGENTIAL FAN
4	HWRAS25WX8A04	FAN SUPPORT ASSEMBLY(BEARING)
5	HWRAS25WX8A05	FAN COVER
6	HWRAS25WX8A06	SUPPORT FAN MOTOR
7	HWRAS25WX8A07	CYCLE ASSEMBLY
8	HWRAS25WX8A08	COVER UPPER (W)
9	HWRAS25WX8A36	T-COVER
10	HWRAS25WX8A11	TERMINAL BOARD (2P)
10	HWRAS25WX8A10	TERMINAL BOARD (2P)
11	HWRAS25WX8A12	THERMISTOR ASSEMBLY
12	HWRAS25WX8A13	PWB MAIN
13	HWRAS25WX8A15	PWB INDICATION/IR-RECEIVER
14	HWRAS25WX8A16	DRAIN PAN ASSEMBLY (W)
15	HWRAS25WX8A17	MOTOR AUTO SWEEP 1
16	HWRAS25WX8A18	MOTOR AUTO SWEEP 2
17	HWRAS25WX8A19	FRONT COVER ASSEMBLY (W) *
18	HWRAS25WX8A21	FRONT PANEL ASSEMBLY(W)
19	HWRAS25WX8A22	FILTER AIR RIGHT
20	HWRAS25WX8A23	FILTER AIR LEFT
21	HWRAS25WX8A24	COVER LOWER RIGHT (W)
22	HWRAS25WX8A25	COVER LOWER LEFT (W)
23	HWRAS25WX8A26	MOUNTING PLATE
24	HWRAS25WX8A27	SUPPORT REMOTE CONTROL
25	HWRAS25WX8A28	REMOTE HANDSET RAR3U4 *
26	HWRAS25WX8A29	GEAR ASSEMBLY *
27	HWRAS25WX8A30	GEAR AUTO SWEEP MOTOR (GEAR)
28	HWRAS25WX8A31	SWITCH LIMIT
29	HWRAS25WX8A32	IONIZER UNIT
30	HWRAS25WX8A33	IONIZER CASING
31	HWRAS25WX8A34	THERMISTOR SUPPORT
32	HWRAS25WX8A35	SCREW CAP (W)
	HWRAS25WX8A09	SPRING