

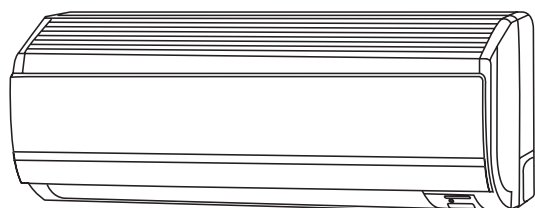
HITACHI

SM0033

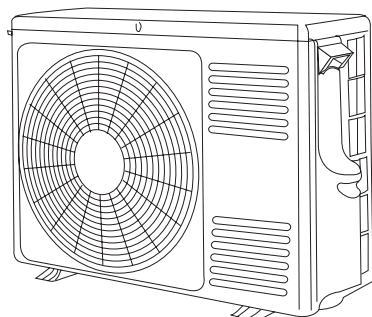
RAS-S14H3A / RAC-S14H3

SERVICE MANUAL

TECHNICAL INFORMATION



RAS-S14H3A



RAC-S14H3



SPECIFICATIONS

| TYPE | | DC INVERTER (WALL TYPE) | | |
|-----------------|-------------------|--------------------------|-------------------------|--|
| | | INDOOR UNIT | OUTDOOR UNIT | |
| MODEL | | RAS-S14H3A | RAC-S14H3 | |
| POWER SOURCE | | 1 PHASE, 50 Hz, 220-230V | | |
| COOLING | TOTAL INPUT (W) | 1,090 (155 ~ 1,460) | | |
| | TOTAL AMPERES (A) | 5.22-4.99 | | |
| | CAPACITY | (kW) | 3.50 (0.90 ~ 4.00) | |
| | | (B.T.U./h) | 11,940 (3,070 ~ 13,650) | |
| HEATING | TOTAL INPUT (W) | 1,110 (115 ~ 1,440) | | |
| | TOTAL AMPERES (A) | 5.32-5.09 | | |
| | CAPACITY | (kW) | 4.20 (0.90 ~ 5.00) | |
| | | (B.T.U./h) | 14,330 (3,070 ~ 17,060) | |
| DIMENSIONS (mm) | W | 780 | 750 (+91)* | |
| | H | 280 | 548 | |
| | D | 220 | 288 (+47)* | |
| NET WEIGHT (kg) | | 9.5 | 35 | |

※ After installation

SPECIFICATIONS AND PARTS ARE SUBJECT TO CHANGE FOR IMPROVEMENT

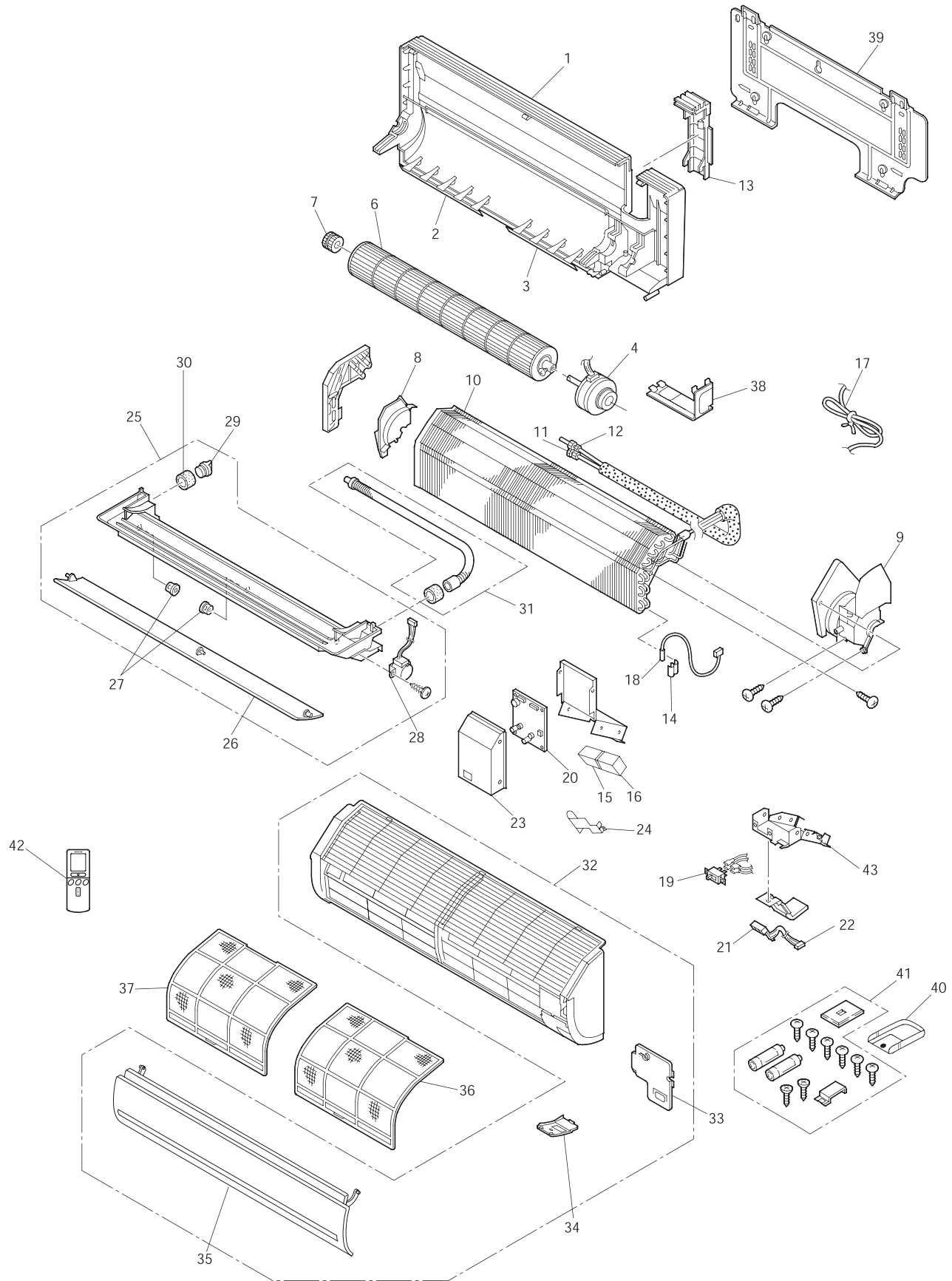
ROOM AIR CONDITIONER

INDOOR UNIT + OUTDOOR UNIT

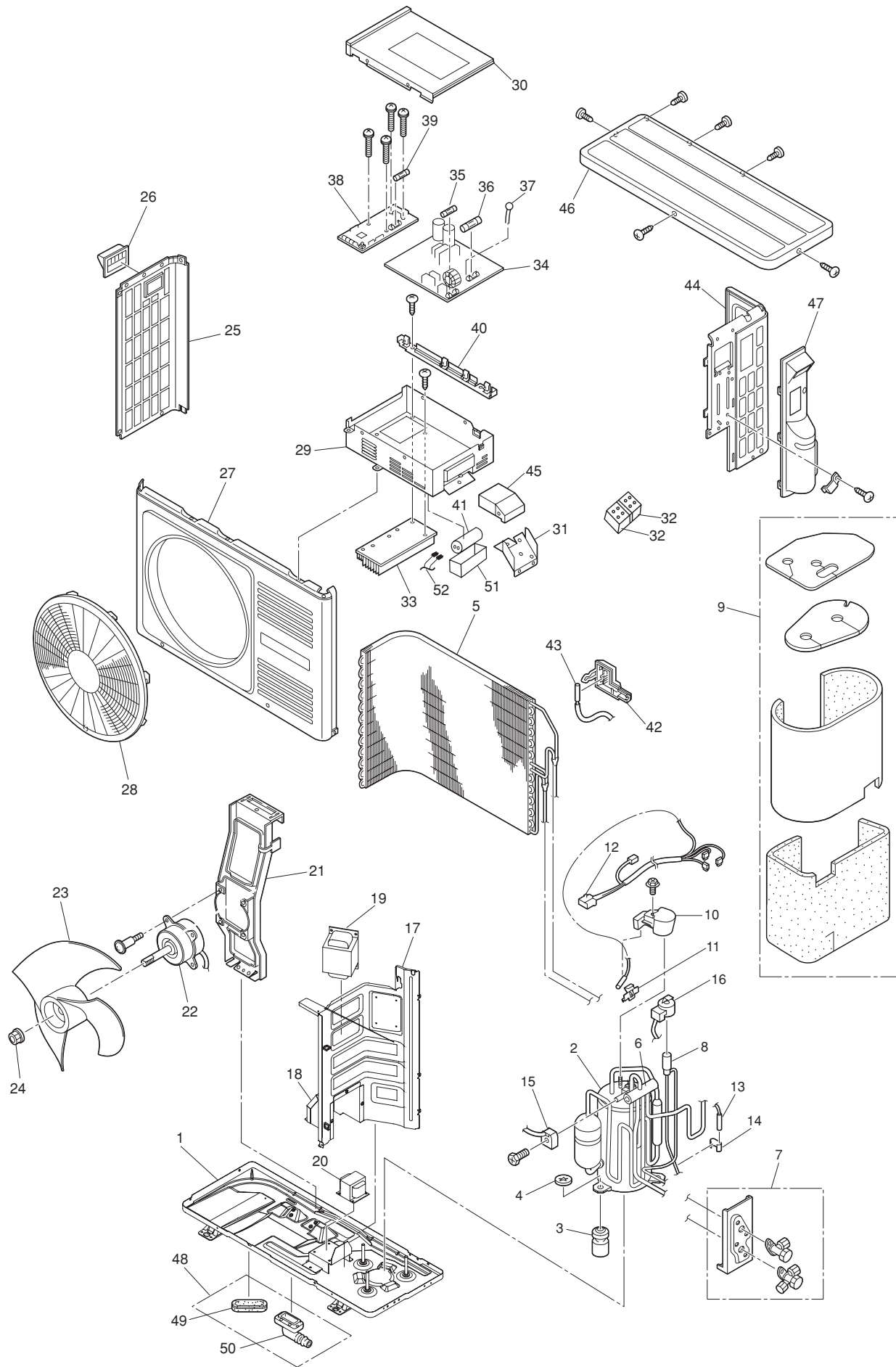
FEBRUARY 2009 Hitachi Household Appliances(Wuhu) Co.,Ltd.

PARTS LIST AND DIAGRAM

INDOOR UNIT MODEL: RAS-S14H3A



OUTDOOR UNIT MODEL: RAC-S14H3



GENERAL SERVICE

| RAC-S14H3 | | |
|------------------|--------------------------------|----------------|
| 1 | BASE (ROHS) | HWRACE14H2A01 |
| 2 | COMPRESSOR ASC092CD (ROHS) | HWRACE08HA02 |
| 3 | COMPRESSOR RUBBER 1PCS (ROHS) | HWRAC25YH4A03 |
| 4 | PUSH NUT :IN=9MM (ROHS)* | HWRAC25YH4A04 |
| 5 | CONDENSER (ROHS) | HWRACD10EX2A02 |
| 6 | VALVE REVERSING W.COIL (ROHS)* | HWRACE08HA03 |
| 7 | VALVE SERVICE ASS'Y (ROHS)* | HWRACE08HA04 |
| 8 | VALVE ELECTRIC EXPAN. (ROHS) | HWRACE08HA05 |
| 9 | COVER SOUND PROOF (ROHS) | HWRACE08HA06 |
| 10 | COVER OVER LOAD RELAY (ROHS) | HWRAC25YH4A10 |
| 11 | SUPPORT OVER HEAT THERM(ROHS) | HWRAC25YH4A11 |
| 12 | CORD CONNECTION COMPRE.(ROHS) | HWRACE08HA08 |
| 13 | THERMISTOR DEFROST (ROHS) | HWRACD10EXA08 |
| 14 | SUPPORT THERMISTOR (ROHS) | HWRAC25YH4A14 |
| 15 | COIL REVERSING VALVE (ROHS) | HWRAC25YHAA03 |
| 16 | COIL EXPANSION VALVE (ROHS)* | HWRACE08HA09 |
| 17 | PARTITION E.ISOLATOR (ROHS) | HWRAC25YH4A17 |
| 18 | REACTOR COVER (ROHS) | HWRAC25YH4A18 |
| 19 | REACTOR 1 (ROHS) | HWRAC25YH4A19 |
| 20 | REACTOR 2 (ROHS) | HWRAC25YH4A20 |
| 21 | FAN MOTOR SUPPORT (ROHS) | HWRACD10EXA11 |
| 22 | FAN MOTOR RRMB3675 47W (ROHS)* | HWRAC25YH4A22 |
| 23 | PROPELLER FAN (ROHS) | HWRAC25YH4A23 |
| 24 | NUT PROPELLER FAN (ROHS)* | HWRAC25YH4A24 |
| 25 | COVER SIDE LEFT (ROHS) | HWRAC25YH4A25 |
| 26 | HANDLE (ROHS) | HWRAC25YH4A26 |
| 27 | FRONT COVER (ROHS) | HWRACE08HA10 |
| 28 | GRILL DISCHARGE (ROHS) | HWRAC25YH4A28 |
| 29 | ELECTRIC PARTS PLATE (ROHS) | HWRAC25YH4A29 |
| 30 | COVER ELECTRIC PARTS (ROHS) | HWRACE08HA15 |
| 31 | TERMINAL PLATE (ROHS) | HWRAC25YH4A31 |
| 32 | TERMINAL BOARD (2P) (ROHS) | HWRAC25YH4A32 |
| 33 | HEAT SINK (REGULATOR 1)(ROHS) | HWRAC25YH4A33 |
| 34 | PWB POWER (RRZK2517) (ROHS)* | HWRAC25YH4A34 |
| 35 | FUSE 15A (ROHS) | HWRACE08HA11 |
| 36 | FUSE 3A (ROHS) | HWRAC25YH4A36 |
| 37 | VARISTOR (ROHS) | HWRAC25YH4A37 |
| 38 | PWB MAIN (RRZK2620) (ROHS)* | HWRACE14H2A02 |
| 39 | FUSE 1A (L=22MM) (ROHS) | HWRAC25YH4A39 |
| 40 | SUPPORT PWB (ROHS) | HWRAC25YH4A40 |
| 41 | CAP 45MF 200V (COMP) (ROHS) | HWRAC25YH4A41 |
| 42 | COVER OUT DOOR THERMIST(ROHS) | HWRAC25YH4A42 |
| 43 | THERMISTOR OUTDOOR TEMP(ROHS) | HWRACD10EXA17 |
| 44 | COVER SIDE (R) (ROHS) | HWRACE14H2A03 |
| 45 | COVER TERMINAL (ROHS) | HWRAC25YH4A45 |
| 46 | COVER TOP (ROHS) | HWRAC25YH4A46 |
| 47 | COVER SERVICE VALVE (ROHS) | HWRAC25YH4A47 |
| 48 | DRAIN PIPE KIT OVAL 30X80MM * | HWRAC25YH4A48 |
| 49 | BUSH (ROHS) | HWRAC25YH4A49 |
| 50 | DRAIN PIPE L-FORM OVAL (ROHS)* | HWRAC25YH4A50 |
| 51 | COVER CAPACITOR (ROHS) | HWRAC25YH4A51 |
| 52 | CORD 1P YELLOW FLAT PLUG(ROHS) | HWRAC25YH4A52 |