

# HITACHI

Inspire the Next

PT

NO. 2836E

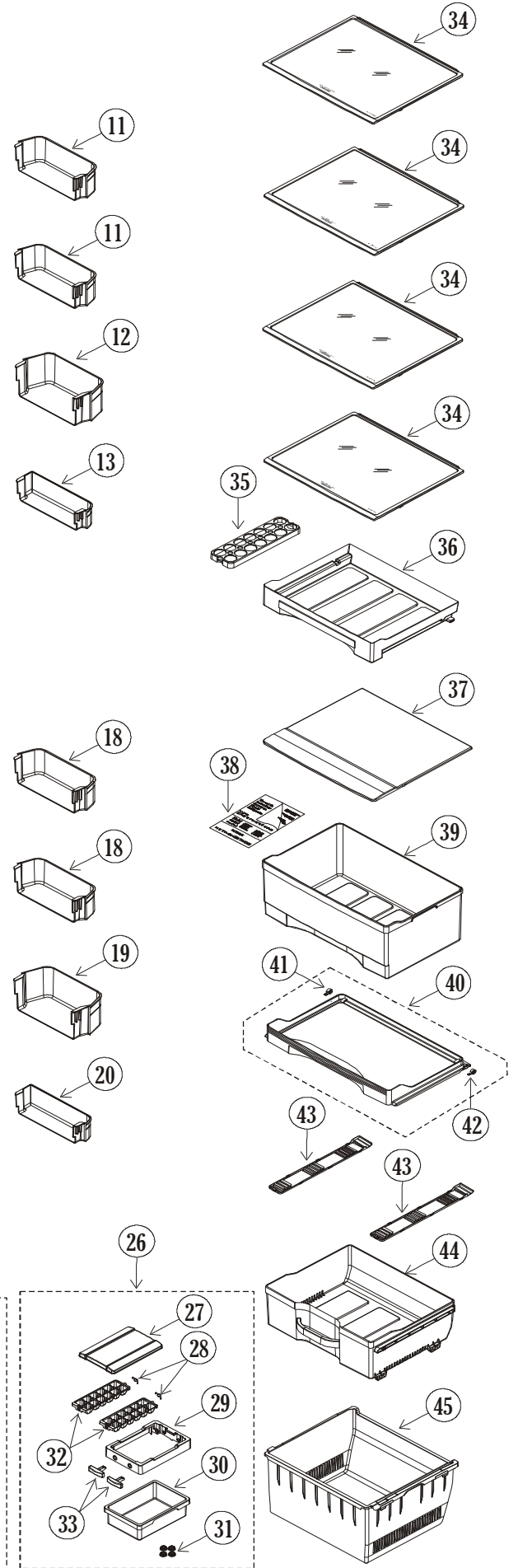
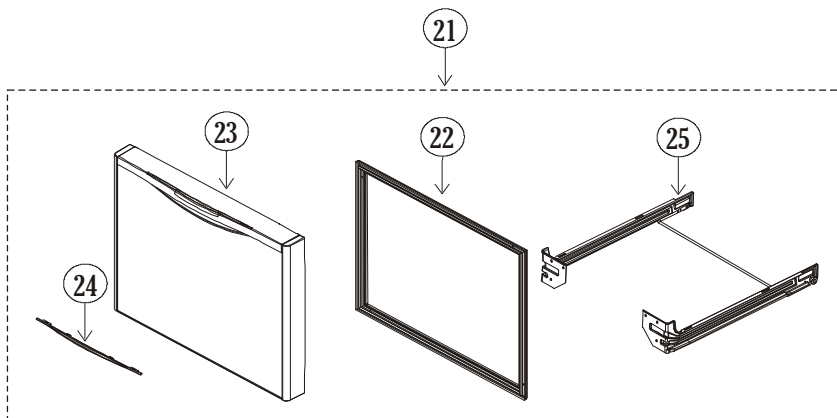
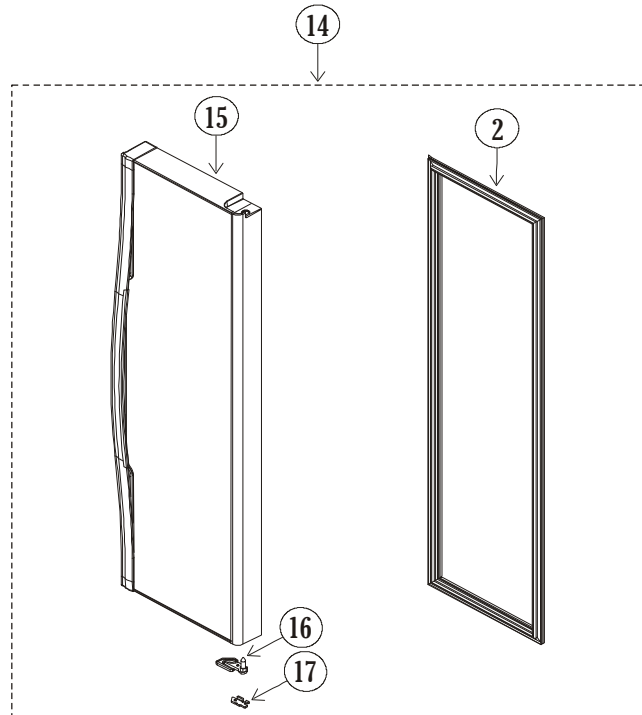
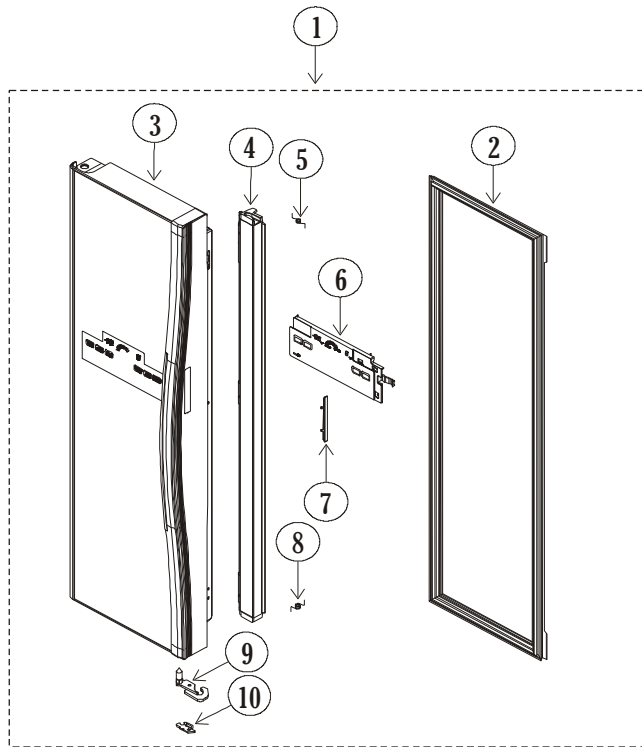
R-WB480PRU2 (GS,GBK,GBW)



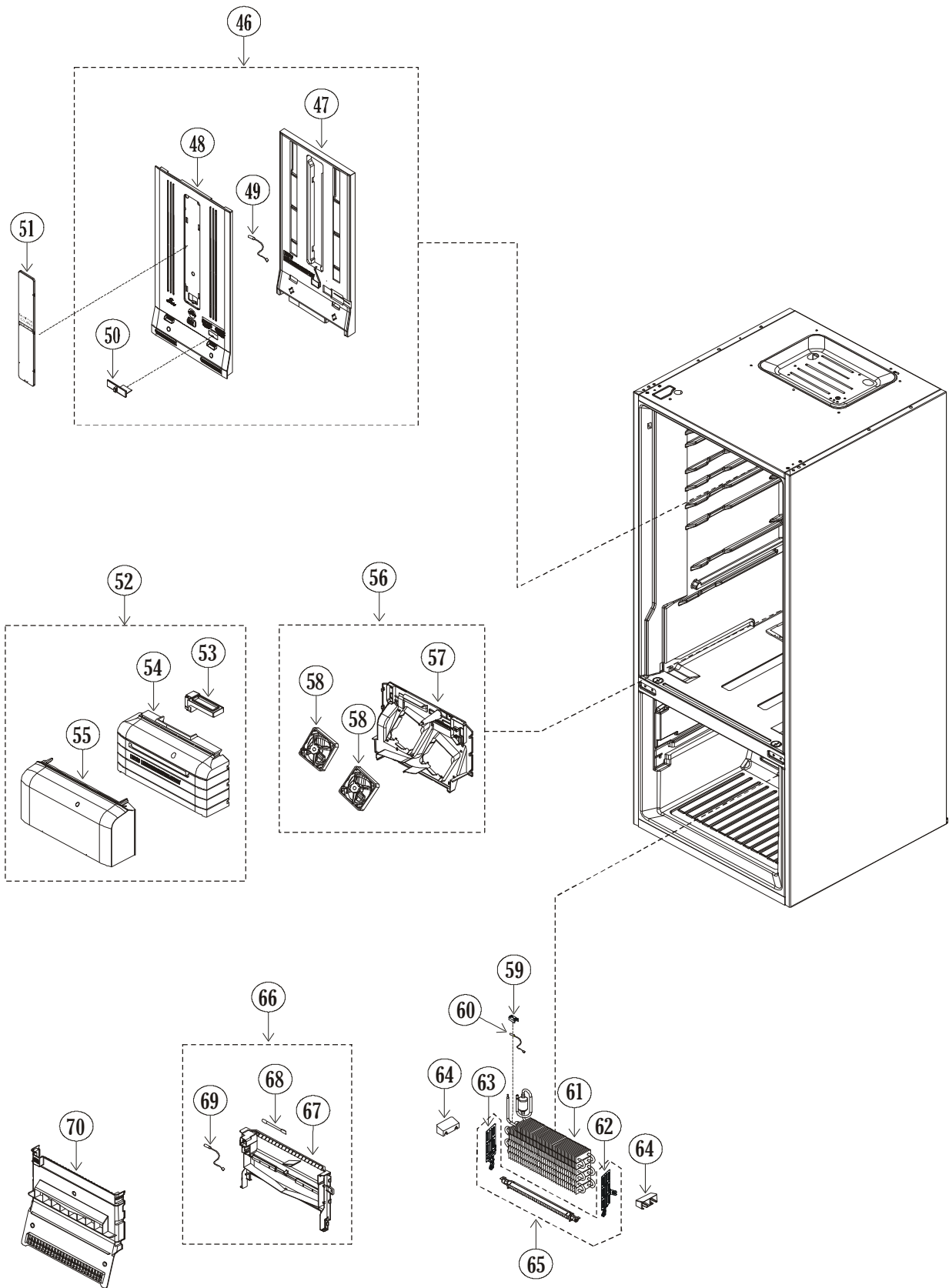
## SPECIFICATIONS

TYPE		BOTTOM FREEZER THREE DOOR	
MODEL		R-WB480PRU2	
POWER SOURCE		1Ø,220-240V,50Hz	
POWER INPUT ( W )		130	
TOTAL CURRENT ( A )		1.5	
VOLUME	TOTAL	GROSS	456L
		STORAGE	382L
DIMENSIONS (mm)	W		680
	H		1780
	D		760
NET WEIGHT ( Kgs )		90	

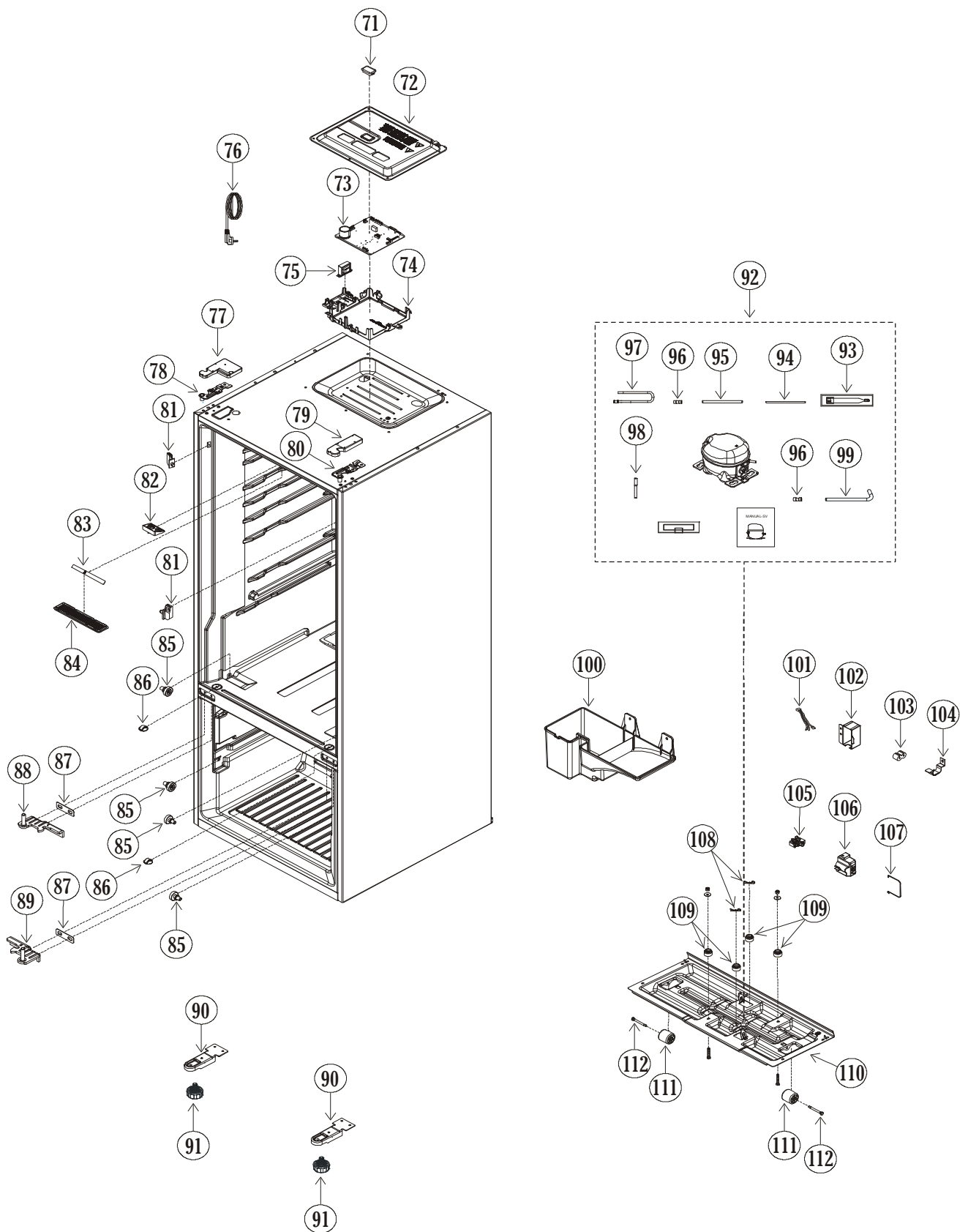
# MODEL : R-WB480PRU2



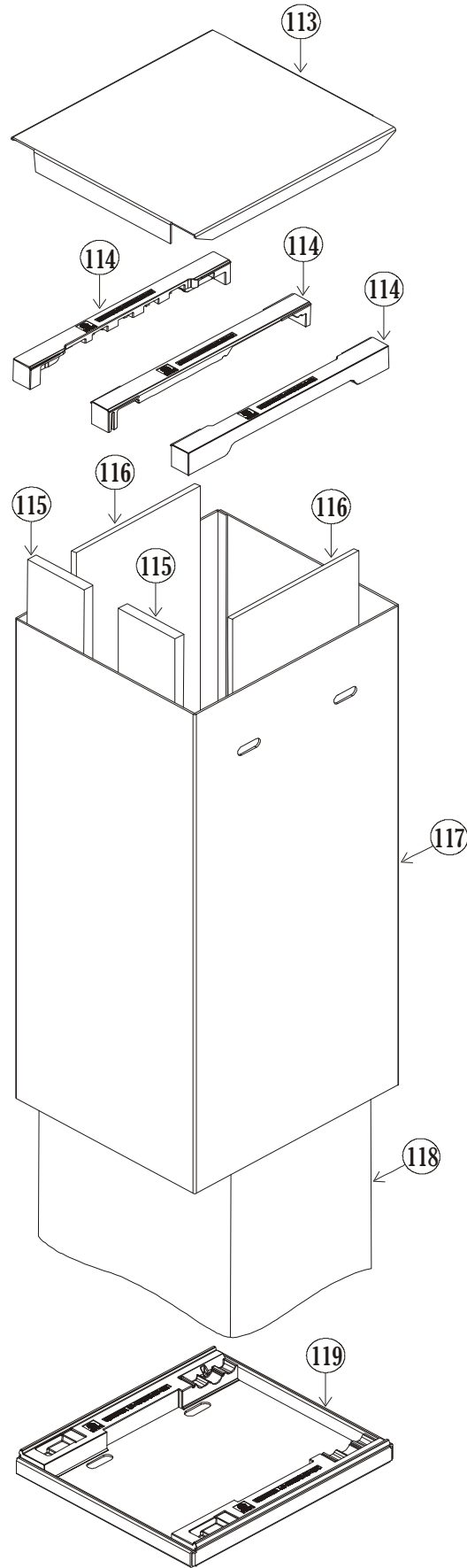
# MODEL : R-WB480PRU2



# MODEL : R-WB480PRU2



# MODEL : R-WB480PRU2



## MODEL: R-WB480PRU2 (GS)

NO.	SERVICE NO.	SERVICE NAME	Q'TY/SET	REMARKS
			R-WB480PRU2	
1	PTR-WB490P2 001	DOOR-PANEL-RL-ASS'Y (GS)	1	**
2	PTR-WB490P2 004	DOOR-GASKET-R	2	**
3	PTR-WB490P2 005	DOOR-PANEL-RL (GS)	1	**
4	PTR-WB490P2 008	SWING-PARTITION	1	**
5	PTR-W900FJ6X 005	SPRING-LO-4D	1	
6	PTR-WB490P2 009	PANEL-R-TOUCH (GS)	1	**
7	PTR-WB490P2 010	CAP-PANEL (GS)	1	
8	PTR-W900FJ6X 003	SPRING-UP-4D	1	
9	PTR-W660AG6 109	CLOSER-L (SS,STS)	1	
10	PTR-SF37WVPH 020	DOOR-STOPPER-L	1	
11	PTR-WB490P2 013	DOOR-RACK-R1-L	2	
12	PTR-WB490P2 014	DOOR-RACK-R2-L	1	
13	PTR-WB490P2 015	DOOR-RACK-R3-L	1	
14	PTR-WB490P2 016	DOOR-PANEL-RR-ASS'Y (GS)	1	**
15	PTR-WB490P2 019	DOOR-PANEL-RR (GS)	1	**
16	PTR-S31NVH 111	DOOR-CLOSER (STS,W,A,SS,GGR,RO,S,SU,GR,SLS,SLK,TGL,WGR,ST)	1	
17	PTR-SF37WVPH 024	DOOR-STOPPER-R	1	
18	PTR-WB490P2 022	DOOR-RACK-R1-R	2	
19	PTR-WB490P2 023	DOOR-RACK-R2-R	1	
20	PTR-WB490P2 024	DOOR-RACK-R3-R	1	
21	PTR-WB490P2 025	DOOR-PANEL-F-ASS'Y (GS)	1	**
22	PTR-WB490P2 028	DOOR-GASKET-F	1	**
23	PTR-WB490P2 029	DOOR-PANEL-F (GS)	1	**
24	PTR-WB490P2 032	HANDLE-DEC-F	1	
25	PTR-WB490P2 033	FRAME-F-ASS'Y	1	
26	PTR-WB490P2 034	ICE-MAKER-ASS'Y	1	
27	PTR-WB490P2 035	ICE-COVER	1	
28	PTR-T350ERS 002	ICE-MAKER-SPRING	2	
29	PTR-WB490P2 036	ICE-SUPPORT	1	
30	PTR-WB490P2 037	ICE-BANK	1	
31	PTR-WB490P2 038	SILICONE	4	
32	PTR-WB490P2 039	ICE-TWISTER	2	
33	PTR-WB490P2 040	ICE-TWISTER-DIAL	2	

## MODEL: R-WB480PRU2 (GS)

NO.	SERVICE NO.	SERVICE NAME	Q'TY/SET	REMARKS
			R-WB480PRU2	
34	PTR-WB490P2 041	GLASS-SHELF	4	
35	PTR-44A4P 003	E-CASE-475	1	
36	PTR-WB490P2 042	CHILLER	1	
37	PTR-WB490P2 043	VEGETABLE-COVER	1	
38	PTR-WB490P2 044	INSTRUCTION-BOOK	1	
39	PTR-WB490P2 045	VEGETABLE-BOX	1	
40	PTR-WB480PG 004	VEGETABLE-TRAY-ASS'Y	1	
41	PTR-WB490P2 047	SLIDER-CASE-L	1	
42	PTR-WB490P2 048	SLIDER-CASE-R	1	
43	PTR-WB490P2 049	PARTITION-COVER	2	
44	PTR-WB490P2 050	FREEZER-CASE-1	1	
45	PTR-WB490P2 051	FREEZER-CASE-2	1	
46	PTR-WB490P2 052	R-PANEL-UP-ASS'Y	1	**
47	PTR-WB490P2 053	R-DUCT	1	
48	PTR-WB490P2 054	R-PANEL-UP	1	
49	PTR-WB490P2 055	R-SENSOR	1	**
50	PTR-V720PG1 048	CHILLER-SHUTTER	1	
51	PTR-WB490P2 056	R-PANEL-COVER	1	
52	PTR-WB490P2 057	R-PANEL-LO-ASS'Y	1	**
53	PTR-WB490P2 058	DAMPER	1	**
54	PTR-WB490P2 059	R-DUCT-L	1	
55	PTR-WB490P2 060	R-PANEL-LO	1	
56	PTR-WB490P2 061	MOUTH-PLATE-ASS'Y	1	**
57	PTR-WB490P2 062	MOUTH-PLATE	1	
58	PTR-WB490P2 063	R-MOTOR	2	**
59	PTR-208A1HE 010	SENSOR HOLDER	1	
60	PTR-WB490P2 064	D-SENSOR	1	**
61	PTR-WB490P2 065	EVAPORATOR	1	
62	PTR-WB490P2 102	HEATER-HANG-R	1	
63	PTR-WB490P2 103	HEATER-HANG-L	1	
64	PTR-WB490P2 066	EVAPORATOR-SUPPORT	2	
65	PTR-WB490P2 072	R-HEATER-ASS'Y	1	**
66	PTR-WB490P2 067	EVAPORATOR-DUCT-ASS'Y	1	**

## MODEL: R-WB480PRU2 (GS)

NO.	SERVICE NO.	SERVICE NAME	Q'TY/SET	REMARKS
			R-WB480PRU2	
67	PTR-WB490P2 068	EVAPORATOR-DUCT	1	
68	PTR-WB490P2 069	FUSE	1	**
69	PTR-WB490P2 070	F-SENSOR	1	**
70	PTR-WB490P2 071	EVAPORATOR-COVER	1	
71	PTR-SBS6200T 027	HOLE-CAP	1	
72	PTR-WB490P2 073	PCB-COVER	1	
73	PTR-WB490P2 074	PCB-M-BF-220V	1	**
74	PTR-WB490P2 075	PCB-CASE	1	
75	PTR-V720PG1 054	REACTOR	1	**
76	PTR-V720PG1 055	POWER-CORD	1	**
77	PTR-WB490P2 076	UP-HINGE-COVER-L (GS)	1	
78	PTR-WB490P2 079	UP-HINGE-L	1	
79	PTR-WB490P2 080	UP-HINGE-COVER-R (GS)	1	
80	PTR-WB490P2 083	UP-HINGE-R	1	
81	PTR-25A3P 022	DOOR SWITCH	2	**
82	PTR-WB490P2 084	SWING-STOPPER	1	
83	PTR-V720PG1 043	LED-LAMP-R	1	**
84	PTR-V720PG1 042	LAMP-COVER-F	1	
85	PTR-33WS 005	BEARING	4	
86	PTR-WB490P2 085	SLIDER-PARTI	2	
87	PTR-WB490P2 086	CENTER-HINGE-SHEET	2	
88	PTR-WB490P2 087	CENTER-HINGE-L	1	
89	PTR-WB490P2 088	CENTER-HINGE-R	1	
90	PTR-S31SVTH-1 003	LEG-ASSEMBLY	2	
91	PTR-610AS3T 069	ADJUSTOR	2	
92	PTR-WB490P2 101	COMPRESSOR	1	**
93	PTR-14MX7 008	DRYER KMP (NON-CFC)	1	**
94	PTR-S700EUK8 135	CHARG-PIPE-DRYER	1	
95	PTR-S31SVTH-1 006	PIPE-COMP-R600a	1	
96	PTR-TOOL 020	LOKING STOPPER	2	
97	PTR-SG31BPH 062	S-PIPE-P-SOLF-R600a	1	
98	PTR-SF37WVPTH 102	SV-PIPE-BS4D	1	
99	PTR-S700EUK 001	SV-PIPE-600L	1	



# MODEL: R-WB480PRU2 (GS)

NO.	SERVICE NO.	SERVICE NAME	Q'TY/SET	REMARKS
			R-WB480PRU2	
100	PTR-WB490P2 089	DRAIN-PAN	1	
101	PTR-WB490P2 090	CORD-COMP	1	**
102	PTR-Z610EG9 002	CORD-CASE	1	
103	PTR-F-136 022	RUBBER RING W1	1	
104	PTR-WB490P2 091	DRAIN-PIPE-BAND	1	
105	PTR-SF37WVPH 053	OVERLOAD RELAY	1	**
106	PTR-SF37WVPH 052	TERMINAL-COVER	1	
107	PTR-SF37WVPH 051	COMP COVER LOCK	1	
108	PTR-T190W 036	PIN	2	
109	PTR-T270W 010	R-GROMMET	4	
110	PTR-WB490P2 092	COMPRESSOR-BASE	1	
111	PTR-SF37WVPH 006	ROLLER	2	
112	PTR-923V 061	ROLLER PIN	2	
113	PTR-WB490P2 093	UP-CARTON	1	
114	PTR-WB490P2 094	UP-CUSHION	1	
115	PTR-WB480PN 001	FRONT CUSHION	2	
116	PTR-570EN4 006	SIDE CUSHION	2	
117	PTR-WB480PR 001	CARTON-BOX-R-WB480PRU2 (GS)	1	
118	PTR-Z600AS7 007	POLY-BAG-WY '07	1	
119	PTR-WB490P2 100	CARTON-BASE-BF	1	

\*\* : RELATED PART FOR COOLING SYSTEM

## MODEL: R-WB480PRU2 (GBK)

NO.	SERVICE NO.	SERVICE NAME	Q'TY/SET	REMARKS
			R-WB480PRU2	
1	PTR-WB490P2 002	DOOR-PANEL-RL-ASS'Y (GBK)	1	**
2	PTR-WB490P2 004	DOOR-GASKET-R	2	**
3	PTR-WB490P2 006	DOOR-PANEL-RL (GBK)	1	**
4	PTR-WB490P2 008	SWING-PARTITION	1	**
5	PTR-W900FJ6X 005	SPRING-LO-4D	1	
6	PTR-WB490P2 104	PANEL-R-TOUCH (GBK)	1	**
7	PTR-WB490P2 011	CAP-PANEL (GBK)	1	
8	PTR-W900FJ6X 003	SPRING-UP-4D	1	
9	PTR-W660AG6 109	CLOSER-L (SS,STS)	1	
10	PTR-SF37WVPH 020	DOOR-STOPPER-L	1	
11	PTR-WB490P2 013	DOOR-RACK-R1-L	2	
12	PTR-WB490P2 014	DOOR-RACK-R2-L	1	
13	PTR-WB490P2 015	DOOR-RACK-R3-L	1	
14	PTR-WB490P2 017	DOOR-PANEL-RR-ASS'Y (GBK)	1	**
15	PTR-WB490P2 020	DOOR-PANEL-RR (GBK)	1	**
16	PTR-S31NVH 111	DOOR-CLOSER (STS,W,A,SS,GGR,RO,S,SU,GR,SLS,SLK,TGL,WGR,ST)	1	
17	PTR-SF37WVPH 024	DOOR-STOPPER-R	1	
18	PTR-WB490P2 022	DOOR-RACK-R1-R	2	
19	PTR-WB490P2 023	DOOR-RACK-R2-R	1	
20	PTR-WB490P2 024	DOOR-RACK-R3-R	1	
21	PTR-WB490P2 026	DOOR-PANEL-F-ASS'Y (GBK)	1	**
22	PTR-WB490P2 028	DOOR-GASKET-F	1	**
23	PTR-WB490P2 030	DOOR-PANEL-F (GBK)	1	**
24	PTR-WB490P2 032	HANDLE-DEC-F	1	
25	PTR-WB490P2 033	FRAME-F-ASS'Y	1	
26	PTR-WB490P2 034	ICE-MAKER-ASS'Y	1	
27	PTR-WB490P2 035	ICE-COVER	1	
28	PTR-T350ERS 002	ICE-MAKER-SPRING	2	
29	PTR-WB490P2 036	ICE-SUPPORT	1	
30	PTR-WB490P2 037	ICE-BANK	1	
31	PTR-WB490P2 038	SILICONE	4	
32	PTR-WB490P2 039	ICE-TWISTER	2	
33	PTR-WB490P2 040	ICE-TWISTER-DIAL	2	

## MODEL: R-WB480PRU2 (GBK)

NO.	SERVICE NO.	SERVICE NAME	Q'TY/SET	REMARKS
			R-WB480PRU2	
34	PTR-WB490P2 041	GLASS-SHELF	4	
35	PTR-44A4P 003	E-CASE-475	1	
36	PTR-WB490P2 042	CHILLER	1	
37	PTR-WB490P2 043	VEGETABLE-COVER	1	
38	PTR-WB490P2 044	INSTRUCTION-BOOK	1	
39	PTR-WB490P2 045	VEGETABLE-BOX	1	
40	PTR-WB480PG 004	VEGETABLE-TRAY-ASS'Y	1	
41	PTR-WB490P2 047	SLIDER-CASE-L	1	
42	PTR-WB490P2 048	SLIDER-CASE-R	1	
43	PTR-WB490P2 049	PARTITION-COVER	2	
44	PTR-WB490P2 050	FREEZER-CASE-1	1	
45	PTR-WB490P2 051	FREEZER-CASE-2	1	
46	PTR-WB490P2 052	R-PANEL-UP-ASS'Y	1	**
47	PTR-WB490P2 053	R-DUCT	1	
48	PTR-WB490P2 054	R-PANEL-UP	1	
49	PTR-WB490P2 055	R-SENSOR	1	**
50	PTR-V720PG1 048	CHILLER-SHUTTER	1	
51	PTR-WB490P2 056	R-PANEL-COVER	1	
52	PTR-WB490P2 057	R-PANEL-LO-ASS'Y	1	**
53	PTR-WB490P2 058	DAMPER	1	**
54	PTR-WB490P2 059	R-DUCT-L	1	
55	PTR-WB490P2 060	R-PANEL-LO	1	
56	PTR-WB490P2 061	MOUTH-PLATE-ASS'Y	1	**
57	PTR-WB490P2 062	MOUTH-PLATE	1	
58	PTR-WB490P2 063	R-MOTOR	2	**
59	PTR-208A1HE 010	SENSOR HOLDER	1	
60	PTR-WB490P2 064	D-SENSOR	1	**
61	PTR-WB490P2 065	EVAPORATOR	1	
62	PTR-WB490P2 102	HEATER-HANG-R	1	
63	PTR-WB490P2 103	HEATER-HANG-L	1	
64	PTR-WB490P2 066	EVAPORATOR-SUPPORT	2	
65	PTR-WB490P2 072	R-HEATER-ASS'Y	1	**
66	PTR-WB490P2 067	EVAPORATOR-DUCT-ASS'Y	1	**

## MODEL: R-WB480PRU2 (GBK)

NO.	SERVICE NO.	SERVICE NAME	Q'TY/SET	REMARKS
			R-WB480PRU2	
67	PTR-WB490P2 068	EVAPORATOR-DUCT	1	
68	PTR-WB490P2 069	FUSE	1	**
69	PTR-WB490P2 070	F-SENSOR	1	**
70	PTR-WB490P2 071	EVAPORATOR-COVER	1	
71	PTR-SBS6200T 027	HOLE-CAP	1	
72	PTR-WB490P2 073	PCB-COVER	1	
73	PTR-WB490P2 074	PCB-M-BF-220V	1	**
74	PTR-WB490P2 075	PCB-CASE	1	
75	PTR-V720PG1 054	REACTOR	1	**
76	PTR-V720PG1 055	POWER-CORD	1	**
77	PTR-WB490P2 077	UP-HINGE-COVER-L (GBK)	1	
78	PTR-WB490P2 079	UP-HINGE-L	1	
79	PTR-WB490P2 081	UP-HINGE-COVER-R (GBK)	1	
80	PTR-WB490P2 083	UP-HINGE-R	1	
81	PTR-25A3P 022	DOOR SWITCH	2	**
82	PTR-WB490P2 084	SWING-STOPPER	1	
83	PTR-V720PG1 043	LED-LAMP-R	1	**
84	PTR-V720PG1 042	LAMP-COVER-F	1	
85	PTR-33WS 005	BEARING	4	
86	PTR-WB490P2 085	SLIDER-PARTI	2	
87	PTR-WB490P2 086	CENTER-HINGE-SHEET	2	
88	PTR-WB490P2 087	CENTER-HINGE-L	1	
89	PTR-WB490P2 088	CENTER-HINGE-R	1	
90	PTR-S31SVTH-1 003	LEG-ASSEMBLY	2	
91	PTR-610AS3T 069	ADJUSTOR	2	
92	PTR-WB490P2 101	COMPRESSOR	1	**
93	PTR-14MX7 008	DRYER KMP (NON-CFC)	1	**
94	PTR-S700EUK8 135	CHARG-PIPE-DRYER	1	
95	PTR-S31SVTH-1 006	PIPE-COMP-R600a	1	
96	PTR-TOOL 020	LOKING STOPPER	2	
97	PTR-SG31BPH 062	S-PIPE-P-SOLF-R600a	1	
98	PTR-SF37WVPTH 102	SV-PIPE-BS4D	1	
99	PTR-S700EUK 001	SV-PIPE-600L	1	

# MODEL: R-WB480PRU2 (GBK)

NO.	SERVICE NO.	SERVICE NAME	Q'TY/SET	REMARKS
			R-WB480PRU2	
100	PTR-WB490P2 089	DRAIN-PAN	1	
101	PTR-WB490P2 090	CORD-COMP	1	**
102	PTR-Z610EG9 002	CORD-CASE	1	
103	PTR-F-136 022	RUBBER RING W1	1	
104	PTR-WB490P2 091	DRAIN-PIPE-BAND	1	
105	PTR-SF37WVPH 053	OVERLOAD RELAY	1	**
106	PTR-SF37WVPH 052	TERMINAL-COVER	1	
107	PTR-SF37WVPH 051	COMP COVER LOCK	1	
108	PTR-T190W 036	PIN	2	
109	PTR-T270W 010	R-GROMMET	4	
110	PTR-WB490P2 092	COMPRESSOR-BASE	1	
111	PTR-SF37WVPH 006	ROLLER	2	
112	PTR-923V 061	ROLLER PIN	2	
113	PTR-WB490P2 093	UP-CARTON	1	
114	PTR-WB490P2 094	UP-CUSHION	1	
115	PTR-WB480PN 001	FRONT CUSHION	2	
116	PTR-570EN4 006	SIDE CUSHION	2	
117	PTR-WB480PR 002	CARTON-BOX-R-WB480PRU2 (GBK)	1	
118	PTR-Z600AS7 007	POLY-BAG-WY '07	1	
119	PTR-WB490P2 100	CARTON-BASE-BF	1	

\*\* : RELATED PART FOR COOLING SYSTEM

# HITACHI