

USER MANUAL

ICE MAKER

With automatic ice-cube dispenser

Model:HZB-12D

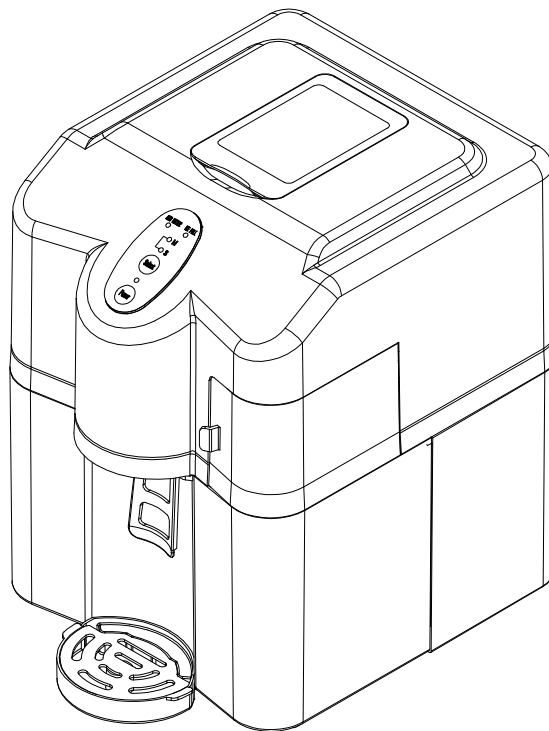


TABLE OF CONTENTS

IMPORTANT SAFETY INSTRUCTIONS	2
PREPARING YOUR ICE MAKER FOR USE	
IMPORTANT SAFETY TIPS.....	3
GETTING TO KNOW YOUR UNIT	4
OPERATING PROCEDURES & MAINTENANCE	
UNPACKING YOUR ICE MAKER.....	5
CONNECTING YOUR ICE MAKER.....	5
CLEANING AND MAINTAINING YOUR ICE MAKER.....	5
USING YOUR ICE MAKER	6
TROUBLESHOOTING.....	8
TECHNICAL PARAMETERS & CIRCUIT DIAGRAM	8
Technical Parameters.....	8
Circuit Diagram.....	9
DISPOSAL INFORMATION	9

IMPORTANT SAFETY INSTRUCTIONS

Your safety and the safety of others are very important.

We have provided many important safety messages manual and your appliance.
Always read and obey all safety messages.

This is the safety alert symbol:



All safety messages will follow the safety alert symbol and the word “DANGER” or “WARNING”.

 **DANGER**

 **WARNING**

These words mean:

You can be killed or seriously injured if you don't immediate follow instructions.

All safety messages will tell you what the potential hazard is, tell you how to reduce the chance of injury, and tell you what can happen if the instructions are not followed.

PREPARING YOUR ICE MAKER FOR USE

IMPORTANT SAFETY TIPS

When using electrical appliances, basic safety precautions should be followed to reduce the risk of fire, electric shock, and injury to persons or property. Read all instructions before using any appliance.

- Do not operate this , or any other appliance with a damaged cord.

If the supply cord is damaged, it must be replaced by the manufacturer or its service agent or a similarly qualified person in order to avoid a hazard.

This ice-maker must be positioned so that the plug is accessible .

Connect to properly grounded outlets only. No other appliance should be plugged into the same outlet. Be sure that the plug is fully inserted into the receptacle.

- Do not run the power cord over carpeting or other heat insulators. Do not cover the cord. Keep cord away from traffic areas, and do not submerge in water.
- We do not recommend the use of an extension cord, as it may overheat and become a risk of fire. If you must use an extension cord, use No.0.75mm² minimum size and rated no less than 16A/250V~ with a plug.
- Unplug the ice maker before cleaning or making any repairs or servicing.
- Exercise caution and use reasonable supervision when appliance is used near children.
- Do not use your ice-maker outdoors. Place the ice-maker away from direct sunlight and make sure that there is at least 15 centimeters of space between the back of your unit and wall. Keep a minimum distance of 15 centimeters on each side of your unit free.
- Do not use other liquid to make the ice-cube other than water.
- Do not clean your ice maker with flammable fluids. The fumes can create a fire hazard or explosion.
- Do not tip over.
- If the ice maker is brought in from outside in wintertime, give it a few hours to warm up to room temperature before plugging it in.
- This appliance is not intended for use by persons (including children) with reduced physical, sensory or mental capabilities, or lack of experience and knowledge, unless they have been given supervision or instruction concerning use of the appliance by a person responsible for their safety.
- Children should be supervised to ensure that they do not play with the appliance.

WARNING: This appliance must be earthed.

IMPORTANT:

The wires in this mains lead are colored in accordance with the following code:

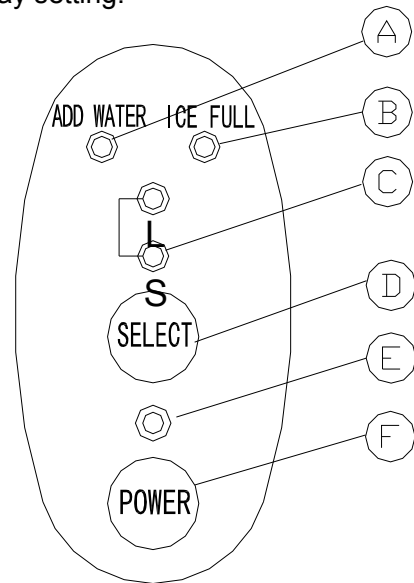
Green and yellow:	Grounding
Blue:	Neutral
Brown:	Live

To avoid a hazard due to instability of the appliance, it must be placed at a even or flat surface.

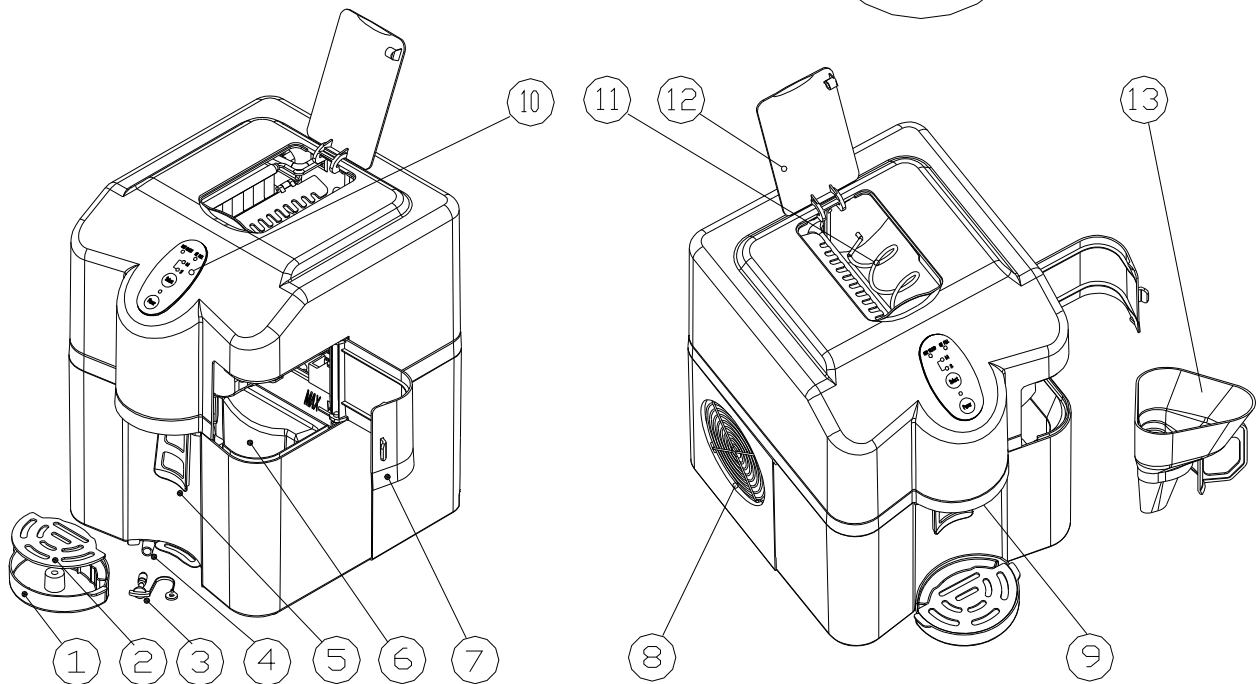
GETTING TO KNOW YOUR UNIT

1. Water drip tray:
2. Cover of the water drip tray: Also used for the support of the ice-cube container
3. Water drain cap: For draining water from water reservoir.
4. Water drain port
5. Push button for ice-cube
6. Internal water reservoir
7. Access door for filling water into the reservoir
8. Hot Air outlet
9. Ice-cube tap
10. Control Panel: Easy to use, visible functions touch display setting.

- A.: No water in the water reseviior displaying
- B.: Ice-Full displaying
- C.: Selected ice size displaying: Small and Large.
- D.: Button to select the size of the ice cube
- E.: Power indicator
- F.: Button to turn on/off the unit.



11. Moving shaft for the Ice-cube
12. Transparent window for checking
13. Water filling funnel



OPERATING PROCEDURES & MAINTENANCE

UNPACKING YOUR ICE MAKER

1. Remove the exterior and interior packaging. Check that accessory is included first. If any parts are missing, please contact our customer service.
2. Remove all the tapes on the unit. Open the transparent window, take out the water filling funnel and the plastic soft tube(if supplied).
3. Clean the interior (such as water reservoir, moving shaft for Ice-cube etc.) with lukewarm water and a soft cloth.
4. Find a location for your ice maker that is protected from direct sunlight and other sources of heat (i.e.: stove, furnace, radiator). Place the ice maker on a level surface. Make sure that there is at least 15 centimeters of space between the back and sides of your ice maker and the wall.
5. Allow one hour for the refrigerant fluid to settle before plugging your ice maker in.
6. The appliance must be positioned so that the plug is accessible.

CONNECTING YOUR ICE MAKER



***Improper use of the grounded plug can result in the risk of electrical shock. If the power cord is damaged please call our customer service.**

1. This unit should be properly grounded for your safety. The power cord of this appliance is equipped with a grounding plug which mates with standard grounding wall outlets to minimize the possibility of electric shock.
2. Plug your appliance into an exclusive, properly installed, grounding wall outlet. Do not under any circumstances, damage the grounding means of the plug. Any questions concerning power and/or grounding should be directed toward a certified electrician.
3. This appliance requires a standard 220-240Volt, 50Hz electrical outlet with good grounding means.

CLEANING AND MAINTAINING YOUR ICE MAKER

Before using your ice maker, it is strongly recommended to clean it thoroughly.

Unplug the unit before cleaning or making any maintenance.

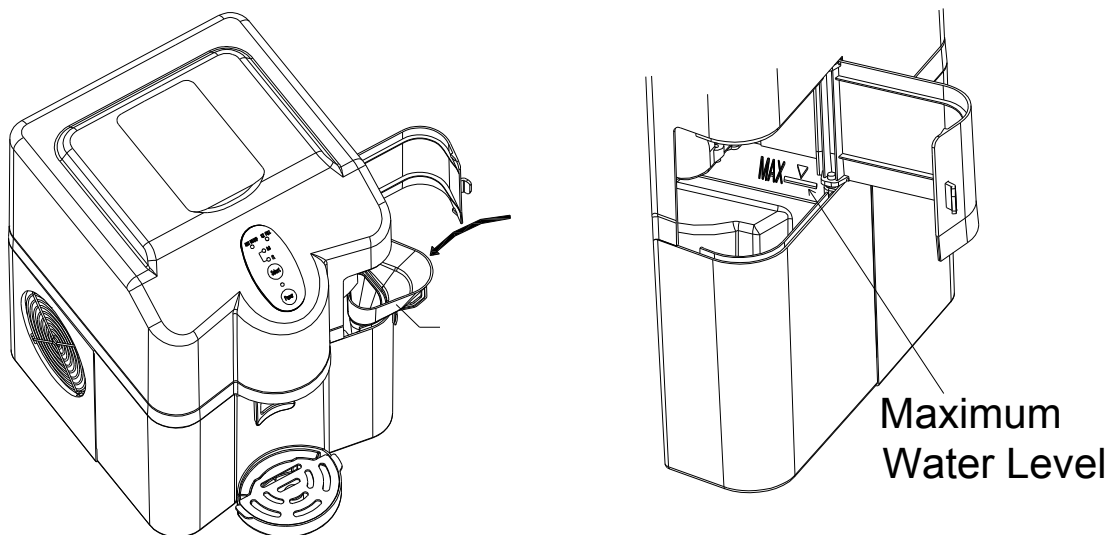
1. Take out the water filling funnel and the plastic soft tube(if supplied).
2. Clean the interior with diluted detergent, warm water and a soft cloth. First pour the warm water with diluted detergent into the internal water reservoir and the space below the transparent window (Note: Place a container on the cover of the water drip tray first because the water will flow out from the ice-cube tap), then use the soft cloth to wipe the surface.
3. Again use the water to rinse the inside parts, and drain out the water by unplugging the drain cap on the bottom.
4. The outside of the ice maker should be cleaned regularly with a mild detergent solution and warm water.
5. Dry the interior and exterior with a soft cloth.
6. When the machine is not in use for a long time, open water drain cap to drain out water completely from water reservoir.

WARNING: fill with portable water only.

USING YOUR ICE MAKER

How to start the unit

1. Open the access door for filling water, pour water into water reservoir through the filling water funnel. Filling with potable water only.
Keep water level **below** the “MAX” water level mark.



2. Press “Power” button on the control panel to begin the ice making cycle.
3. The default size of ice-cube is Medium. If you want to select the size of the ice cube again, just press the “Select” button. If the room temperature is lower than 1 °C, it is recommended to select the small size in order to avoid ice sticking together.
4. The ice making cycle lasts 6 to 13 minutes, depending on the size of the ice cube selection and the ambient temperature. In the extreme hot room temperature, ice-making time maybe vary a lot.
5. While the icemaker is on, verify water level periodically. If water pump can’t inject water, the ice maker will stop automatically, and the “Add Water” indicator will be on.
Press “Power” button, fill water up to the level mark and press “Power” button again to turn on the unit again.
Allow the refrigerant liquid inside the compressor at least 3 minutes to settle before restarting.

When Ice Full indicator is on

6. The ice maker automatically stops working when the ice-cube is full inside and the “Ice Full” indicator will be on.

How to acquire the ice-cube

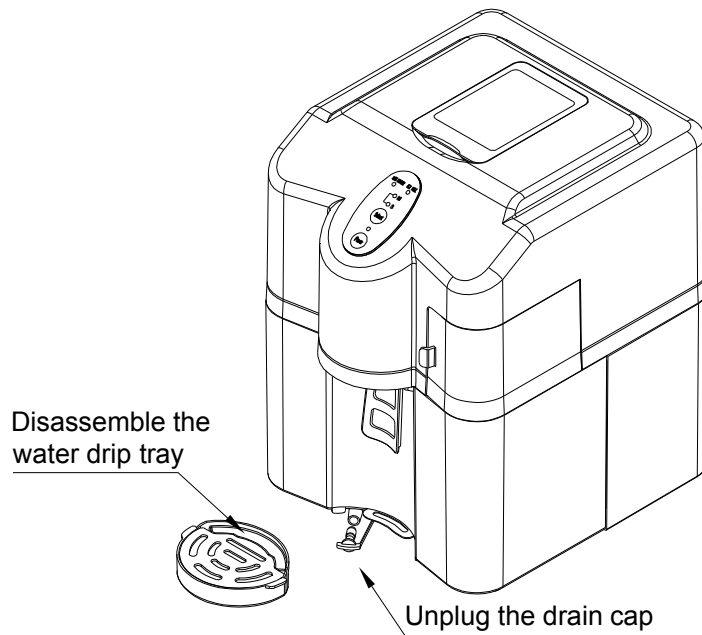
7. Use your ice-cube container to push forward the push button for ice-cube (No.5 displayed in above diagram), push it always, then the moving shaft for the ice-cube will activate, the ice-cube will fall down into your ice-cube container from the ice-cube tap.

Note: Be sure to close the transparent window on the top of the unit when you want to get the ice-cube, otherwise the moving shaft for the ice-cube will not start to work.

The blue light will light on when you push forward the push button, if this blue light is not on, the ice-cube will not fall down.

How to drain out the water inside the unit

- When you clean the unit or change the drinkable water, need to drain out the left water in the water reservoir, please disassemble the water drip tray first, then unplug the water drain cap, the water will flow out from the unit completely. If the unit is supplied with the plastic soft tube, connect this soft tube with the water drain port, it can help you drain out the water easily.



- Change water in the water reservoir every 24 hours to ensure a reasonable hygiene level. If unit isn't in use, drain all water left in the water reservoir.

TROUBLESHOOTING

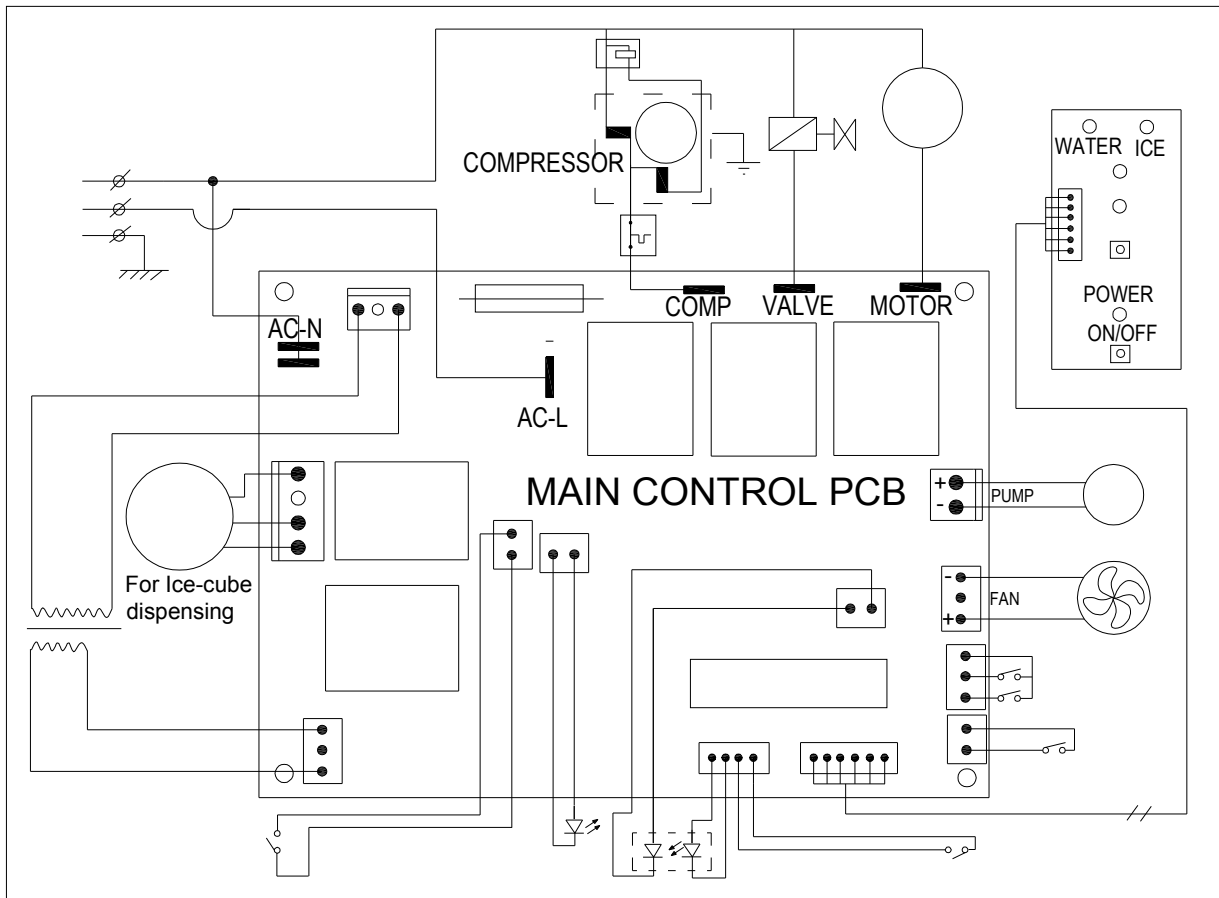
PROBLEM	POSSIBLE CAUSE	SOLUTION
Add Water” indicator is on.	Lack of Water.	Stop the ice maker, fill water, and press “Power” button again to restart the unit.
“Ice Full” indicator is on.	There is too much ice.	Remove ice from ice basket.
Ice cubes stick together.	The ice cycle is too long.	Stop the ice maker, and restart it when the ice blocks melt. Select the small size ice cube selection.
	Water temperature in inner tank is too low.	Change the water in the inner Tank. Temperature of water is better set between 32
There are ice-cube inside the unit, but can’t dispense the ice-cube when you push the button.	The transparent window is opened.	Close the transparent window door.
	Moving shaft for the Ice-cube is blocked.	Release the Push button for ice-cube for 3 seconds, then again push the button.
Ice making cycle is normal but no ice is made.	Ambient temperature or water temperature in inner tank is too high.	Please run the ice maker below 3 and pour colder water into tank.
	Refrigerant liquid leakage.	Verify by a qualified technician.
	Pipe in the cooling system is blocked.	Verify by a qualified technician.

TECHNICAL PARAMETERS & CIRCUIT DIAGRAM

TECHNICAL PARAMETERS

Model	HZB-12D
Protection Type	I
Climate Type	N /SN/ST/ T
Power	220-240V/50Hz
Ice Making Current	0.8A
Ice Harvest Current	1.2A
Refrigerant	R134a/68g
Vesicant	C ₅ H ₁₀
Net Weight	11.2Kg
Enclosure	Plastic

CIRCUIT DIAGRAM



Disposal Information

Correct Disposal of this product



This marking indicates that this product should not be disposed with other household wastes throughout the EU. To prevent possible harm to the environment or human health from uncontrolled waste disposal, recycle it responsibly to promote the sustainable reuse of material resources. To return your used device, please use the return and collection systems or contact the retailer where the product was purchased. They can take this product for environmental safe recycling.

Note: Blowing gas inside the unit is flammable, disposal of these material shall be in accordance with national regulations.