

User Manual

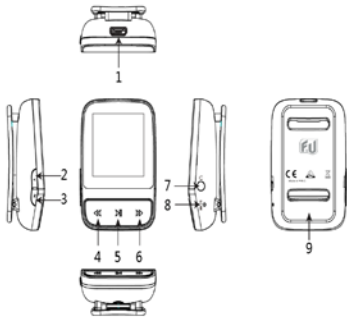


Media Player MP5618 / MP5628

1. Key features

- 1.44 inch TFT screen
- Support MP3, WAV, FLAC, APE formats audio
- Support MPEG-4 (AMV) format video
- Support FM Radio
- Lyric display synchronously
- Multi EQ modes and repeat modes
- Support JPG format picture view
- Built-in microphone for long time recording
- Support txt E-book reading
- Multi-Languages OSD menu

2. Player Layout



1. USB port
2. volume+/-
3. Menu/OK
4. last / fast backward
5. Power on/off & play/pause
6. Next / fast forward
7. earphone port
8. microphone/reset
9. sport clip

3. Operation instruction

• Power On / Off

In the status of power off, long press ►|| button to turn on the player;

In the status of power on, long press ►|| button to turn off

the player.

• Basic Operation

In main menu interface, press ◀◀/▶▶ to select option, press ►|| button to enter. press **Menu / OK** button to show time interface.



3.1 Music

In Main interface, press ◀◀/▶▶ to select **Music** menu, then press ►|| to enter music play interface.

Play / Pause: short press ►|| to play or pause the music playing.

Last / next: short press ◀◀ or ▶▶ to get to last music or next music.

Fast backward / Fast forward: long press ◀◀ or ▶▶ to fast backwards or forwards the music.

Volume: short press **V** to enter into volume status, then short press ◀◀ or ▶▶ to adjust volume up or down.

A-B repeat: press ▶▶ to set repeat start point A, press ▶▶ again to set repeat end point B. Then player will repeat the segment. The third time press **Menu / OK** button will cancel A-B repeat and resume normal playback.

Lyric show: To show the lyric, the lyric file (eg. Abcde.lrc) should be in same name as music file (eg. Abcde.mp3) and both files should be in the same folder.

Set EQ: please get to **Settings > Music** to set EQ. (reference to 3.8.1)

Set Play/Repeat mode: please get to **Settings > Music** to set Play mode. (reference to 3.8.1)

Remark: the player support audio formats of .mp3, .wma, .wav, .flac, .ape.

3.2 Video

In Main interface, press ◀◀/▶▶ to select **Video** menu, then press ►|| to enter video file list. Press ◀◀/▶▶ to select video file, press **Menu / OK** button to return main interface.



Play / Pause: short press ►|| to play or pause the video playing.

Last / next: short press ◀◀ or ▶▶ to get last or next video.

Fast backward / Fast forward: long press ◀◀ or ▶▶ to fast backwards or forwards the video.

Volume: short press **V** to enter into volume status, then short press ◀◀ or ▶▶ to adjust volume up or down.

Video file list: in playback interface, press **Menu / OK** button to get to folder/file list. Press ◀◀/▶▶ to select video file, press **Menu / OK** button to play it.

Remark: the player support video formats of .amv. Resolution should be 128x128. Please use video converting tool in gift CD to convert the video to which this player support (reference to point 5).

3.3 Record

In Main interface, press ◀◀/▶▶ to select **Record** menu, then press ►|| to enter recording interface.



Record / Pause: short press ►|| to record or pause.

Stop: long press **Menu / OK** to save file and get to main interface, or long press ►|| button to save file and turn off the

player. File of recorded voice are saved in folder of VOICE

3.4 Voice

In Main interface, press ◀◀/▶▶ to select **Voice** menu, then press ►|| to enter voice recording interface.



Play / Pause: short press ►|| to play or pause the voice recording..

Last / next: short press ◀◀ or ▶▶ to get to last voice recording or next recording.

Fast backward / Fast forward: long press ◀◀ or ▶▶ to fast backwards or forwards the voice recording.

Volume: short press **V** to enter into volume status, then short press ◀◀ or ▶▶ to adjust volume up or down.

3.5 FM Radio

In Main interface, press ◀◀/▶▶ to select **FM Radio** menu, then press ►|| to enter FM radio interface.



Manual Scan: short press ◀◀/▶▶ to select frequency manually, Long press ◀◀/▶▶ player will auto scan and stop till it find channel.

Auto Scan: press **Menu / OK** button to show options, press ◀◀/▶▶ to select **Auto Search** then press **Menu / OK** button. Then the player will scan channels and set the found channels to Preset one by one. After auto scan, it'll get to the first preset channel. Press ►|| to get to preset channels one by one.

Save Channel: press **Menu / OK** button to show options, short press ◀◀/▶▶ to select **Save** then press **Menu / OK** button.

Delete Channel: press **Menu / OK** button to show options, short press ◀◀/▶▶ to select **Delete** then press **Menu / OK** button.

Volume: short press **V** to enter into volume status, then short press ◀◀ or ▶▶ to adjust volume up or down.

Remark: Earphone should connect to player as an antenna. Otherwise the player can not receive channels.

3.6 Pedometer

In Main interface, press ◀◀/▶▶ to select **Pedometer** menu, then press ►|| to enter Pedometer interface.



Press ◀◀/▶▶ to select file, then press **Menu / OK** button to enter.

Local folder: short press **Menu / OK** button to select music file

Pedometer: short press **Menu / OK** button into pedometer interface

Exit: exit pedometer interface and into main interface

3.7 Photo

In Main interface, press ◀◀/▶▶ to select **Photo** menu, then press ►|| to enter picture list. Press ◀◀/▶▶ to select picture file, press ►|| to view the picture.



Last / next: short press ◀◀/▶▶ to display last or next picture.

Auto Browse: short press ◀◀/▶▶ the player will display

pictures one by one automatically. (Auto Browse setting reference to point 3.8.5)

Photo file list: in photo display interface, press ►|| to get to folder/file list. Press ◀◀/▶▶ to select photo file, press ►|| button to display it.

3.8 TEXT

In Main interface, press ◀◀/▶▶ to select **Text** menu, then press ►|| to enter E-book file list. Press ◀◀/▶▶ to select E-book file, press ►|| button to view the text.



Manual Browse: short press ◀◀/▶▶ to browse up or down page by page.

Auto Browse: Long press ◀◀/▶▶ to browse page by page automatically. (Auto Browse setting reference to point 3.8.3).

Save Bookmark: press ◀◀/▶▶ to select save position, press **Menu / OK** button, then press ◀◀/▶▶ to select Bookmark add.

Load Bookmark: short press **Menu / OK** button, then press ◀◀/▶▶ to select bookmark, press **Menu / OK** button to load.

Text file list: in text browse interface, press ►|| to get to folder/file list. Press ◀◀/▶▶ to select text file, press ►|| button to browse it.

3.9 Game

In Main interface, press ◀▶ to select **Game** menu, then press ▶|| to enter game interface.



Key function:

▶||: play or pause

Menu / OK: Change cube direction

◀▶: move cube left or right

3.10 Explorer

In Main interface, press ◀▶ to select explorer menu, then press ▶|| to enter explorer.



Play / Open file: press ◀▶ to select file/folder, press **Menu / OK** button to play or open it. If the file is not supported by this player, it can not play or open.

Delete file: in file list, press ◀▶ to select file then press **V** button, there will be a warning, select **Yes** to delete file, or select **No** to cancel deleting.

3.11 Settings

In Main interface, press ◀▶ to select **Settings** menu, then press ▶|| to enter setting options.



3.8.1 Music:

● Repeat mode

Once: play one music one time.

Repeat one: repeat current music again and again.

Folder once: play all music in current folder one time.

Folder repeat: repeat all music in current folder.

All once: play all the music in memory one time.

All repeat: repeat all the music in memory.

Intro: play the first 10 seconds of each music.

● Play mode

Order: play music in order.

Shuffle: play music in random.

● EQ Select

Natural, Rock, Pop, Classic, soft, Jazz, DBB

● MS PlayFX Set

3D HeadPhone, Pure Bass

● User EQ Set

Set EQ by user. Press ◀▶ to select, press **Menu / OK** button to confirm and get back.

3.8.2 Record:

● Record Quality

Set high or normal record quality.

● Record Volume

Set record volume level.

3.8.3 Text:

● Auto play SW:

Turn on or off for text auto page.

● Auto play time:

Set gap time for text auto page.

3.8.4 FM Radio:

● Stereo SW

Set FM stereo on or off.

● FM Region

Set FM receiving region. Four options: China, Europe, Japan, USA.

3.8.5 Photo:

● Auto play SW:

Turn on or off for photo auto scroll.

● Auto play time:

Set gap time for photo auto scroll.

3.8.6 Display:

● Backlight Time

Set the time if no operation on play, the backlight will turn off.

● Lum / Brightness

Set the display brightness level.

● Backlight Mode

Normal: screen will be semi dark when time's up;
Power Save: screen will be all dark when time's up.

3.8.7 Power Off Time:

Set auto power off time.

3.8.8 Language:

Set player menu language.

3.8.9 System:

● About

View the player information of firmware version, date and memory status.

● Upgrade

Upgrade firmware setting. (Reference to point 4)

● Default Set

Set the system to original.

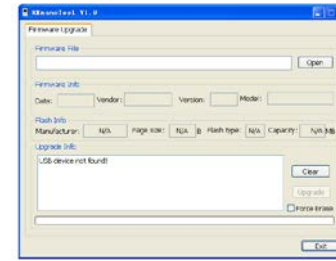
3.8.10 Exit:

4. Firmware upgrade

If the player doesn't work or works sub normally, find the firmware upgrade tool and firmware in player to upgrade the player. Processes as bellow:

Note before updating: a. Don't upgrade firmware if playing properly. b. Backup files to other storage before upgrade.

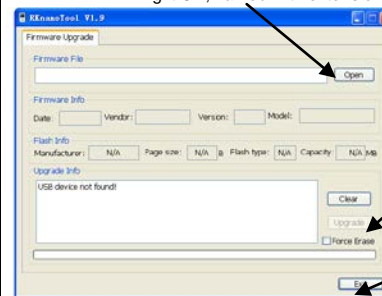
A. Find the software file Action Tool.exe from folder of Upgrade Tool in player. Click it to show below dialog box:



B. Set the player to Settings>System>Upgrade, click it show warning of Firmware upgrade; select Yes and then connect the player to PC using USB cable. (In case if player can't turn on, hold **Menu / OK** button and connect player to PC using USB cable at the same time, till PC find the player storage.). If connect successful, the dialog box will show "UsbBoot download successfully!" and show flash information, then do as below point c. If connection failed, the dialog box will show "USB device not found!", then connect again.

C. After connecting successfully, do as below

- 1) Select firmware. (firmware file is in gift CD, named with extension .BIN).



- 2) Click Update.
- 3) Till it finish, click Exit

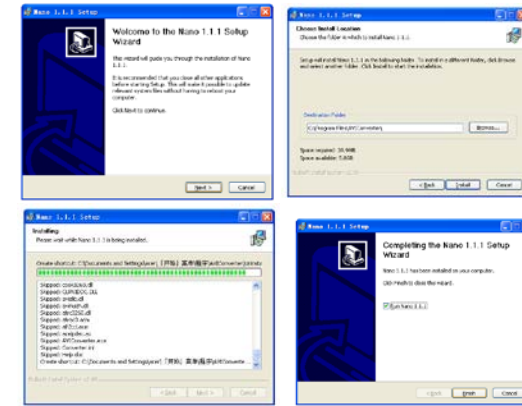
D. Disconnect the player from PC, start the player again. The player will work properly.

5. Video Convert

The player support video of AMV format in resolution of 128x128. Please use the software in player to convert the video. The AMVConverter supports multi kind of video formats (AVI, RM, RMVB, MPG, MPG4, ASF, DAT, WMV, etc) convert to AMV format.

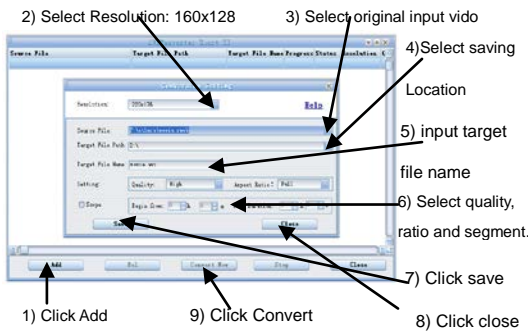
5.1 AMV Converter Tool Setup

Click software Nano_Video_convert.exe in player; then follow the steps to setup the AMV Converter tool to PC.



5.2 Convert Video to AMV format

From PC>Program to run AMV Converter as below picture and steps for converting:



After converting, copy the converted video file to the player, then enjoy it through player.

6. Accessories:

Earphone 1 piece; USB cable 1 piece; user manual 1 piece; Sport band 1 piece

7. Notice about recycling

Your product is designed and manufactured with high quality materials and components which can be recycled and reused.

This symbol means that electrical and electronic equipment, at their end-of-life, should be disposed of separately from your household waste.



Please dispose of this equipment at your local community waste collection/recycling centre. In the European Union there are separate collection systems for used electrical and electronic products. Please help us to conserve the

environment we live in!

8. Declaration of Conformity

This product complies with the requirement of below directives:

EMC Directive: 2004 / 108 / EC

Low Voltage Directive (LVD): 2006 / 95 / EC

ErP Directive: 1275/2008/EC

Restriction of Hazardous Substance (RoHS) Directive:
2002/95/EC

R&TTE Directive: 1999/5/EC



EXCLUSIVE IMPORTER IN GREECE:

Amiridis – Savidis S.A.

▪ 33, Vas. Olgas Street – P.C. 54641 – Thessaloniki, Greece.

Tel: +30 2310-850107, 2310-850108, Fax: +30 2310-867835

▪ 45 Posidonos St. – P.C. 18344 – Moschato, Athens, Greece

Tel: +30 210 9402064, Fax: +30 210 9402137

www.amiridis-savidis.gr