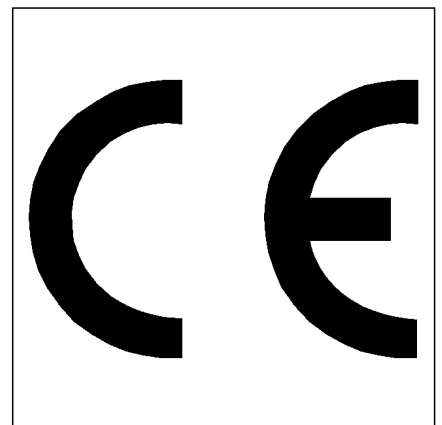
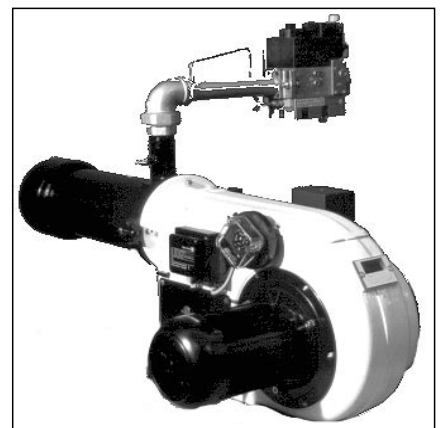


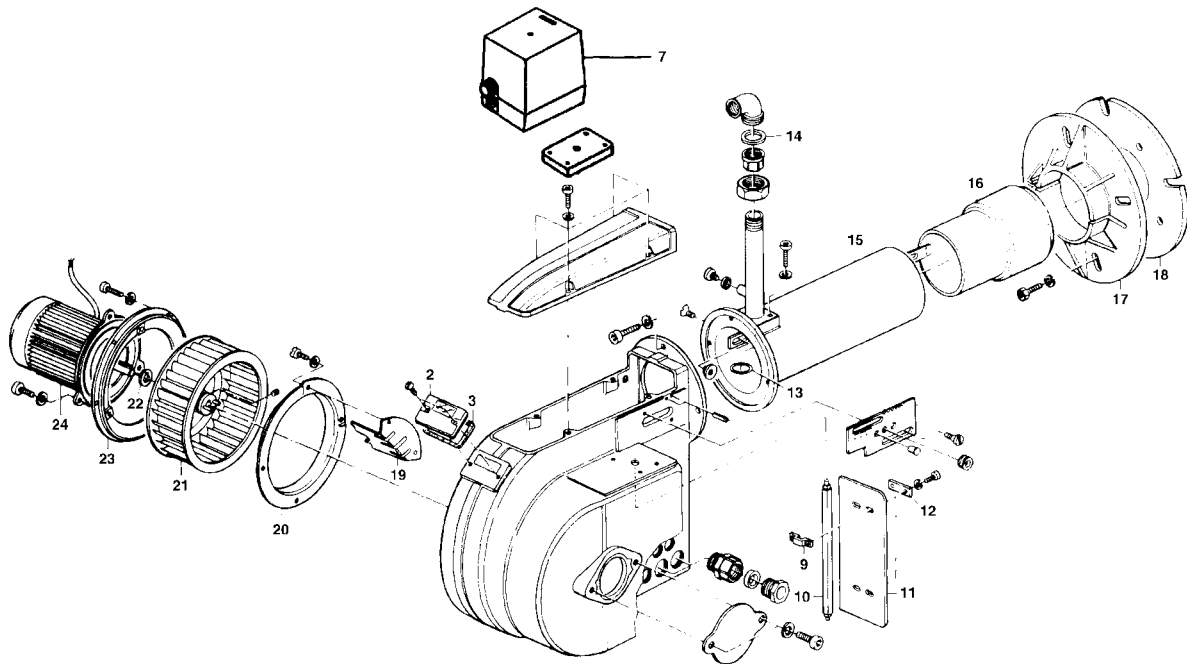
Operating instructions for authorized experts

Gas burners EK 3.60/80 G/F-ZVA



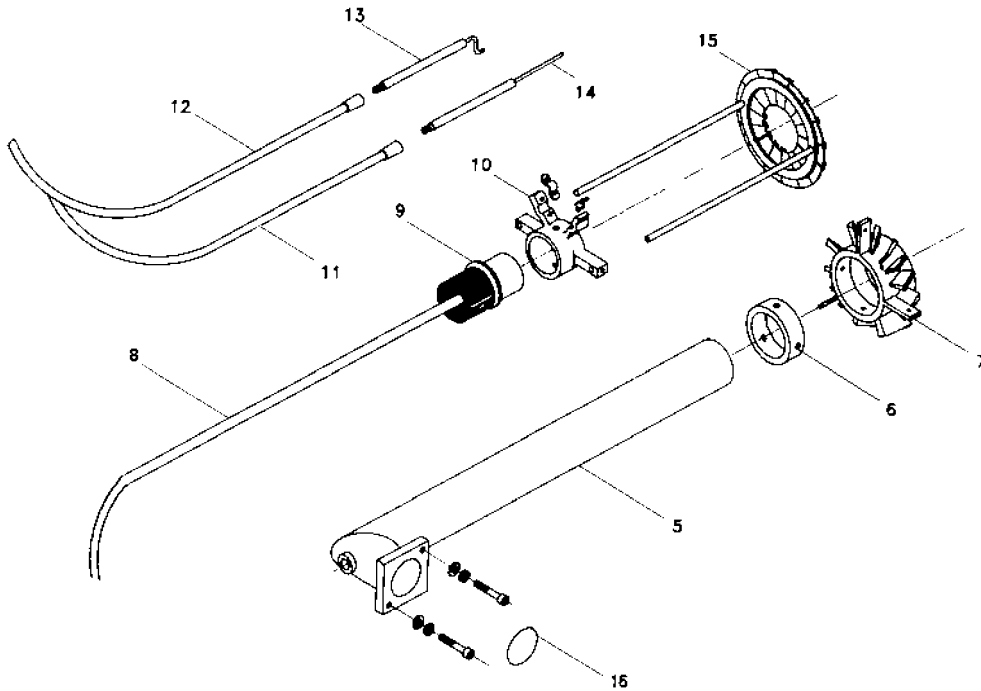
CE certificate type n°49/AR/1729

Spare parts



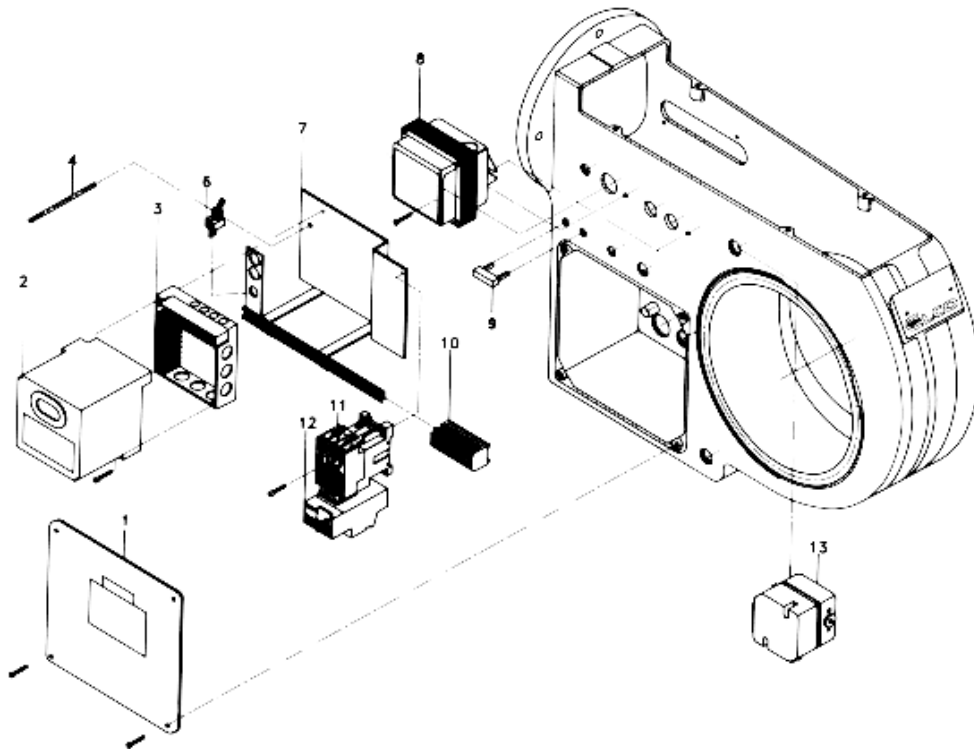
Position	Description	Code	E Nr	Factory Nr
2	Sight glass	PLA	13 020 461	13 020 461
3	Seal for sight glass	JOI	014682	13 014 402
6	Graduated plate	PLA	212814	13 014 440
7	Servomotor GZVA SQN31.251A2730 Servomotor GZVAm SQN31.402A2730	SMO SMO	263641 262434	13 011 892 13 013 233
9	Air flap spindle flange	BRI	013602	13 014 411
10	Air flap spindle	AXE	009693	13 012 884
11	Air flap	VOL	009694	13 013 373
12	Air flap retaining plate	PLA	003464	13 014 235
14	Seal for union	JOI	103133	13 014 223
15	Short flame tube	TUB	106922	13 014 441
16	Combustion chamber EK 3.60 EK 3.80	POT POT	106125 212447	13 013 157 13 013 167
17	Flange 159 mm	BRI	012930	13 012 909
18	Seal for flange 159 mm	JOI	012931	13 013 096
19	Air intake shoe	TOL	009702	13 014 205
20	Air intake steel sheet	TOL	009703	13 014 206
21	Air fan Ø218 mm height 90 mm	TUR	106936	13 013 331
22	Motor retaining flange	BRI	009649	13 014 442
23	Distance piece for air fan	ENR	014135	13 014 443
24	Motor EK 3.60 0.55 kW EK 3.80 0.92 kW	MOT MOT	100821 100834	13 013 124 13 013 125
	Pivoting flange	BRI	216156	13 014 444
	Seal for pivoting flange	JOI	103197	13 014 445

Spare parts



Position	Description	Code	E Nr	Factory Nr
5	Gas pipe	CAN	106926	13 014 446
6	Retaining connecting flange	BRI	106392	13 014 447
7	Turbulator EK 3.60 EK 3.80	ANN ANN	106283 106932	13 012 864 13 014 448
8	Diffusor line	LIG	106928	13 014 449
9	Diffusor 20 mbar 300 mbar 37 mbar	DIF DIF DIF	106929 106930 106931	13 013 014 13 013 015 13 013 016
10	Electrode support	SUP	106912	13 013 243
11	Ignition cable	CAB	106916	13 012 937
12	Ionisation cable	CAB	106919	13 012 937
13	Ignition electrode	ELE	106935	13 013 040
14	Ionisation probe	ELE	213200	13 013 050
15	Turbulator EK 3.60 EK 3.80	ANN ANN	106933 106934	13 012 867 13 012 868
16	Gas pipe seal	JOI	103431	13 013 104

Spare parts



Position	Description	Code	E Nr	Factory Nr
2	Control unit LGB 22.230B27 GZVA LFL 1.333 GZVAm	REL	106799	13 009 202
		REL	263598	13 013 222
3	Base for control unit LGB22 LFL 1.333	SOC	120564	13 011 794
		SOC	104338	13 011 762
6	OFF/ON reversing switch	INV	262424	13 011 030
	Reversing switch +/- GZVAm	INV	262423	13 013 764
	Auto/manu reversing switch GZVAm	INV	262422	13 011 030
8	Ignition transformer ZE 30/75	TRA	263064	13 013 261
9	Bridge plug	FIC	106025	13 013 062
11	Excess current switch	CON	104229	13 012 991
12	Thermal relay EK 3.60 EK 3.80	THR	104706	13 013 248
		THR	104806	13 013 249
13	Air pressure switch DL3A	PRE	262373	13 013 183
	7 pin socket male	PRI	106155	13 009 670
	6 pin socket male	PRI	106905	13 014 451
	4 pin socket male	PRI	104768	13 009 667
	Time delay relay (EK3.80...)	REL	105044	13 010 452

Gas trains - Spare parts



Description				Code	E Nr	Factory Nr
Gas valve alone						
EK 3.60/80	20/37	mbar	MB VEF 420B01S10	GRV	106899	13 014 505
EK 3.60	300	mbar	MB VEF 407B01S30	GRV	106900	13 014 506
EK 3.60	37	mbar	MB VEF 412B01S10	GRV	106901	13 014 507
EK 3.80	20	mbar	MB VEF 425B01S10	GRV	106898	13 014 508
EK 3.80	300	mbar	MB VEF 412B01S30	GRV	106853	13 014 509
Flange upstream/downstream						
EK 3.60/80	20/37	mbar	Ø 1"1/2	BRI	106902	13 007 858
EK 3.60/80	300	mbar	Ø 3/4	BRI	106761	13 012 918
EK 3.60	37	mbar	Ø 1"1/4	BRI	106791	13 010 085
EK 3.80	20	mbar	Ø 2"	BRI	106903	13 010 043
Seal for flange						
EK 3.60/80	Ø 1"1/2 / Ø 3/4			JOI	106981	13 014 510
EK 3.60/80	Ø 1"1/4			JOI	106980	13 014 511
EK 3.60/80	Ø 2"			JOI	106980	13 014 512
Min. gas pressure switch						
EK 3.60/80	GW150 A5			PRE	106904	13 010 078
EK 3.60/80	GW500 A5			PRE	106879	13 010 091
Hose				FLE	106698	13 013 081
Magnet coil						
EK 3.60/80	20/37	mbar	MB VEF 420B01S10	BOB	106977	13 011 726
EK 3.60	300	mbar	MB VEF 407B01S30	BOB	106975	13 010 083
EK 3.60	37	mbar	MB VEF 412B01S10	BOB	106978	13 010 084
EK 3.80	20	mbar	MB VEF 425B01S10	BOB		13 012 901
EK 3.80	300	mbar	MB VEF 412B01S30	BOB	106981	13 010 084