

Outdoor IR Camera

DVR / Camera Communication System Series



Please read instructions thoroughly before operation and retain it for future reference.
For the actual display & operation, please refer to your product in hand.

OVERVIEW

This outdoor IR camera is a controllable camera, allowing users to manually adjust & set camera parameters from a DVR without additionally connecting RS485 control wires. It can be used with our DCCS DVR series for directly control, or with other brand's DVR controlled via our optional DCCS control box.

FEATURES

- Supports DVR / Camera Communication System (DCCS) Technology
 - There's no need to additionally connect RS485 control wires for camera control because the control signals can be transferred by coaxial cables directly.
 - Camera installation is highly simplified to lower labor cost and working hours.
- True Day & Night surveillance with IR shifter & large aperture lens (F1.4)
- The best cost / performance outdoor solution with IP67
- IR effective distance up to 30 meters with 35 IR LEDs
- Smart Light Control to avoid overexposure

SPECIFICATIONS

MODEL	Outdoor IR Camera
Pick up Element	1/3" HR color CCD
Number of Pixel	768(H) x 494(V) <NTSC> / 752(H) x 582(V) <PAL>
Resolution	520 TVL
Min. Illumination	0.15 Lux / F1.4, 0 Lux (IR ON)
S/N Ratio	More than 48dB (AGC off)
Electronic Shutter	1/60 (1/50) to 1/100,000 sec
Lens	f4.0mm ~ f9.0mm
Lens Angle	75° ~ 36°
IR LED	15 Units
Effective Distance	30m
IR Shift	YES
Smart Light Control	YES
White Balance	ATW
AGC	Auto
IRIS Mode	AES
IP Rating	IP67
Video Output	1.0 Vp-p composite, 75Ω
Operating Temperature	-5°C~40°C
Power Source (±10%)	DC12V
Current Consumption (±10%)	150mA (IR OFF) / 520mA (IR ON)
Dimensions (mm)**	142(H) x 75 (Φ)
Optional Peripheral	DCCS Box

* Specifications are subject to change without notice.

** Dimensional Tolerance: ± 5mm

PACKAGE CONTENT

- IR camera
- User Manual
- Bracket

INSTALLATION

1. Use the supplied three screws to attach the bracket to wall. Drill a hole in advance on the proper position of the wall for the Power and Video Cable to pass through later.
2. Remove the Joint Lock from the bracket by turning it counterclockwise. Then, screw the Joint Lock to the backside of the camera (turn clockwise)*.

NOTE: There are two screw holes on the backside of the camera. Please choose the proper one which best suits your installation environment.

3. Screw the camera with the Joint Lock connected to the bracket. After that, secure the Joint Lock to fix. Then, pass the Power and Video Cable through the hole drilled in Step 1 to hide it.

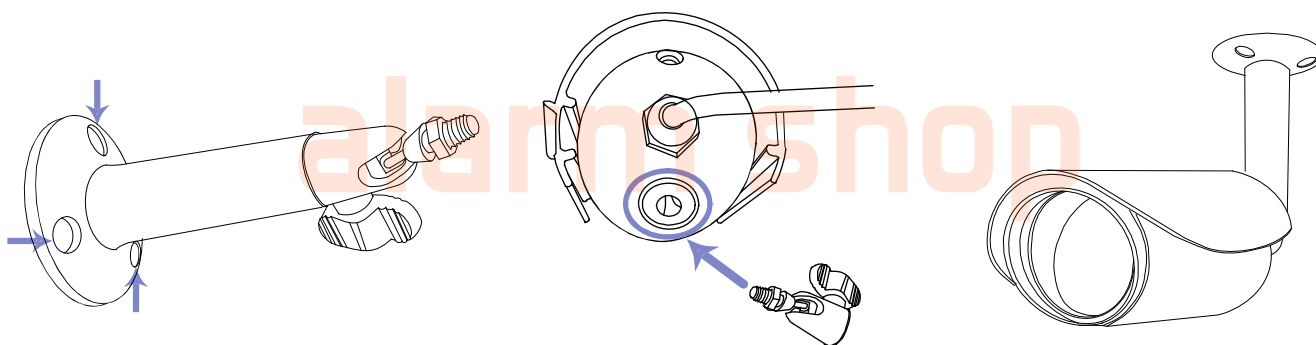


Figure 1

Figure 2

Figure 3

CONNECTION

1. DC12V Input Terminal

Connect the power terminal of the camera to a DC 12V regulated power supply.

NOTE: Please use the correct power adaptor, DC12V (regulated), to operate this unit. The power tolerance of this unit is DC12V \pm 10%. Over maximum DC 12V power input will damage this unit.

2. Video Output Connector (VIDEO OUT)

Connect the camera video output and the monitor video input with 75 Ω coaxial cable.

CAMERA PARAMETER SETTING

This camera supports DVR / Camera Communication System, DCCS, and users are allowed to configure the camera parameters directly from the DVR supporting DCCS technology.

Note: For details about DVRs supporting DCCS, please check with your distributor or reseller.

When this camera is connected to the DVR supporting DCCS, go to “ADVANCE CONFIG” in the main menu, and select “DCCS”.

Note: For connecting this camera to the DVR that doesn't support DCCS, a DCCS box should be separately purchased for camera parameter setting. For details, please check with your distributor or installer.

In “MENU”, select “SETUP” to enter the camera parameter setting page, similar as follows:

CVC SETUP	
BRIGHTNESS	NORMAL
SHARPNESS	NORMAL
COLOR	NORMAL
BACK LIGHT	OFF
AGC	MIDDLE
MIRROR	OFF
COLOR MODE	COLOR
IR CONTROL	IR PRO
RESET DEFAULT	SUBMIT
ZOOM	000
PREV.	NEXT

CVC SETUP	
FOCUS MODE	USER
PREV.	NEXT

1) BRIGHTNESS

Brightness helps to adjust the bright level of image based on different light conditions. The options are: BRIGHT / NORMAL / DARK.

2) SHARPNESS

Sharpness enhances the clarity of image detail by adjusting the aperture and sharpening the edges in the pictures.

The options are: SHARP / NORMAL / SOFT.

3) COLOR

Color helps to adjust the color level of image through the camera.

The options are: COLORFUL / NORMAL / LIGHT.

4) BACK LIGHT

It is the function to adjust the image to compensate for an area that is overpowered by brightness because of excessive light. The image will be properly exposed for clearness. Select to activate (ON) or disable (OFF) this function.

Note: This function is available only in the day mode.

5) AGC

It is a function to adjust the amplitude of the signal input according to different light conditions.

The options are: HIGH / MIDDLE / LOW.

Note: The higher the sensitivity is, the more the signal noise will be.

6) MIRROR

Mirror is used when you want to rotate the images horizontally based on your installation situation.

The options are: ON / OFF.

7) COLOR MODE

Set the color mode as COLOR / BW / AUTO.

8) IR CONTROL

Select "IR PRO" to smartly activate the IR LEDs when needed, "ALWAYS-ON" to always activate the IR LEDs, or "ALWAYS-OFF" to deactivate the IR LEDs.

9) RESET DEFAULT

Click "SUBMIT" to reset the system configurations to default values.

10) ZOOM




Click to adjust the zoom ratio of the camera. 5x zoom is available.

11) FOCUS

This function is used when users are not satisfied with the default focus setting in the daytime or at night, and want to adjust the focus by themselves. Otherwise, "DEFAULT" is selected.

To customize the focus setting, click "USER" to enter the focus setting page. The camera will determine whether the current environment is in the day mode or night mode, and enable the corresponding setting to be adjusted.

There are six setting values respectively for each mode, starting from the 6th value:

	Click to select and adjust the lens focus.
	Click to confirm the setting. The value changed will be shown in red.
	Click to exit.

IMPORTANT SAFEGUARD



All lead-free products offered by the company comply with the requirements of the European law on the Restriction of Hazardous Substances (RoHS) directive, which means our manufacture processes and products are strictly



The crossed-out wheeled bin mark symbolizes that within the European Union the product must be collected separately at the product end-of-life. This applies to your product and any peripherals marked with this symbol. Do not dispose of these products as unsorted municipal waste. Contact your



This apparatus is manufactured to comply with the radio interference requirements.

Disclaimer

The information in this manual was current when released. We reserve the right to revise or remove any content in this manual at any time. We do not warrant or assume any legal liability or responsibility for the accuracy, completeness, or usefulness of this manual. For the actual display & operation, please refer to your product in hand. The content of this manual is subject to change without notice.

alarm shop