

Panasonic

Digital Super Hybrid System

KX-TD816CE

KX-TD1232CE

**Added and Changed Features for
Installation Manual and Programming Tables
Vol. 2**

Please read this manual first and then the Installation Manual.
In this manual, the last letter "CE" of each model number is omitted.

Table of Contents

Additions to KX-TD816/1232

Section 1.4, Options

16 SLT Line Circuit Unit (KX-TD174).....	6
Auxiliary Connection for Power Failure Transfer.....	7
ISDN 6-S0 Line Unit (KX-TD286).....	7

Section 2.4, Optional Cards and Units Installation

16 SLT Circuit Line Connection	8
Installing Expansion Unit (KX-TD174).....	8
Cable Pin Numbers to Be Connected	9
ISDN 6-S0 Line Unit Connection	10
Installing Expansion Unit (KX-TD286).....	11
Internal ISDN S0 Line Connection	12

Section 3, Features

ISDN Extension	14
----------------------	----

Section 4, System Programming

[012] ISDN Extension Number Set	16
[013] ISDN Extension Name Set	18
[014] Budget Management on ISDN Port.....	19
[424] ISDN Port Type	20
[425] ISDN Layer 1 Active Mode.....	21
[426] ISDN Configuration.....	22
[427] ISDN Data Line Mode.....	23
[428] ISDN TEI Mode	24
[429] ISDN Extension Multiple Subscriber Number.....	25
[430] ISDN Extension Progress Tone	26
[612] Incoming Call Display	27
[613] ISDN Class of Service	28
[614-615] Outgoing Permitted CO Line Assignment– Day/Night for ISDN Extension ...	29
[990] System Additional Information, Fields (28) through (38).....	31

Changes

Section 3, Features

Budget Management.....	34
CO Incoming Call Information Display.....	34, 38
Display, Call Information	34
Module Expansion.....	34
Station Message Detail Recording (SMDR)	34

Section 4, System Programming

[001] System Speed Dialing Number Set.....	34
[105] Account Codes	35
[109] Expansion Unit Type	35
[125] User Password	36
[417] CO Line Name Assignment.....	36
[418] ISDN Line Number Assignment	36
[419] ISDN Outgoing CLIR Service Assignment.....	36

Table of Contents

[420]	ISDN DDI Service Assignment.....	36
[601]	Class of Service.....	37
[611]	ISDN DDI Number / Floating Number Transformation.....	37
[991]	COS Additional Information.....	37

Programming Tables for Added and Changed Features

[012]	ISDN Extension Number Set	42
[013]	ISDN Extension Name Set	42
[014]	Budget Management on ISDN Port.....	42
[105]	Account Codes	43
[109]	Expansion Unit Type	45
[418]	ISDN Line Number Assignment	46
[419]	ISDN Outgoing CLIR Service Assignment.....	46
[420]	ISDN DDI Service Assignment.....	46
[424]	ISDN Port Type	47
[425]	ISDN Layer 1 Active Mode.....	47
[426]	ISDN Configuration.....	47
[427]	ISDN Data Line Mode.....	47
[428]	ISDN TEI Mode	48
[429]	ISDN Extension Multiple Subscriber Number	48
[430]	ISDN Extension Progress Tone	48
[611]	ISDN DDI Number / Floating Number Transformation.....	48
[612]	Incoming Call Display.....	49
[613]	ISDN Class of Service	49
[614]	Outgoing Permitted CO Line Assignment– Day for ISDN Extension	50
[615]	Outgoing Permitted CO Line Assignment– Night for ISDN Extension.....	51
[990]	System Additional Information	52

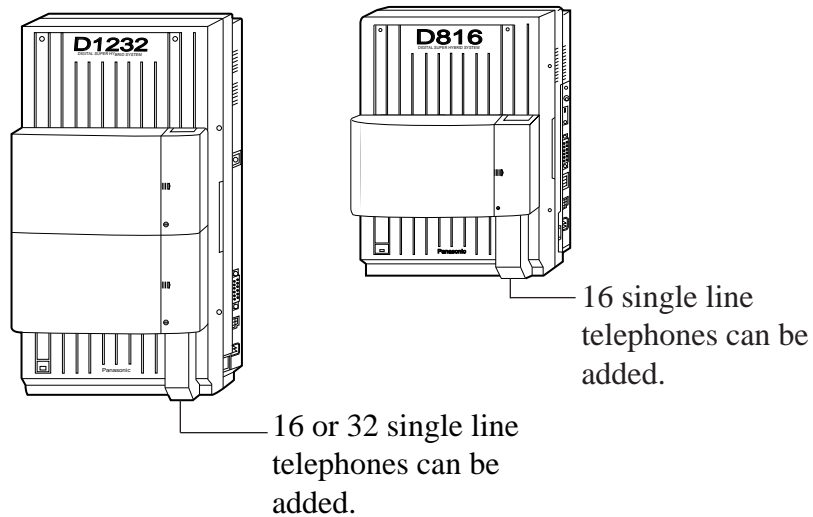
Additions to KX-TD816/1232

1.4 Options

16 SLT Line Circuit Unit (KX-TD174)

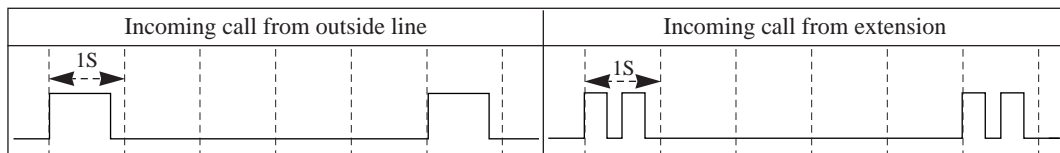
Each unit adds eight extensions which contain two single line telephones. The unit can support 16 single line telephones per unit. One unit for the KX-TD816 and up to two units for the KX-TD1232 can be installed per system.

Each single line telephone in the same jack has different extension number so that it can act as completely different extension like an eXtra Device Port feature.



Note:

- Installing this unit allows the eXtra Device Port setting to “Enable” automatically in system programming [600]. However, assigning “Disable” makes a single line telephone which is connected to the second jack (Jack xx-2) disable to use.
- This unit cannot support the proprietary telephone and Voice Mail Integration features.
- This unit has four DTMF receivers; two receivers in the first eight ports and two receivers in the last eight ports.
- The Ringing Patterns for all single line telephones which are connected to the system are changed as below;



1.4 Options

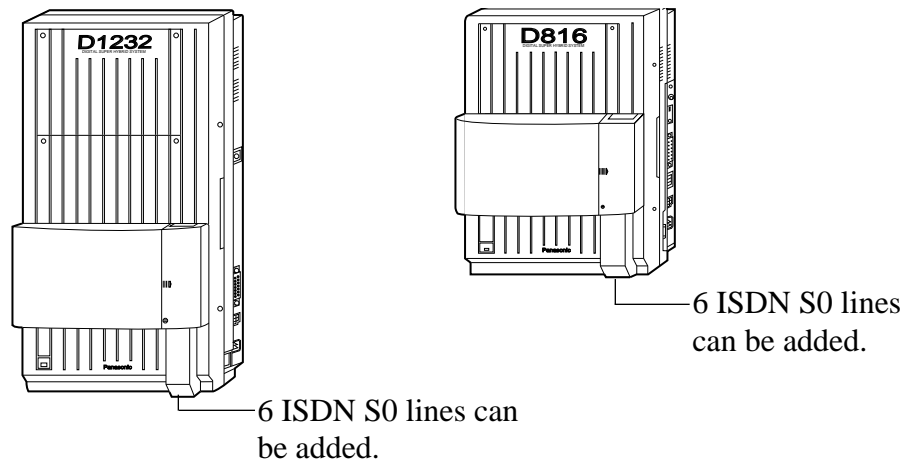
Auxiliary Connection for Power Failure Transfer

When there is a power failure, the first two jacks on this unit can be connected to specific CO lines mentioned below. An auxiliary connection is required to implement this feature. For more information about the connection between an extension jack to a CO line, refer to the “2.5 Auxiliary Connection for Power Failure Transfer” in the main Installation Manual.

KX-TD816	Jack 09-1...CO 5 Jack 10-1...CO 6
KX-TD1232	Jack 17-1...CO 9 Jack 18-1...CO10

ISDN 6-S0 Line Unit (KX-TD286)

One KX-TD286 can be installed per system.



Note

Either one KX-TD280, one KX-TD286 or one KX-TD180 can be installed in a system.

2.4 Installation of Optional Cards and Units

16 SLT Circuit Line Connection

Installing one unit to the system allows 16 single line telephones (SLT's) to be connected to jacks 09 through 16 for the KX-TD816, or jacks 17 through 24 or jacks 25 through 32 for the KX-TD1232. Installing two units allows 32 SLT's to be connected to jacks 17 through 32 for the KX-TD1232.

This unit can be installed to any of the expansion areas provided on the front of the system.

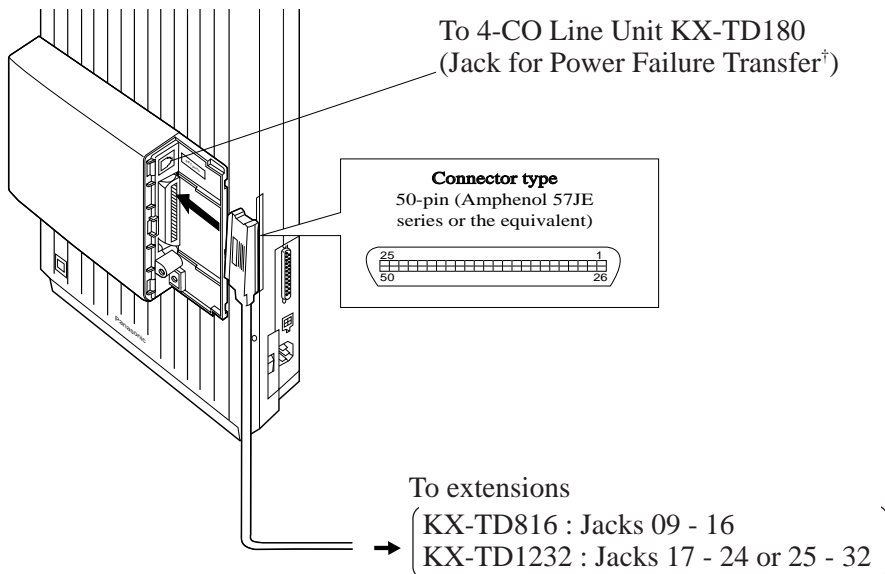
For unit installation, refer to the procedure "Section 2.4.4 "Installing Expansion Unit (KX-TD170/KX-TD180)" in the main Installation Manual. Steps 1 through 5 and 7 through 10 of the installation procedure are the same as the other expansion units. Step 6 is different for each unit. Please note the following instructions below instead of step 6 (Installation Manual) for this unit.

- Note**
- System Programming [109] Expansion Unit Type is required for the expansion unit location identification.

Installing Expansion Unit (KX-TD174)

Step 6

- If the KX-TD174 is installed, use an Amphenol Connector to connect extensions.
Insert the connector into the jack.



Installing Expansion Unit (KX-TD174)

Note:

- To fix the connector, refer to “Section 2.4.4 “Installing Expansion Unit (KX-TD170/KX-TD180), Amphenol 57 Type (screw-attach-type 50-pin connector) Connection for KX-TD170” in the main Installation Manual.
- For jack connection, please see “Cable Pin Numbers to Be Connected” on the next page.
- †For more information, see “Auxiliary Connection for Power Failure Transfer” in this leaflet.
- The KX-TD1232 is illustrated above.

Cable Pin Numbers to Be Connected

CONN. PIN	Clip Terminal (KX-A205) No.	For KX-TD816		For KX-TD1232 (Expansion 1)		For KX-TD1232 (Expansion 2)	
		Jack No. 9-16		Jack No.17-24		Jack No. 25-32	
26 1	1 2	Jack. 09 - 1	T R	Jack. 17 - 1	T R	Jack. 25 - 1	T R
27 2	3 4	Jack. 10 - 1	T R	Jack. 18 - 1	T R	Jack. 26 - 1	T R
28 3	5 6	Jack. 11 - 1	T R	Jack. 19 - 1	T R	Jack. 27 - 1	T R
29 4	7 8	Jack. 12 - 1	T R	Jack. 20 - 1	T R	Jack. 28 - 1	T R
30 5	9 10	Jack. 13 - 1	T R	Jack. 21 - 1	T R	Jack. 29 - 1	T R
31 6	11 12	Jack. 14 - 1	T R	Jack. 22 - 1	T R	Jack. 30 - 1	T R
32 7	13 14	Jack. 15 - 1	T R	Jack. 23 - 1	T R	Jack. 31 - 1	T R
33 8	15 16	Jack. 16 - 1	T R	Jack. 24 - 1	T R	Jack. 32 - 1	T R
34 9	17 18	Jack. 09 - 2	T R	Jack. 17 - 2	T R	Jack. 25 - 2	T R
35 10	19 20	Jack. 10 - 2	T R	Jack. 18 - 2	T R	Jack. 26 - 2	T R
36 11	21 22	Jack. 11 - 2	T R	Jack. 19 - 2	T R	Jack. 27 - 2	T R
37 12	23 24	Jack. 12 - 2	T R	Jack. 20 - 2	T R	Jack. 28 - 2	T R
38 13	25 26	Jack. 13 - 2	T R	Jack. 21 - 2	T R	Jack. 29 - 2	T R
39 14	27 28	Jack. 14 - 2	T R	Jack. 22 - 2	T R	Jack. 30 - 2	T R
40 15	29 30	Jack. 15 - 2	T R	Jack. 23 - 2	T R	Jack. 31 - 2	T R
41 16	31 32	Jack. 16 - 2	T R	Jack. 24 - 2	T R	Jack. 32 - 2	T R

Installing Expansion Unit (KX-TD286)

ISDN 6-S0 Line Unit Connection

To add six ISDN S0 lines, use the optional ISDN 6-S0 Line Unit (KX-TD286). This unit can be installed in any of the expansion areas provided on the front of the main unit.

When the KX-TD286 is installed in the KX-TD816, only four ISDN S0 lines are available for outside lines and the other ports are for extension lines (ISDN extensions).

System programming is required for unit location identification.

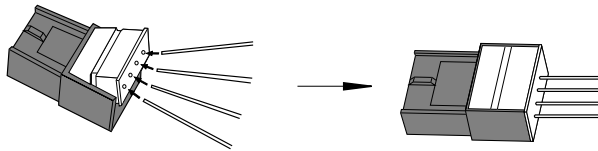
Default KX-TD816: bottom = 4-CO Line Unit,
top = 8-Station Line Unit
KX-TD1232: bottom = 4-CO Line Unit,
middle and top = 8-Station Line Unit

Installing Expansion Unit (KX-TD286)

For unit installation, refer to the procedure “Installing Expansion Unit (KX-TD280)” in the main Added and Changed Features for Installation Manual and Programming Tables. Steps 1 through 5 and 8 through 11 of the installation procedure are the same as the KX-TD280. Step 6 and Step 7 are different from those of KX-TD280. Please note the following instructions below instead of step 6 and step 7 for this unit.

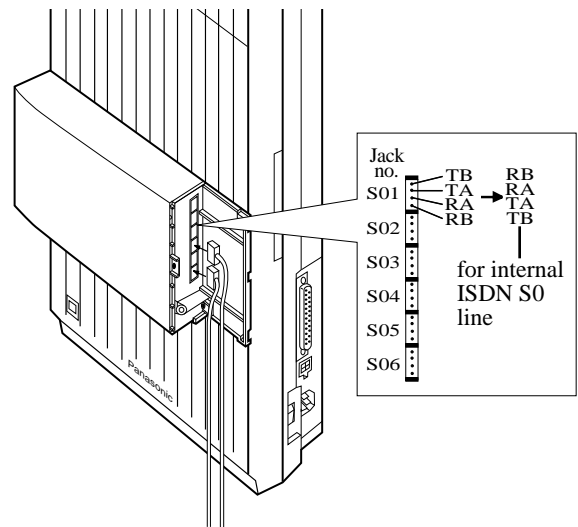
- Note**
- System Programming [109] Expansion Unit Type is required for the expansion unit location identification.

- 6.** Prepare the required plugs. Six 4-pin plugs are included in KX-TD286 to connect CO lines or ISDN terminal equipment.



- 7.** Insert the plug into a jack on the unit. Connect an earth wire to the earth terminal on the extension expansion unit.

KX-TD286



To Terminal Board or Modular
Jacks from the Central Office

- Note**
- All ports can be either for CO line or extension line.

Internal ISDN S0 Line Connection

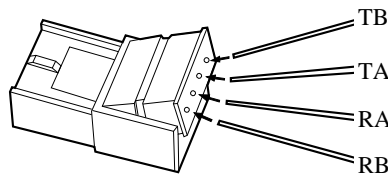
The ISDN S0 Bus on the KX-TD280 and the KX-TD286 can be used as internal S0 bus. Each port can be used as either external or internal ISDN S0 Lines. Some System Programs are required to use the S0 bus as internal ISDN S0 lines beforehand.

Connection

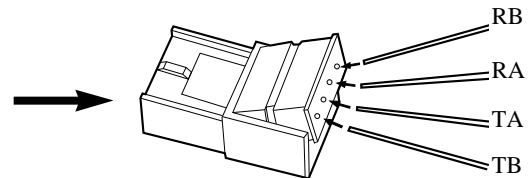
Use 4-pin plugs (included) to connect ISDN S0 lines. A single plug is able to connect one ISDN S0 line. Mis-connection may cause the system to operate improperly.

1. Re-arrange telephone wires in reverse order of the plug.
2. Insert the plug into a ISDN S0 port on the unit.

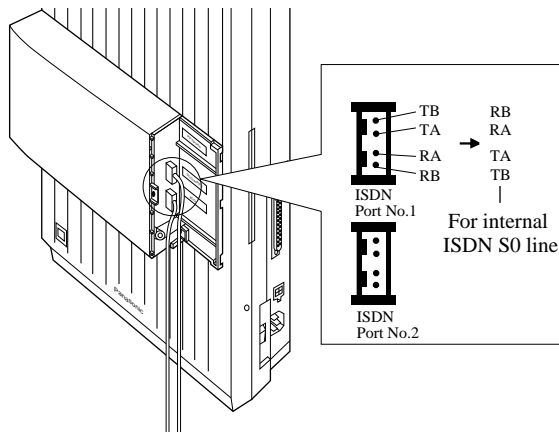
Wiring for external ISDN S0 line



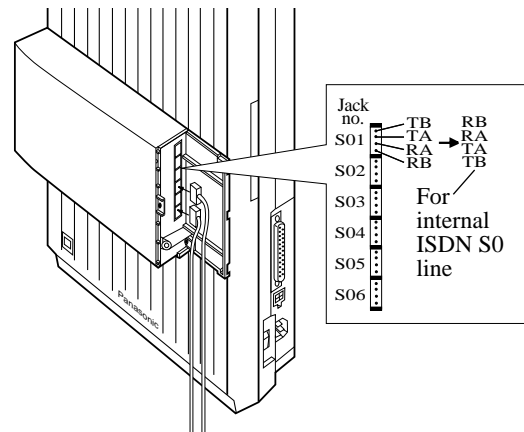
Wiring for internal ISDN S0 line



KX-TD280



KX-TD286



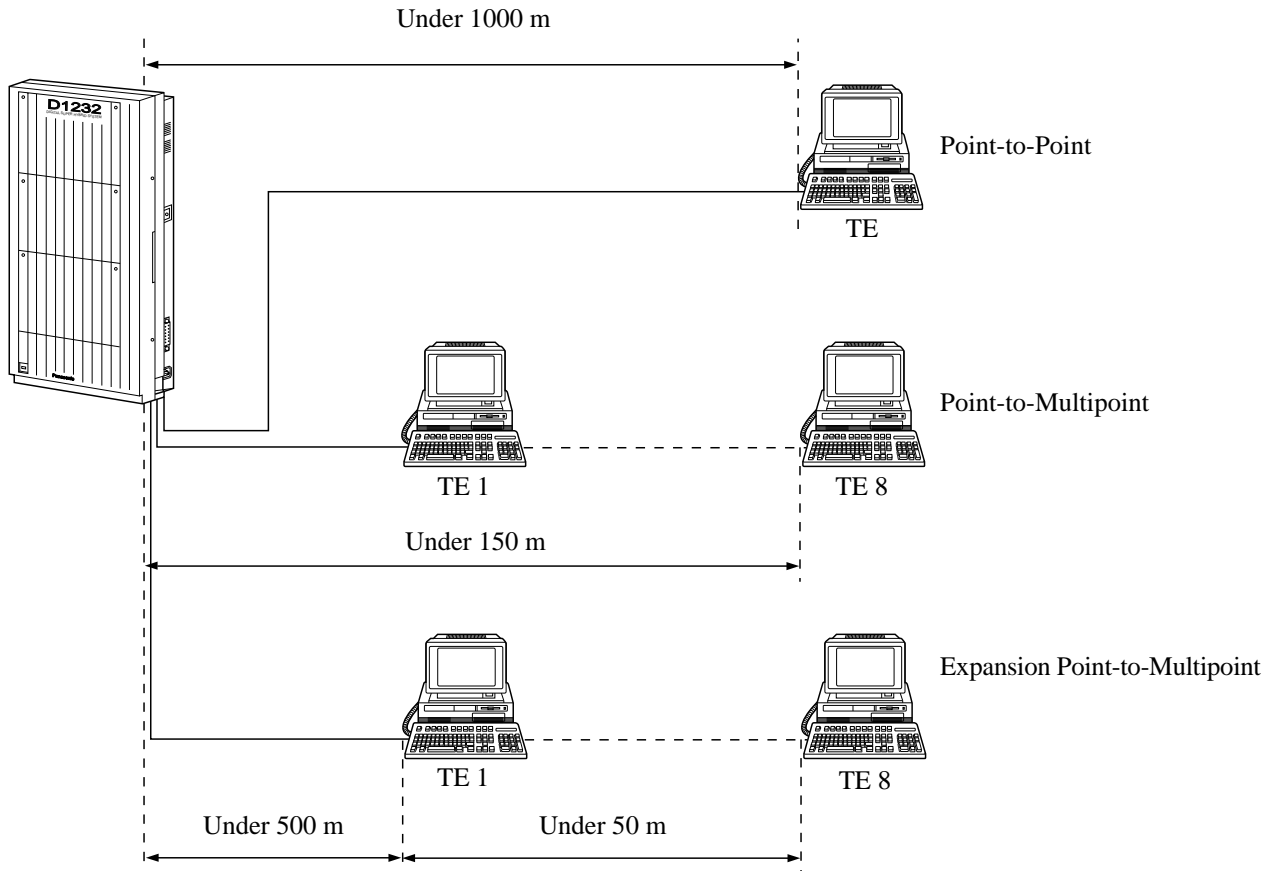
Notes For installing the KX-TD280 or KX-TD286 to main unit, refer to “Installing Expansion Unit” respectively.

3. Connect the lines between the ISDN board and the ISDN device.
4. Plug the AC power cord into the system and an AC outlet.
5. Program “[424] ISDN Port Type” and other required programs in System Programming.
6. Press the Reset Button with a pointed tool on the main unit.

Internal ISDN S0 Line Connection

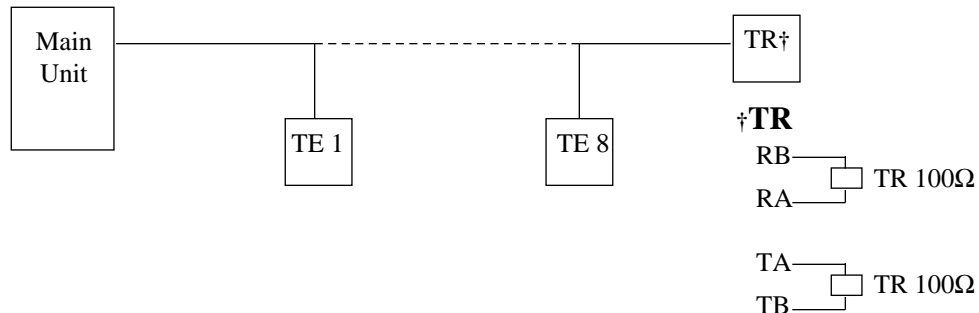
Maximum cabling distance of S0 bus connection

The maximum length of the extension line cord that connects the main unit and the ISDN terminal equipment (TE) is shown below:



Wiring with Terminating Resistors (TR)

The ISDN S0 bus should be terminated with two 100Ω terminating resistors (TR).



Power Supply for ISDN Terminal Equipment (TE)

The system does not provide a power supply to terminal equipment (TE). Depending on the type of TE's, the external power supply is required on ISDN S0 line to operate.

ISDN Extension

Description

The system supports terminal equipments with separate power supplies. For example, ISDN telephone, G4 Facsimile and personal computers which are connected to optional ISDN S0 Line Unit : KX-TD280 or KX-TD286. A maximum of eight terminal equipments can be connected to each ISDN S0 bus with point-to-multi-point configuration. Terminal equipments can be addressed individually with Multiple Subscriber Numbers (MSN). The MSN consists of the ISDN extension number and an additional digit, 0 through 9. If MSN is not assigned, all equipments on the same S0 bus are called simultaneously.

The following bearer capabilities can be supported:

<u>Transfer Mode</u>	<u>Transfer Capability</u>
Circuit	Unrestricted digital
Circuit	Speech
Circuit	3.1 kHz Audio

The functions of terminal equipment are similar to single line telephone functions, but the following features are not available.

- Automatic Callback Busy
- Call Forwarding
- Call Hold
- Call Park
- Call Pickup
- Call Transfer
- Call Waiting
- Conference
- Do Not Disturb
- Log-In / Log-Out
- Message Waiting
- Paging – Group Answer
- Pickup Dialing
- Timed Reminder

Conditions

- Class of Service for ISDN extension port applies to all terminal equipments on the same S0 bus.
- Each port can be assigned as follows:
 - *1 and *2: can be either an external or internal ISDN S0 line.
 - *1: when assigned as internal, the corresponding analog CO ports become available.

TD816				TD1232			
CO No.	ISDN Port	TD280	TD286	CO No.	ISDN Port	TD280	TD286
1, 2	1	—	*1	1, 2	1	—	*1
3, 4	2	—	*1	3, 4	2	—	*1
5, 6	3	*2	*2	5, 6	3	—	*1
7, 8	4	*2	*2	7, 8	4	—	*1
—	5	—	Internal	9, 10	5	*2	*2
—	6	—	Internal	11, 12	6	*2	*2

3 Features

Connection References

In this manual
Section 2, Installation
Internal ISDN S0 Line Connection

Programming References

In this manual
Section 4, System Programming,
[012] ISDN Extension Number Set
[013] ISDN Extension Name Set
[014] Budget Management on ISDN Port
[109] Expansion Unit Type
[424] ISDN Port Type
[425] ISDN Layer 1 Active Mode
[426] ISDN Configuration
[427] ISDN Data Link Mode
[428] ISDN TEI Mode
[429] ISDN Extension Multiple Subscriber Number
[430] ISDN Extension Progress Tone
[613] ISDN Class of Service
[614-615] Outgoing Permitted CO Line Assignment – Day/Night for ISDN Extension

- The possible parameter combinations are listed below. The underlined selections are recommended. The selections marked "*" are activated, regardless of the assignments.

Program	[424] ISDN Port Type	[425] ISDN Layer 1 Active Mode	[426] ISDN Configuration	[427] ISDN Data Link Mode	[428] ISDN TEI Mode
Parameter	CO	Permanent	P-P	Permanent	<u>Fix</u> 0-63 Automatic
		—	P-M (not available)	—	—
	Extension	<u>Call/Permanent</u>	P-P	<u>Call/Permanent</u>	Fix 0-63*
		<u>Call/Permanent</u>	P-M	Call*	Automatic*

Feature References None

Operation References None

ISDN Extension Number Set

Description	Assigns an extension number to each port which is connected to the ISDN S0 unit or card.
Selection	<ul style="list-style-type: none"> • Port number: KX-TD816—01 through 06 KX-TD1232—01 through 12 • Extension Number: 2 or 3 digits
Default	All ports – Not stored
Programming	<ol style="list-style-type: none"> 1. Enter 012. Display: ISDN EXT NO. 2. Press NEXT. Display: Port NO?-> 3. Enter a port number. To enter a first port number, you can also press NEXT. Display: #01:Not Stored 4. Enter an extension number. To change the current entry, press CLEAR and the new number. 5. Press STORE. 6. To program another port, press NEXT or PREV, or SELECT and the desired port number. 7. Repeat steps 4 through 6. 8. Press END.
Conditions	<ul style="list-style-type: none"> • Each extension number can be two or three digits, consisting of 0 through 9. The * and # keys cannot be used. • A multiple subscriber number (MSN) is determined regarding this assignment. The MSN consists of the assigned extension number and an additional digit, 0 through 9. Example) In case that the ISDN extension number is assigned “3”; 30 through 39 are effective as MSN's. The extension user can call any terminal equipment on the ISDN S0 bus with MSN individually. Pressing “30” calls all extensions on the ISDN S0 bus simultaneously. • Port numbers 01 through 06 are for the Master System and 07 through 12 are for the Slave, if available.

ISDN Extension Number Set (contd.)

- An extension number is invalid if the leading first or second digits disagree with the setting of the program [100] “Flexible Numbering, 1st through 16th hundred extension blocks.” If one digit is assigned as the leading digit, some extensions have two digits and some have three digits. If two digits are assigned, some have three digits and some have four digits.
- Double entry or incompatible entry is invalid including the assignment of program [813] “Floating Number Assignment.” Valid entry examples: 10 and 11; 10 and 110. Invalid entry examples: 10 and 106; 210 and 21.
- Program [013] “ISDN Extension Name Set” is used to give names to the extension numbers.

Feature References

None

ISDN Extension Name Set

Description	Assigns names to the ISDN extension numbers programmed in program [012] “ISDN Extension Number Set.”
Selection	<ul style="list-style-type: none"> • Port number: KX-TD816—01 through 06 KX-TD1232—01 through 12 • Name: 10 characters (max.)
Default	All ports – Not stored
Programming	<ol style="list-style-type: none"> 1. Enter 013. Display: ISDN EXT. Name. 2. Press NEXT. Display: Port NO?-> 3. Enter a port number. To enter a first port number, you can also press NEXT. Display: #01:Not Stored 4. Enter a name. For entering characters, see Section 4.1.3 “Entering Characters.” To delete the current entry, press CLEAR. To change the current entry, press CLEAR and the new name. 5. Press STORE. 6. To program another port, press NEXT or PREV, or SELECT and the desired port number. 7. Repeat steps 4 through 6. 8. Press END.
Conditions	<ul style="list-style-type: none"> • Port numbers 01 through 06 are for the Master System and 07 through 12 are for the Slave, if available.
Feature References	None

Budget Management on ISDN Port

Description	Assigns the charge limitation of a call on the ISDN extension port basis.
Selection	<ul style="list-style-type: none">• Port number: KX-TD816—01 through 06, * KX-TD1232—01 through 12, * (* =all ports)• Charge limitation (Charge): 0 through 59999
Default	All ports – 0
Programming	<ol style="list-style-type: none">1. Enter 014. Display: ISDN Charge Lim.2. Press NEXT. Display: Port NO?->3. Enter a port number. To enter a first port number, you can also press NEXT. Display example: #01: 04. Enter a charge limitation. To delete the charge limitation, press CLEAR.5. Press STORE.6. To program another port, press NEXT or PREV, or SELECT and the desired port number.7. Repeat steps 4 through 6.8. Press END.
Conditions	<ul style="list-style-type: none">• If the charge limitation is set “0,” no restriction is applied.• To assign all port to one selection, press the * key at step 3. In this case, the display shows the contents programmed for a first port.• Port numbers 01 through 06 are for the Master System and 07 through 12 are for the Slave, if available.• The displayed currency denomination can be programmed by [121] Assignment of Denomination.
Feature References	Section 3, Features, Budget management Charge Fee Reference

ISDN Port Type

Description	Assigns the type of each port either CO line or extension line on ISDN port basis.
Selection	<ul style="list-style-type: none"> • Port number: KX-TD816—01 through 04, * (* =all ports) KX-TD1232—01 through 12, * (* =all ports) • CO (CO line) / Extension
Default	All ports – CO
Programming	<ol style="list-style-type: none"> 1. Enter 424. Display: ISDN Line Type 2. Press NEXT. Display: Port NO?-> 3. Enter a port number. To enter a first port number, you can also press NEXT. Display example: #01:CO 4. Keep pressing SELECT until the desired selection is displayed. 5. Press STORE. 6. To program another port, press NEXT or PREV, or SELECT and the desired port number. 7. Repeat steps 4 through 6. 8. Press END.
Conditions	<ul style="list-style-type: none"> • For the KX-TD816, port numbers 05 and 06 are fixed as “Extension.” • For the KX-TD1232, port numbers 01 through 06 are for the Master System and 07 through 12 are for the Slave, if available. • To assign all ports to one selection, press the * key at step 3. In this case, the display shows the contents programmed for a first port. • After this assignment, you should reset the system so that this assignment is effective.
Feature References	None

ISDN Layer 1 Active Mode

Description	Assigns the active mode of Layer 1 on ISDN port basis.
Selection	<ul style="list-style-type: none">• Port number: KX-TD816—01 through 06, * (* =all ports) KX-TD1232—01 through 12, * (* =all ports)• Permanent / Call
Default	<ul style="list-style-type: none">• KX-TD816 Port 05 and 06– Call; other ports–permanent• KX-TD1232 All ports – Permanent
Programming	<ol style="list-style-type: none">1. Enter 425. Display: L1 Active Mode2. Press NEXT. Display: Port NO?->3. Enter a port number. To enter a first port, you can also press NEXT. Display example: #01:Permanent4. Keep pressing SELECT until the desired selection is displayed.5. Press STORE.6. To program another port, press NEXT or PREV, or SELECT and the desired port number.7. Repeat steps 4 through 6.8. Press END.
Conditions	<ul style="list-style-type: none">• For the KX-TD1232, port numbers 01 through 06 are for the Master System and 07 through 12 are for the Slave, if available.• To assign all ports to one selection, press the * key at step 3. In this case, the display shows the contents programmed for a first port.• After this assignment, you should reset the system so that this assignment is effective.
Feature References	None

ISDN Configuration

Description	Assigns the configuration on ISDN port basis. This program is available for ISDN extension only.
Selection	<ul style="list-style-type: none"> • Port number: KX-TD816—01 through 06, * (* =all ports) KX-TD1232—01 through 12, * (* =all ports) • Point (point to point) / Multipoint (point to multipoint)
Default	<ul style="list-style-type: none"> • KX-TD816 Port 05 and 06– Multipoint; other ports–Point • KX-TD1232 All ports – Point
Programming	<ol style="list-style-type: none"> 1. Enter 426. Display: Access Mode 2. Press NEXT. Display: Port NO?-> 3. Enter a port number. To enter a first port number, you can also press NEXT. Display example: #01:Point 4. Keep pressing SELECT until the desired selection is displayed. 5. Press STORE. 6. To program another port, press NEXT or PREV, or SELECT and the desired port number. 7. Repeat steps 4 through 6. 8. Press END.
Conditions	<ul style="list-style-type: none"> • For the KX-TD1232, port numbers 01 through 06 are for the Master System and 07 through 12 are for the Slave, if available. • If one equipment is connected to the ISDN port, select "Point." If multiple equipments are connected, select "Multipoint." • To assign all ports to one selection, press the * key at step 3. In this case, the display shows the contents programmed for a first port. • After this assignment, you should reset the system so that this assignment is effective.
Feature References	None

ISDN Data Link Mode

Description	Assigns the data link mode on ISDN port basis.
Selection	<ul style="list-style-type: none">• Port number: KX-TD816—01 through 06, * (* =all ports) KX-TD1232—01 through 12, * (* =all ports)• Permanent / Call
Default	<ul style="list-style-type: none">• KX-TD816 Port 05 and 06– Call; other ports–Permanent• KX-TD1232 All ports – Permanent
Programming	<ol style="list-style-type: none">1. Enter 427. Display: Data Link Mode2. Press NEXT. Display: Port NO?->3. Enter a port number. To enter a first port number, you can also press NEXT. Display example: #01:Permanent4. Keep pressing SELECT until the desired selection is displayed.5. Press STORE.6. To program another port, press NEXT or PREV, or SELECT and the desired port number.7. Repeat steps 4 through 6.8. Press END.
Conditions	<ul style="list-style-type: none">• For the KX-TD1232, port numbers 01 through 06 are for the Master System and 07 through 12 are for the Slave, if available.• To assign all ports to one selection, press the * key at step 3. In this case, the display shows the contents programmed for a first port.• After this assignment, you should reset the system so that this assignment is effective.
Feature References	None

ISDN TEI Mode

Description	Assigns the Terminal Endpoint Identifier (TEI) mode on ISDN port basis.
Selection	<ul style="list-style-type: none"> • Port number: KX-TD816—01 through 06, * (* =all ports) KX-TD1232—01 through 12, * (* =all ports) • Fix 0 through 63 / Automatic
Default	<ul style="list-style-type: none"> • KX-TD816 Port 05 and 06– Automatic; other ports–Fix 0 • KX-TD1232 All ports – Fix 0
Programming	<ol style="list-style-type: none"> 1. Enter 428. Display: TEI Assign 2. Press NEXT. Display: Port NO?-> 3. Enter a port number. To enter a Port 01, you can also press NEXT. Display example: #01:Fix 0 4. Enter the TEI. To change the current entry, press CLEAR and the new number. If you do not enter a number, it is automatically assigned as "Automatic." 5. Press STORE. 6. To program another port, press NEXT or PREV, or SELECT and the desired port number. 7. Repeat steps 4 through 6. 8. Press END.
Conditions	<ul style="list-style-type: none"> • For the KX-TD1232, port numbers 01 through 06 are for the Master System and 07 through 12 are for the Slave, if available. • If the "Point" is selected in program [426], assign the fixed TEI. If "Multipoint" is selected, assign "Automatic." • To assign all ports to one selection, press the * key at step 3. In this case, the display shows the contents programmed for Port 01. • After this assignment, you should reset the system so that this assignment is effective.
Feature References	None

ISDN Extension Multiple Subscriber Number

Description	Selects whether the Multiple Subscriber Number is allocated to each terminal equipment on ISDN S0 bus or not on ISDN port basis.
Selection	<ul style="list-style-type: none">• Port number: KX-TD816—01 through 06, * (* =all ports) KX-TD1232—01 through 12, * (* =all ports)• Enable / Disable (no number)
Default	All ports – Disable
Programming	<ol style="list-style-type: none">1. Enter 429. Display: MSN Service2. Press NEXT. Display: Port NO?->3. Enter a port number. To enter a first port number, you can also press NEXT. Display example: #01:Disable4. Keep pressing SELECT until the desired selection is displayed.5. Press STORE.6. To program another port, press NEXT or PREV, or SELECT and the desired port number.7. Repeat steps 4 through 6.8. Press END.
Conditions	<ul style="list-style-type: none">• For the KX-TD1232, port numbers 01 through 06 are for the Master System and 07 through 12 are for the Slave, if available.• To assign all ports to one selection, press the * key at step 3. In this case, the display shows the contents programmed for a first port.• You must assign the extension number to an ISDN terminal beforehand. For details, refer to your terminal's manual.
Feature References	None

ISDN Extension Progress Tone

Description	Enables or disables to send the progress tone to ISDN extension on ISDN port basis.
Selection	<ul style="list-style-type: none"> • Port number: KX-TD816—01 through 06, * (* =all ports) KX-TD1232—01 through 12, * (* =all ports) • Enable / Disable (no tone)
Default	All ports – Disable
Programming	<ol style="list-style-type: none"> 1. Enter 430. Display: ISDN EXT Tone 2. Press NEXT. Display: Port NO?-> 3. Enter a port number. To enter a first port number, you can also press NEXT. Display example: #01:Disable 4. Keep pressing SELECT until the desired selection is displayed. 5. Press STORE. 6. To program another port, press NEXT or PREV, or SELECT and the desired port number. 7. Repeat steps 4 through 6. 8. Press END.
Conditions	<ul style="list-style-type: none"> • For the KX-TD1232, port numbers 01 through 06 are for the Master System and 07 through 12 are for the Slave, if available. • To assign all ports to one selection, press the * key at step 3. In this case, the display shows the contents programmed for a first port.
Feature References	None

Incoming Call Display

Description	Allows you to select between three display types when an incoming call is received. “Calling” means the incoming caller's telephone number is displayed. “Called” means the called telephone number is displayed. “Line Name” means the CO line name assigned in the [417] program is displayed.
Selection	<ul style="list-style-type: none">• Jack number: KX-TD816 – 01 through 16, * (* =all jacks) KX-TD1232 – 01 through 64, * (* =all jacks)• Display Types: Calling/ Called/ CO Line Name
Default	All jacks – Calling
Programming	<ol style="list-style-type: none">1. Enter 612 Display: Incoming Display2. Press NEXT. Display: Jack NO?->3. Enter a jack number. To enter jack number 01, you can also press NEXT. Display example: #01:Calling4. Keep pressing SELECT until the desired selection is displayed.5. Press STORE.6. To program another jack, press NEXT or PREV, or SELECT and the desired jack number.7. Repeat steps 3 through 6.8. Press END.
Conditions	<ul style="list-style-type: none">• In the case of the KX-TD1232, jack numbers 01 through 32 are for the Master System and 33 through 64 are for the Slave, if available.
Feature References	In this manual Section 3, Features , CO Incoming Call Information Display Display, Call Information

ISDN Class of Service

Description	<p>Programs a Class of Service (COS) number for each ISDN extension port. The COS determines the call handling abilities of each port.</p> <p>A primary and a secondary COS numbers can be assigned per port.</p>
Selection	<ul style="list-style-type: none"> • Port number: KX-TD816—01 through 06, * (* =all ports) KX-TD1232—01 through 12, * (* =all ports) • COS number: 1 through 8
Default	All ports: Primary, Secondary – COS 1, COS 1
Programming	<ol style="list-style-type: none"> 1. Enter 613. Display: ISDN COS Assign 2. Press NEXT. Display: Port NO?-> 3. Enter a port number. To enter a first number, you can also press NEXT. Display example: #01: COS1, COS1 4. Enter a COS number for primary number. To change the current entry, enter the new number. 5. Press ▶. 6. Enter a COS number for secondary number. To change the current entry, enter the new number. 7. Press STORE. 8. To program another port, press NEXT or PREV, or SELECT and the desired port number. 9. Repeat steps 4 through 8. 10. Press END.
Conditions	<ul style="list-style-type: none"> • There is a maximum of eight Classes of Services. Every ISDN extension must be assigned to a Class of Service and is subject to the COS Programming of programs [500] through [508] and [991]. The restriction of program [991], field 1, applies only for analog outside lines. • Port numbers 01 through 06 are for the Master System and 07 through 12 are for the Slave, if available. • To assign all ports to one selection, press the * key at step 3. In this case, the display shows the contents programmed for a first port.
Feature References	Section 3, Features, Class of Service (COS)

4.8 Extension Programming **614-615**

Outgoing Permitted CO Line Assignment – Day/Night for ISDN Extension

Description	Determines the CO lines which can be accessed by an ISDN extension in both day and night modes. The extension users can make outgoing outside calls using the assigned CO lines.
Selection	<ul style="list-style-type: none">• Port number: KX-TD816—01 through 06, * (* =all ports) KX-TD1232—01 through 12, * (* =all ports)• CO line number: KX-TD816 – 01 through 08, * (* =all CO lines) KX-TD1232 – 01 through 24, * (* =all CO lines)• Enabl (enable) / Disab (disable)
Default	All ports – all CO lines – Enabl — Day / Night
Programming	<ol style="list-style-type: none">1. Enter a program address (614 for day or 615 for night). Display example: CO Out(ISDN) Day2. Press NEXT. Display: Port NO?->3. Enter a port number. To enter first port number, you can also press NEXT. Display example: #01:CO01:Enabl4. Enter the desired CO line number, or keep pressing ➡ or ⬅ until the desired CO line is displayed. To change the current entry, enter the new number.5. Keep pressing SELECT until the desired selection is displayed.6. Press STORE.7. To program another jack, press NEXT or PREV, or SELECT and the desired port number.8. Repeat steps 4 through 7.9. Press END.
Conditions	<ul style="list-style-type: none">• Port numbers 01 through 06 are for the Master System and 07 through 12 are for the Slave, if available.

614-615 4.8 Extension Programming

Outgoing Permitted CO Line Assignment – Day/Night for ISDN Extension (contd.)

- To assign all ports to one selection, press the * key at step 3. In this case, the display shows the contents programmed for a first port.
- To assign all CO lines to one selection, press the * key at step 4. In this case, the display shows the contents programmed for CO 01.
- When you change a port number by pressing **NEXT** or **PREV**, the CO line number is not changed.

Example #03:CO02.....Pressing **NEXT**....#04:CO02

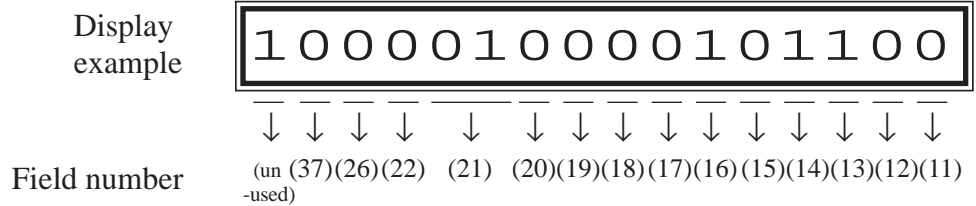
Feature References

Section 3, Features,
CO Line Connection Assignment – Outgoing
Night Service

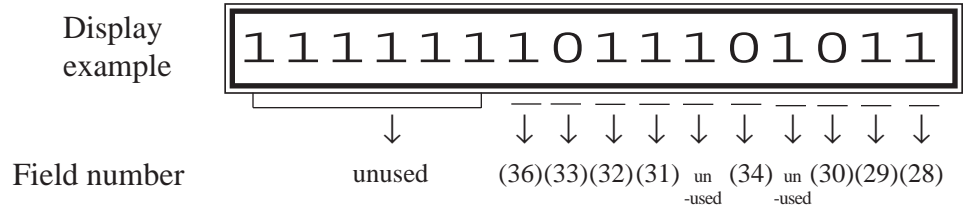
System Additional Information

Description Field (26), (28) through (30) are changed to “unused,” and (37) is added to Area 2, and (38) is added to Area 6.

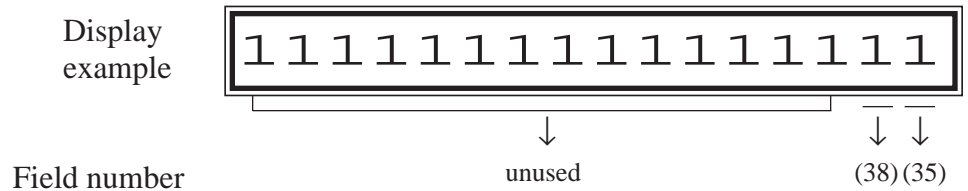
Area 2



Area 5



Area 6



Explanation for Area 2

Field	Description	Selection	Default	References
(26)	unused	–	–	–
(37)	Sets the maximum time for detecting a hooking signal from the SLT.	0 : 1000ms 1 : 136ms	0	None

*System Additional Information***Explanation for Area 5 and 6**

Field	Description	Selection	Default	Reference
(28)	Unused	—	—	—
(29)	Unused	—	—	—
(30)	Unused	—	—	—
(38)	Programs whether or not the account code is printed out in the SMDR.	0 : not printed out 1 : printed out	1	SMDR

Selection

- Area code: **01** (area 1) / **02** (area 2) / **03** (area 3) / **04** (area 4) / **05** (area 5) / **06** (area 6) / **07** through **12** are reserved
- Field number : **01 through 38**
- Selection: See “**Selection**” shown above and [990] program in the Installation Manual.

Default

See “**Default**” in the [990] program in the Installation Manual.

For programming instruction, please refer to the program [990] “System Additional Information” in the Installation Manual.

Changes

FEATURE TITLE	SECTION OF THE MANUAL	REVISION
Budget Management	(Installation Manual) Section 3	The following program is added: Programming References [014] Budget Management on ISDN Port
CO Incoming Call Information Display	(Installation Manual) Section 3	This feature is replaced with a new one. For details, refer to pages 37 and 38.
Display, Call Information	(Installation Manual) Section 3	Please disregard the following conditions: <ul style="list-style-type: none"> • The display shows no intercom call duration. • The outgoing CO call duration starts when the programmable timer expires.
Module Expansion	(Installation Manual) Section 3	<p>The Description section is changed as follows: The KX-TD816 starts with 4 CO line and 8 extension jacks. The KX-TD1232 starts with 8 CO line and 16 extension jacks. They can be expanded by installing optional units.</p> <ul style="list-style-type: none"> • A 16-SLT Line Unit adds 8 extension jacks containing two single line telephones • An 8-Station Line Unit adds 8 extension jacks. • A 4-CO Line Unit adds 4 CO line jacks. • An ISDN 2-S0 Line Unit adds 2 ISDN S0 jacks. • An ISDN 6-S0 Line Unit adds 6 ISDN S0 line jacks. <p>The KX-TD816 can have either one 8-Station Line Unit or one 16-SLT Line Circuit Unit and either one 4-CO Line Unit, one 2-ISDN S0 Line Unit or one 6-ISDN S0 Line Unit. The KX-TD1232 can have a maximum of two 8-Station Line Units or a maximum of two 16-SLT Line Circuit Units and either one 4-CO Line Unit, one 2-ISDN S0 Line Unit or one 6-ISDN S0 Line Unit.</p>
Station Message Detail Recording (SMDR)	(Installation Manual) Section 3	The following program is added: Programming References [990] System Additional Information Field (38)
[001] System Speed Dialing Number Set	(Installation Manual) Section 4	The third condition “If you are storing a number for “Call Incoming Call Information Display” is changed as follows: <ul style="list-style-type: none"> • If you are storing a number for CO Incoming Call Information Display with name, enter “-” (hyphen) after the line access code. The system starts to compare the calling party’s number or called party's number with the System Speed Dialing Number stored after “-.” Example : 9-12345678 (Refer to Section 3 “CO Incoming Call Information Display.”)

FEATURE TITLE	SECTION OF THE MANUAL	REVISION
[105] Account Codes	(Installation Manual) Section 4	<ul style="list-style-type: none"> • Location number is changed to “001 through 128.” • Step 3 is changed as follows: <ul style="list-style-type: none"> 3. Enter a location number. To enter location number 001, you can also press NEXT. Display example: 001:Not Stored • The first condition is changed as follows: <ul style="list-style-type: none"> • There is a maximum of 128 verifiable account codes. Each code has a maximum of 10 digits, consisting of 0 through 9.
[109] Expansion Unit Type	(Installation Manual) Section 4	<p>The Selection section is changed as follows:</p> <p>KX-TD816</p> <ul style="list-style-type: none"> • Areas 1; 2 = C (4CO) / S1 (2 S0) / S2 (6 S0) / E (EXT) / A (16 SLT) <p>KX-TD1232</p> <ul style="list-style-type: none"> • Master / Slave • Areas 1; 2; 3 = C (4CO) / S1 (2 S0) / S2 (6 S0) / E1 (EXT1) / E2 (EXT2) / A1 (16 SLT) / A2 (16 SLT) <p>The following condition is added:</p> <ul style="list-style-type: none"> • Each parameter corresponds to an expansion unit as follows: C=KX-TD180, S1=KX-TD280, S2=KX-TD286, E, E1 and E2=KX-TD170, A, A1 and A2=KX-TD174 <p>The first and second conditions are changed as follows:</p> <ul style="list-style-type: none"> • There are two expansion areas in KX-TD816, areas 1 and 2 from bottom to top. Either one 8-Station Line Unit or one 16-SLT Line Unit and either one 4-CO Line Unit , 2-ISDN S0 Line Unit or 6-ISDN S0 Line Unit can be installed. • There are three expansion areas in each system for KX-TD1232, areas 1, 2 and 3 from bottom to top. Up to two 8-Station Line Units or up to two 16-SLT Line Units and either one 4-CO Line Unit, one 2-ISDN S0 Line Unit or 6-ISDN S0 Line Unit can be installed in each system.

FEATURE TITLE	SECTION OF THE MANUAL	REVISION
[125] User Password	(Installation Manual) Section 4	The following programs are also available in the User Programming Mode. [012] ISDN Extension Number Set [013] ISDN Extension Name Set [014] Budget Management on ISDN Port
[417] CO Line Name Assignment	(Installation Manual) Section 4	The second condition “There is a maximum of 24 names.....10 characters” is changed as follows: • Each name has a maximum of 10 characters.
[418] ISDN Line Number Assignment	(Installation Manual) Section 4	The Selection section is changed as follows: • CO line number: KX-TD816 – 01 through 08 KX-TD1232 – 01 through 24 The first condition “In the case ofif available.” is changed as follows: • In the case of KX-TD1232, CO01 through CO12 are for the Master System and CO13 through CO24 are for the Slave, if available.
[419] ISDN Outgoing CLIR Service Assignment	(Installation Manual) Section 4	The Selection section is changed as follows: • CO line number: KX-TD816 – 01 through 08, * (* =all CO lines) KX-TD1232 – 01 through 24, * (* =all CO lines) The first condition “In the case ofif available.” is changed as follows: • In the case of KX-TD1232, CO01 through CO12 are for the Master System and CO13 through CO24 are for the Slave, if available.
[420] ISDN DDI Service Assignment	(Installation Manual) Section 4	The Selection section is changed as follows: • CO line number: KX-TD816 – 01 through 08, * (* =all CO lines) KX-TD1232 – 01 through 24, * (* =all CO lines) The first condition “In the case ofif available.” is changed as follows: • In the case of KX-TD1232, CO01 through CO12 are for the Master System and CO13 through CO24 are for the Slave, if available.

FEATURE TITLE	SECTION OF THE MANUAL	REVISION
[601] Class of Service	(Installation Manual) Section 4	The first condition is changed as follows: <ul style="list-style-type: none"> • There is a maximum of eight Classes of Services. Every extension must be assigned to a Class of Service and is subject to the COS Programming of programs [500] through [508] and [991]. The restriction of program [991], field 1, applies only for analog outside lines.
[611] ISDN DDI Number / Floating Number Transformation	(Installation Manual) Section 4	The Selection section is changed as follows: <ul style="list-style-type: none"> • Floating Station: KX-TD816 – Operator / Pager 1 / ISDN 01 / ISDN 02 / ISDN 03 / ISDN 04 / ISDN 05 / ISDN 06 KX-TD1232 – Operator / Pager 1 / Pager 2 / Pager 3 / Pager 4 / DISA 1/ DISA 2 / MODEM / ISDN 01 / ISDN 02 / ISDN 03 / ISDN 04 / ISDN 05 / ISDN 06 / ISDN 07 / ISDN 08 / ISDN 09 / ISDN 10 / ISDN 11 / ISDN 12
[991] COS Additional Information	(Installation Manual) Section 4	The following condition is added: <ul style="list-style-type: none"> • The restriction of field 1 applies only for analog outside lines.

CO Incoming Call Information Display

Description

Provides the display proprietary telephone user with pre-assigned information if an incoming outside call is received.

You can select one of the following by system programming.

- The caller's telephone number and name — available for an ISDN line provided with the CLIP (Calling Line Identification Presentation) feature.
- The CO line number and CO line name — this information is useful in the following case:
When several divisions or companies are connected to one system and they have their own CO lines, a user can check the called party with the LCD before answering the call if each division's or company's name is assigned to a CO line.
- The called party's number and name — available for ISDN lines only.

Changed

Conditions

- It is required to name CO lines by system programming.

Changed

- With the CLIP feature, the ISDN line informs the system of the caller's telephone number or called party's number. To display the name, the system compares the informed number with the System Speed Dialing Numbers stored in program [001] and if a match is found, decides the caller's name or called party's name by using the System Speed Dialing Names stored in program [002].
- The display DPT (KX-T7230 or KX-T7235) user can record the information of the call received by CLIP feature (CO Incoming Call Information Log feature).

Connection References

Section 2, Installation,
2.4.4 CO Line Connection

Programming References

Added and Changed Features for Installation Manual
Section 4, System Programming,
[001] System Speed Dialing Number Set
[002] System Speed Dialing Name Set
[417] CO Line Name Assignment
[418] ISDN Line Number Assignment
[419] ISDN Outgoing CLIR Service Assignment

Added → [612] Incoming Call Display— In this manual

Feature References

Added and Changed Features for Installation Manual
Section 3, Features,
CO Incoming Call Information Log

Operation Reference DPT Features,
—Added and Changed CO Incoming Call Information Display
Features for
User Manual

Programming Tables for Added and Changed Features

012-014

	[012] ISDN Extension Number Set	[013] ISDN Extension Name Set	[014] Budget Management on ISDN Port
Item: ISDN Port No.	Extension Number (2 or 3 digits)	Name (Max.10 characters)	Charge Limitation: 0 through 59999
Default	All ports: Not stored	All ports: Not stored	All ports: 0
All ports			
01			
02			
03			
04			
05			
06			
07			
08			
09			
10			
11			
12			

<Note> KX-TD816: Ports 01 through 06

KX-TD1232: Ports 01 through 06 for Master and 07 through 12 for Slave

[105] Account Codes					
Item: Location No.	Parameter: Account Code (10 digits max., consisting of 0 — 9)	Item: Location No.	Parameter: Account Code (10 digits max., consisting of 0 — 9)	Item: Location No.	Parameter: Account Code (10 digits max., consisting of 0 — 9)
Default	All: Not Stored				
021		041		061	
022		042		062	
023		043		063	
024		044		064	
025		045		065	
026		046		066	
027		047		067	
028		048		068	
029		049		069	
030		050		070	
031		051		071	
032		052		072	
033		053		073	
034		054		074	
035		055		075	
036		056		076	
037		057		077	
038		058		078	
039		059		079	
040		060		080	

[105] Account Codes					
Item: Location No.	Parameter: Account Code (10 digits max., consisting of 0 — 9)	Item: Location No.	Parameter: Account Code (10 digits max., consisting of 0 — 9)	Item: Location No.	Parameter: Account Code (10 digits max., consisting of 0 — 9)
Default	All: Not Stored				
081		101		121	
082		102		122	
083		103		123	
084		104		124	
085		105		125	
086		106		126	
087		107		127	
088		108		128	
089		109		\	
090		110			
091		111			
092		112			
093		113			
094		114			
095		115			
096		116			
097		117			
098		118			
099		119			
100		120			

[109] Expansion Unit Type																						
KX-TD816																						
Area No.	1					2																
Selection	C	S1	S2	E	A	C	S1	S2	E	A												
Default	✓								✓													
Parameter																						
KX-TD1232; Master System																						
Area No.	1						2						3									
Selection	C	S1	S2	E1	E2	A1	A2	C	S1	S2	E1	E2	A1	A2	C	S1	S2	E1	E2	A1	A2	
Default	✓										✓									✓		
Parameter																						
KX-TD1232; Slave System																						
Area No.	1						2						3									
Selection	C	S1	S2	E1	E2	A1	A2	C	S1	S2	E1	E2	A1	A2	C	S1	S2	E1	E2	A1	A2	
Default	✓										✓									✓		
Parameter																						

<Note>

C: 4CO, S1:2S0, S2:6S0, E and E1:EXT1, E2:EXT2, A and A1: 16SLT1, A2: 16SLT2

418 – 420

Item : CO Line No.	[418] ISDN Line Number Assignment Parameter : Max. 16 digits	[419] ISDN Outgoing CLIR Service Assignment		[420] ISDN DDI Service Assignment	
		Selection		Selection	
		Enable	Disable	Enable	Disable
Default: All CO lines	Not Stored	✓			✓
All CO lines					
01					
02					
03					
04					
05					
06					
07					
08					
09					
10					
11					
12					
13					
14					
15					
16					
17					
18					
19					
20					
21					
22					
23					
24					

<Note>
 KX-TD816: CO line Numbers
 01 through 08
 KX-TD1232: CO line numbers
 01 through 12 for Master
 and 13 through 24 for Slave

424 – 427

[424] ISDN Port Type		[425] ISDN Layer 1 Active Mode		[426] ISDN Configuration		[427] ISDN Data Link Mode		
Item: ISDN Port No.	Selection		Selection		Selection		Selection	
	CO	Extension	Permanent	Call	Point	Multipoint	Permanent	Call
Default	All ports: CO		TD816– port 05&06: Call other ports: Permanent TD1232– all ports: Permanent		TD816– port 05&06: Multipoint other ports: Point TD1232– all ports: Point		TD816– port 05&06: Call other ports: Permanent TD1232– all ports: Permanent	
All ports								
01								
02								
03								
04								
05								
06								
07								
08								
09								
10								
11								
12								

<Note> KX-TD816: Ports 01 through 06
 KX-TD1232: Ports 01 through 06 for Master and 07 through 12 for Slave

428-430, 611

[428] ISDN TEI Mode		[429] ISDN Extension Multiple Subscriber Number		[430] ISDN Extension Progress Tone		
Item: ISDN Port No.	Selection		Selection		Selection	
	Fix 0 through 63	Automatic	Enable	Disable	Enable	Disable
Default	TD816– port 05&06: Automatic Other ports: Fix 0 TD1232– all ports: Fix 0		All ports: Disable		All ports: Disable	
All ports						
01						
02						
03						
04						
05						
06						
07						
08						
09						
10						
11						
12						

<Note> KX-TD816: Ports 01 through 06
 KX-TD1232: Ports 01 through 06 for Master and 07 through 12 for Slave

[611] ISDN DDI Number / Floating Number Transformation	
Item: Floating Ext. No.	Default: All–not stored Selection
	Parameter: 1 through 6 digits, consisting of 0 - 9
Operator	
Pager 1	
Pager 2*	
Pager 3*	
Pager 4*	
DISA 1*	
DISA 2*	
MODEM*	
ISDN 1	
ISDN 2	
ISDN 3	
ISDN 4	
ISDN 5	
ISDN 6	
ISDN 7*	
ISDN 8*	
ISDN 9*	
ISDN 10*	
ISDN 11*	
ISDN 12*	

[611]
 <Note>
 *: available for the KX-TD1232 only.

612-613

[612]								
Incoming Call Display								
Item :	Default: all jacks – Calling Selection			Item :	Default: all jacks – Calling Selection			
	Jack No.	Calling	Called		CO Line Name	Jack No.	Calling	Called
All jacks								
01				33				
02				34				
03				35				
04				36				
05				37				
06				38				
07				39				
08				40				
09				41				
10				42				
11				43				
12				44				
13				45				
14				46				
15				47				
16				48				
17				49				
18				50				
19				51				
20				52				
21				53				
22				54				
23				55				
24				56				
25				57				
26				58				
27				59				
28				60				
29				61				
30				62				
31				63				
32				64				

[612]

<Note>

Jack No.17 through 64 are for KX-TD1232 only.

[613]								
ISDN Class of Service								
Item:	Default: all ports – Primary, Secondary = COS 1, COS1							
	Port No.	Selection: COS No. (1 – 8)						
		1	2	3	4	5	6	7
All ports-Primary								
-Secondary								
01 -Primary								
-Secondary								
02 -Primary								
-Secondary								
03 -Primary								
-Secondary								
04 -Primary								
-Secondary								
05 -Primary								
-Secondary								
06 -Primary								
-Secondary								
07 -Primary								
-Secondary								
08 -Primary								
-Secondary								
09 -Primary								
-Secondary								
10 -Primary								
-Secondary								
11 -Primary								
-Secondary								
12 -Primary								
-Secondary								

[613]

<Note> KX-TD816: Ports 01 through 06

KX-TD1232: Ports 01 through 06 for Master
and 07 through 12 for Slave

[614] Outgoing Permitted CO Line Assignment - Day for ISDN Extension																							E : Enable			
																							D : Disable			
Item:	CO01	CO02	CO03	CO04	CO05	CO06	CO07	CO08	CO09	CO10	CO11	CO12	CO13	CO14	CO15	CO16	CO17	CO18	CO19	CO20	CO21	CO22	CO23	CO24		
ISDN	Default: All ports, all CO lines – Enable																									
Port No.	E	D	E	D	E	G	E	D	E	D	E	D	E	D	E	D	E	D	E	D	E	D	E	D	E	D
All ports																										
01																										
02																										
03																										
04																										
05																										
06																										
07																										
08																										
09																										
10																										
11																										
12																										

<Note> KX-TD816: Ports 01 through 06

KX-TD1232: Ports 01 through 06 for Master and 07 through 12 for Slave

615

[615] Outgoing Permitted CO Line Assignment - Night for ISDN Extension																							E : Enable			
																							D : Disable			
Item:	CO01	CO02	CO03	CO04	CO05	CO06	CO07	CO08	CO09	CO10	CO11	CO12	CO13	CO14	CO15	CO16	CO17	CO18	CO19	CO20	CO21	CO22	CO23	CO24		
ISDN	Default: All ports, all CO lines – Enable																									
Port No.	E	D	E	D	E	G	E	D	E	D	E	D	E	D	E	D	E	D	E	D	E	D	E	D	E	D
All ports																										
01																										
02																										
03																										
04																										
05																										
06																										
07																										
08																										
09																										
10																										
11																										
12																										

<Note> KX-TD816: Ports 01 through 06
 KX-TD1232: Ports 01 through 06 for Master and 07 through 12 for Slave

[990] System Additional Information																
AREA 02 [Fields 11 through 26, and 37]																
Field	Un-used	37	26	22	21	20	19	18	17	16	15	14	13	12	11	
Default	—	0	0	0	0	1	1	0	0	0	1	0	1	1	0	0
Selection																
AREA 05 [Fields 31 through 34, and 36]																
Field	Unused					36	33	32	31	Un-used	34	Unused				
Default	—	—	—	—	—	1	0	1	1	—	0	—	—	—	—	—
Selection																
AREA 06 [Fields 35 and 38]																
Field	Unused													38	35	
Default	—	—	—	—	—	—	—	—	—	—	—	—	—	—	1	1
Selection																

<Selection>
Field **37** : **0** (1000ms) / **1** (136ms)
38 : **0** (Disable) / **1** (Enable)
: **0** (not printed out) / **1** (printed out)