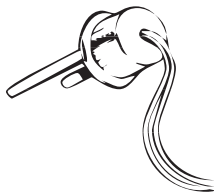


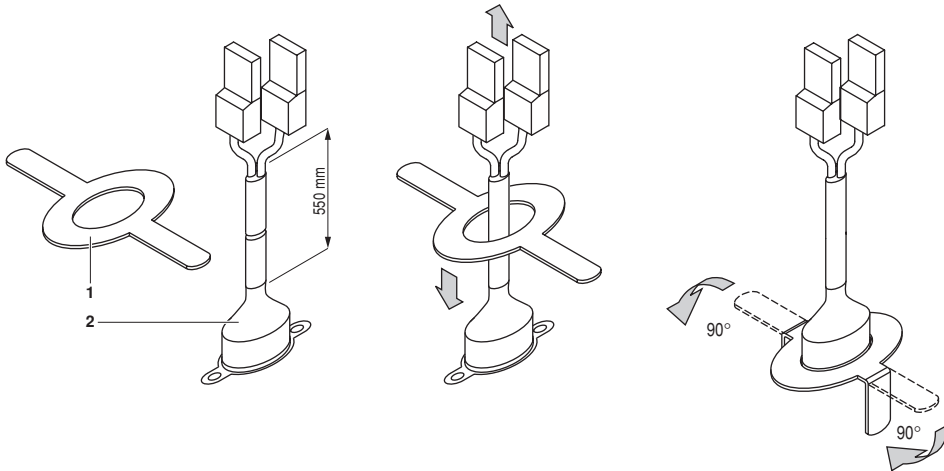


# INSTALLATION MANUAL

## Fan stop thermostat



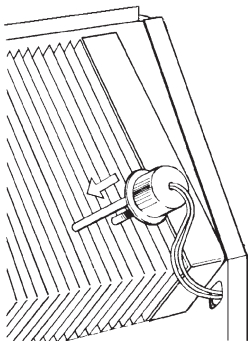
YFSTA6



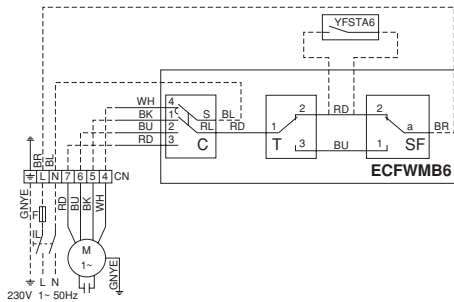
1

2

3



4



5



Read this manual attentively before starting up the unit. Do not throw it away. Keep it in your files for future reference.

Improper installation or attachment of equipment or accessories could result in electric shock, short-circuit, leaks, fire or other damage to the equipment. Be sure only to use accessories made by Daikin which are specifically designed for the use with the equipment and have them installed by a professional.

If unsure of installation procedures or use, always contact your Daikin dealer for advice and information.

## FEATURES

The fan stop thermostat is a thermostat with automatic resetting. It automatically stops the motor driven fan when the temperature of the water inside the heat exchanger falls below the pre-set value (42°C). Its use is therefore restricted to the heating mode and it is available for the entire range of FW units. This kit avoids cold air circulation when heating mode is required.

The fan stop thermostat YFSTA6 can only be used in combination with the ECFWMB6 controller.

The fan stop thermostat is set up to be fixed to the fins of the heat exchanger.

For ECFWER6 and ECFWEB6 this function is integrated in the controller.

### NOTE



Also in case the unit is not equipped with a Daikin controller, the fan stop thermostat YFSTA6 can be used. It then operates as a volt free contact that closes when temperature rises over 42°C. In this case, it is the responsibility of the installer to use this option in the appropriate way.

## INSTALLATION

- The kit shown in [figure 1](#) consists of:
  - 1 bracket for the assembly to the fins of the heat exchanger.
  - 2 fan stop thermostat.
- Use safety gloves.
- Take off the cabinet (if present).
- Assemble the thermostat to the bracket routing the cables (L = 550 mm) inside the opening, as shown in [figure 2](#), until the body of the thermostat comes into touch with the bracket.
- Bend the tails of the bracket 90° ([figure 3](#)), paying attention that the body of the thermostat stays in touch with the bracket itself.
- Fully insert the tails of the bracket into the fins of the heat exchanger on the electrical connections side, and route the cables through the opening. (See [figure 4](#)).

## FIELD WIRING



- All field wiring and components must be installed by a licensed electrician and must comply with relevant local and national regulations.
- Before obtaining access to terminals, all power supply circuits must be interrupted.

Make the electrical connection with power OFF.

For combination with ECFWMB6 controller, strictly follow the wiring diagram in [figure 5](#).



# NOTES

