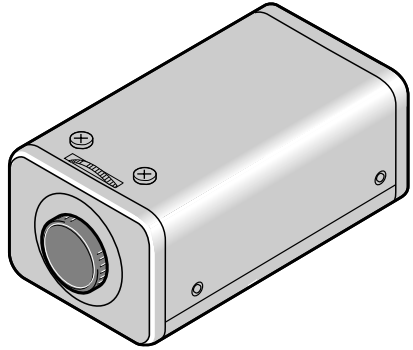


SANYO**INSTRUCTION MANUAL****VCC-6695P
VCC-6584DN****Color CCD Camera****About this manual**

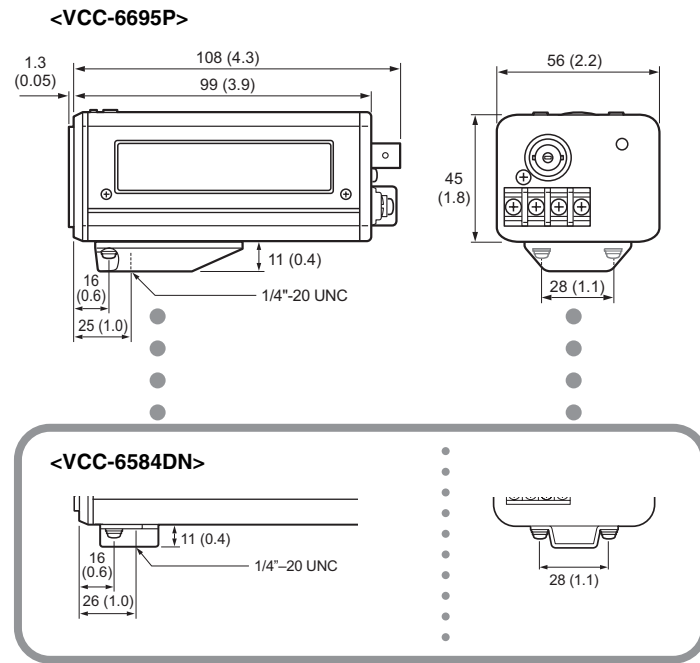
- Before installing and using the camera, please read this manual carefully. Be sure to keep it handy for later reference.
- This manual covers two models. Any difference between the two models is indicated when necessary.

Depending on the conditions of use, installation and environment, please be sure to make the appropriate settings and adjustments. If you need help with installation and/or settings, please consult your dealer or an Authorized Sanyo Service Center.

SPECIFICATIONS

| | |
|--------------------------------|--|
| Scanning system | : VCC-6695P: PAL standard 625 lines, 50 fields/sec. VCC-6584DN: NTSC standard 525 lines, 60 fields/sec. |
| Image sensor | : 1/3" interline transfer method CCD |
| Number of effective pixels | : VCC-6695P: 752 (H) x 582 (V) VCC-6584DN: 768 (H) x 494 (V) |
| Horizontal resolution | : 540 TV lines, typical |
| Minimum illumination (approx.) | : 0.25 lx (F1.2, B/W mode), 0.35 lx (F1.2, color mode) |
| Video output | : 1.0 V(p-p)/75 Ω, composite, BNC |
| Video S/N ratio | : More than 48 dB (AGC off: More than 50 dB) |
| Backlight compensation | : OFF, Multi-spot metering (High/Normal), Center zone metering |
| White balance | : ATW/Manual |
| Light control | : Optical auto iris lens/Electronic iris (indoor use) |
| Lens mount | : CS mount |
| Flange back | : 12.5 mm ±0.5 mm/0.5 in. ±0.02 in. adjustment |
| Sync system | : Internal sync/Line lock |
| Day/Night mode | : ON/OFF |
| Operating Environment | : Temperature: -10°C – +50°C (14°F – 122°F) Humidity: less than 90 % RH (no condensation) |
| Power supply | : VCC-6695P: 24 V AC ±10%, 50 Hz/ 12 – 15 V DC VCC-6584DN: 24 V AC ±10%, 60 Hz/ 12 – 15 V DC |
| Power consumption (approx.) | : 3.6 W (with auto-iris lens) |
| Weight (approx.) | : 260 g/9.2 oz. (without lens) |

Appearance and specifications are subject to change without prior notice or obligations.

DIMENSIONS

Unit: mm (inch)

TROUBLESHOOTING

Before sending the camera out for repair, check the items below.

If the problem persists after checking these items, consult your dealer or an Authorized Sanyo Service Center.

■ If no image appears

- Is the coaxial cable attached securely?
- Are the power and voltage normal?
- Has the iris of the lens been adjusted correctly (with the LEVEL dial)?
- Is there adequate illumination?

■ If the image is unclear

- Is the monitor adjusted correctly?
- Is the flange-back position correctly set?
- Is the lens in focus?
- Is the lens clean?
Dirt or fingerprints on the lens can adversely affect the image. Gently wipe any dirt or fingerprints off the lens with a soft cloth or lens cleaning paper and cleaning fluid (commercially available).

SERVICE

The camera is a precision instrument. Handle it carefully and always follow the safety precautions. If the camera requires service, never try to repair it yourself or open the casing.

For servicing, maintenance, or repairs, consult your dealer or an Authorized Sanyo Service Center.

PRECAUTIONS**■ In case of a problem**

Do not use the unit if smoke or a strange odor comes from the unit, or if it seems not to function correctly. Turn off the power immediately and disconnect the power cord, and then consult your dealer or an Authorized Sanyo Service Center.

■ Do not open or modify

Do not open the cabinet, as it may be dangerous and cause damage to the unit. For repairs, consult your dealer or an Authorized Sanyo Service Center.

■ Do not put objects inside the unit

Make sure that no metal objects or flammable substance get inside the unit. If used with a foreign object inside, it could cause a fire, a short-circuit or damage. Be careful to protect the unit from rain, sea water, etc. If water or liquid gets inside the unit, turn off the power immediately and disconnect the power cord, and then consult your dealer or an Authorized Sanyo Service Center.

■ Be careful when handling the unit

To prevent damage, do not drop the unit or subject it to strong shock or vibration.

■ Do not install this unit close to magnetic fields

The magnetic fields may result in unstable operation.

■ Protect from humidity and dust

To prevent damage, do not install the unit where there is greasy smoke or steam, where the humidity may get too high, or where there is a lot of dust.

■ Protect from high temperatures

Do not install close to stoves, or other heat sources, such as spotlights, etc., or where it could be subject to direct sunlight, as this could cause deformation, discoloration or other damages.

Be careful when installing close to the ceiling, in a kitchen or boiler room, as the temperature may rise to high levels.

■ Cleaning

- Dirt can be removed from the cabinet by wiping it with a soft cloth. To remove stains, wipe with a soft cloth moistened with a soft detergent solution and wrung dry, then dry by wiping with a soft cloth.
- Do not use benzine, thinner or other chemical products on the cabinet, as this may cause deformation and paint peeling. Before using a chemical cloth, make sure to read all accompanying instructions. Make sure that no plastic or rubber material comes into contact with the cabinet for a long period of time, as this may cause damage or paint peeling.




1AC6P1P3335--
L5CP2/XE, US (0508KP-HS)

SANYO

SANYO Electric Co., Ltd.
Printed in China

For EU Users



Please note:
Your SANYO product is designed and manufactured with high quality materials and components which can be recycled and reused. This symbol means that electrical and electronic equipment, at their end-of-life, should be disposed of separately from your household waste. Please dispose of this equipment at your local community waste collection/recycling centre. In the European Union there are separate collection systems for used electrical and electronic products. Please help us to conserve the environment we live in!

This symbol mark and recycle system are applied only to EU countries and not applied to countries in other areas of the world.

SANYO FISHER Sales (Europe) GmbH
Stahlgruberring 4, D-81829 München, Germany
SANYO Electric Co., Ltd.
1-1, Sanyo-cho, Daito City, Osaka 574-8534, Japan

For Russian Users

This product certified by official certification company which is authorized by Russian Federation.
для ПОЛЬЗОВАТЕЛЕЙ РОССИИ
Данная продукция сертифицирована официальным органом по сертификации Российской Федерации.

For US and Canadian Users**Safety Guard**

THIS SYMBOL INDICATES THAT THERE ARE IMPORTANT OPERATING AND MAINTENANCE INSTRUCTIONS IN THE LITERATURE ACCOMPANYING THIS UNIT.

WARNING:
TO PREVENT THE RISK OF FIRE OR ELECTRIC SHOCK, DO NOT EXPOSE THIS APPLIANCE TO RAIN OR MOISTURE.

For the customers in Canada

This Class B digital apparatus complies with Canadian ICES-003.
Pour la clientèle canadienne
Cet appareil numérique de la Classe B est conforme à la norme NMB-003 du Canada.

This installation should be made by a qualified service person and should conform to all local codes.

This equipment has been tested and found to comply with the limits for a Class B digital device, pursuant to Part 15 of the FCC Rules. These limits are designed to provide reasonable protection against harmful interference in a residential installation. This equipment generates, uses, and can radiate radio frequency energy and, if not installed and used in accordance with the instructions, may cause harmful interference to radio communications. However, there is no guarantee that interference will not occur in a particular installation. If this equipment does cause harmful interference to radio or television reception, which can be determined by turning the equipment off and on, the user is encouraged to try to correct the interference by one or more of the following measures:

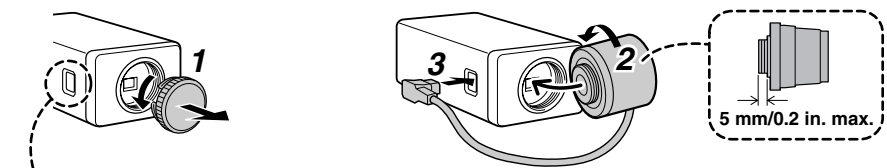
- Reorient or relocate the receiving antenna.
- Increase the separation between the equipment and receiver.
- Connect the equipment into an outlet on a circuit different from that to which the receiver is connected.
- Consult the dealer or an experienced radio/TV technician for help.

This device complies with Part 15 of the FCC Rules. Operation is subject to the following two conditions: (1) This device may not cause harmful interference, and (2) this device must accept any interference received, including interference that may cause undesired operation. Changes or modifications not expressly approved by **Sanyo** may void the user's authority to operate this camera.

CONNECTIONS AND ADJUSTMENTS

■ Attaching the lens

Use any DC type and CS mount lens equipped with an auto iris (sold separately).



Pin layout for LENS terminal

Brake coil (-) Drive coil (+)
Brake coil (+) Drive coil (-)

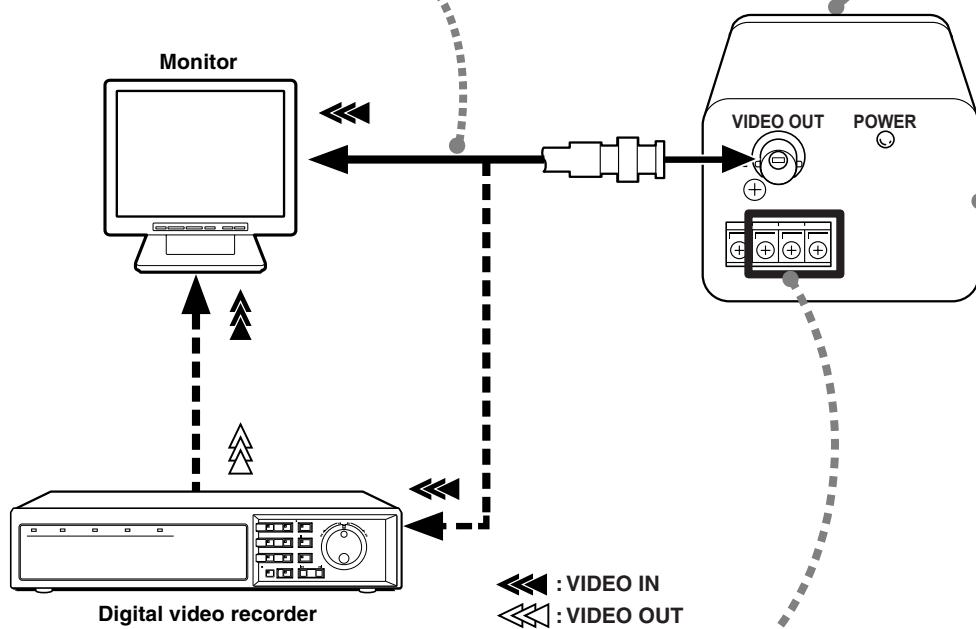
- Depending on the type of the lens, the shape of the lens plug may differ. In this case, consult your dealer or an Authorized Sanyo Service Center.
- Apply adapter ring (sold separately) when you use any C mount lens.

■ Supported coaxial cables

Cable type – Length:

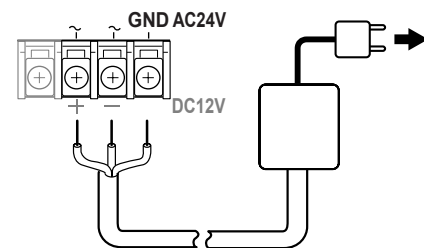
- RG-59U (3C-2V) – 250 m/273 yd max.
- RG-6U (5C-2V) – 500 m/547 yd max.
- RG-11U (7C-2V) – 600 m/656 yd max.

- When using an RG-59U (3C-2V) cable, do not use it on piping or air wiring.
- If you use a cable other than the type above, the image or sync signal will be attenuated and will not be transmitted correctly.



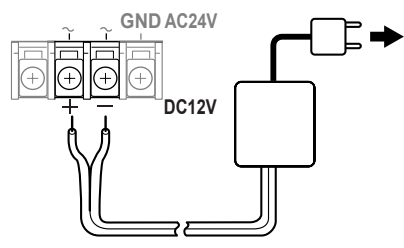
■ Power cable

<AC 24 V connection>



To prevent a fire hazard use any UL listed wire rated VW-1.

<DC 12 V connection>

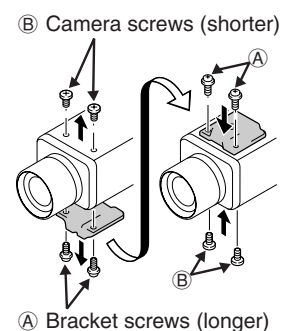


Check that polarity is correct.

■ Camera attachment

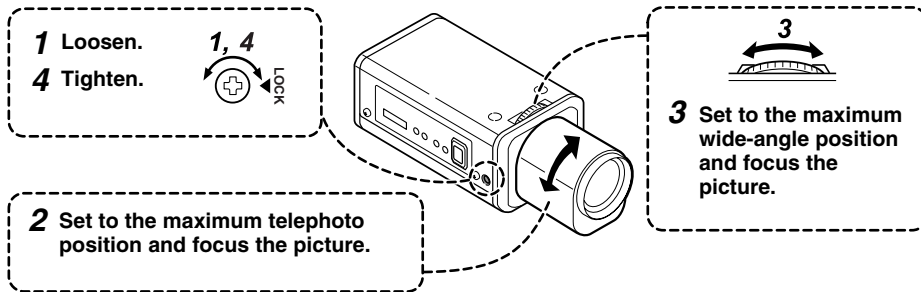
When attaching the camera, make sure to verify that the attachment surface will allow full tightening of the screws. Plaster board, etc., may not give a strong enough attachment, and it is recommended to use a reinforcement, or other method so that the screws are anchored securely.

- When monitoring lighting or other extremely bright objects (which exceed the maximum required illumination), smearing may occur in the vertical or horizontal direction (either above and below the high-brightness object or as a perpendicular band). In such a case, adjust the angle of illumination and other factors while observing the monitor.
- You can change the bracket topside down. Make sure to use the longer screws (A) to secure the bracket.



■ Flange-back adjustment

This normally does not need adjustment. If the picture is out of focus at the telephoto position, adjust the flange-back position as described below.

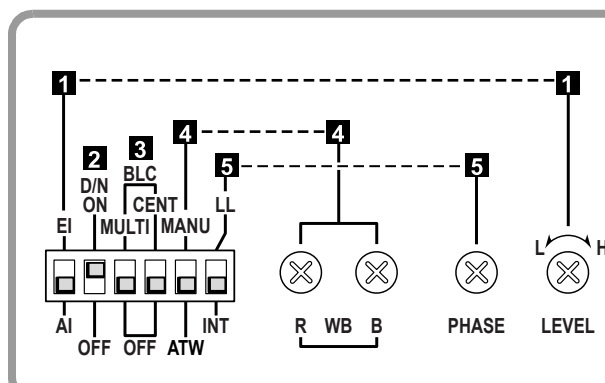


Repeat steps 2 and 3 until the image stays in-focus when changing from a wide-angle position to a telephoto position.

■ Camera adjustments/settings

The camera comes pre-adjusted and ready to install at the time of factory shipment, but you can make adjustments or settings if you need.

If you have trouble adjusting the camera, consult your dealer or an Authorized Sanyo Service Center.



1 Iris setting (EI/AI)

| EI (Electronic Iris) | AI (Auto Iris) |
|---|------------------------------|
| When using a manual or fixed iris lens and the electronic iris function is on | When using an auto-iris lens |
| • For indoor use | |
| | |

NOTE on EI setting:

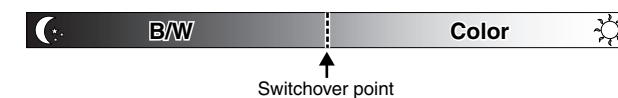
- Set the lens aperture to the shortest F stop.
- If fluorescent lighting is used where the camera is installed, the object will flicker as a result. This type of phenomenon can be avoided by replacing the fluorescent lighting with incandescent lamps.
- If the light entering the lens exceeds the maximum required illumination, the image cannot be displayed properly. In that case, manually adjust the lens iris.

NOTE on AI setting:

If the entire image is too dark or too bright, adjust the contrast using the LEVEL dial.

- L (Counterclockwise): Closes the lens iris, making the entire image darker.
- H (Clockwise): Opens the lens iris, making the entire image brighter.

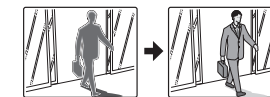
2 Day/Night function (D/N)



| ON | OFF |
|---|-------------------|
| Automatically switches to B/W (non-IR sensitive) to optimize low light surveillance | Color images only |
| | |

3 Backlight compensation (BLC)

Only when using an auto-iris lens



| MULTI (Multi-spot metering) | CENT (Center zone metering) | OFF |
|--|---|-----|
| Backlight compensation to the entire screen* | Backlight compensation to the central portion of the screen | |
| | | |

* If the background of the object is extremely dark, set to Center zone metering.

4 White balance (WB)

| MANU (Manual white balance) | ATW (Auto-Tracing White balance) |
|-----------------------------|----------------------------------|
| | |

5 Sync setting (LL/INT)

| LL (Line-Lock) | INT (Internal sync) |
|--|---------------------|
| (Only when using an AC power supply) Synchronizes the unit with power frequency* | |
| | |

* Adjust the roll by turning the PHASE dial on the second and subsequent cameras.

If the vertical roll cannot be corrected by adjusting the PHASE dial on the second and subsequent cameras, try adjusting the PHASE dial on the first camera. If it still cannot be corrected, please check that the polarity of the power cords of all connected devices is correct.