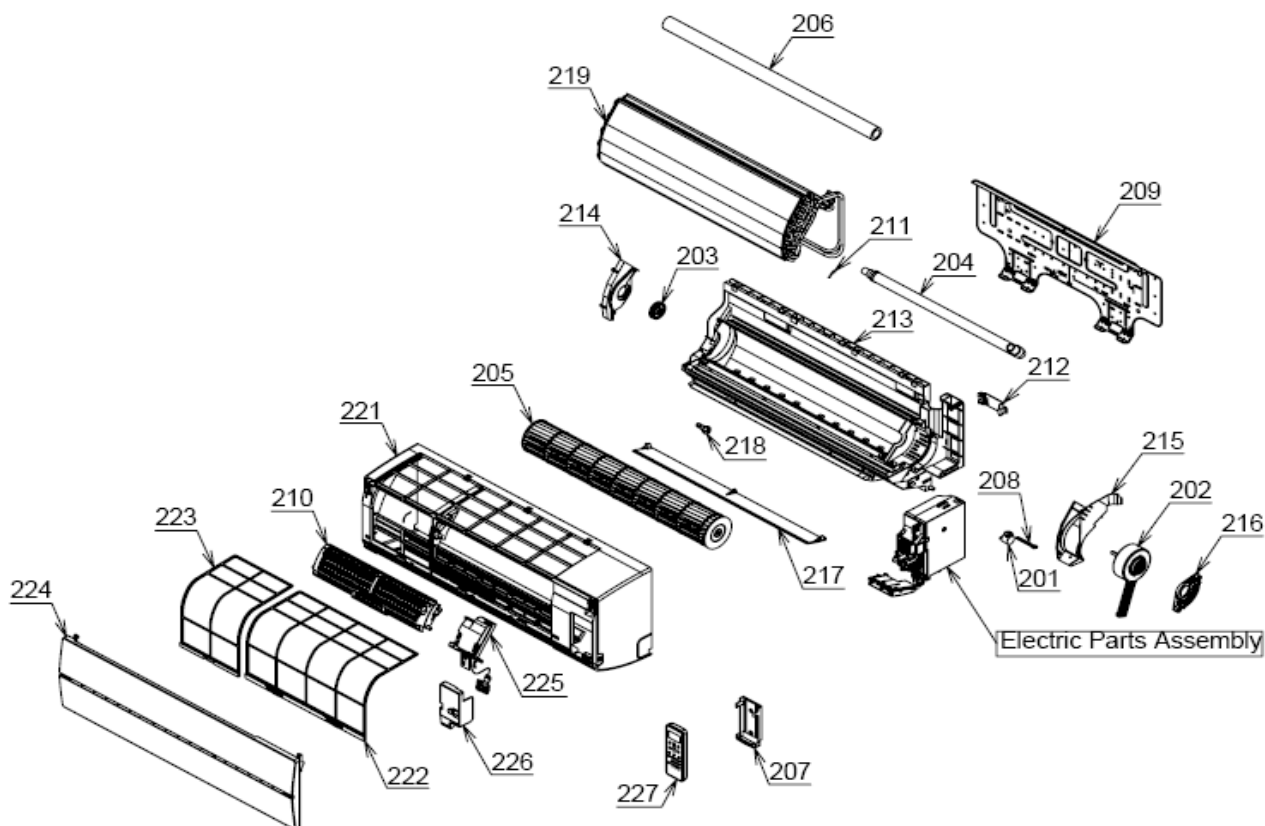


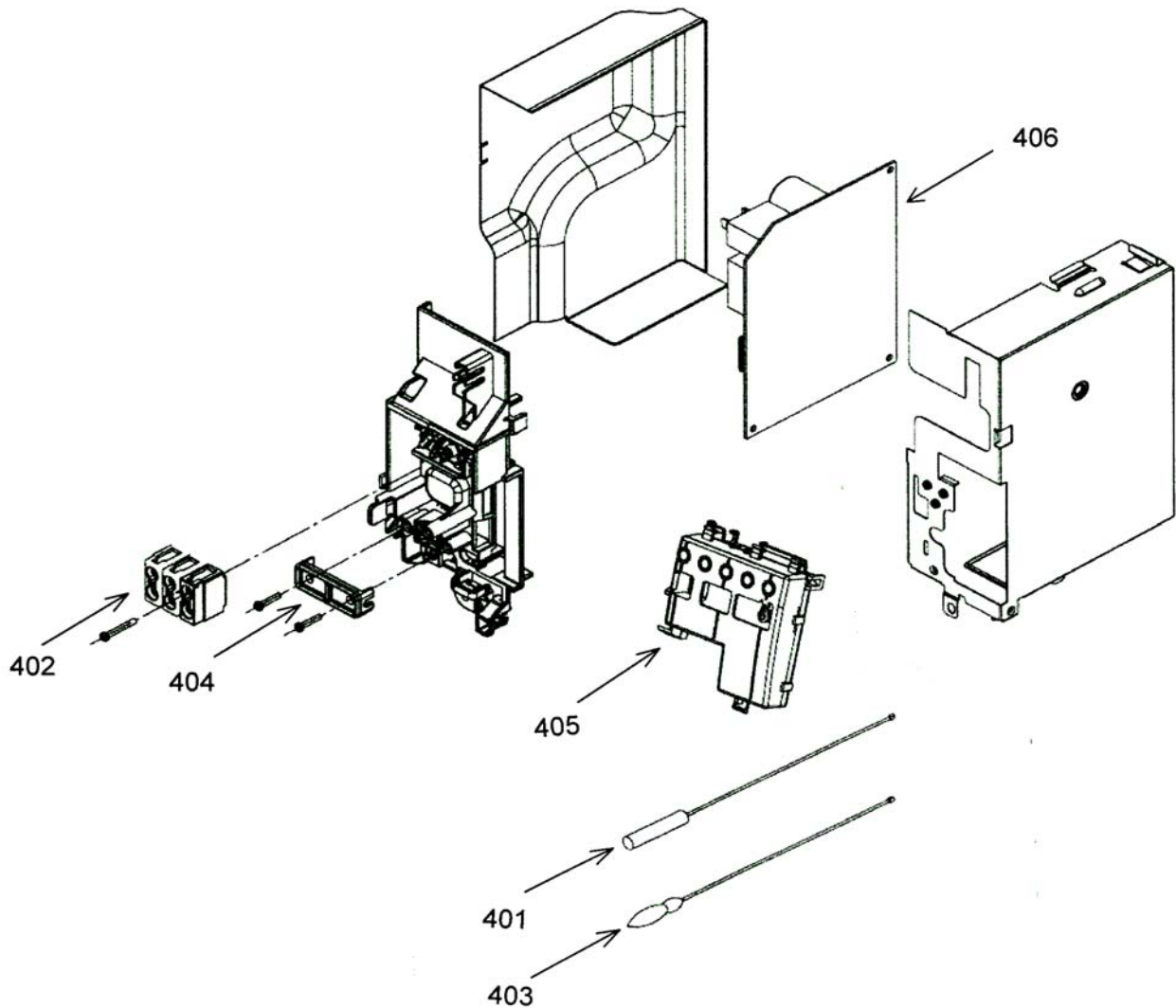
13. EXPLODED VIEWS AND PARTS LIST

13-1. Indoor Unit (1)



Location No.	Part No.	Description	Location No.	Part No.	Description
201	43T21397	LOUVER MOTOR	218	43T79313	DRAIN CAP
202	43T21371	FAN MOTOR (RAS-16SKV-E,SKVR-E)	219	43T44402	REFRIGERANT CYCLE ASSEMBLY (RAS-13SKV-E, 10,13SKVR-E)
202	43T21393	FAN MOTOR (RAS-10,13SKVR-E)	219	43T44403	REFRIGERANT CYCLE ASSEMBLY (RAS-16SKV-E,SKVR-E)
202	43T21399	FAN MOTOR ASSEMBLY (RAS-13SKV-E)	221	43T00488	PANEL SERVICE ASSEMBLY (RAS-13,16SKV-E)
203	43T22312	MOLD BEARING ASSEMBLY	221	43T00489	PANEL SERVICE ASSEMBLY (RAS-10,13,16SKVR-E)
204	43T70313	DRAIN HOSE	222	43T80318	AIR FILTER (R)
205	43T20325	CROSS FLOW FAN ASSEMBLY	223	43T80319	AIR FILTER (L)
206	43T11301	PIPE SHIELD (RAS-13SKV-E, 10,13SKVR-E)	224	43T09410	GRILLE OF AIR INLET (ORIGINAL,WHITE) (RAS-13,16SKV-E)
206	43T11320	PIPE SHIELD (RAS-16SKV-E, SKVR-E)	224	43T09411	GRILLE OF AIR INLET (ORIGINAL,SILVET) (RAS-10,13,16SKVR-E)
207	43T83003	REMOTE CONTROL HOLDER	224	43T09418	GRILLE OF AIR INLET (ORIGINAL,WHITE) (RAS-10,13,16SKVR-E)
208	43T60382	MOTOR CORD	224	43T09420	GRILLE OF AIR INLET (OPTIONAL,SILVER) (RAS-13,16SKV-E)
209	43T82310	INSTALLATION PLATE	225	43T80320	HIGH VOLTAGE POWER SUPPLY UNIT ASSEMBLY (RAS-10,13,16SKVR-E)
210	43T69499	ELECTRICAL PURIFIER UNIT (RAS-10,13,16SKVR-E)	226	43T62328	TERMINAL COVER
211	43T19333	SENSOR FIX PLATE	227	43T69615	WIRELESS REMOTE CONTROL (RAS-13,16SKV-E)
212	43T09408	PIPE HOLDER	227	43T69640	WIRELESS REMOTE CONTROL (RAS-10,13,16SKVR-E)
213	43T03360	BACK BODY ASSEMBLY (RAS-13,16SKV-E)			
213	43T03361	BACK BODY ASSEMBLY (RAS-10,13,16SKVR-E)			
214	43T39327	BEARING BASE			
215	43T39328	MOTOR BAND (LEFT)			
216	43T39329	MOTOR BAND (RIGHT)			
217	43T09409	HORIZONTAL LOUVER			

Indoor Unit (2)



Location No.	Part No.	Description	Location No.	Part No.	Description
401	43T69319	TEMPERATURE SENSOR	406	43T69651	PC BOARD (FOR 16SKV-E)
402	43T60002	TERMINAL BLOCK; 3P	406	43T69652	PC BOARD (FOR 16SKVR-E)
403	43T50318	TEMPERATURE SENSOR	406	43T69653	PC BOARD (FOR 13SKV-E)
404	43T62003	CORD CLAMP	406	43T69654	PC BOARD (FOR 10SKVR-E)
405	43T69650	PC BOARD ASSY,WRS-LED (FOR 13,16SKV-E)	406	43T69655	PC BOARD (FOR 13SKVR-E)
405	43T69650	PC BOARD ASSY,WRS-LED (FOR 10,13,16SKVR-E)			