

INTRODUCTION	2
1. WARNINGS AND WARRANTY CONDITIONS	3
1.1. SAFETY WARNINGS	3
1.2. GUARANTEE CONDITIONS	3
1.2.1. Exclusions.....	3
2. PASSE-PARTOUT CLADDING WITH FIREPLACE STOVES FPURO65/FPURO75/FPURO95/FPURO115.....	5
3. ASSEMBLY OF PASSE-PARTOUT CLADDING.....	6
3.1. COMPONENTS PASSE-PARTOUT CLADDING FPURO65/FPURO75/FPURO95/FPURO115	6
3.2. PHASE 1 – REMOVING EDGE-COVER PROFILE FORMA PURO	7
3.3. PHASE 2 – INSTALLATION OF PASSE-PARTOUT CLADDING FPURO65/FPURO75/FPURO95/FPURO115..	7
3.4. PHASE 3 – WALL FOR RECESSED INSTALLATION	9
3.5. TECHNICAL TERMS GLOSSARY OF THE PICTURES	15

INTRODUCTION

Dear Customer,

thank you for choosing a MCZ product and in particular the Passe-partout (Forma Puro65, Forma Puro75, Forma Puro95, Forma Puro B95, Forma Puro115 versions) claddings Forma Puro (FP) range.

We are sure that, by using it, you will appreciate the quality of an accurately designed and tested product. Our goal is to combine technology with easy of use and, above all, safety.

For optimal functioning of the Passe-partout claddings and to fully enjoy the heat and sense of well being that will spread throughout your home, we suggest that you carefully read this use and maintenance manual before using the product for the first time; please contact your dealer should you require assistance in resolving any doubts or problems.

Congratulations on your choice and remember, the fireplace stove **MUST NEVER** be used by children who should always be kept at a safe distance!

Revisions to the publication

In order to improve the product, the Manufacturer reserves the right to modify and update this publication without prior notice.

Reproduction, even partial, of this manual without the Manufacturer's authorisation is prohibited.

Manual preservation.

- Please take care of this manual and keep it in a place that can be quickly and easily reached.
- If this manual should be lost or destroyed, or if it is in poor condition, request a copy from your dealer or directly from the manufacturer, providing product identification data.

1. WARNINGS AND WARRANTY CONDITIONS

1.1. SAFETY WARNINGS



- Check the conditions of the surface that will support the weight of the stove. If it is made of flammable material (such as wood, carpet, or plastic) provide suitable insulation.
- The user is fully liable for improper product use, releasing MCZ from any civil or penal liabilities.
- Any tampering with the fireplace stove, or use of non-original spare parts, may be hazardous to the user and releases MCZ from any civil or penal liability.
- Incorrect installation or poor maintenance (not compliant with the provisions of this manual) may cause damages to persons, animals or property. MCZ is not civilly or criminally liable in these cases.

1.2. GUARANTEE CONDITIONS

MCZ guarantees the product, **with the exception for the elements subject to normal wear** listed below, for two years from the date of purchase that is proven by a document that indicates the dealer's name and date of sale, if the completed warranty certificate was returned within 8 days and if the product was installed and inspected by a specialised installation technician and according to the detailed instructions indicated in the instruction manual supplied with the product.

The warranty includes the free replacement or repair of **parts recognised as factory defective**.

1.2.1. Exclusions

The guarantee does not cover any part that may be defective due to negligence or careless use, incorrect maintenance, installation non compliant with that specified by MCZ.

MCZ refuses to accept any responsibility for any damage which may be caused, directly or indirectly, by persons, animals or things as a result of the failure to observe all the provisions set forth in the instruction booklet, especially those concerning warnings on the subject of installation, use and maintenance of the appliance.

In the event of product inefficiency, please contact your dealer and/or area importer.

Damages caused by transport and handling are not covered by the guarantee.

Exclusively refer to the supplied manual for product installation and use.

The guarantee will be invalidated in the event of damage caused by tampering with the appliance, atmospheric agents, natural disasters,

electrical discharges, fire and lack of, or incorrect, maintenance in terms of the manufacturer's instructions.

**REQUEST FOR SERVICE**

Requests for service must be addressed to the dealer who shall forward the request to the MCZ technical assistance service.

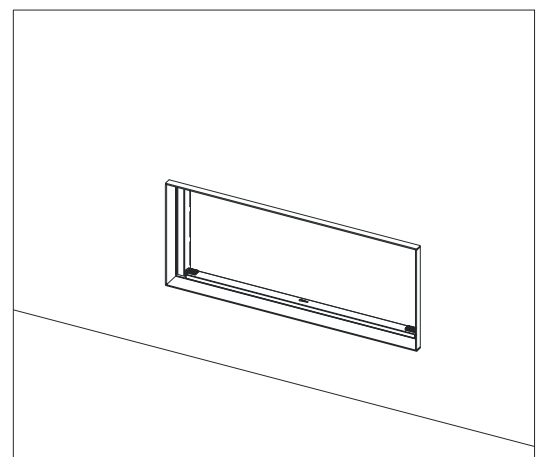
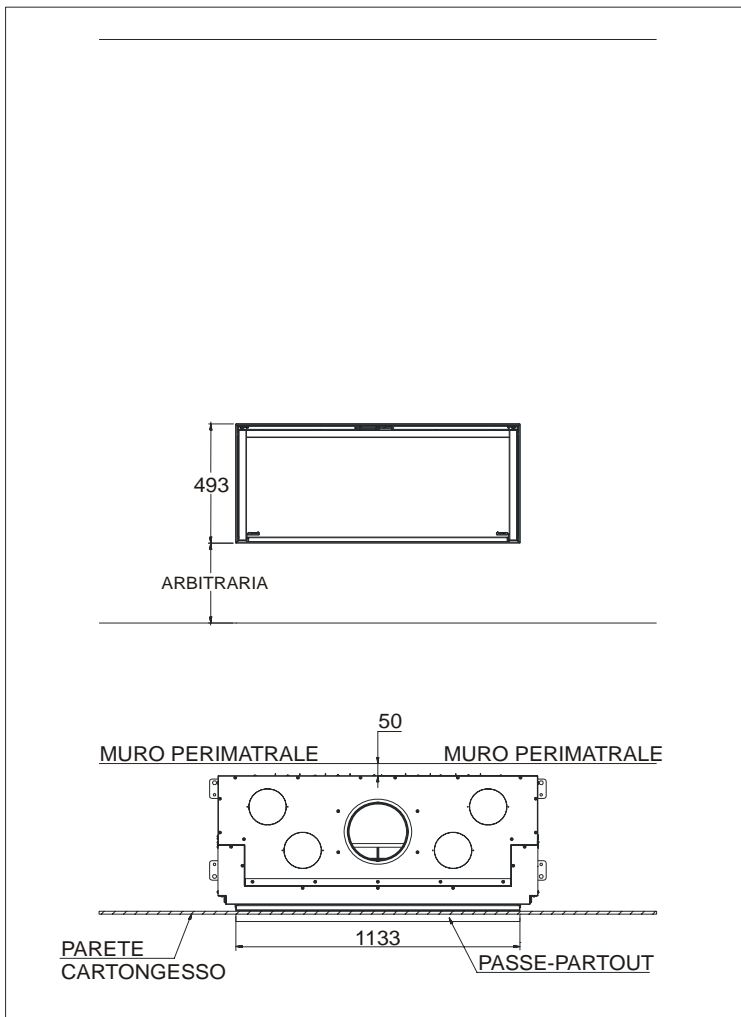


MCZ is not liable in the event the product and any other accessory is improperly used or modified without authorisation.

Only original MCZ spare parts must be used for all replacements.

2. PASSE-PARTOUT CLADDING WITH FIREPLACE STOVES FPURO65/FPURO75/FPURO95/FPURO115

The Passe-partout cladding model is a recessed cladding, i.e. the fireplace stove is recessed into the wall. Therefore it is necessary to build a counter-wall that protrudes from the perimeter wall. The depth of the wall to be constructed is at your discretion provided you comply with all safety distances for the fireplace stove. For this purpose please refer to the *Manual for Installation and Use of Forma Puro* (FP65, FP75, FP95, FP115). The Passe-Partout cladding is quick and easy to assemble. It is attached directly to the fireplace stove Forma Puro. It does not require any work during installation except for the wall for recessed installation of the unit.



PASSE-PARTOUT CLADDING FORMA PURO115
W=1133 MM H=493 MM

PASSE-PARTOUT CLADDING FORMA PURO95
W= 913 MM H=493 MM

PASSE-PARTOUT CLADDING FORMA PURO75
W=703 MM H=635 MM

PASSE-PARTOUT CLADDING FORMA PURO65
W=623 MM H=597 MM


3. ASSEMBLY OF PASSE-PARTOUT CLADDING

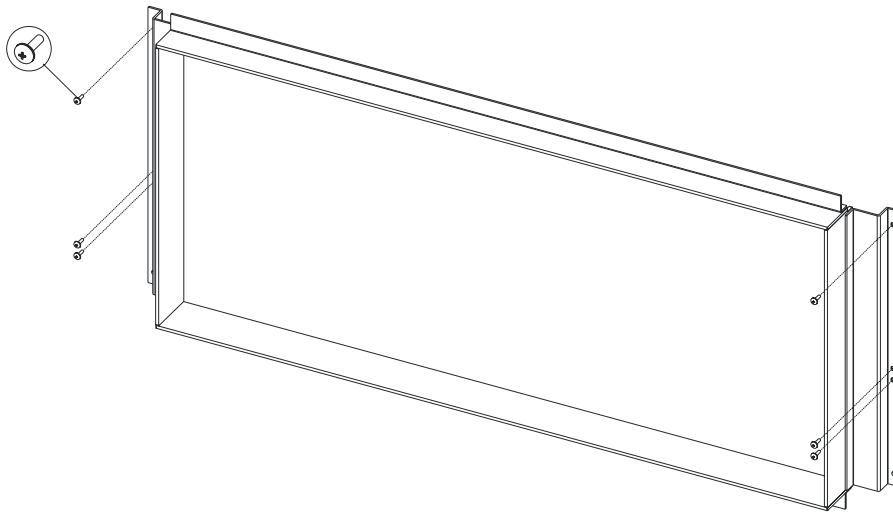
3.1. COMPONENTS

PASSE-PARTOUT

CLADDING

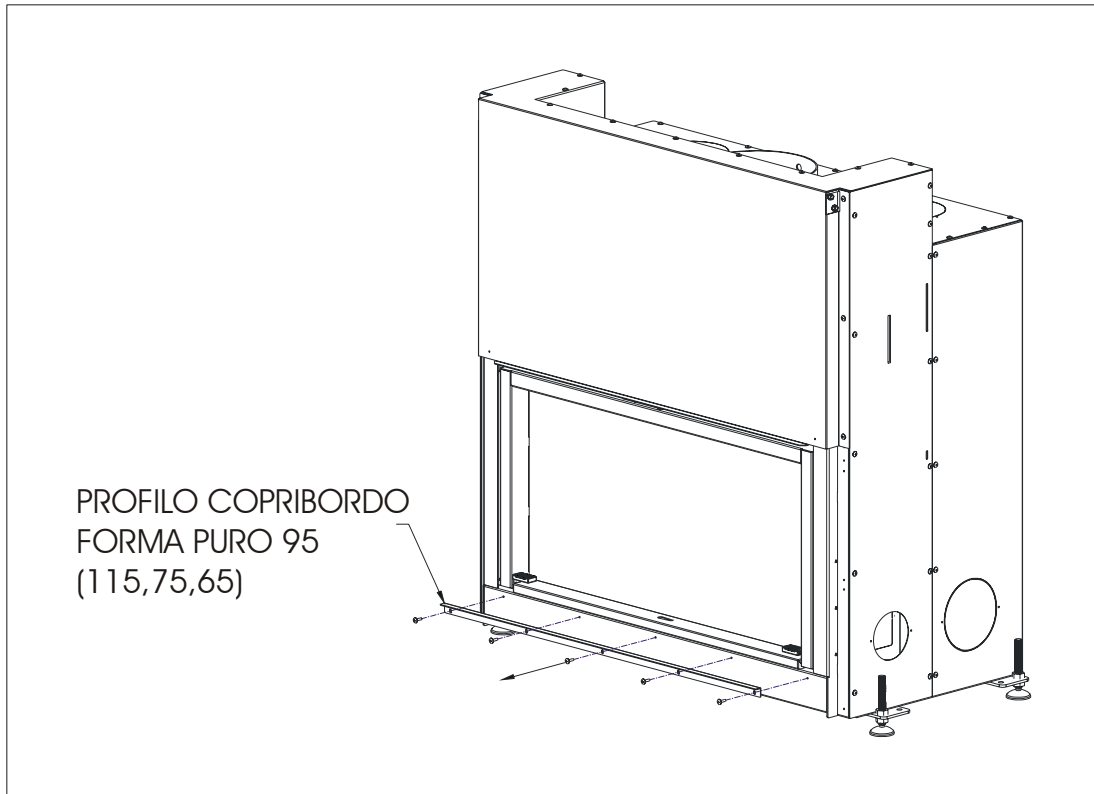
FPURO65/FPURO75/FPURO95/FPURO115

	COMPONENTE	N°		VITERIA IN DOTAZIONE	N°
1	CORNICE PASSE-PARTOUT	1		VITE AUTOPERFORANTE 4.2X16	4-6



3.2. PHASE 1 – REMOVING EDGE-COVER PROFILE FORMA PURO

Before assembling the Passe-Partout frame, you must remove the edge-cover frame of the unit Forma Puro (65/75/95/115) as in the figure.



3.3. PHASE 2 – INSTALLATION OF PASSE-PARTOUT CLADDING FPURO65/FPURO75/FPURO95/FPURO115

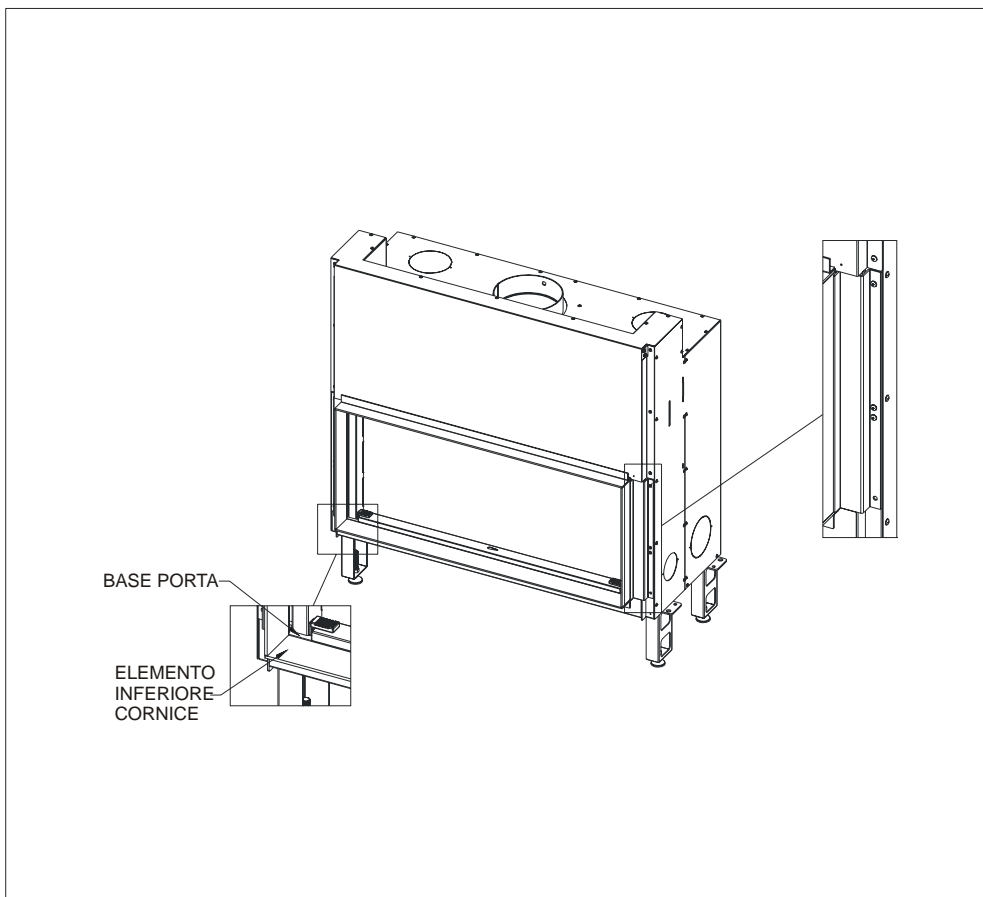
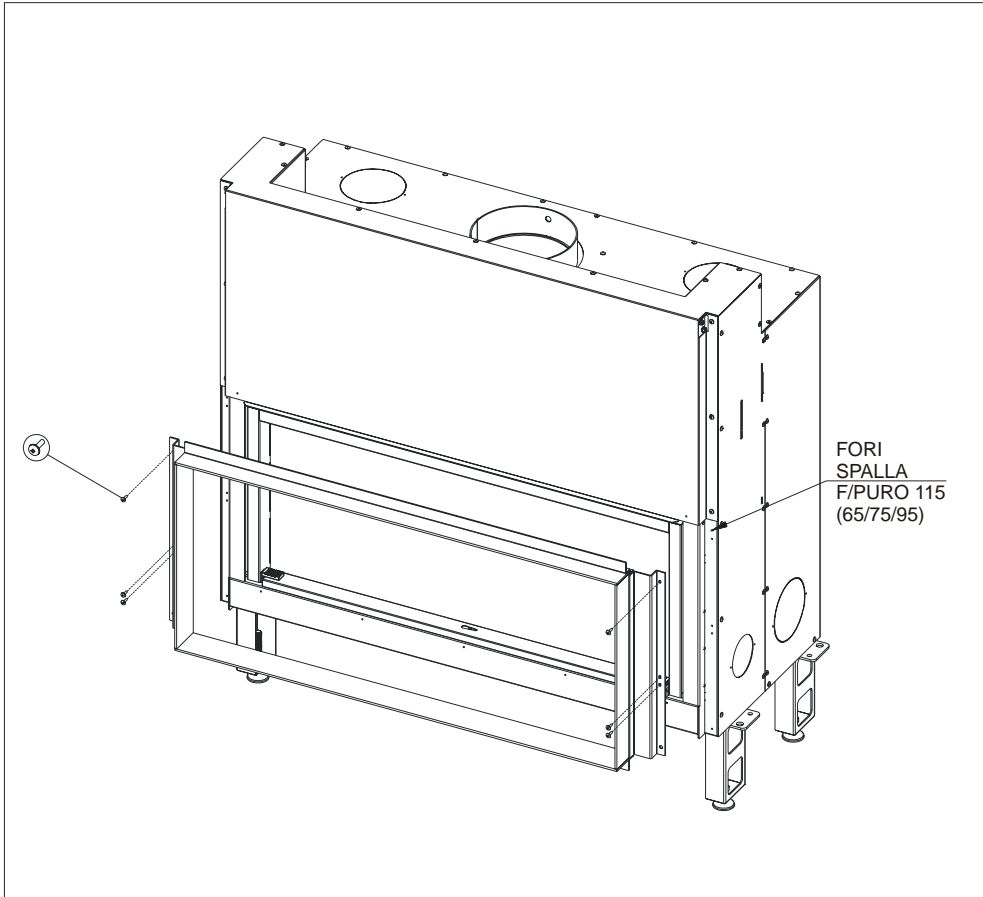
Assembly of the Passe-partout cladding can be performed either before or after installation of the fireplace stove (Forma Puro) and the connection to the flue pipe. In fact, the Passe-partout is fastened to the unit and remains attached to it.

It is however advisable to install the fireplace stove in accordance with the instructions in the respective *Manual for Installation and Use* and run a quick test for proper operation. If the test is successful you can assemble the cladding. In this way you can avoid scratches, which easily occur when handling and checking the unit.

Instead, it is essential for assembly of the Passe-partout cladding to take place before installation of the wall with which the fireplace stove is recessed.

Position the Passe-partout cladding so that it is centred on the axis of the fireplace stove. Adjust the height so that the lower element of the frame is flush with the base of the door. Use the slots in the sides of the Passe-partout, which allow further adjustment to centre the holes on the side of the FP115 (FP95/FP75/FP65)).

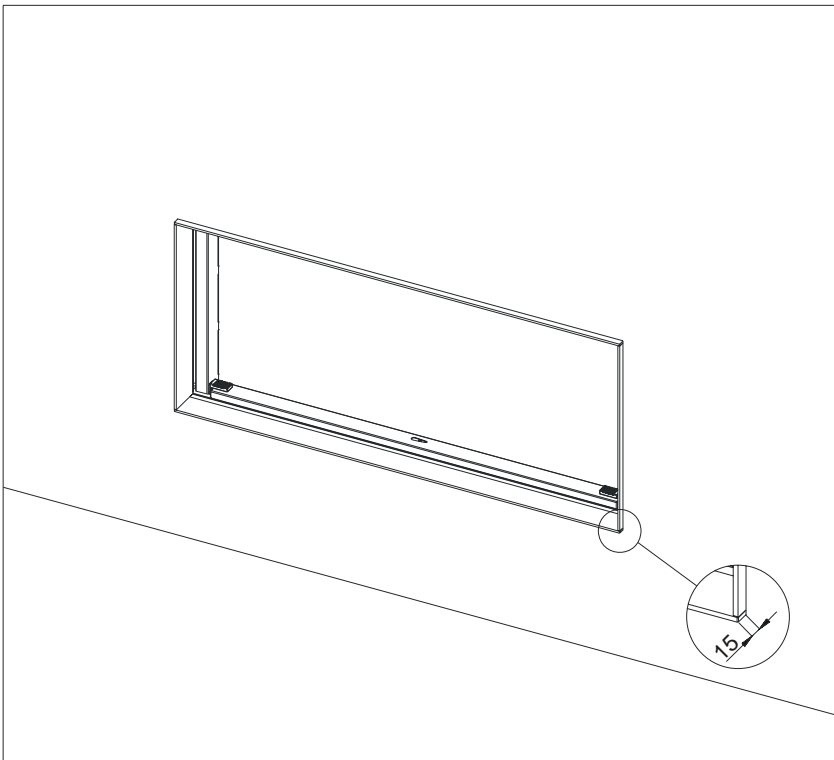
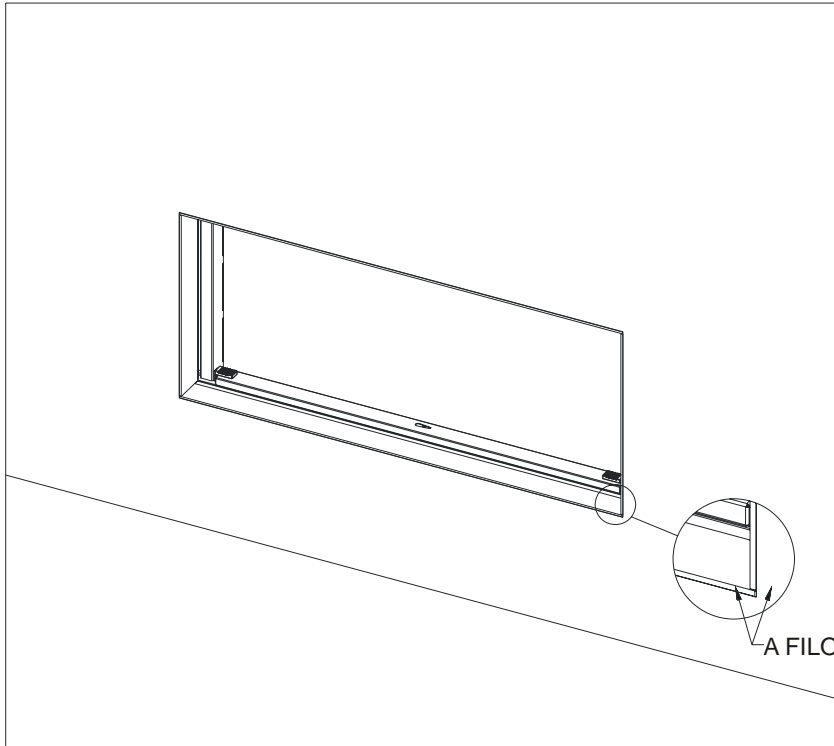
Fasten the cladding to the unit using the screws provided. When assembly is complete, the Passe-partout must close perfectly with the fire box mouth of the fireplace stove, and it must be a rigid structure fastened to the unit.

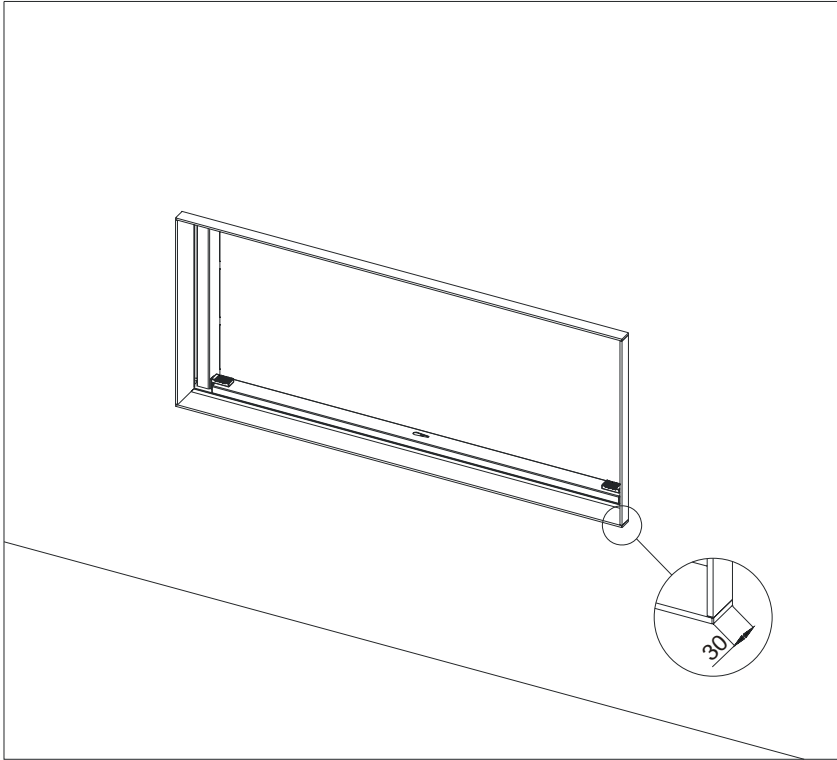


3.4. PHASE 3 – WALL FOR RECESSED INSTALLATION

When assembly is complete of the Passe-partout cladding, you can begin installation of the wall for recessed insertion, composed of fireproof material such as fireproof plasterboard.

The position of the wall with respect to the Passe-partout is at your discretion. In fact, you can vary its protuberance with respect to the external profile of the cladding from 0 to about 30 mm (if the wall is made with panels of plasterboard th. 12 mm).

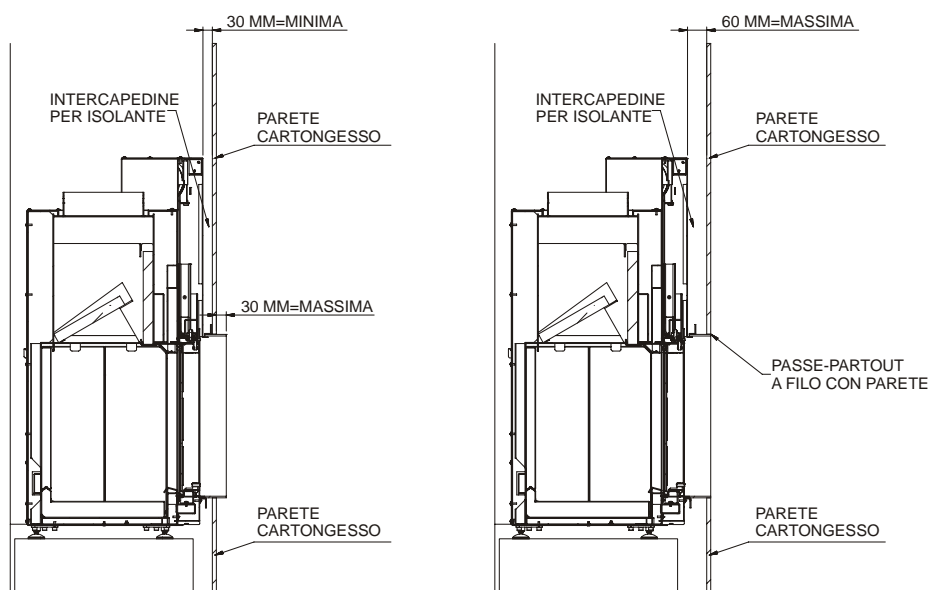
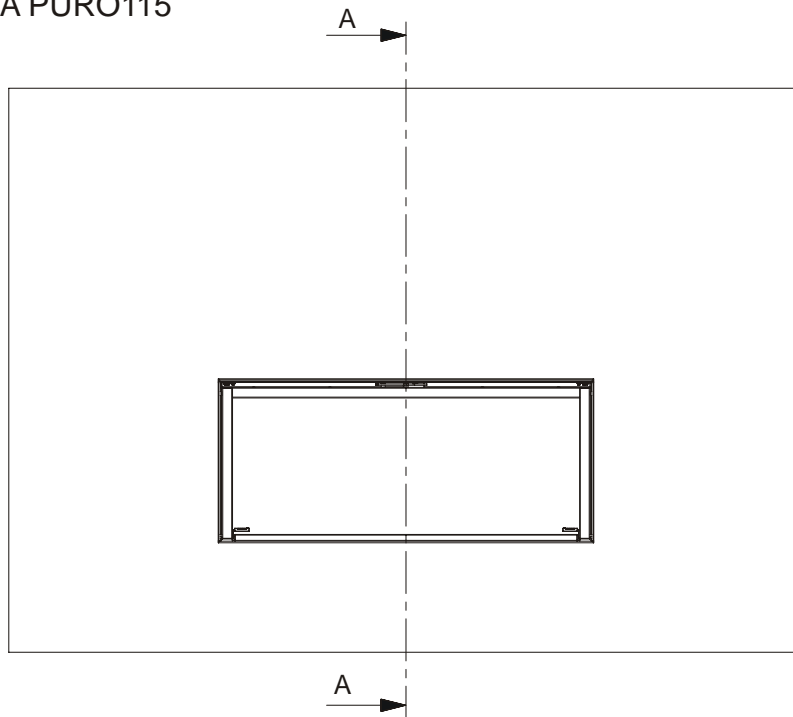




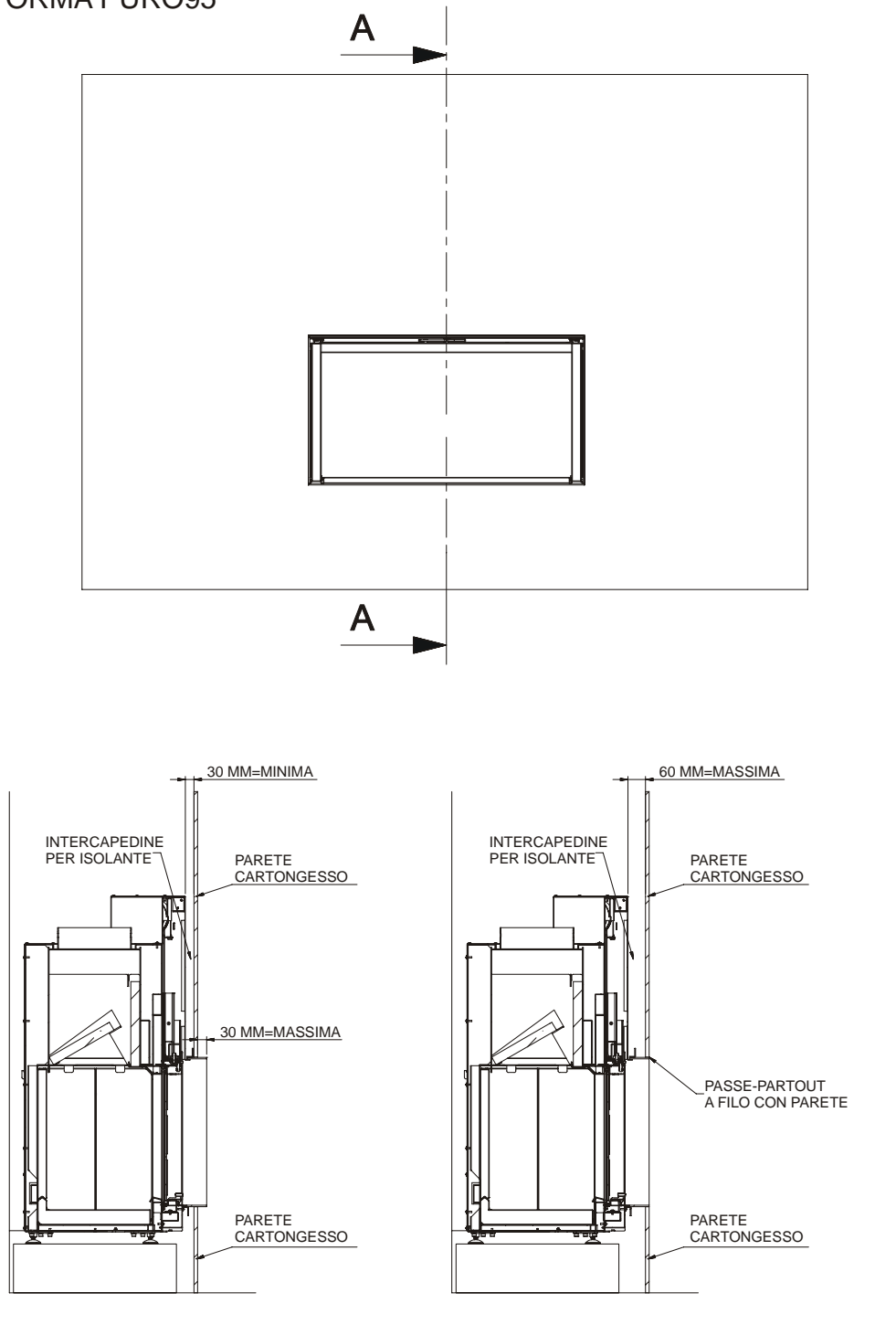
A protuberance of 0 mm means that the outer profile of the Passe-partout is flush with the wall for recessed installation;

a protuberance of 30 mm (for plasterboard walls th.12 mm) is the maximum limit that ensures an air space between the wall and the fireplace stove, useful for housing insulating material such as a rigid insulating panel or a ceramic fibre mat, to protect the plasterboard.

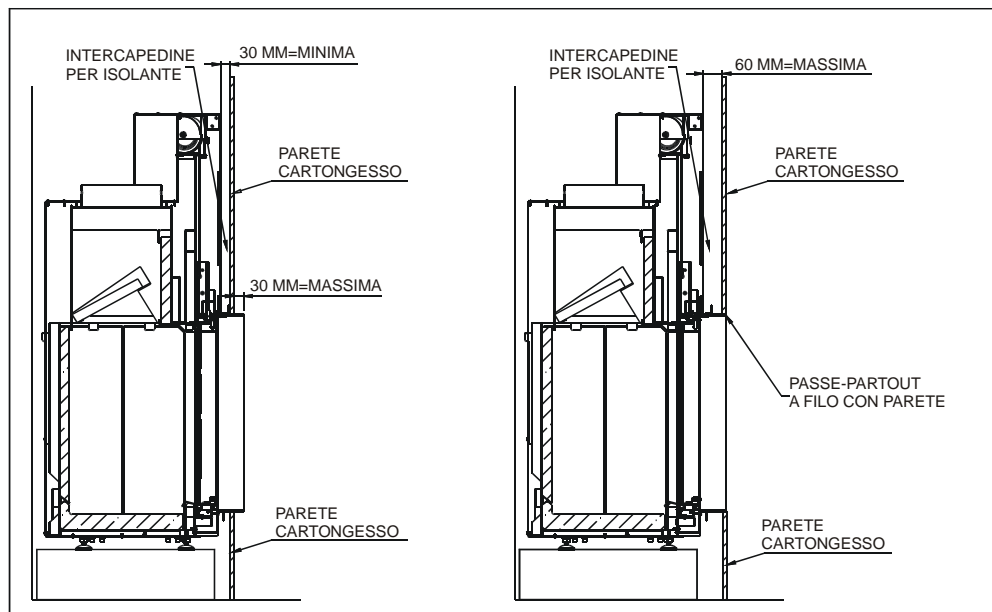
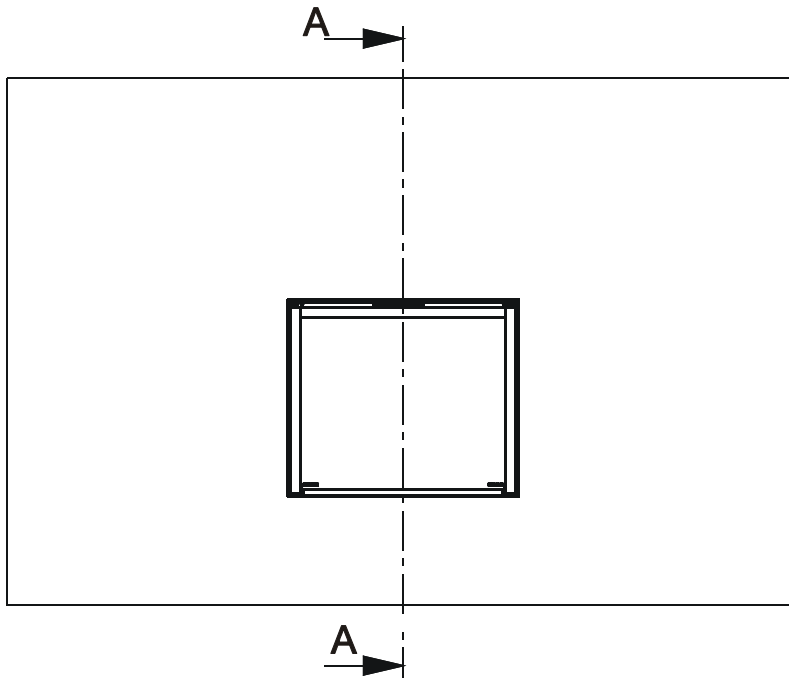
FORMA PURO115



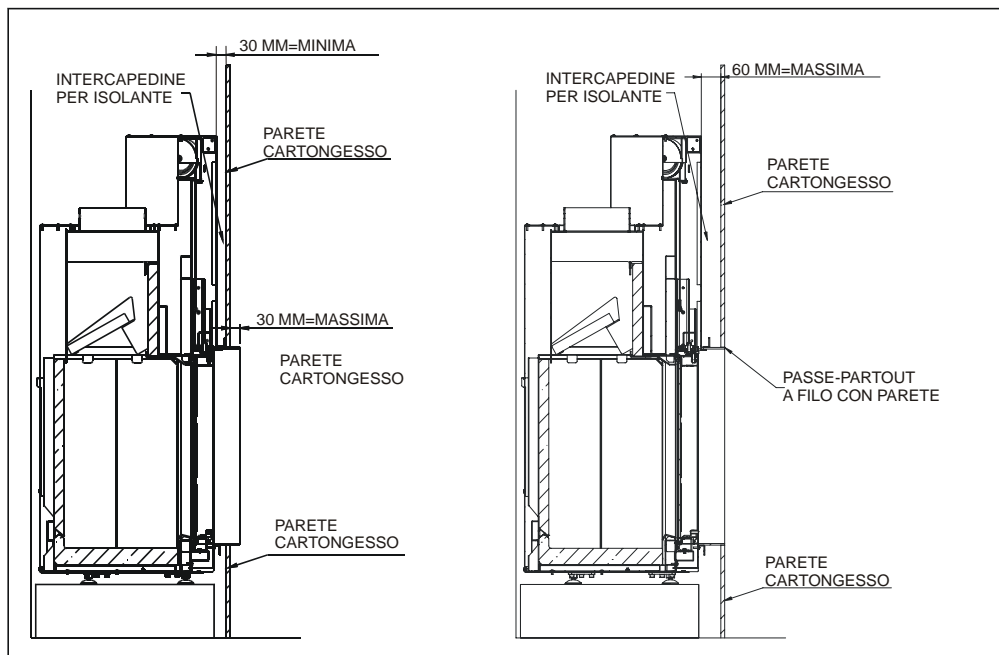
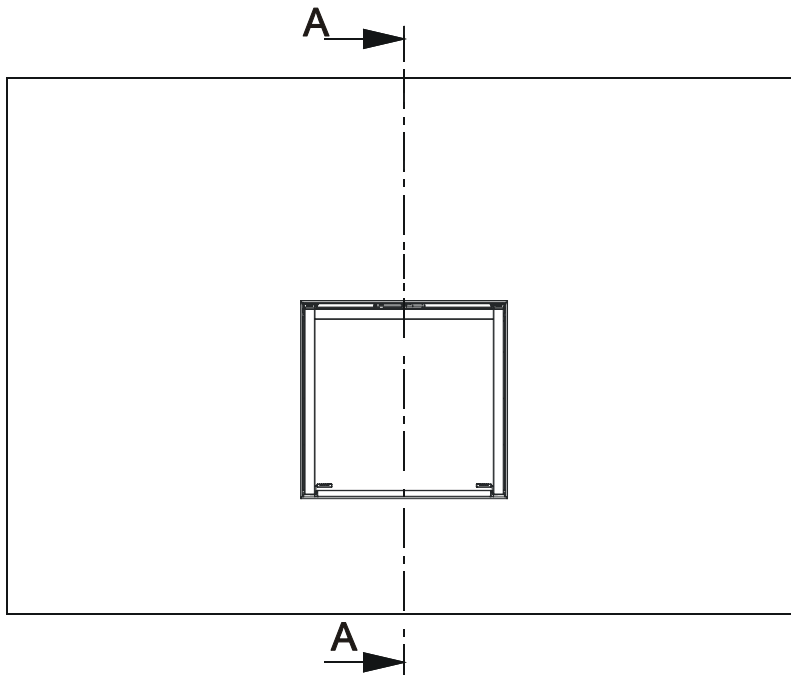
FORMA PURO95



FORMA PURO75



FORMA PURO65



3.5. TECHNICAL TERMS GLOSSARY OF THE PICTURES

PAGE 5

MURO PERIMETRALE
PARETE CARTONGESSO
ARBITRARIA

PAGE 6

COMPONENTE
CORNICE PASSE-PARTOUT
VITERIA IN DOTAZIONE
VITE AUTOPERFORANTE PANEL 4,2X16

PAGE 7

PROFILO COPRIBORDO FORMA PURO 95
(115,75,65)

PAGE 8

FORI SPALLA FORMA PURO115(65,75,95)
BASE PORTA
ELEMENTO INFERIORE CORNICE

PAGE 9

A FILO

PAGE 11/12/13/14

INTERCAPEDINE PER ISOLANTE
PARETE CARTONGESSO
30MM=MASSIMA
30MM=MINIMA
PASSE-PARTOUT A FILO CON PARETE

PAGE 5

PERIMETER WALL
WALL FOR RECESSED INSERTION
OPTIONAL

PAGE 6

COMPONENT
PASSE-PARTOUT FRAME
NUTS AND BOLTS PROVIDED
PANEL SELF-TAPPING SCREW 4.2X16

PAGE 7

EDGE-COVER PROFILE FORMA PURO 95
(115,75,65)

PAGE 8

SIDE HOLES FORMA PURO 115 (65,75,95)
DOOR BASE
FRAME LOWER ELEMENT

PAGE 9

FLUSH

PAGE 11/12/13/14

AIR SPACE FOR INSULATION
WALL FOR RECESSED INSERTION
30 MM= MAXIMUM
30 MM =MINIMUM
PASSE-PARTOUT FLUSH WITH WALL