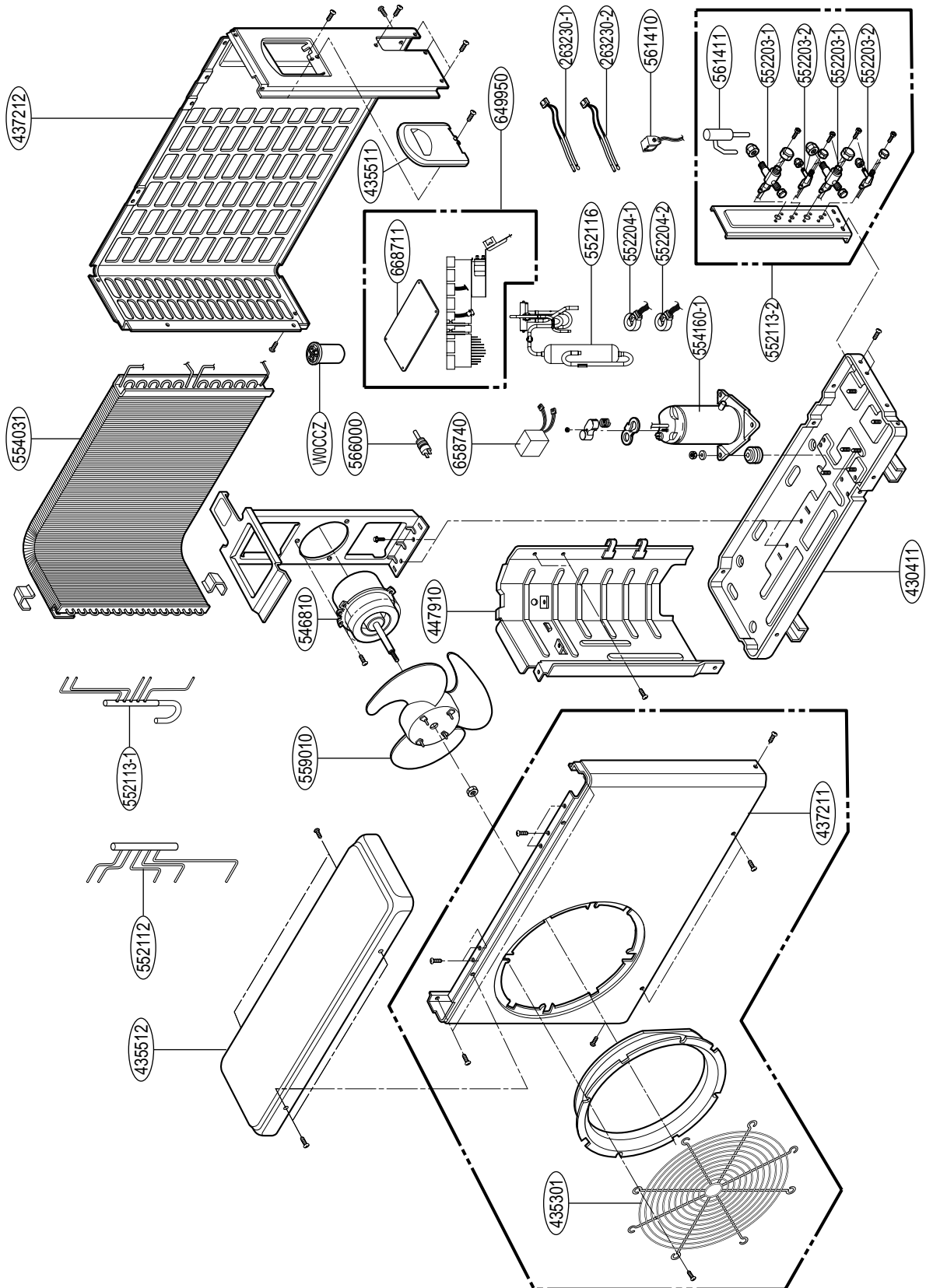
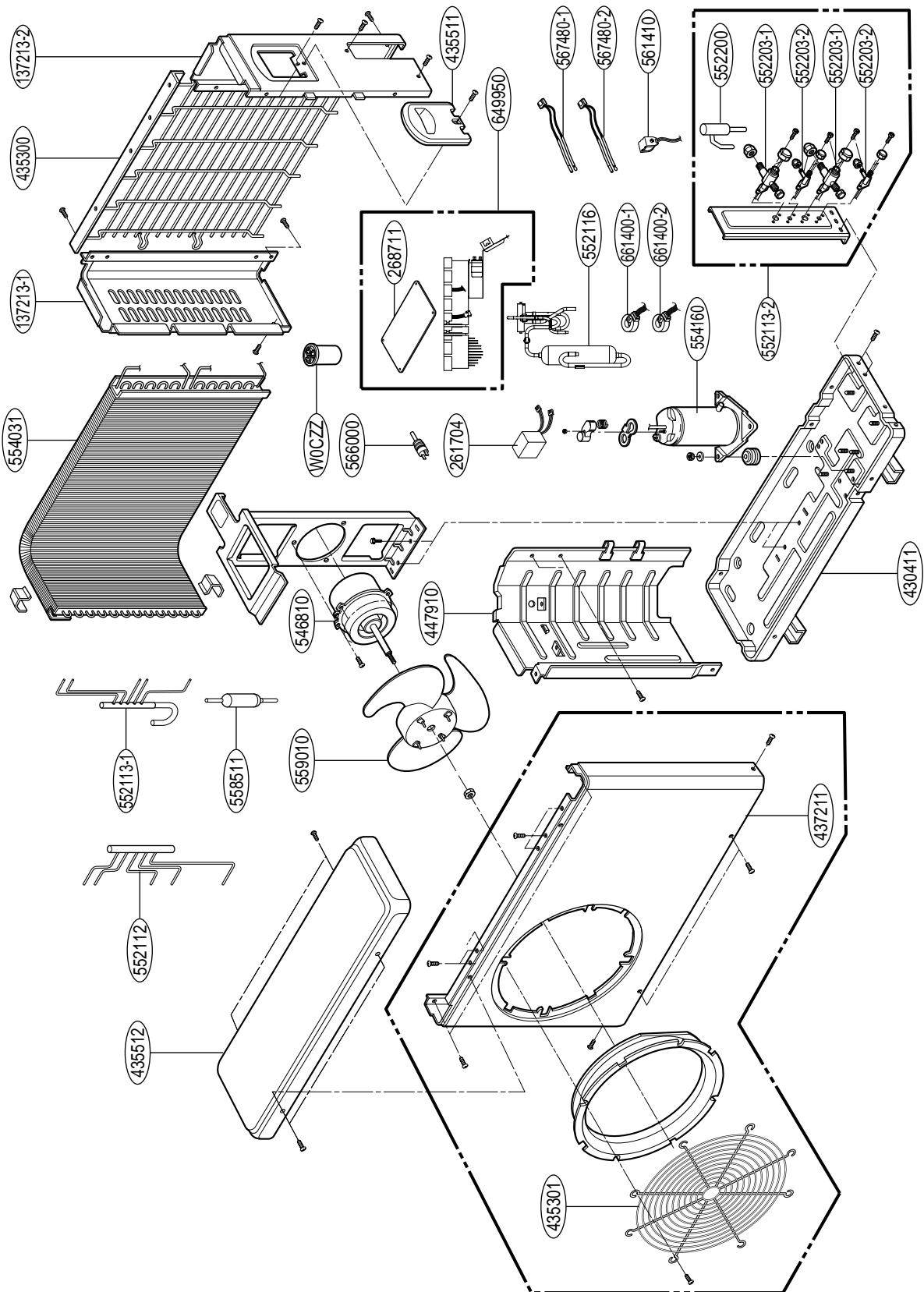


A2UW146FA0, A3UW186FA1



A2UW146FA1, A2UW186FA0, A3UW186FA0



Parts List(Single compressor inverter)

Location No.	Description	Part No.			SVC CODE
		A2UW146FA2	A2UW166FA0	A2UW166FA1	
567480-1	THERMISTOR ASSEMBLY	6323A20037A	6323A20037A	6323A20037A	R
567480-2	THERMISTOR ASSEMBLY	6323A20037B	6323A20037B	6323A20037B	R
430410	BASE ASSEMBLY,OUTDOOR	3041A20066A	3041A20066A	3041A20066A	R
435301	GRILLE,DISCHARGE	3530A20006G	3530A20006G	3530A20006G	R
435511	COVER ASSEMBLY,CONTROL(OUTDOOR)	3551A30115G	3551A30115G	3551A30115G	R
437211	PANEL ASSEMBLY,FRONT(OUTDOOR)	3721A20027Q	3721A20027Q	3721A20027Q	R
437212	PANEL ASSEMBLY,REAR(OUTDOOR)	3721A20026Y	3721A20026Y	3721A20026Y	R
447910	BARRIER ASSEMBLY,OUTDOOR	4791A30002G	4791A30002G	4791A30002G	R
546810	MOTOR ASSEMBLY,OUTDOOR	4681A20170A	4681A20170A	4681A20170A	R
552112	TUBE ASSEMBLY,CONDENSER IN	5211A23331A	5211A23331A	5211A23331A	R
552113-1	TUBE ASSEMBLY,CONDENSER OUT	5211A23336A	5211A23332A	5211A23336A	R
552113-2	TUBE ASSEMBLY,CONDENSER OUT	5211A23337A	5211A20927D	5211A23337A	R
552116	TUBE ASSEMBLY,REVERSING	5211A23335A	5211A23330A	5211A23335B	R
552203-1	VALVE,SERVICE	5220A20001K	5220A20001K	5220A20001K	R
552203-2	VALVE,SERVICE	2H02479J	2H02479J	2H02479J	R
552204-1	HARNESS	6877A20050N	6877A20050N	6877A20050N	R
552204-2	HARNESS	6877A20050P	6877A20050P	6877A20050P	R
554031	CONDENSER ASSEMBLY,BENT	5403A20221A	5403A20221A	5403A20221A	R
554160	COMPRESSOR SET	5416A90029A	2520UGHN2AC	5416A90015A	R
558511	DRIER ASSEMBLY	5851A20003J	-	5851A20003J	R
559010	FAN ASSEMBLY,PROPELLER	5901A10033A	5901A10033A	5901A10033A	R
561410	COIL ASSEMBLY,REVERSING VALVE	6141AR3509L	6141AR3509L	6141AR3509L	R
552200	COIL ASSEMBLY,EXPANSION	6140A90001K	6140A90001K	6140A90001K	R
649950	CONTROL BOX ASSEMBLY,OUTDOOR	4995A21016B	4995A21016A	4995A21016C	R
658740	REACTOR	5874A90003A	5874A90003A	5874A90003A	R
668711	PWB(PCB) ASSEMBLY,MAIN(OUTDOOR)	6871A10334A	6871A10225A	6871A10334B	R
668713	PWB(PCB) ASSEMBLY, SUB (CENTRAL CONTROL)	6871A20484A	6871A20484A	6871A20484A	OPTION
W0CZZ	CAPACITOR,DRAWING	3A02157A	3A02157A	3A02157A	R

NOTE) 35211* is for pipe fitting the SVC valve.

Outdoor Unit Parts List (Single compressor inverter)

LOCATION No.	DESCRIPTION	PART No.					SVC CODE
		A2UW146FA0	A2UW146FA1	A2UW186FA0	A3UW186FA0	A3UW186FA1	
137213-1	PANEL ASSEMBLY, SIDE	-	1A00201D	1A00201D	1A00201D	-	R
137213-2	PANEL ASSEMBLY, SIDE	-	3A02284M	3A02284M	3A02284M	-	R
567480-1	THERMISTOR ASSEMBLY (ROOM, OUT)	6323A20020F	6323A20020F	6323A20037A	6323A20037A	6323A20020F	R
567480-2	THERMISTOR ASSEMBLY (DISCHARGE, SUCTION)	6323A20020G	6323A20020G	6323A20037B	6323A20037B	6323A20020G	R
430411	BASE ASSEMBLY, WELD[OUTDOOR]	3041A20022Q	3041A20022Q	3041A20022Q	3041A20022Q	3041A11002B	R
435301	GRILLE, DISCHARGE	3530A20007B	3530A20007J	3530A20007B	3530A20007B	3530A20007B	R
435511	COVER ASSEMBLY, CONTROL(OUTDOOR)	3A01919B	3A01919B	3A01919B	3A01919B	3A01919B	R
435512	COVER ASSEMBLY, TOP(OUTDOOR)	3H03266K	3H03266L	3H03266L	3H03266L	3H03266K	R
437211	PANEL ASSY, FRONT (OUTDOOR)	3721A20005P	3721A20004L	3721A23001A	3721A23001A	3721A30011G	R
437212	PANEL ASSEMBY, REAR	3720AP0003F	-	-	-	3720AP0003F	R
435300	GRILLE, REAR	-	1A00207B	1A00207B	1A00207B	-	R
447910	BARRIER ASSEMBLY, OUTDOOR	3H03307L	3H03307L	3H03307L	3H03307L	3H03307N	R
546810	MOTOR ASSEMBLY, OUTDOOR	4681A20028J	4681A20028S	4681A20028J	4681A20028J	4681A20028J	R
548490	ACCUMULATOR ASSEMBLY	-	-	-	-	4849A20012E	R
552112	TUBE ASSEMBLY, CONDENSER IN	5211A24019A	5211A30298A	5211A30298A	5211A30298A	5211A21423A	R
552113-1	TUBE ASSEMBLY, CONDENSER OUT	5211A24018A	5211A30297Z	5211A23320A	5211A23320A	5211A21424A	R
552113-2	TUBE ASSEMBLY, COND OUT (SUPPORTER)	-	5211A20927A	5211A20927A	5211A21155C	5211A21155E	R
552200	VALVE, EXPANSION BODY	5220A90010A	-	-	-	-	R
552203-1	VALVE, SERVICE (Ø9.52)	5220A20001K	5220A20001K	5220A20001K	5220A20001K	5220A20001K	R
552203-2	VALVE, SERVICE (Ø6.35)	2A02479R	2A00468J	2H02479J	2H02479J	2H02479J	R
552204-1	COIL ASSEMBLY, EXPANSION (A)	6141A20018K	6877A20050A	6877A20050A	6877A20050A	6877A20050A	R
552204-2	COIL ASSEMBLY, EXPANSION(B)	6141A20018L	6877A20050B	6877A20050B	6877A20050B	6877A20050B	R
552204-3	COIL ASSEMBLY, EXPANSION (C)	-	-	-	6877A20050K	6877A20050K	R
552116	TUBE ASSEMBLY, REVERSING	5211A20493Q	5211A20493U	5211A20493H	5211A20493R	5211A21422A	R
554031	CONDENSER ASSEMBLY, BENT	5403A10013J	5403A20072N	5403A20072N	5403A20072N	5403A20072Y	R
554160	COMPRESSOR	5416A90008A	5416A90029A	5416A90015A	5416A90015A	2520UGHN2AC	R
558511	DRIER ASSEMBLY	-	5851A30004A	5851A20003J	5851A20003J	-	R
559010	FAN ASSEMBLY, PROPELLER	5901A10032A	5901A10032A	5901A10032A	5901A10032A	5901A10032A	R
561410	COIL ASSEMBLY, REVERSING VALVE	6141AR3509L	6141AR3509L	6141AR3509L	6141AR3509L	6141AR3509L	R
561411	COIL ASSEMBLY, EXPANSION	6140A90001F	6140A90001K	6140A90001K	6140A90001K	6140A90001K	R
566000	SWITCH, PRESSURE (LOW PRESSURE)	-	-	3A02524F	3A02524F	-	R
649950	CONTROL BOX ASSEMBLY, OUTDOOR	4995A10101H	4995A10101M	4995A10101A	4995A10101J	4995A10101T	R
658740	REACTOR	5874A90003E	5874A90003A	5874A90003E	5874A90003E	5874A90003E	R
668711	PWB(PCB) ASSEMBLY, MAIN(OUTDOOR)	6871A10117K	6871A10182Y	6871A10117B	6871A10117L	6871A10196B	R
668713	PWB(PCB) ASSEMBLY, SUB (CENTRAL CONTROL)	6871A20484A	6871A20484A	-	-	-	OPTION
W0CZZ	CAPACITOR, DRAWING	2A00986D	2A00986D	2A00986D	2A00986D	2A00986D	R
W49810	SUPPORT ASSEMBLY	498110019B	-	-	-	-	R