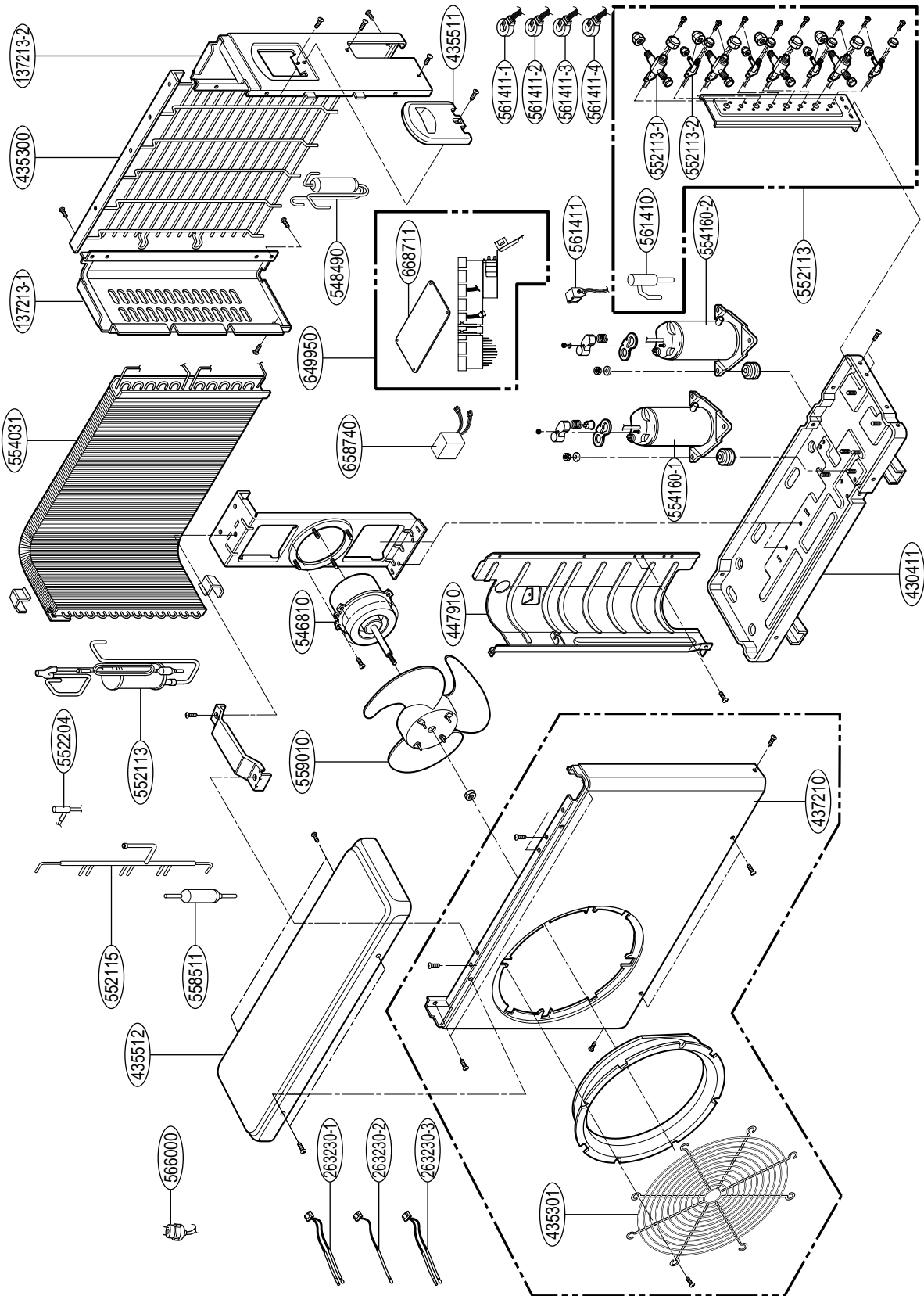


A3UW246FA0, A4UW246FA0



Parts List (A3UW246FA0, A4UW246FA0 - TPS Inverter)

Location No.	Description	Part No.		SVC CODE
		A3UW246FA0	A4UW246FA0	
137213-1	PANEL ASSEMBLY, SIDE	1A00202F	1A00202F	R
137213-2	PANEL ASSEMBLY, SIDE	3A02284R	3A02284T	R
263230-1	THERMISTOR ASSEMBY (INV DISCHARGE, SUCTION)	6323A20030G	6323A20030G	R
263230-2	THERMISTOR ASSEMBLY (CONST DISCHARGE)	6323A20001J	6323A20001J	R
263230-3	THERMISTOR, ASSEMBLY (ROOM, COND OUT)	6323A20020F	6323A20020H	R
352113	TUBE, ASSEMBLY, DISCHARGE	5211A23013A	5211A23013A	R
430410	BASE ASSEMBLY, WELD	3041AP2741H	3041AP2741H	R
435300	GRILLE, REAR	1A00208H	1A00208H	R
435301	GRILLE, DISCHARGE	3530A20007J	3530A20007J	R
435511	COVER ASSEMBLY, CONTROL (OUTDOOR)	3A01919B	3A01919B	R
435512	COVER ASSEMBLY, TOP	3551A30113C	3551A30113C	R
437210	PANEL ASSEMBLY, FRONT SUB	1A00197C	1A00197C	R
447910	BARRIER ASSEMBLY, OUTDOOR	4791A30004M	4791A30004M	R
546810	MOTOR ASSEMBLY, OUTDOOR	4681A20028Y	4681A20028Y	R
548490	ACCUMULATOR ASSEMBLY	4849A22003A	4849A22003A	R
552111	TUBE ASSEMBLY, CAPILLARY	5211A22009A	5211A22009A	R
552113	TUBE ASSEMBLY, CONDENSER OUT	5211A21155B	5211A21155A	R
552115	TUBE ASSEMBLY, MANIFOLD	5211A20895A	5211A20895A	R
552116	TUBE ASSEMBLY, REVERSING	5211A20896A	5211A20896A	R
552203-1	VALVE, SERVICE (Ø9.52)	5220A20001K	5220A20001K	R
552203-2	VALVE, SERVICE (Ø6.35)	2H02479J	2H02479J	R
552204	VALVE, SOLENOID (BODY)	5220A90002C	5220A90002C	R
554031	CONDENSER ASSEMBLY, BENT	5403A20070B	5403A20070B	R
554160	COMPRESSOR (INVERTER)	5416A90015A	5416A90015A	R
554161	COMPRESSOR (CONSTANT)	5416A90016A	5416A90016A	R
558511	DRIER, ASSEMBLY	5851A30004A	5851A30004A	R
559010	FAN ASSEMBLY, PROPELLER	5901A20003J	5901A20003J	R
561410-1	COIL ASSEMBLY, REVERSING VALVE	6877A20052D	6877A20052D	R
561410-2	COIL ASSEMBLY, SOLENOID	6877A20052E	6877A20052E	R
561410-3	COIL ASSEMBLY, SOLENOID	6877A20052F	6877A20052F	R
561410	VALVE, EXPANSION BODY	6140A90001K	6140A90001K	R
561411-1	COIL ASSEMBLY EXPANSION (A)	6877A20050C	6877A20050C	R
561411-2	COIL ASSEMBLY EXPANSION (B)	6877A20050D	6877A20050D	R
561411-3	COIL ASSEMBLY EXPANSION (C)	6877A20050E	6877A20050E	R
561411-4	COIL ASSEMBLY EXPANSION (D)	-	6877A20050L	R
566000	SWITCH, PRESSURE	3A02524F	3A02524F	R
649950	CONTROL BOX ASSEMBLY, OUTDOOR	4995A10101B	4995A10101K	R
658740	REACTOR	5874A90003E	5874A90003E	R
668711	PWB(PCB) ASSEMBLY, MAIN(OUTDOOR)	6871A10117C	6871A10117M	R
552201	VALVE, CHECK	5220A30004A	5220A30004A	R
W0CZZ-1	CAPACITOR, DRAWING (FAN)	2A00986D	2A00986D	R
W0CZZ-2	CAPACITOR, DRAWING (COMP)	2H00841F	2H00841F	R