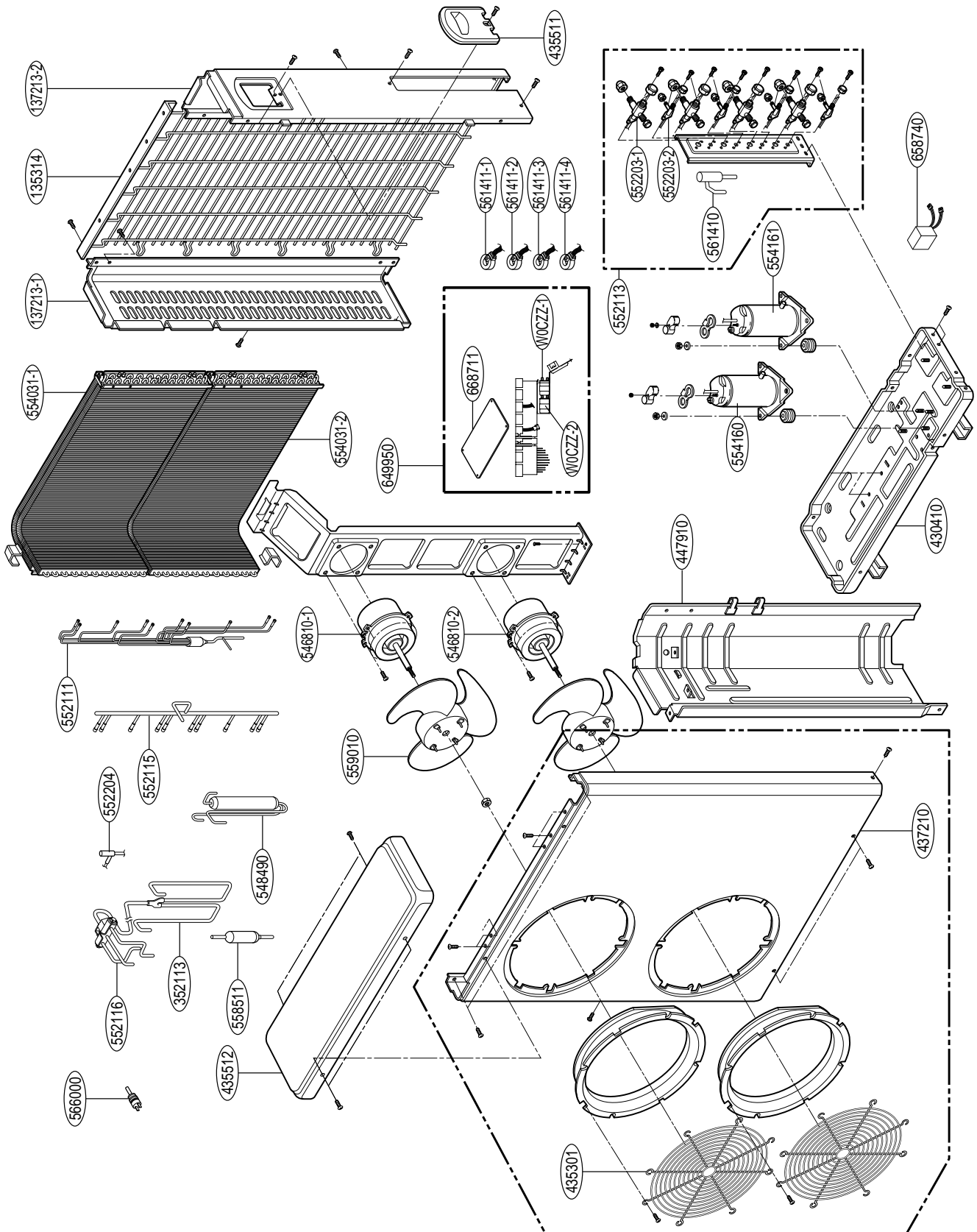


A4UW306FA0



**Parts List (A4UW306FA0 - TPS Inverter)**

Location No.	Description	Part No.	SVC CODE
		A4UW306FA0	
135301	GRILLE,DISCHARGE	3530A20006B	R
137213-1	PANEL ASSEMBLY,SIDE	3721A10110A	R
137213-2	PANEL ASSEMBLY,SIDE	3721A10111A	R
263230-1	THERMISTOR ASSEMBLY (ROOM, COND, OUT)	6323A20020H	R
263230-2	THERMISTOR ASSEMBLY (DISCHARGE, SUCTION)	6323A20020J	R
263230-3	THERMISTOR ASSEMBLY (DISCHARGE, CONST)	6323A20001K	R
352113	TUBE ASSEMBLY, DISCHARGE SINGLE	35211A23013A	R
430410	BASE ASSEMBLY, OUTDOOR	3041AP2741H	R
435300	GRILLE,REAR	3530A10176B	R
435511	COVER ASSEMBLY,CONTROL(OUTDOOR)	3A01919B	R
435512	COVER ASSEMBLY,TOP(OUTDOOR)	3551A30113C	R
437211	PANEL ASSEMBLY,FRONT(OUTDOOR)	3721A10109A	R
447910	BARRIER ASSEMBLY,OUTDOOR	4791A10019A	R
546810-1	MOTOR ASSEMBLY,OUTDOOR	4681AR1392Y	R
546810-2	MOTOR ASSEMBLY, OUTDOOR	4681AR1392Z	R
548490	ACCUMULATOR ASSEMBLY(MECH)	4849A22003A	R
552111	TUBE ASSEMBLY, CAPILLARY	5211A22010A	R
552113	TUBE ASSEMBLY, CONDENSER OUT	5211A21155A	R
552115	TUBE ASSEMBLY, MANIFOLD	5211A20895B	R
552116	TUBE ASSEMBLY,REVERSING	5211A20896A	R
552201	VALVE, CHECK	5220A30004A	R
552203-1	VALVE,SERVICE(Ø9, 52)	5220A20001K	R
552203-2	VALVE,SERVICE (Ø6, 35)	2H02479J	R
552204	VALVE, SOLENOID (BODY)	5220A90002C	R
554031	CONDENSER ASSEMBLY,BENT	5403A20168B	R
554160	COMPRESSOR (INVERTER)	5416A90015A	R
554161	COMPRESSOR (CONSTANT)	5416A90021A	R
558511	DRIER ASSEMBLY	5851A30004A	R
559010	FAN ASSEMBLY,PROPELLER	5901A10033A	R
561410	VALVE, EXPANSION (BODY)	6140A90001K	R
561410-1	COIL ASSEMBLY,REVERSING VALVE	6877A20052A	R
561410-2	COIL ASSEMBLY SOLENOID (P/ICE)	6877A20052B	R
561410-3	COIL ASSEMBLY SOLENOID (OIL/S)	6877A20052C	R
561411-1	COIL ASSEMBLY,EXPANSION (A)	6877A20050F	R
561411-2	COIL ASSEMBLY,EXPANSION (B)	6877A20050G	R
561411-3	COIL ASSEMBLY,EXPANSION (C)	6877A20050H	R
561411-4	COIL ASSEMBLY,EXPANSION (D)	6877A20050J	R
566000	SWITCH, PRESSURE (LOW)	3A02524F	R
649950	CONTROL BOX ASSEMBLY,OUTDOOR	4995A10101C	R
658740	REACTOR	5874A90003E	R
668711	PWB(PCB) ASSEMBLY,MAIN(OUTDOOR)	6871A10117D	R
668713	PWB(PCB) ASSEMBLY, SUB (CENTRAL CONTROL)	6871A20484A	Option
W0CZZ-1	CAPACITOR,DRAWING (COMP)	2A00986X	R
W0CZZ-2	CAPACITOR,DRAWING (FAN)	2H00660P	R